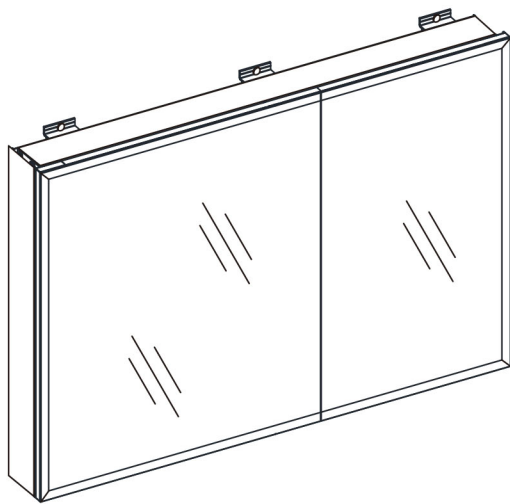
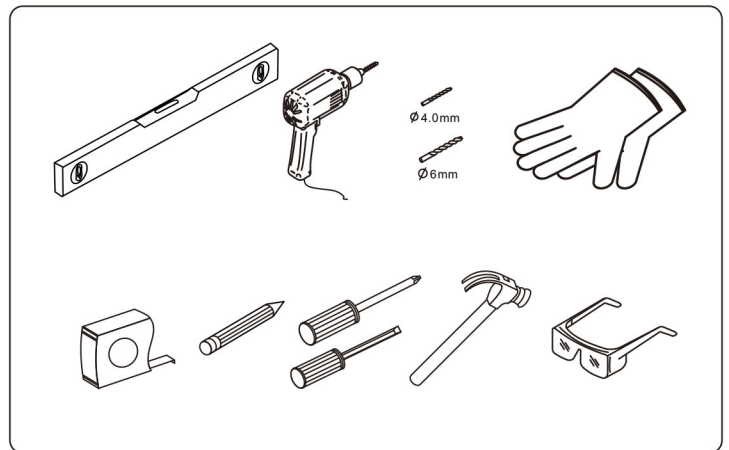


● Mirror diagram



● Tools required

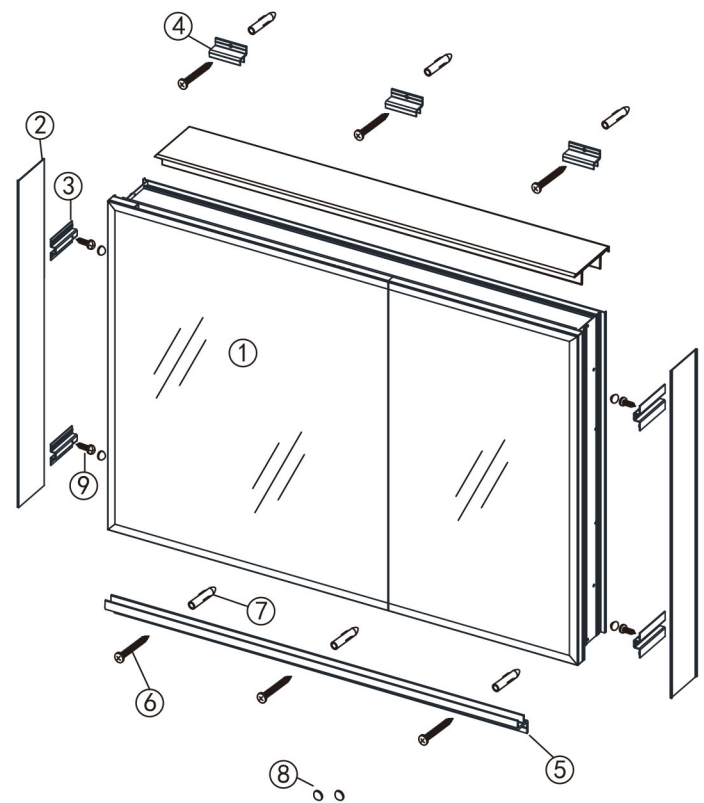
Two persons required for correct installation



● Before Installation

- Please read these instructions carefully before installation.
- Installation should be only carried out by a qualified professional.
- ENSURE THAT ELECTRICAL CONNECTIONS ARE TURNED OFF AT THE CONSUMER UNIT OR FUSE BOARD BEFORE INSTALLING OR CARRYING OUT ANY MAINTENANCE.
- Please take note of the Tools Required prior to commencement of any installation procedures.
- Follow the Installation Steps on Page 2 to ensure that the correct installation method is adhered to. Please also read all operating and safety instructions before commencing any installation to ensure complete understanding of the installation procedure.
- All information provided by these guidelines are based on the latest technical product information. We reserve the right to change the product characteristics, packaging or supply without prior notice.
- These guidelines include maintenance and cleaning advice.
- THIS PRODUCT IS FOR INDOOR USE ONLY.

● Material Statement



**WARNING:** There may be hidden dangers to people or product during installing. In order to avoid trapping fingers, please pay attention to the open and closed door position.

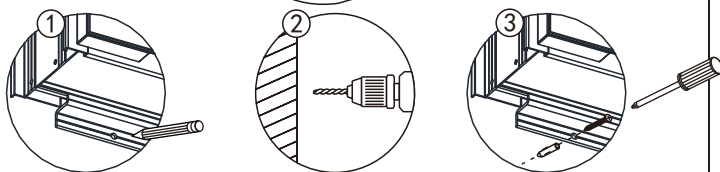
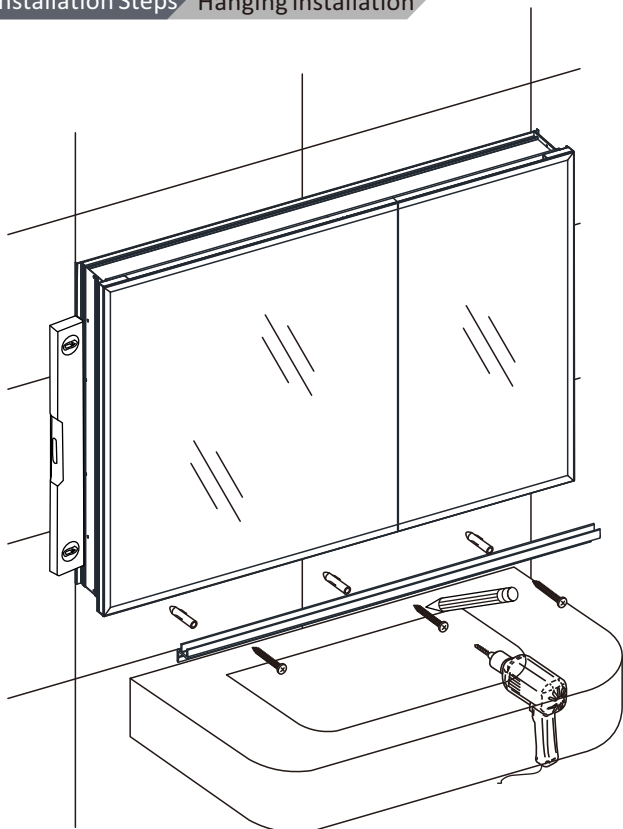
**WARNING:** Do not use any acidic or alkaline cleanser or alcohol on this product. Please clean with a damp soft cloth.

**WARNING:** Keep away from water and electricity when hanging on wall.

**IMPORTANT:** This product is a one-way hanging mirror. Please make sure that there are no obstacles (i.e. electrical cable / water pipework) inside the wall before commencing installation procedure.

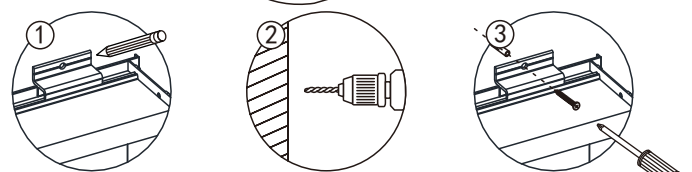
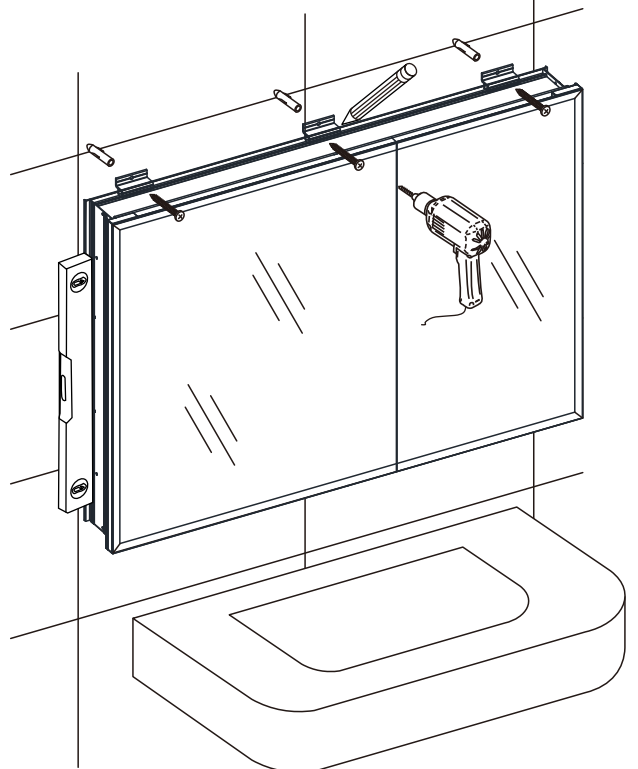
**WARNING:** This product is fragile - it should be installed by a professional person with suitable protective equipment, as listed in the Tools Required above.

- |                        |                        |                       |
|------------------------|------------------------|-----------------------|
| [1] Mirror cabinet 1pc | [2] Side panel 2pcs    | [3] Holder 4pcs       |
| [4] Upper bracket 3pcs | [5] Bottom bracket 1pc | [6] ST4*35 screw 6pcs |
| [7] Wall plus 6pcs     | [8] Screw cap 6pcs     | [9] ST4*8 screw 4pcs  |
| [10] Cover plate 1pc   |                        |                       |



1. Mark holes based on the desired location, then drill holes and fix mounting bar on the wall

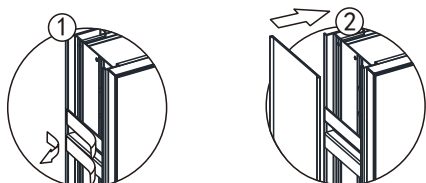
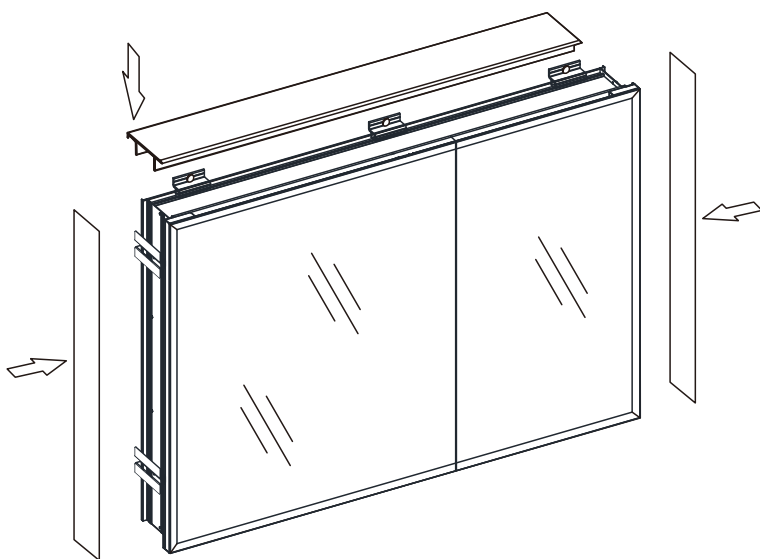
3. Insert side kits as picture



2. Put the cabinet on the mounting bar, insert the top clips on the top of cabinet, fix it with screw

4. Adjust door position accordingly.

●STEP1 ●STEP2  
●STEP3 ●STEP4



Tear the tape

