

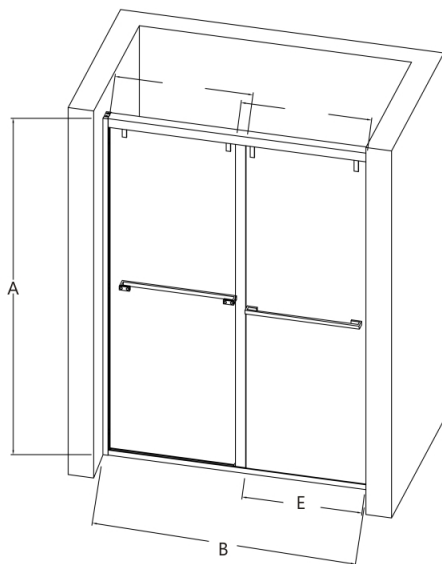


AC88 Bypass Sliding Door

Frame Type	Door Opening	/	Glass Thickness	Hardware Finish	Hardware Materials
Frame / JetGlaze	Bypass Sliding Door	/	(3/8") 10MM	Matte Black	304 Stainless Steel
Certified Glass	iStyle Exclusive KlearTekk	Adjustment Width	Threshold	Regular Maintenance	Warranty
Certified SGCC/ANSI/CAN /CGSB/CFR Tempered Clear Safety Glass	Resistant Glass Coating / Repels Water Mark / Leaves NO Water Mark / Clean Looking	Stainless Steel Top and Bottom Guide Trimmed Up to 5"	Minimum 3" Threshold Depth (Saddle) for proper installation	Non-abusive chemical, Spray with vinegar + water, Rinse off with clean water. Dry with Squeegee.	10 Years Limited Warranty. See details on bottom.

10 Year Limited Warranty on all hardware parts. Excluded tempered glass, damage incurred during installation, labor & shipping fee.
One Year Limited Warranty On Matte Black Color Coating. Excluded tempered glass, damage incurred during installation, labor & shipping fee.

Configuration



Bypass Sliding

Additional Features



Model#	B (Width) x A (Height)	Color	Glass Thickness	MSRP	E: Entrance Opening
AC88-4876MB	44"-48" Width x 76"Height	Matte Black	(3/8")10MM	\$1450	E: 18"-22-1/3"
AC88-5476MB	49"-54" Width x 76"Height	Matte Black	(3/8")10MM	\$1450	E: 20"-25"
AC88-6076MB	55"-60" Width x 76"Height	Matte Black	(3/8")10MM	\$1450	E: 23"-28"
Tub Door AC88-6060MB	55"-60" Width x 60"Height	Matte Black	(3/8")10MM	\$1450	E: 23"-28"