

Hybrid™ 6'x8'

Approx. Dim.

247L x 185W x 208H cm / 97.2"L x 72.8"W x 81.9"H



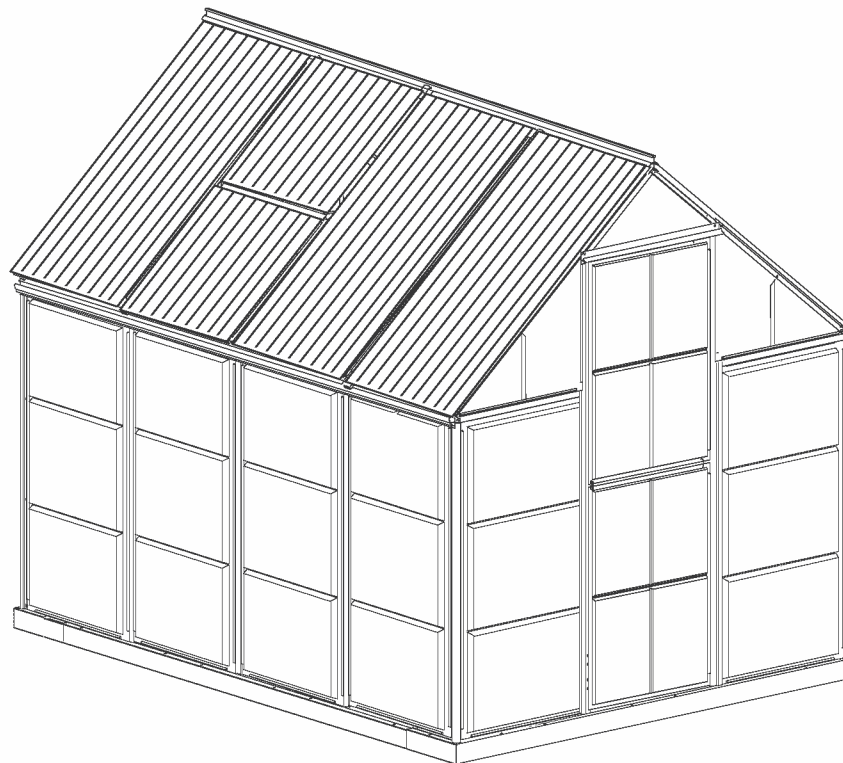
Snow Load

75kg/m²
15lbs/ft²



Wind Resistance

90km/hr
55mi/hr





After Sale Service

@ customer.service@palram.com



USA ----- 877-627-8476

England ----- 01302-380775

France ----- 0169-791-094

Canada ----- 1-800-866-5749

Germany ----- 0180-522-8778

International ----- +972 4-848-6942

IMPORTANT

Please read these instructions carefully before you start to assemble this greenhouse.
Keep these instructions in a safe place for future reference.

» Customer Service

For assistance with assembly or for replacement parts – please log onto our website or call our service line (number is on the title page).

Additional information can be found at our website: www.palramapplications.com

» Safety Advice

- It is of utmost importance to assemble all of the parts according to the directions. Do not skip any step.
- We strongly recommend using work gloves during assembly.
- Always wear shoes and safety goggles when working with extruded aluminium.
- If using a step ladder or power tools ensure that you follow the manufacturer's safety advice.
- Do not touch overhead power cables with the aluminium profiles.
- Do not attempt to assemble the greenhouse in windy or wet conditions.
- Dispose of all plastic bags. Keep them out of reach of small children.
- Keep children away from the assembly area.
- Do not lean against or push the greenhouse during construction.
- Do not position your greenhouse in an area exposed to excessive wind.
- Do not attempt to assemble this greenhouse if you are tired, have taken drugs or alcohol or if you are prone to dizzy spells.
- Hot items such as recently used grills, blowtorches etc. must not be stored in the greenhouse. Ensure there are no hidden pipes or cables in the ground before inserting the pegs.
- This product was designed to be used mainly as a **Greenhouse**.

» Care & Maintenance

When your greenhouse needs to be cleaned, use a mild detergent solution and rinse with cold clean water. DO NOT use acetone, abrasive cleaners or other special detergents to clean the clear panels. It is recommended to check periodically that roof panels caps (plastic part 329 & profile 981) are set in place.

» Tools & Equipment

- Tape measure
- Work gloves
- Silicone spray / Lubricant
- Phillips head screwdriver
- Leveler
- Rubber mallet
- Adjustable Spanner / Wrench
- T001 - Special tool for Screws 411 and nuts 412



» Before Assembly

- ☑ Selecting a site:
 - The greenhouse must be positioned and fixed on a flat level surface.
 - Choose a sunny position away from overhanging trees.
- ☑ We strongly recommend this greenhouse being secured directly to a solid concrete foundation. When doing that use the pre drilled holes in the metal base.
- ☑ This is a multi-part assembly best achieved by two people. Allow at least a half a day for the assembly process.
- ☑ Take all components & parts out of the packages. Sort the parts and check against the contents parts list. Parts should be laid out close at hand. Keep all small parts (screws etc.) in a bowl so they do not get lost.
- ☑ Please note multi-sided profiles are used in this greenhouse. As a result some holes in the profiles are not used during assembly.
- ☑ Please review entire instructions before starting. Carry out the assembly steps in exact order.

» Notes During Assembly

- You may use Silicon lubricant spray in order to help you slide the panels into the profiles.
- Do not spray the Polycarbonate panels.
- Use a rubber mallet if necessary.

i During assembly you will encounter the information icon, please refer to the relevant assembly step for additional comments and assistance.

Step 6: Determines the front side of the greenhouse.
Steps 10, 16, 19: The oval hole in the crossbars. **256** should always be assembled to the base of the greenhouse.

Steps 12-13, 56: In order to insert profile **#8378** in between two **#7311** profiles, please apply silicone lubricant.

Door assembly (Steps 14, 54-62)

Door can be installed as a left hand door or right hand door to your decision. These instructions show a right hand door assembly.

Step 14: Determines door direction door post **7311** is where door hinges will be located.

Steps 54-62: Door assembly should be done according to this decision.

Window assembly (Steps 38, 38+39, 53)

Step 38: Decide on the window's location before assembly. Window can be installed in one of the indicated options.

Steps 38+39: Once the window location is chosen, please turn part **7316** into the correct position accordingly.

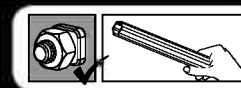
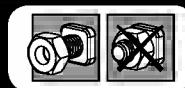
Step 53: In case the window is not closed properly, please go to **Step 41b**, release the screws, adjust the profile and tighten the screw.

⚠ Important Recommendations

- **Firmly connect the greenhouse to a level position immediately after completion of the assembly.**
- **In order to anchor the greenhouse use the designated manufacturer anchoring kit.**
- **Anchoring the greenhouse can also be done by drilling the base profiles and fastening it to the ground using ground screws or spikes (screws and spikes are not supplied).**
- **Tighten all screws once assembly is completed.**
- **Please note: Anchoring this product to the ground is essential to its stability and rigidity. It is required to complete this stage in order for your warranty to be valid.**

Screws 411 and nuts 412 are used throughout the assembly process.

- Screws 411 are to be assembled from the outside and nuts 412 from the inside of the greenhouse.
- Do not fasten screws and nuts (411 & 412) more than 23- turns only. Do not tighten them until completion of the panels' assembly, if not specified otherwise.
- However, in some steps, temporary tightening of a few screws may be needed to prevent a profile from falling.



412



411



IMPORTANTE

Por favor, lea estas instrucciones cuidadosamente antes de empezar a montar este invernadero.

Mantenga estas instrucciones en un lugar seguro para referencia futura.

» Servicio de Ayuda al Cliente

Para obtener ayuda con el montaje o para las piezas de recambio - por favor entre a nuestro sitio web o llame a nuestra línea de servicio (el número está en la página de título).

Información adicional se puede encontrar en nuestro sitio web:
www.palramapplications.com

» Consejo de Seguridad

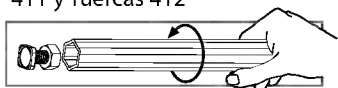
- Es de suma importancia montar todas las partes de acuerdo con las instrucciones. No se salte ningún paso.
- Recomendamos firmemente el uso de guantes de trabajo durante el montaje.
- Use siempre zapatos y gafas de seguridad al trabajar con aluminio extruido.
- Al usar una escalera plegable o herramientas eléctricas asegúrese de que sigue las instrucciones de seguridad de los fabricantes.
- No toque los cables eléctricos aéreos con los perfiles de aluminio.
- No intente montar el invernadero en días de viento o días con humedad.
- Disponga todas las bolsas plásticas en lugar seguro - guárdelas fuera del alcance de niños.
- Mantenga a los niños fuera del área de montaje.
- No se apoye ni empuje el invernadero durante la construcción.
- No coloque su invernadero en un área expuesta al viento excesivo.
- No intente montar este invernadero si usted está cansado, ha tomado drogas o alcohol o si usted es propenso a ataques de mareo.
- Artículos calientes recientemente usados tales como parrillas, sopletes etc. no deben ser almacenados en el invernadero. Asegúrese de que no haya ninguna tubería o cables ocultos en la tierra antes de insertar las clavijas.
- Este producto fue diseñado para ser utilizado principalmente como un invernadero.

» Cuidados & Mantenimiento

Cuando su invernadero necesite limpieza, utilice una solución detergente suave y enjuague con agua limpia fría. NO UTILICE acetona, limpiadores abrasivos u otros detergentes especiales para limpiar los paneles. Se recomienda comprobar periódicamente que los paneles del techo>taponos (parte de plástico 329 y perfil 981) están colocados en el lugar.

» Herramientas & Equipos

- Escalera plegable
- Llave inglesa ajustable/Llave inglesa
- Cinta métrica
- Nivelador
- Guantes de trabajo
- Martillo grande
- Lubricante
- Llave inglesa
- T001 – Herramienta especial para Tornillos 411 y Tuercas 412



» Antes del Montaje

- ☑ Seleccionar un lugar:
 - El invernadero debe colocarse y fijarse en una superficie plana y nivelada.
 - Escoja una ubicación soleada y apartada de árboles que la cubran.
- ☑ Recomendamos encarecidamente que el invernadero se fije directamente sobre cimientos de cemento sólido. Para hacer esto, utilice los agujeros previamente taladrados en la base de metal.
- ☑ Este montaje consta de varias partes y sería óptimo que lo realizaran dos personas. El proceso de montaje llevará alrededor de medio día.
- ☑ Extraiga todas las piezas de componentes de sus embalajes. Ordene las piezas y compruebe que están todas usando la lista de contenidos. Las piezas deberían colocarse cerca y tenerlas a mano. Ponga las piezas pequeñas (p. ej. tornillos) en un bol para no perderlas.
- ☑ Por favor, tenga en cuenta que este invernadero incluye perfiles con múltiples superficies. Como resultado, algunos de los agujeros de los perfiles no se utilizan durante el montaje.
- ☑ Por favor, revise todas las instrucciones antes de empezar. Siga los pasos del montaje en el orden exacto.

» Notas durante el montaje

- Puede utilizar spray lubricante de silicona para ayudarlo a deslizar los paneles en los perfiles.
- No aplique spray sobre los paneles de policarbonato.
- Utilice un mazo de goma si es necesario.



Cuando vea el icono de información, por favor, acuda al paso de montaje correspondiente para ver comentarios y asistencia adicional.

Paso 6: Determina el lado frontal del invernadero.

Los pasos 10, 16, 19: el agujero ovalado en las barras transversales. **256** siempre debe ser montado en la base del invernadero.

Pasos 12-13, 56: para introducir el perfil **8378** entre los dos perfiles **7311**, por favor, aplique silicona para lubricarlo.

Montaje de la puerta (Pasos 14, 54-62)

La puerta puede ser instalada a la izquierda o a la derecha según su decisión. Estas instrucciones muestran montaje de una puerta a derecha.

Paso 14: Determina la dirección de la puerta al lado 7311 es donde se encuentran las bisagras de la puerta.

Pasos 54-62: Montaje de la puerta se debe hacer de acuerdo con esta decisión.

Montaje de la ventana (Pasos 38, 38+39, 53)

Paso 38: decida la ubicación de la ventana antes del montaje. La ventana puede instalarse en una de las opciones indicadas.

Paso 38+ 39: Una vez que se elija la ubicación de la ventana, por favor, gire la pieza **7316** en la posición correcta en el mismo modo.

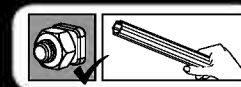
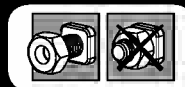
Paso 53: en el caso de que la ventana no cierre adecuadamente, por favor, extraiga los tornillos, ajuste el perfil y apriete los tornillos.

⚠ Recomendaciones importantes

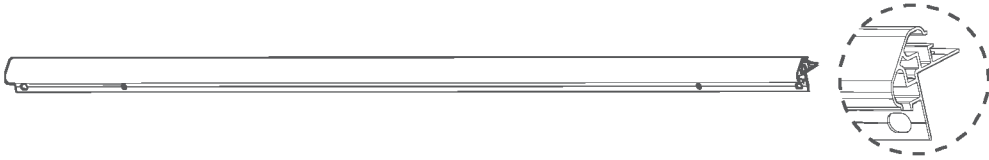
- **Ajuste firmemente el invernadero en una posición nivelada inmediatamente después de completar su montaje.**
- **Para anclar el invernadero, utilice el kit de anclaje indicado por el fabricante.**
- **También puede anclar el invernadero taladrando los perfiles de la base y atándolo al suelo mediante tornillos de tierra o estacas (tornillos y estacas no incluidos).**
- **Apriete todos los tornillos de montaje al completar.**
- **Por favor, tenga en cuenta: Anclar este producto al suelo es esencial para su estabilidad y rigidez. Es necesario completar esta fase para que su garantía sea válida.**

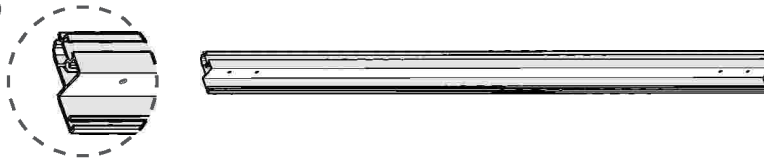
Los tornillos 411 y las tuercas 412 son usados durante todo el proceso de montaje.



- Los tornillos 411 deben ser montados desde el exterior y las tuercas 412 desde el interior del invernadero.
- No apriete los tornillos y tuercas (411 y 412) más de 23- vueltas. No los apriete hasta terminar el montaje de los paneles, a menos que orientado de otra manera.
- Sin embargo, en algún paso puede ser necesario apretar de forma temporal algunos tornillos para evitar que se caiga un perfil.

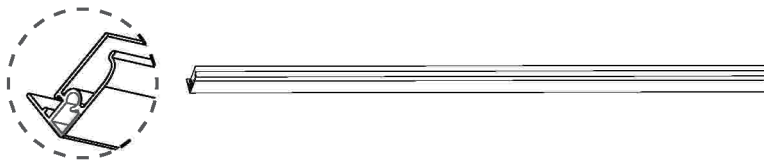


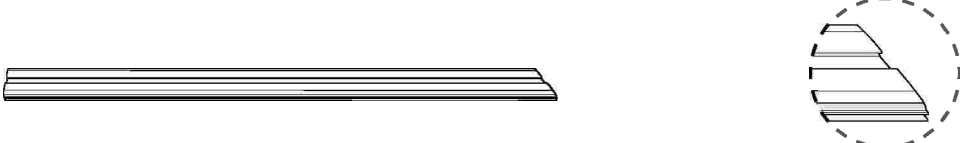
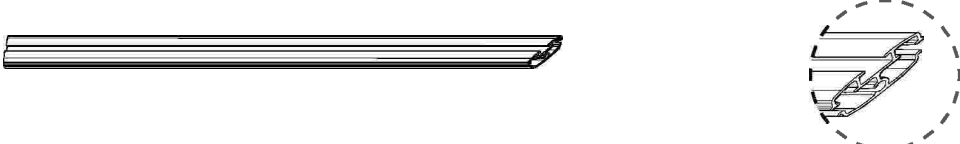
Contents

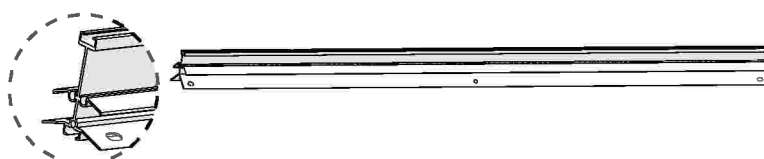
Item		Qty.
996		8

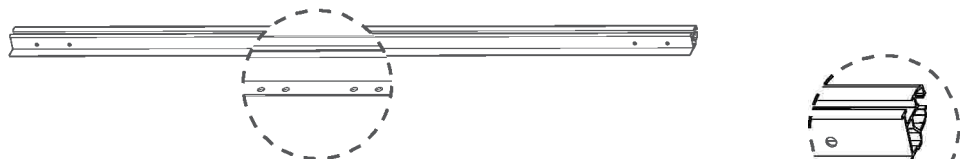

Item		Qty.
7309		4

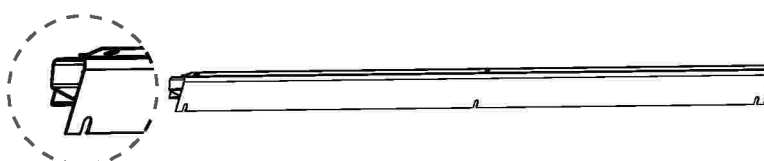
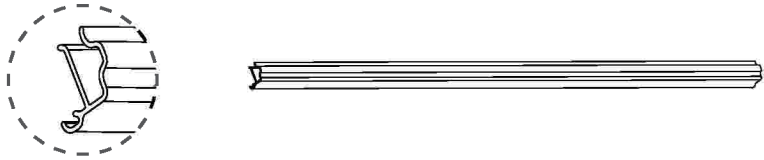
983		1
993		14


992		2
-----	---	---


7312		1
7313		1

977		2
-----	---	---

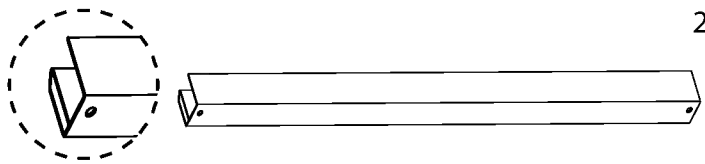
7311		2
7310		2


976		4
981		8

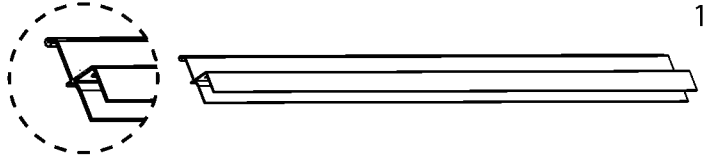
256		8
-----	--	---

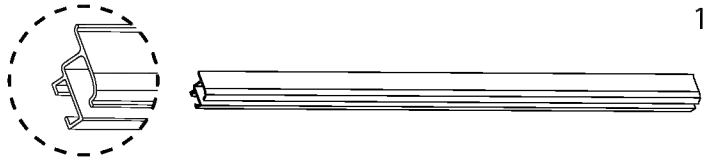
999		5
-----	---	---

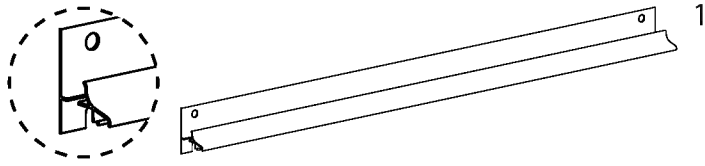
Contents


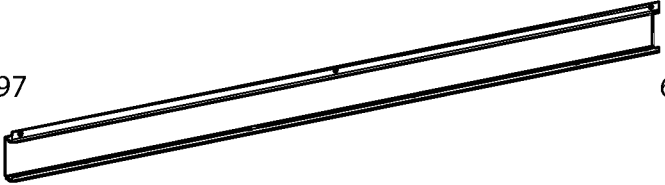
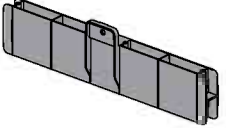
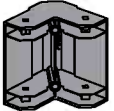
Item		Qty.
984		2

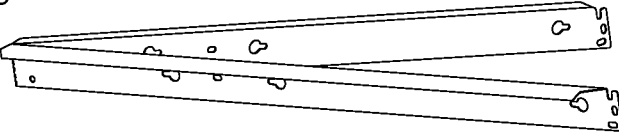
991		1
-----	---	---

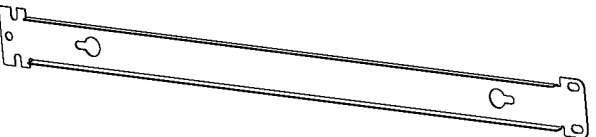
989		1
-----	---	---

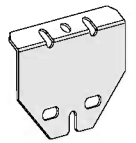
990		1
-----	--	---

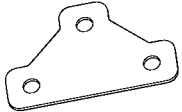
986		1
-----	---	---

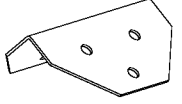
Item		Qty.
7596		2
7597		6
8447		4
7602		4

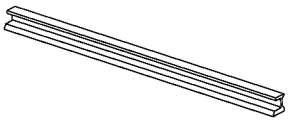
955		1
-----	---	---

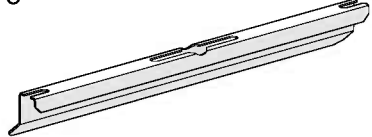
286		2
-----	---	---

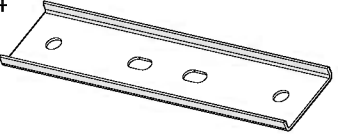
08		2
----	---	---


288		3
-----	---	---

07		1
----	---	---

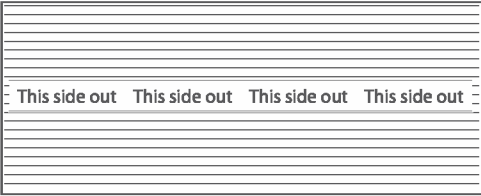
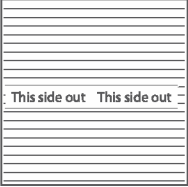

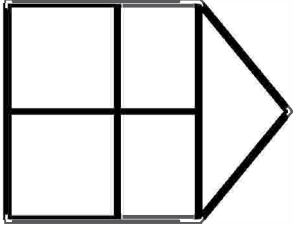
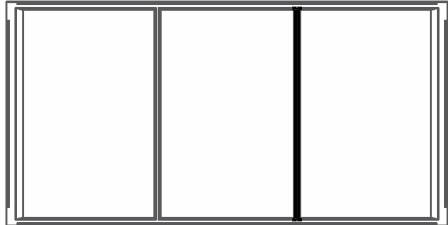
8378		4
------	---	---

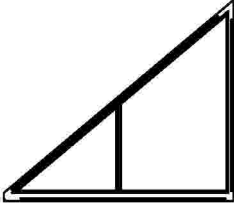
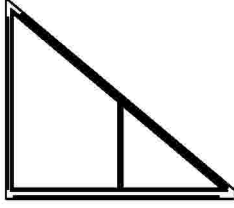
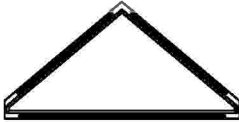


7316		1
------	---	---

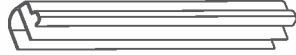

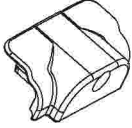
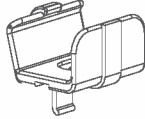
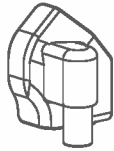
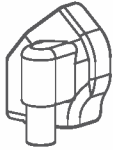
7314		2
------	---	---


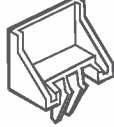
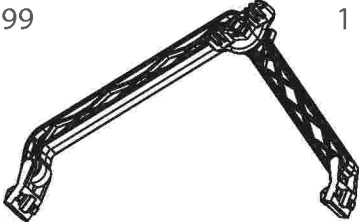
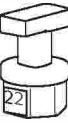
956		1
-----	---	---

Contents

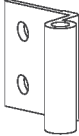


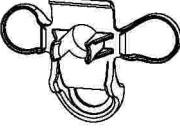
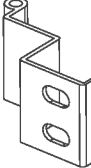

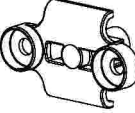





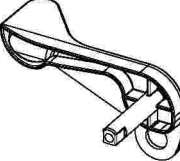
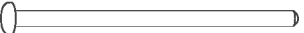


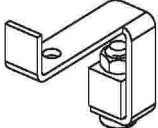


Item		Qty.
581		7
586		2
567		2
553		1
7011		13

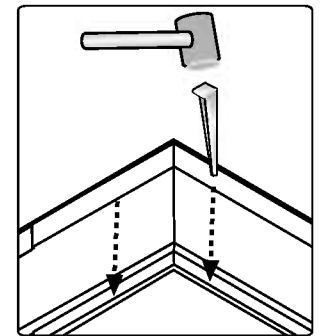
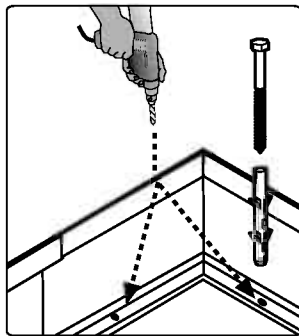
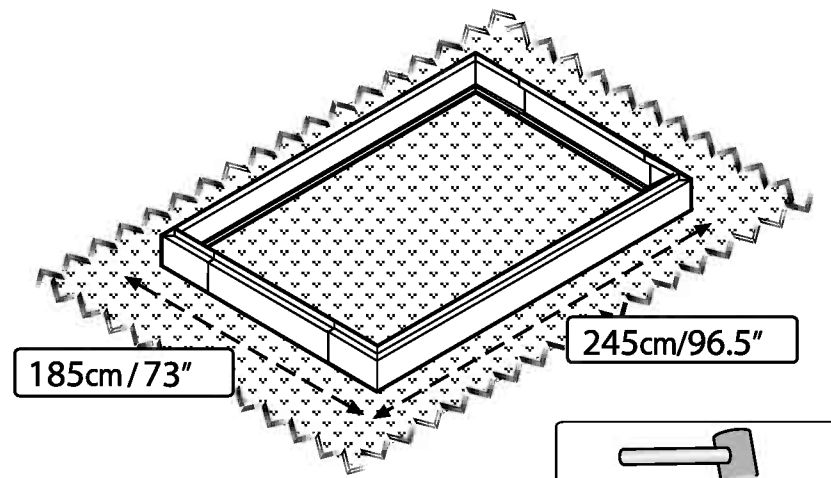
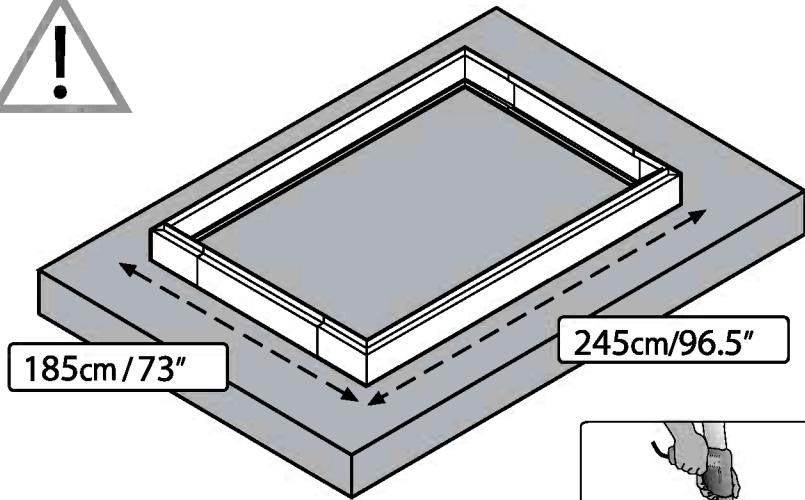
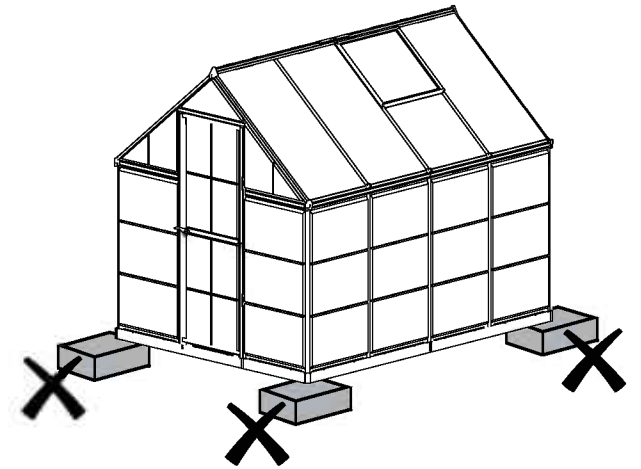
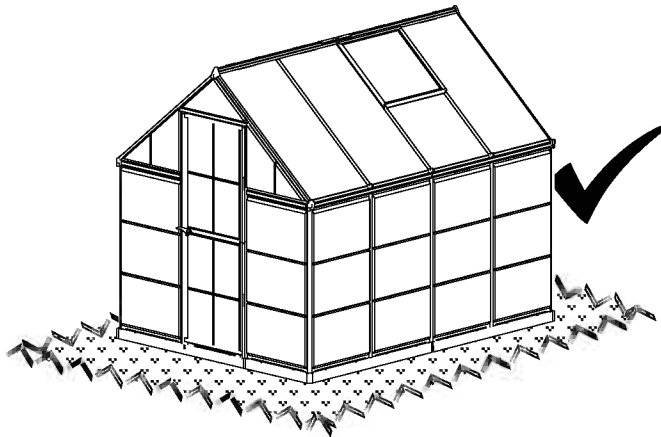
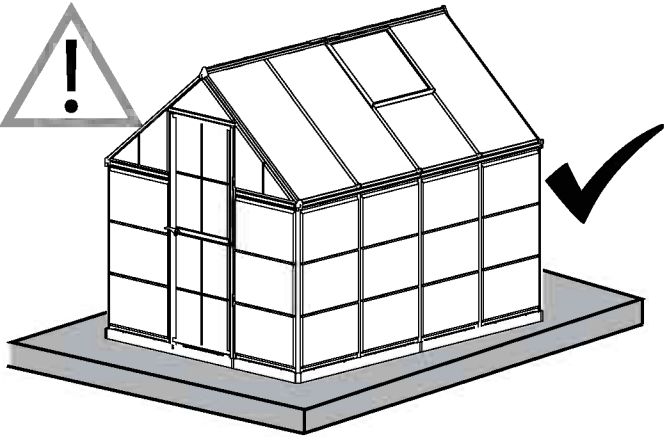
Item		Qty.
559		2
560		2
570		1
3017		2
3016		1

Item		Qty.
318 PVC		15 (+1)
7009		2 (+1)
329		6
292		2
344 L		2
344 R		2

Item		Qty.
343		2
328		19 (+8)
99		1
22		2

Contents

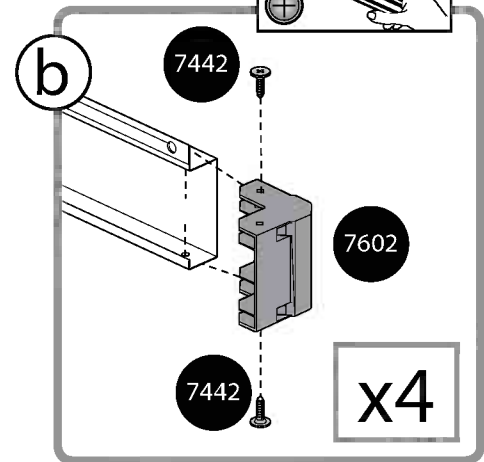
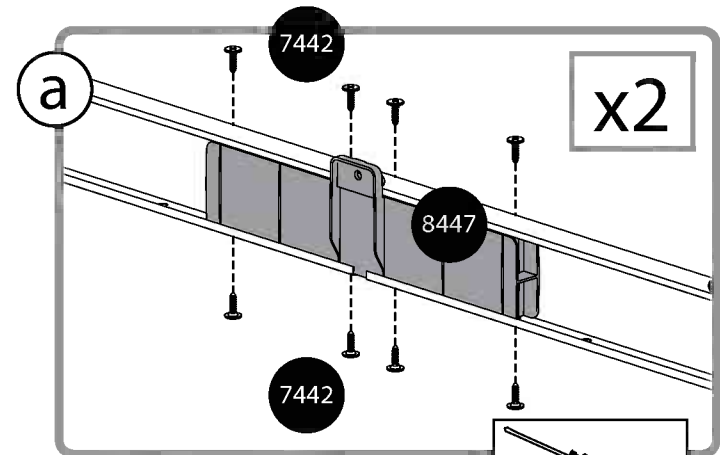
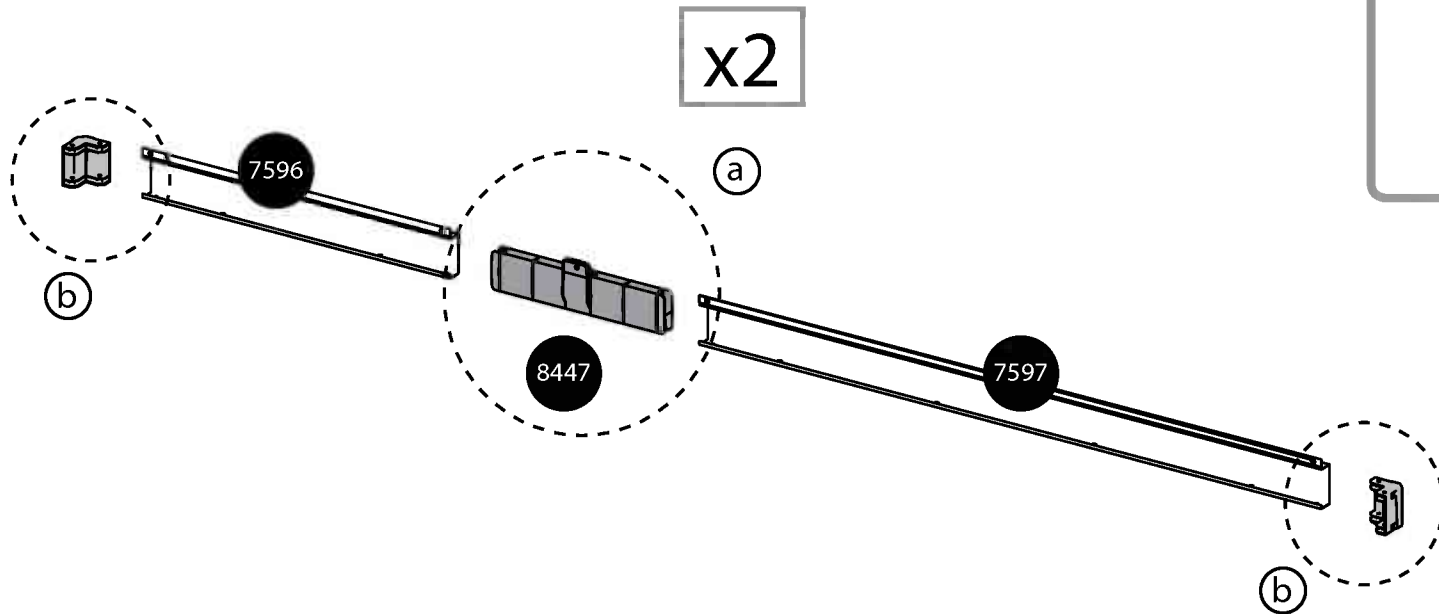
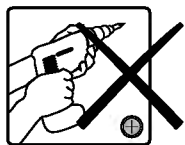
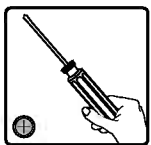
Item	Qty.	Item	Qty.	Item	Qty.	Item	Qty.
464	4	411	128 (+7)	T 100	1	7086	1
							
462	2	412	128 (+7)			7085	1
							
465	8 (+1)	4008	10 (+1)			7084	1
							
422	8 (+1)	4045	16 (+2)			7083	1
							
463	2	7442	52 (+3)			7088	1
						 M4 x 50 mm	
4037	1	4043	6 (+1)			423	1
							

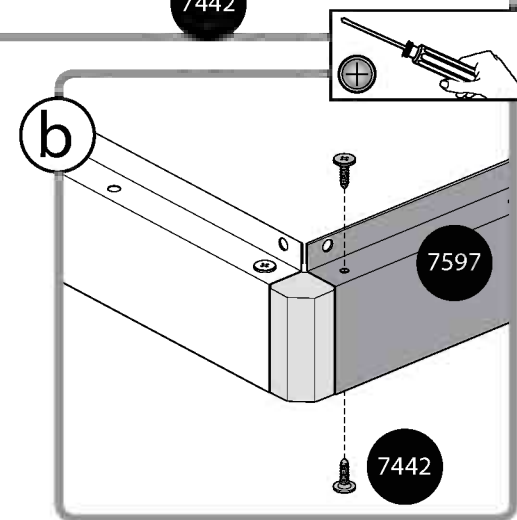
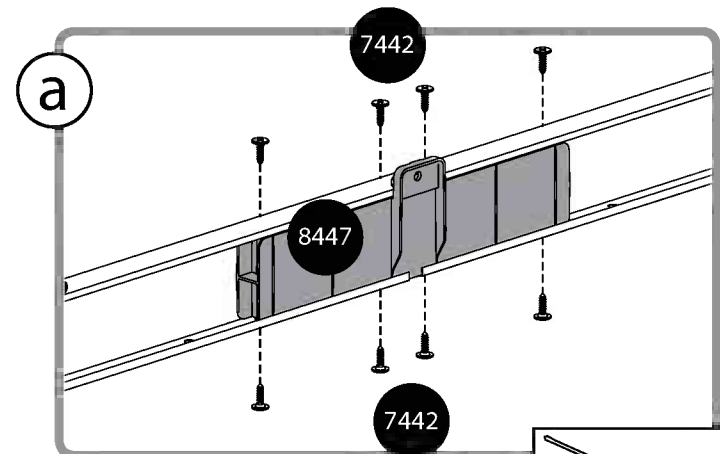
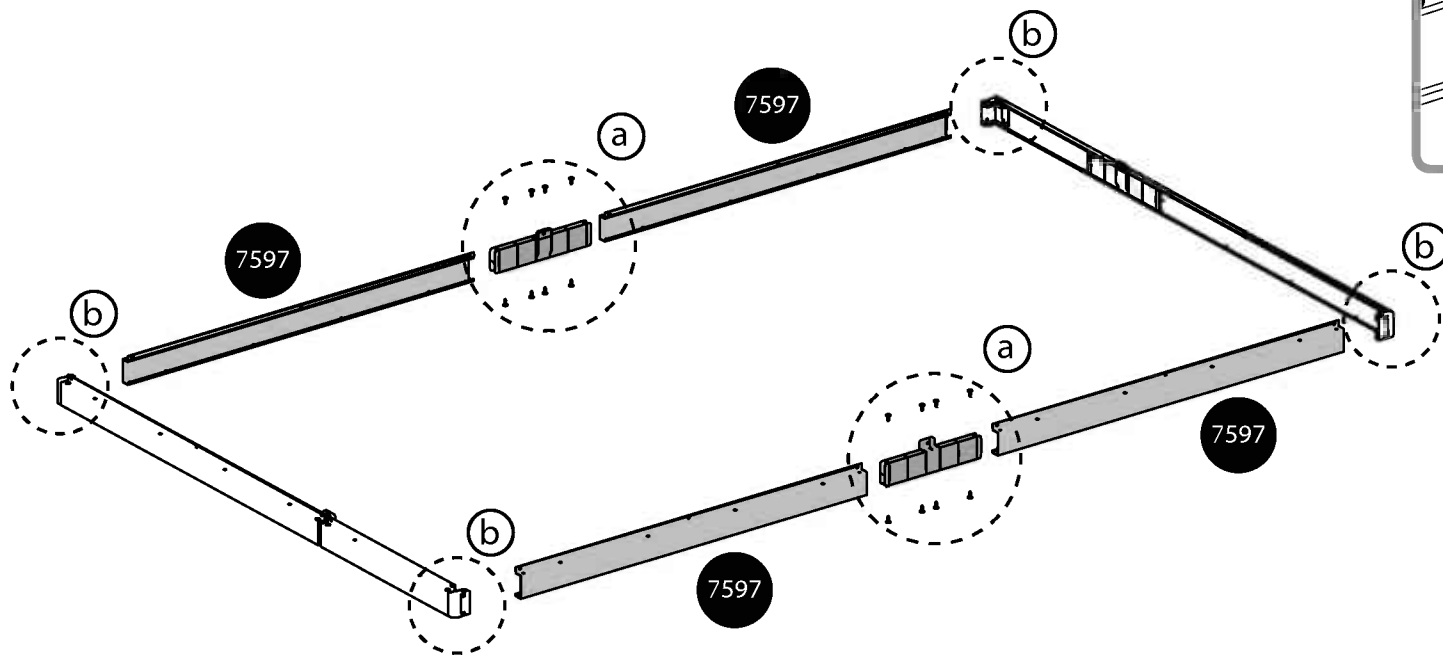
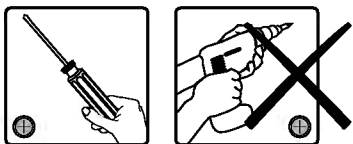
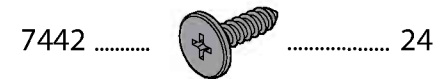
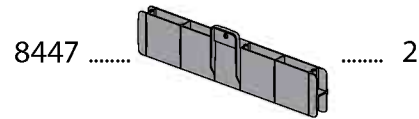
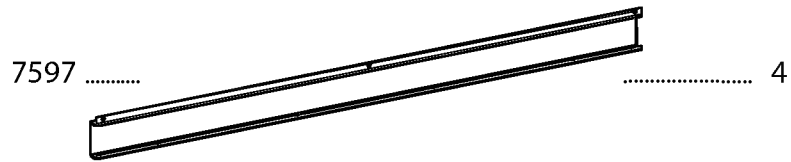


1

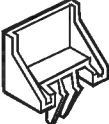


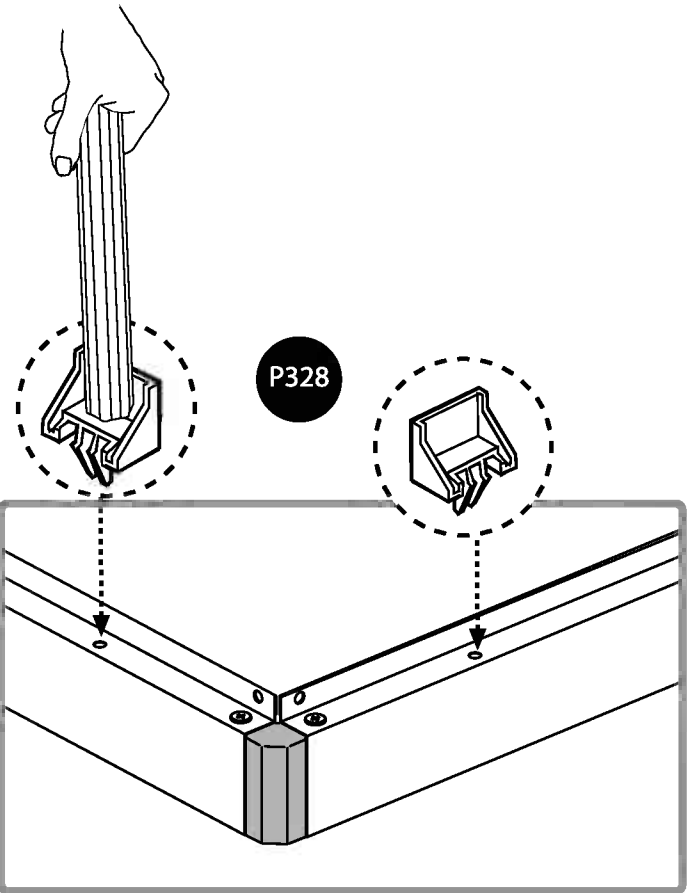
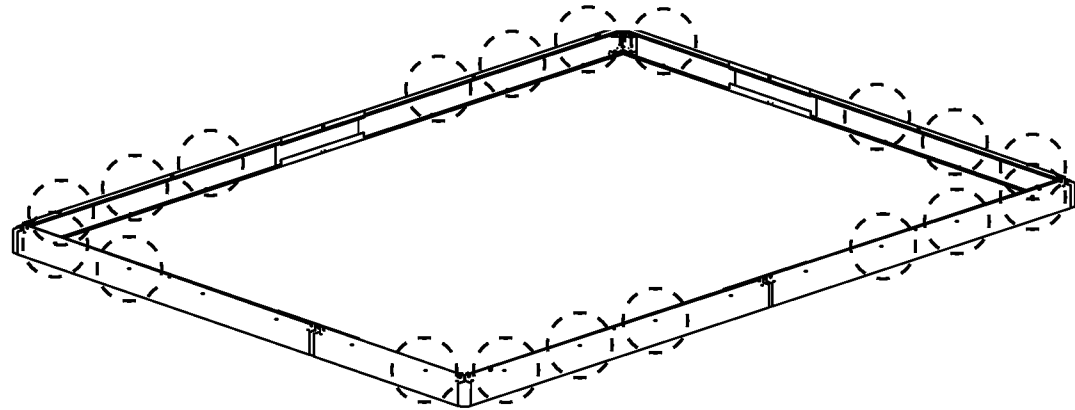
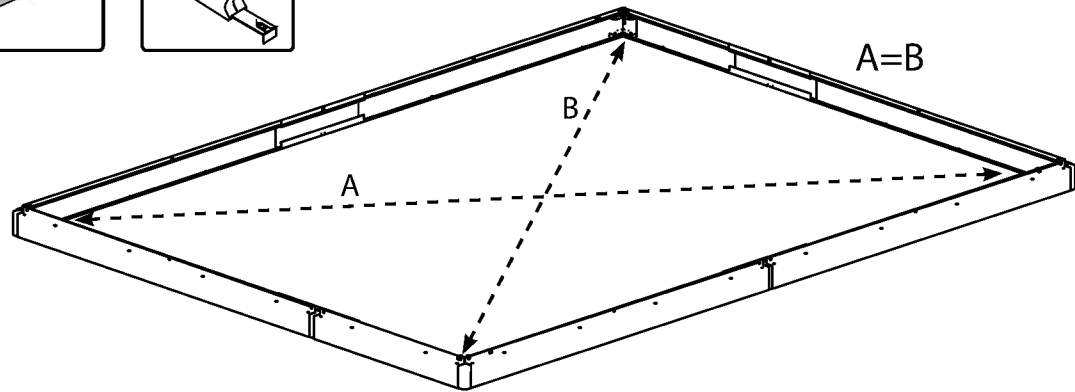
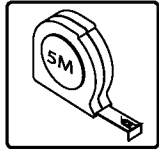
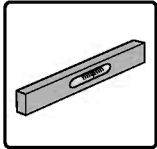
- 7596 2
- 7597 2
- 8447 2
- 7602 4
- 7442 24

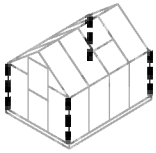






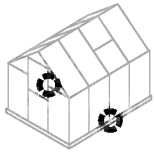
328 19






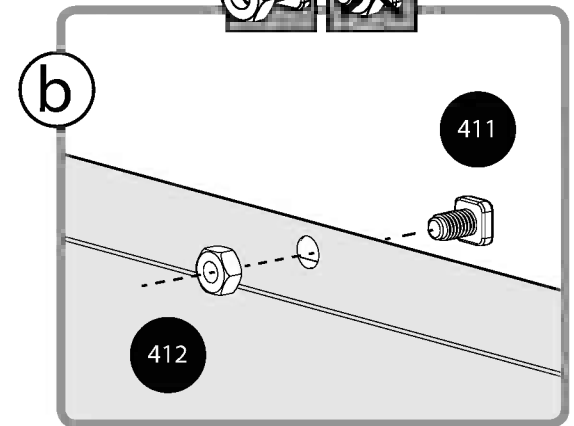
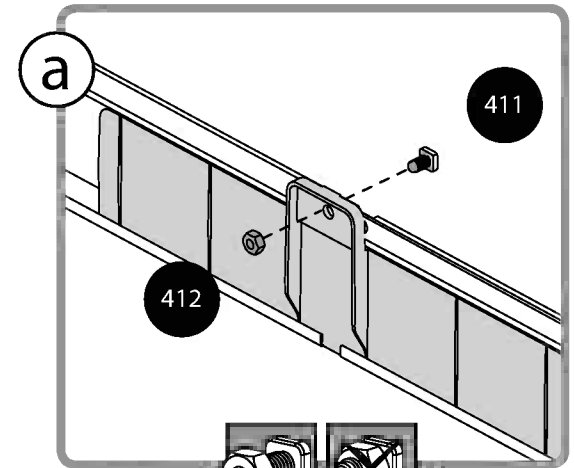
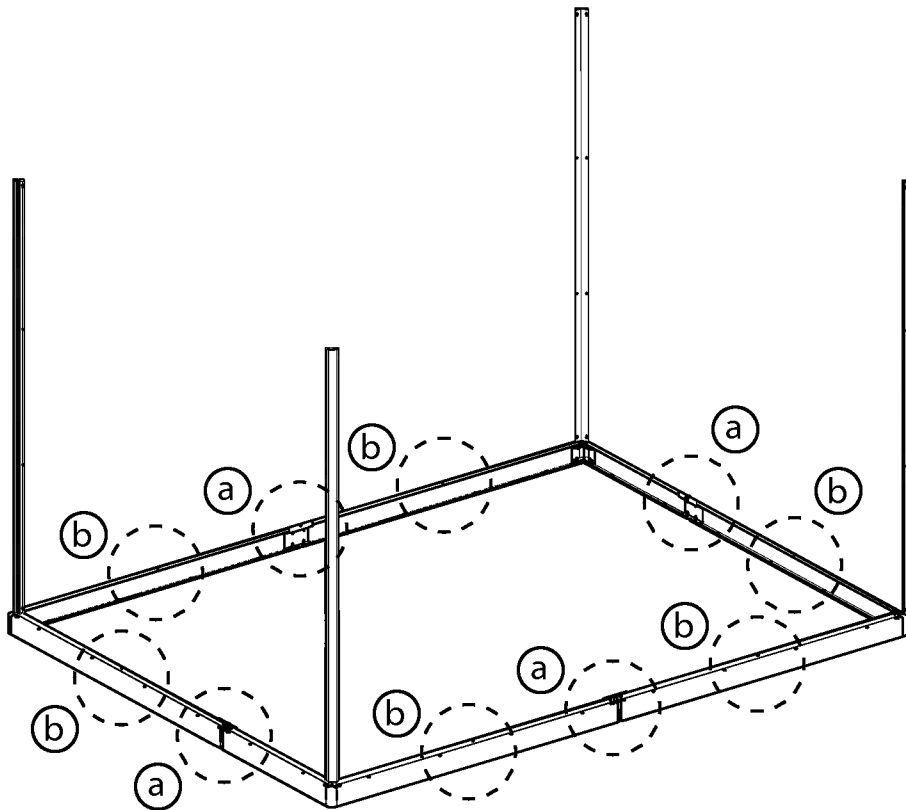
411 8 412 8 996 4

a

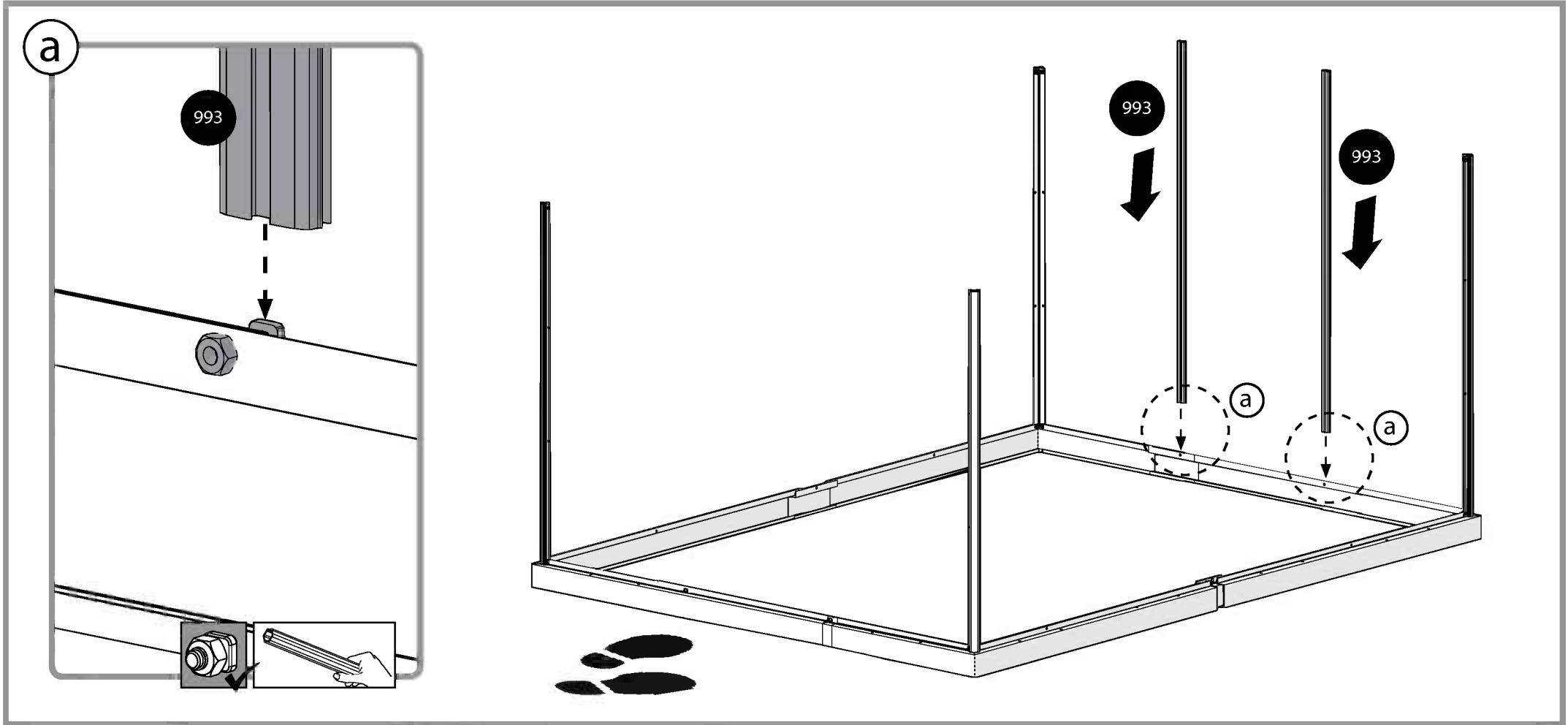
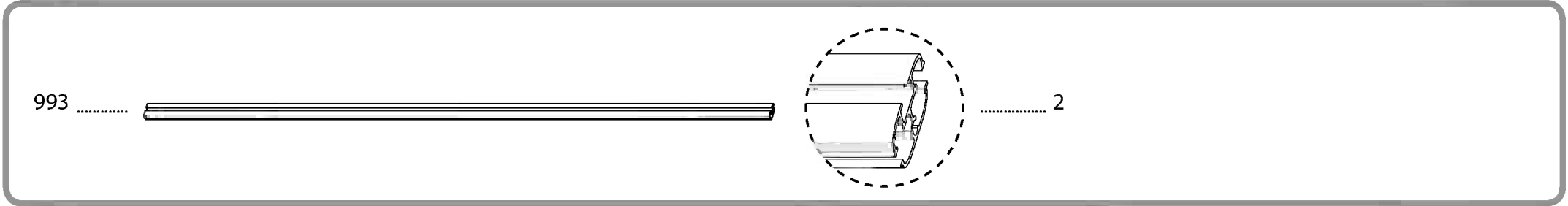
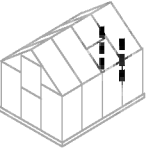


411  10

412  10



6 **i**





955 1

956 1

411 4

412 4

955

956

411

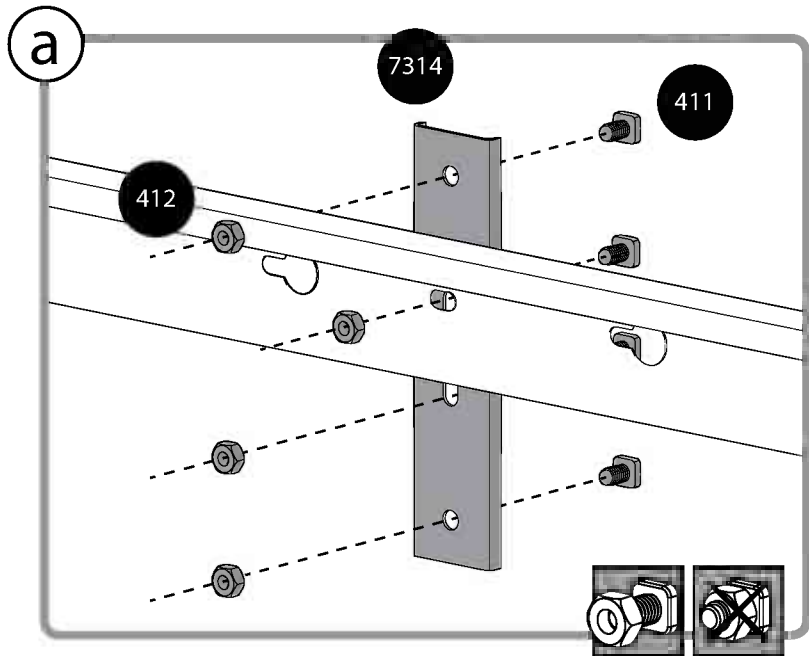
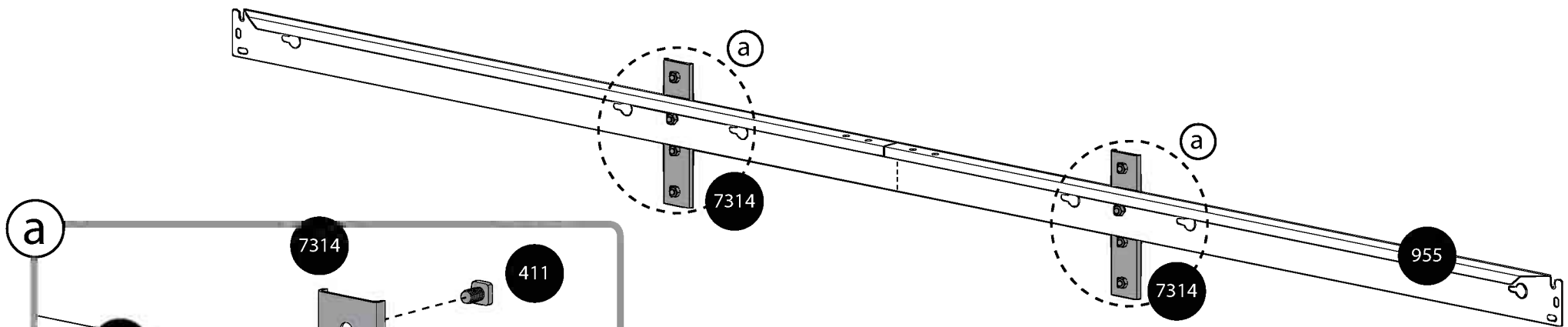
412

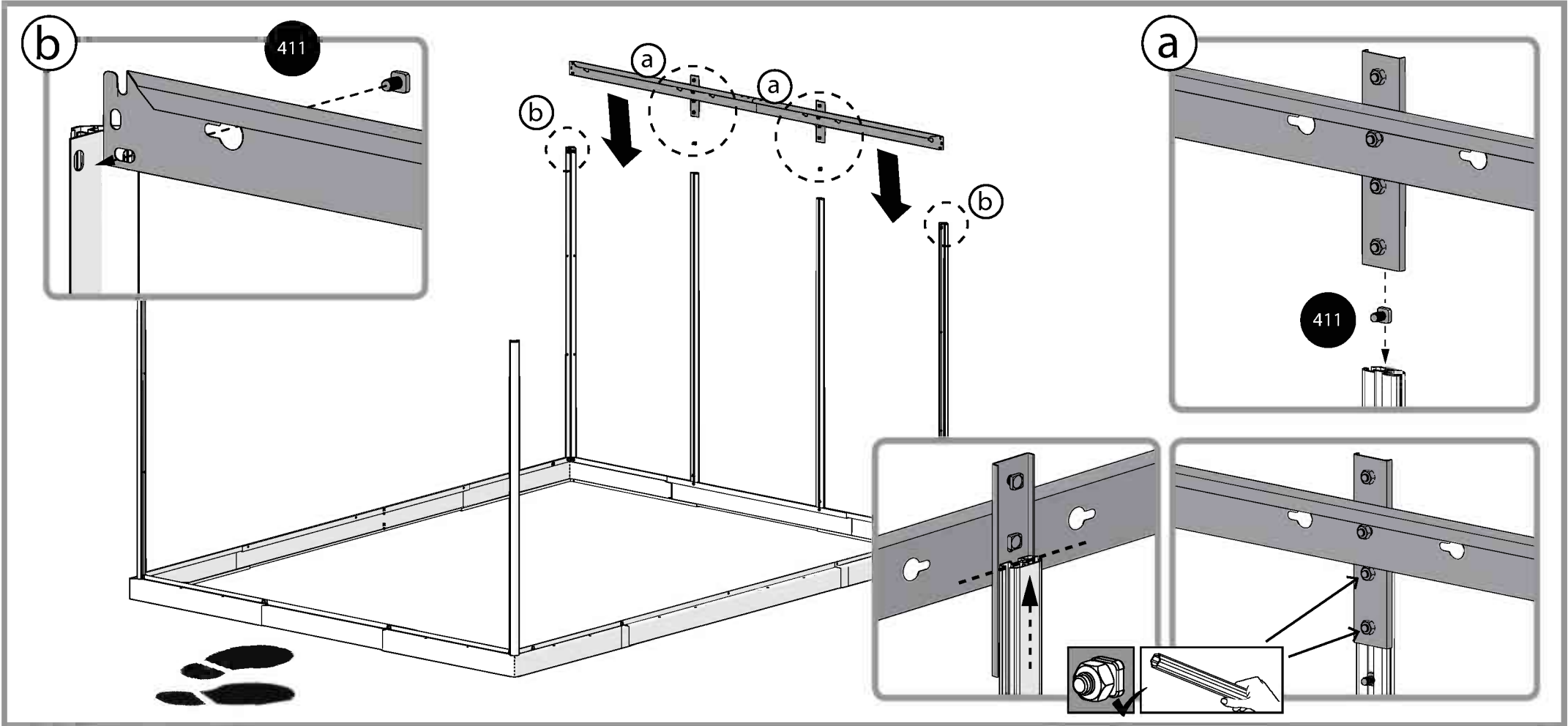
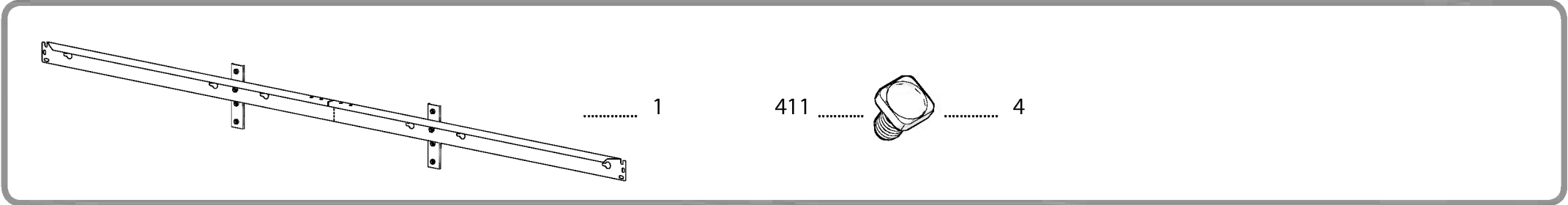


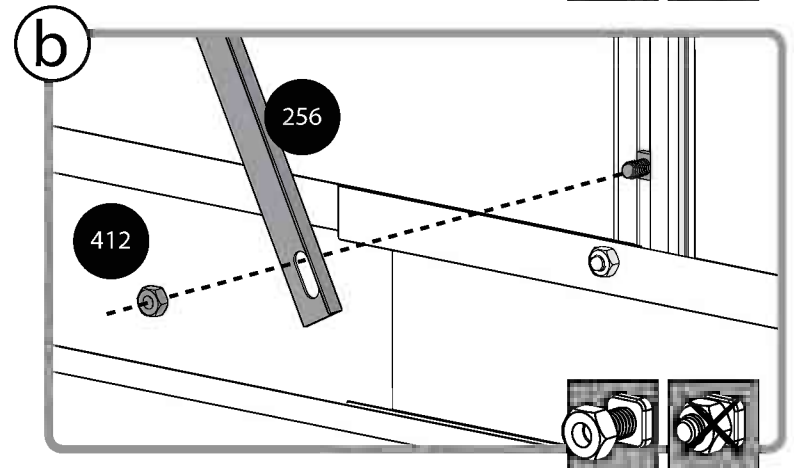
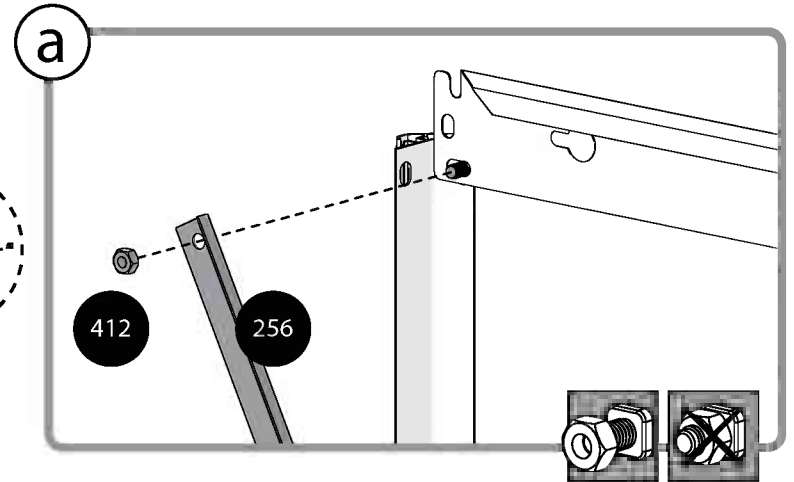
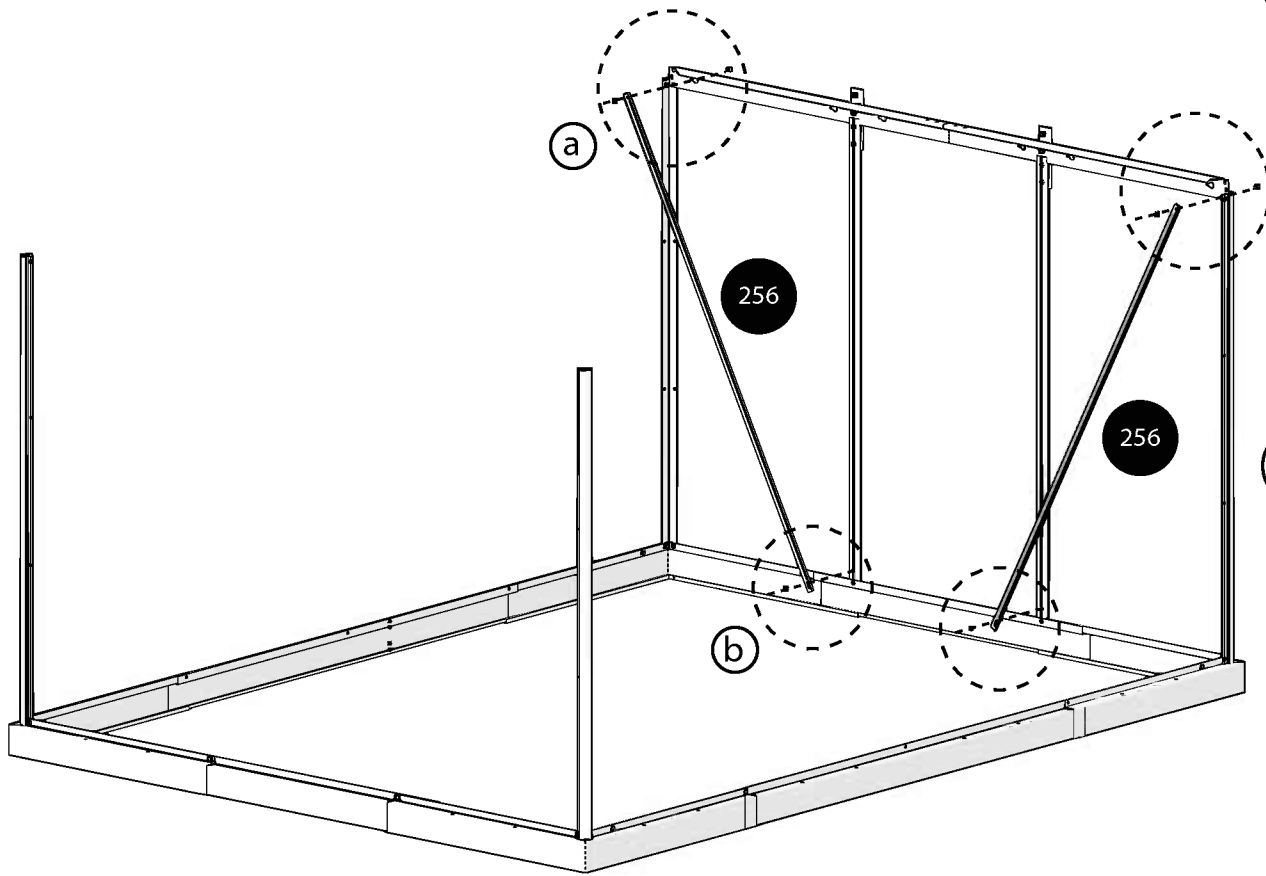
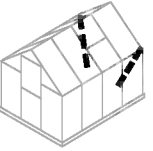
7314..... 2

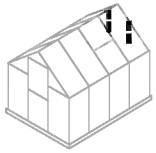
411 8

412 8



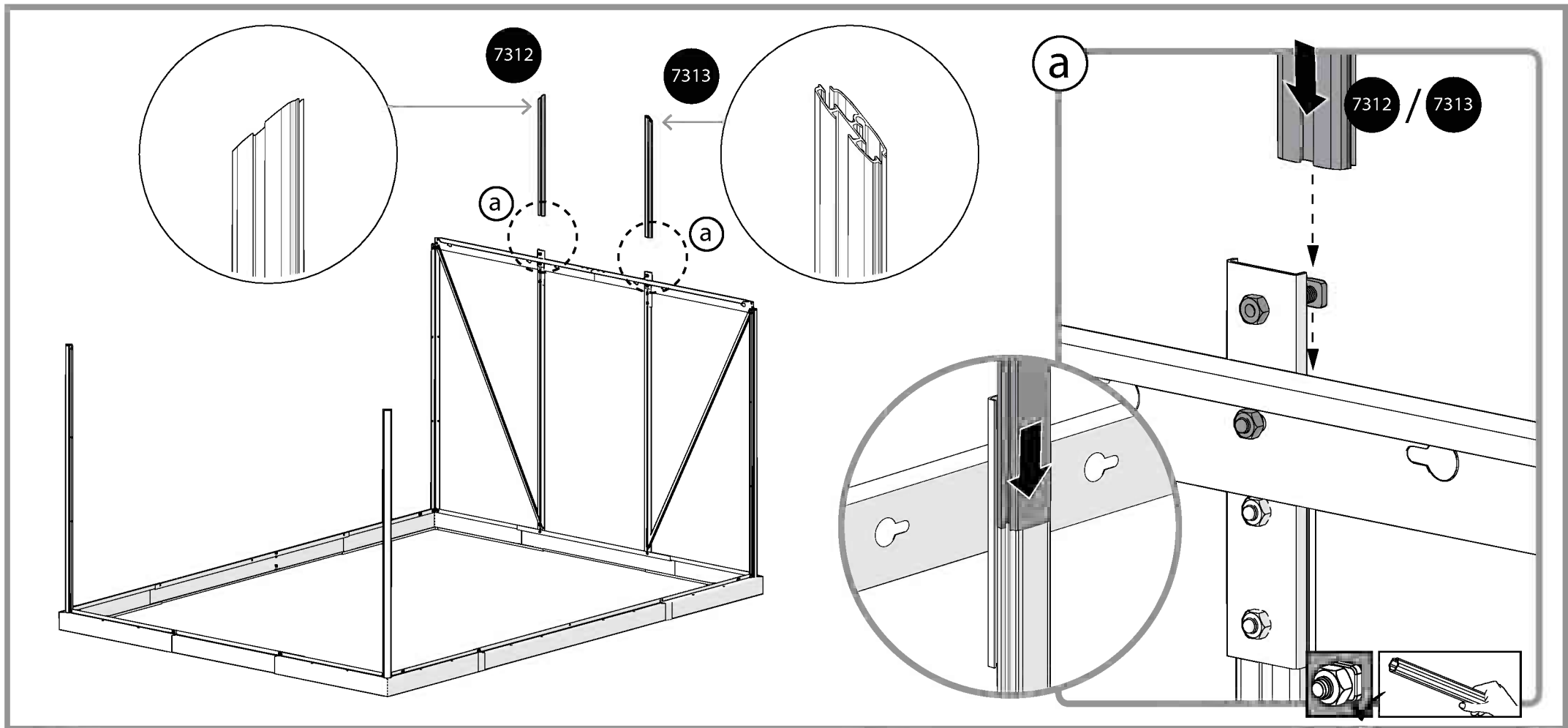


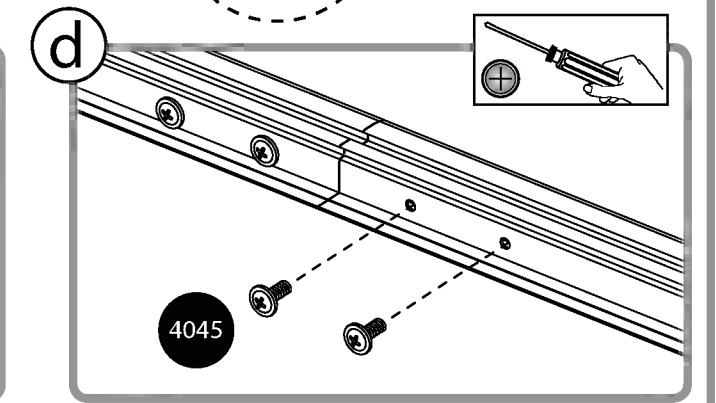
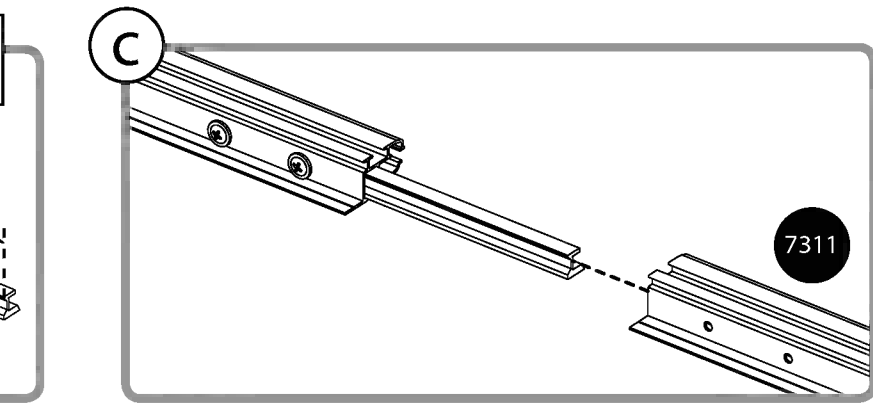
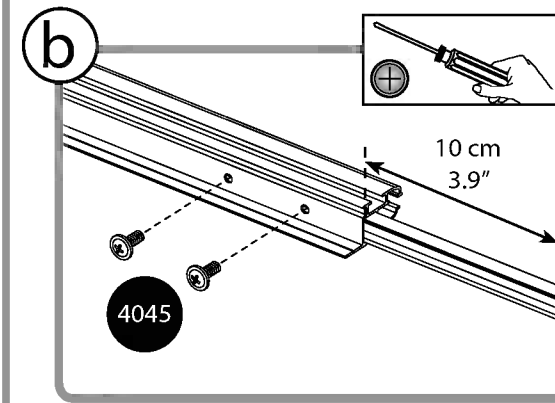
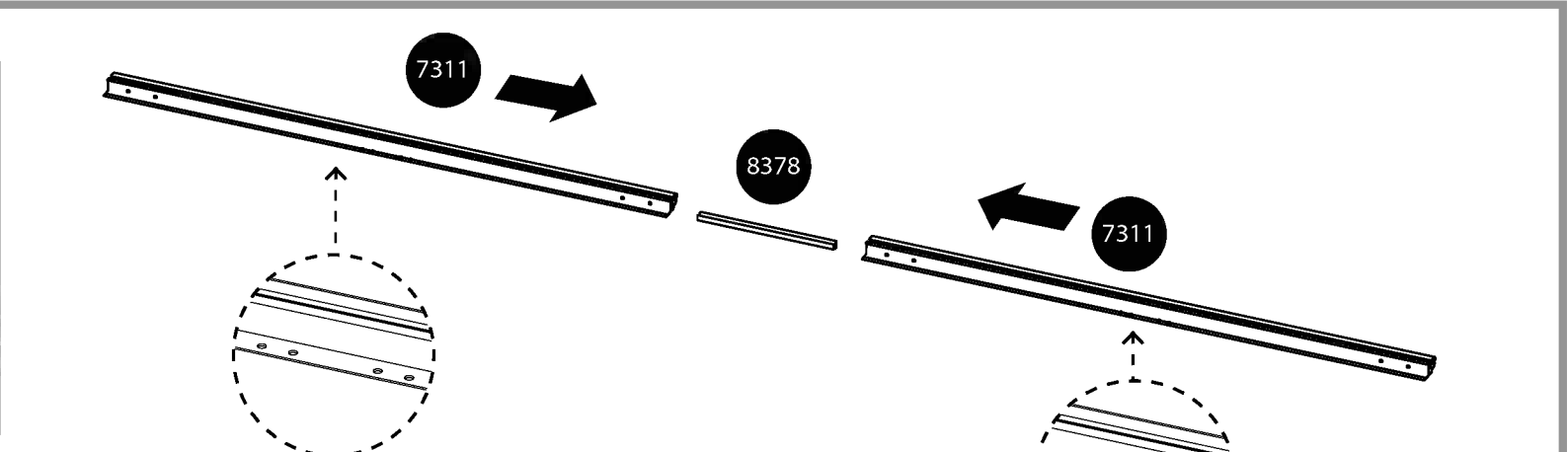
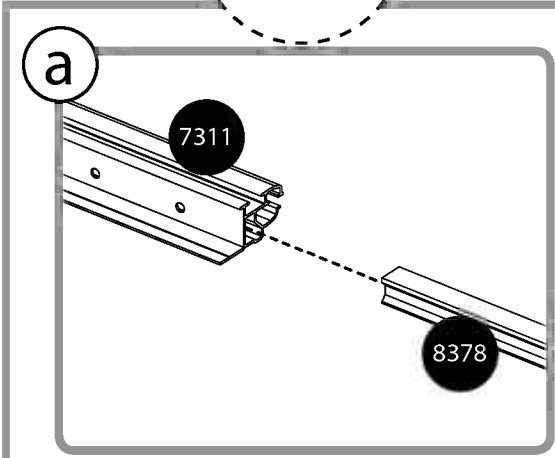
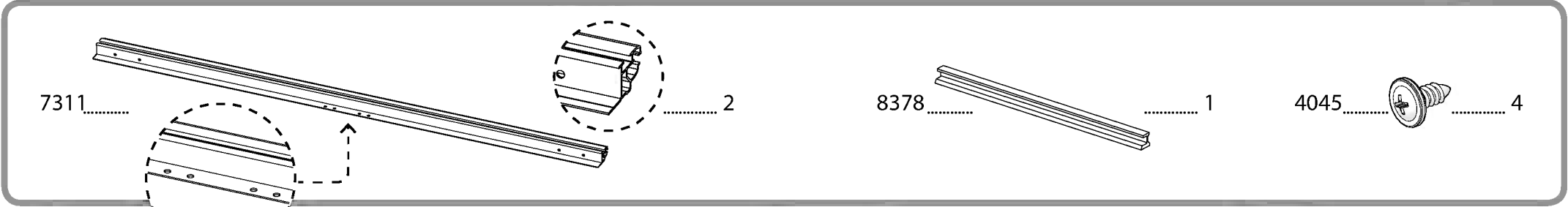
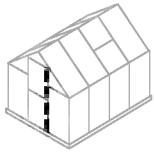


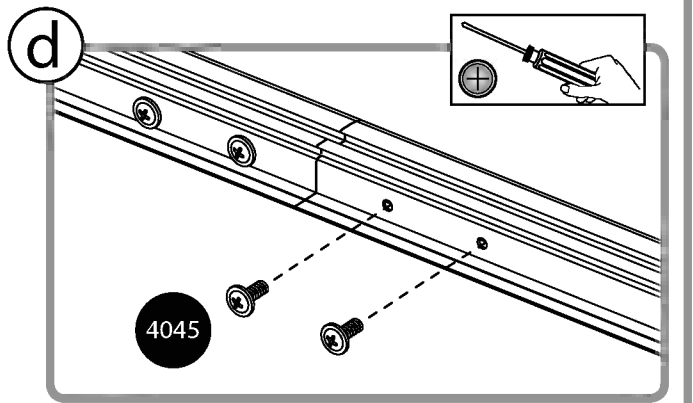
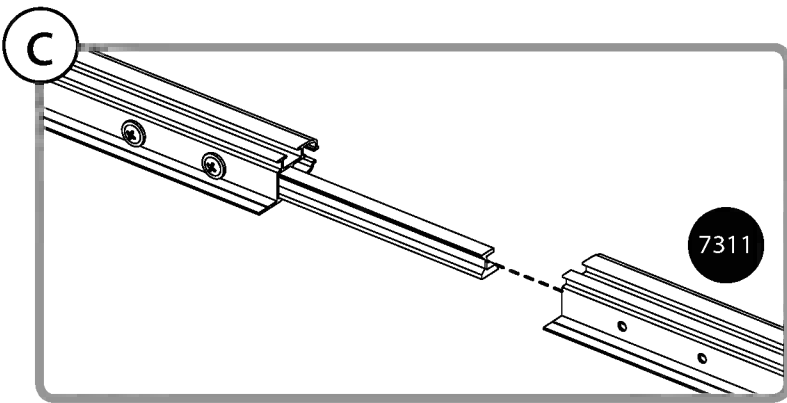
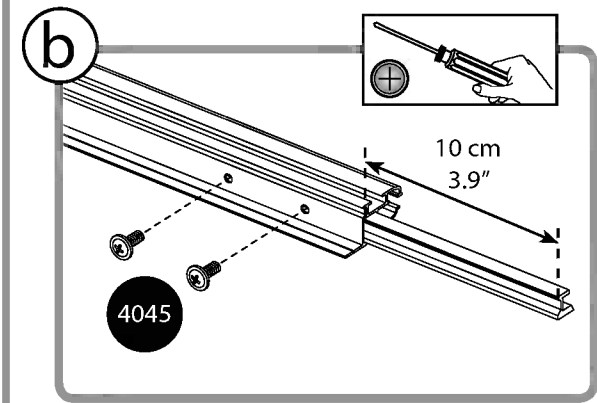
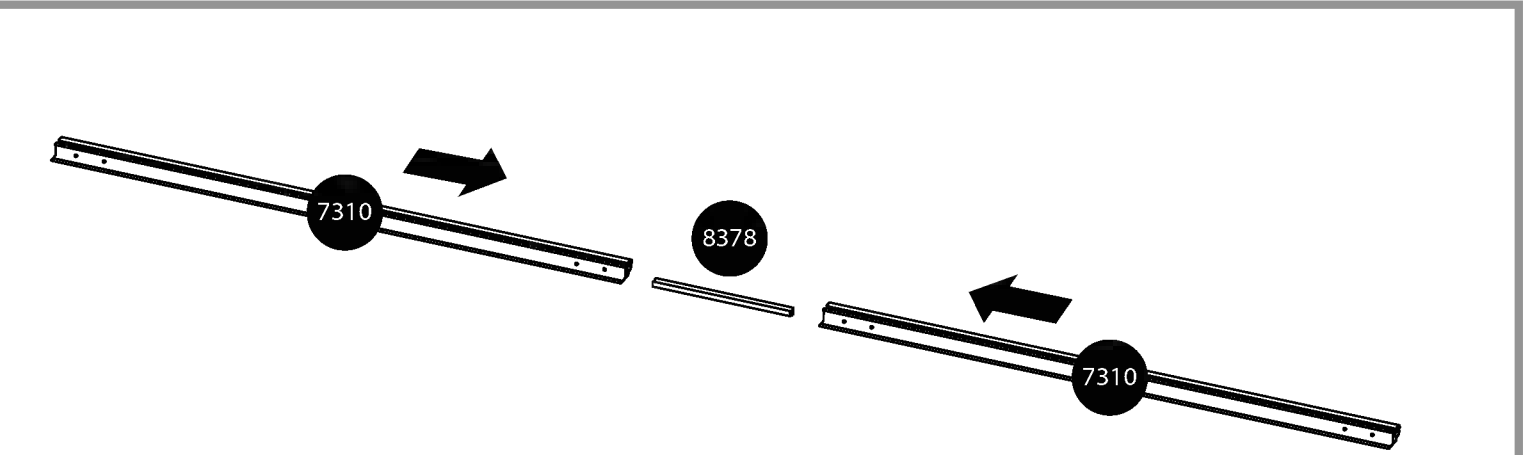
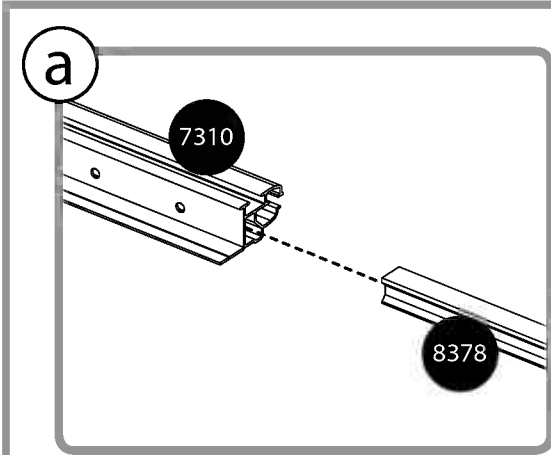
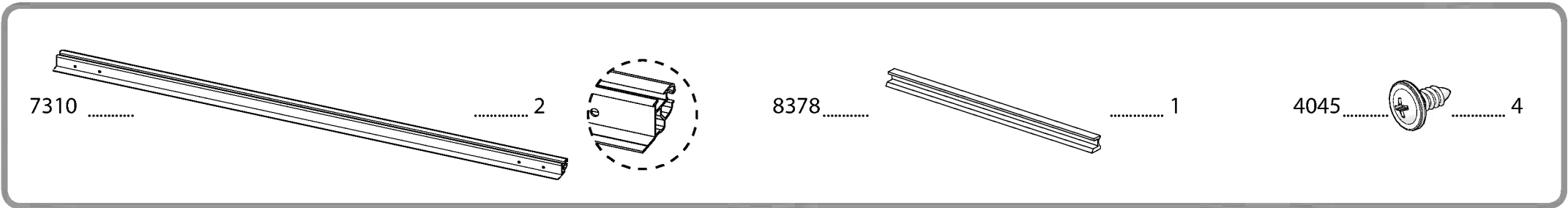
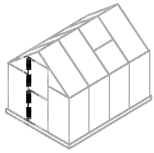


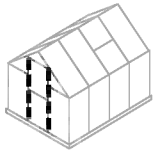
7312  1

7313  1



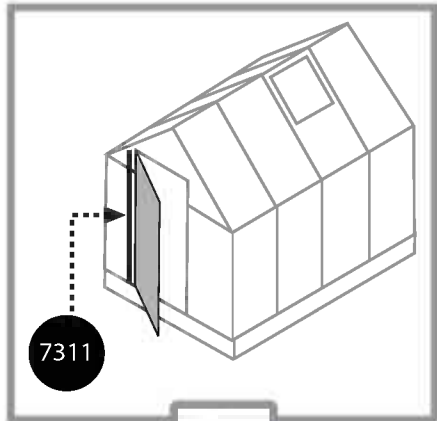




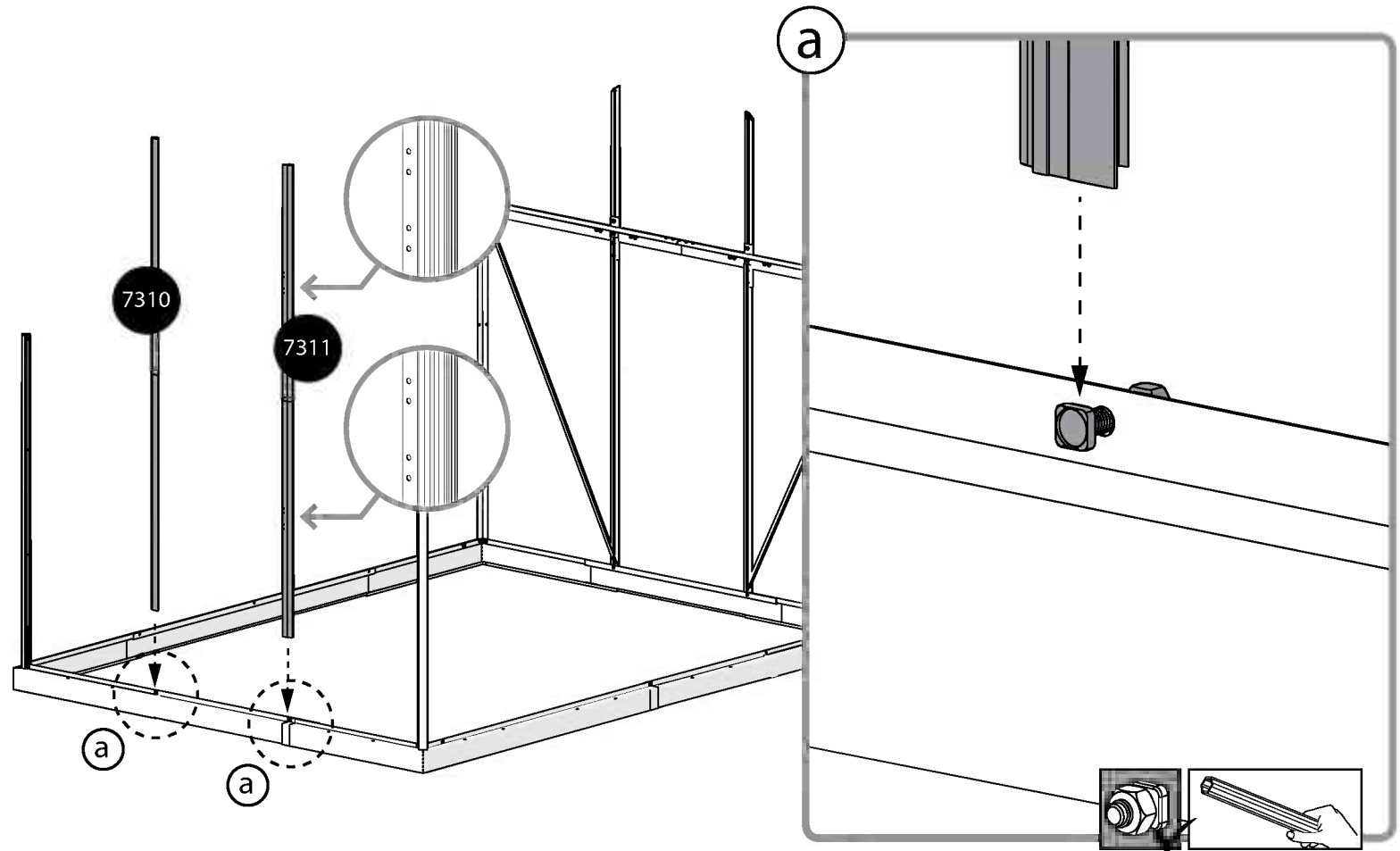
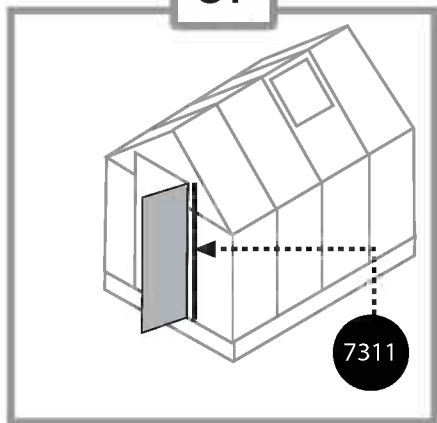


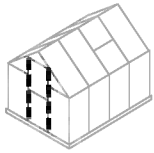
7310  1

7311  1

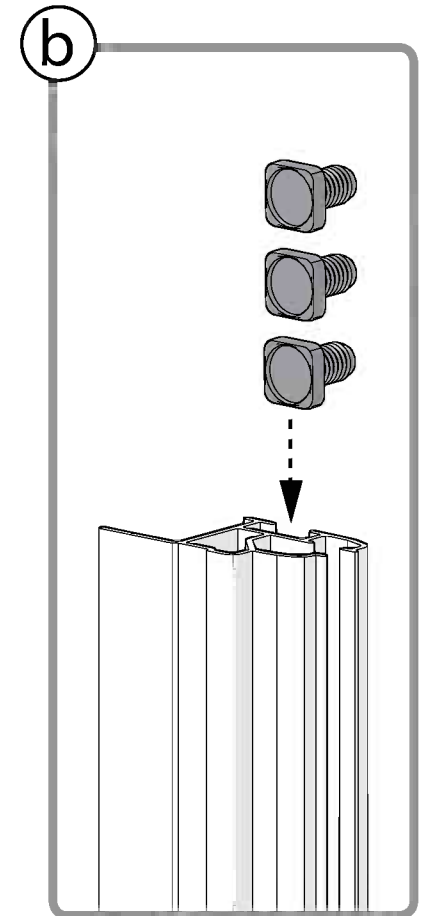
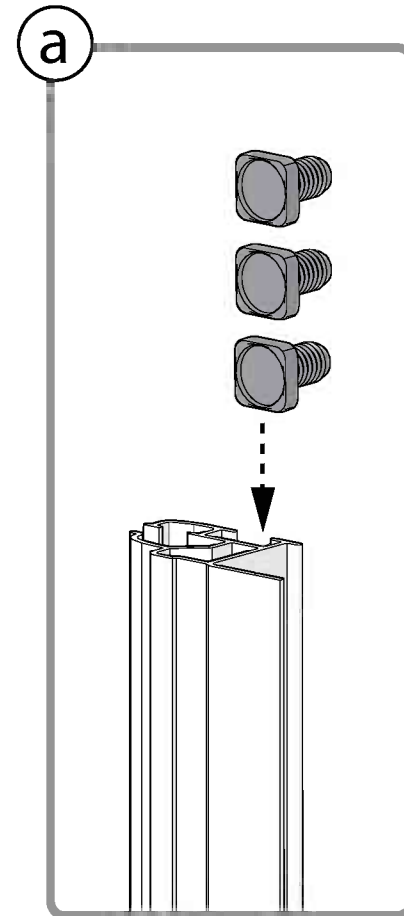
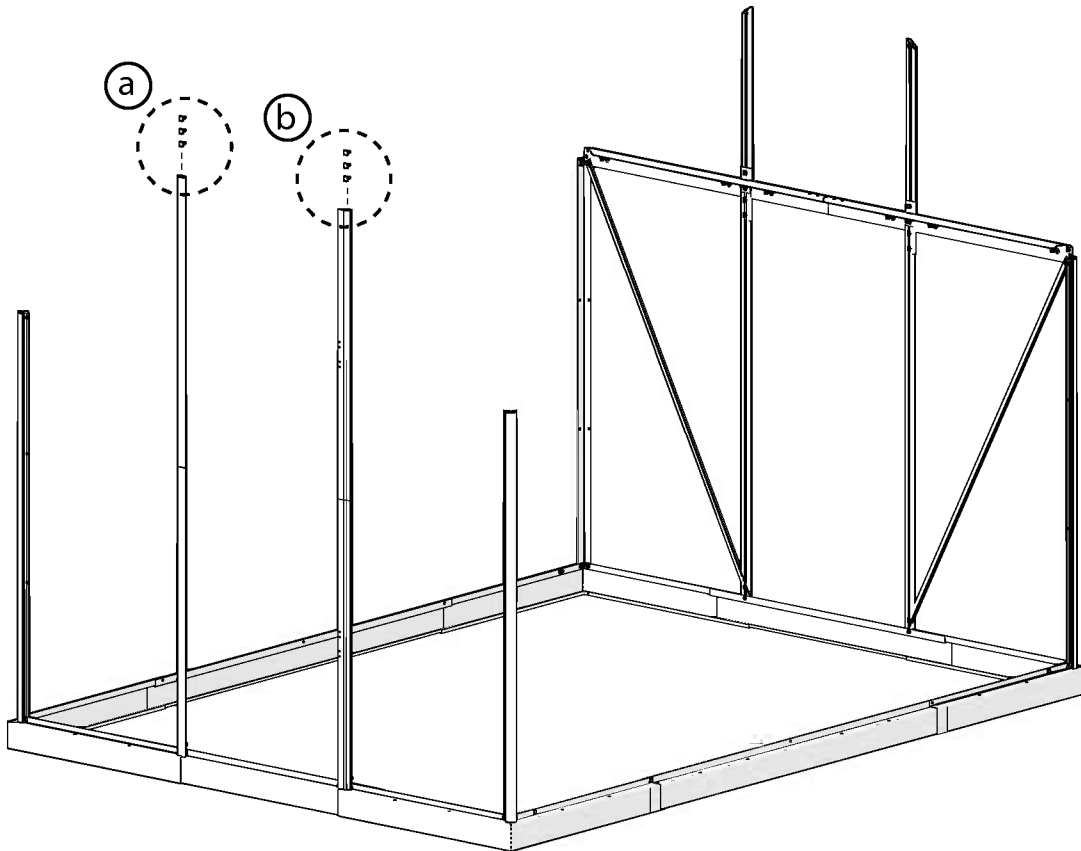


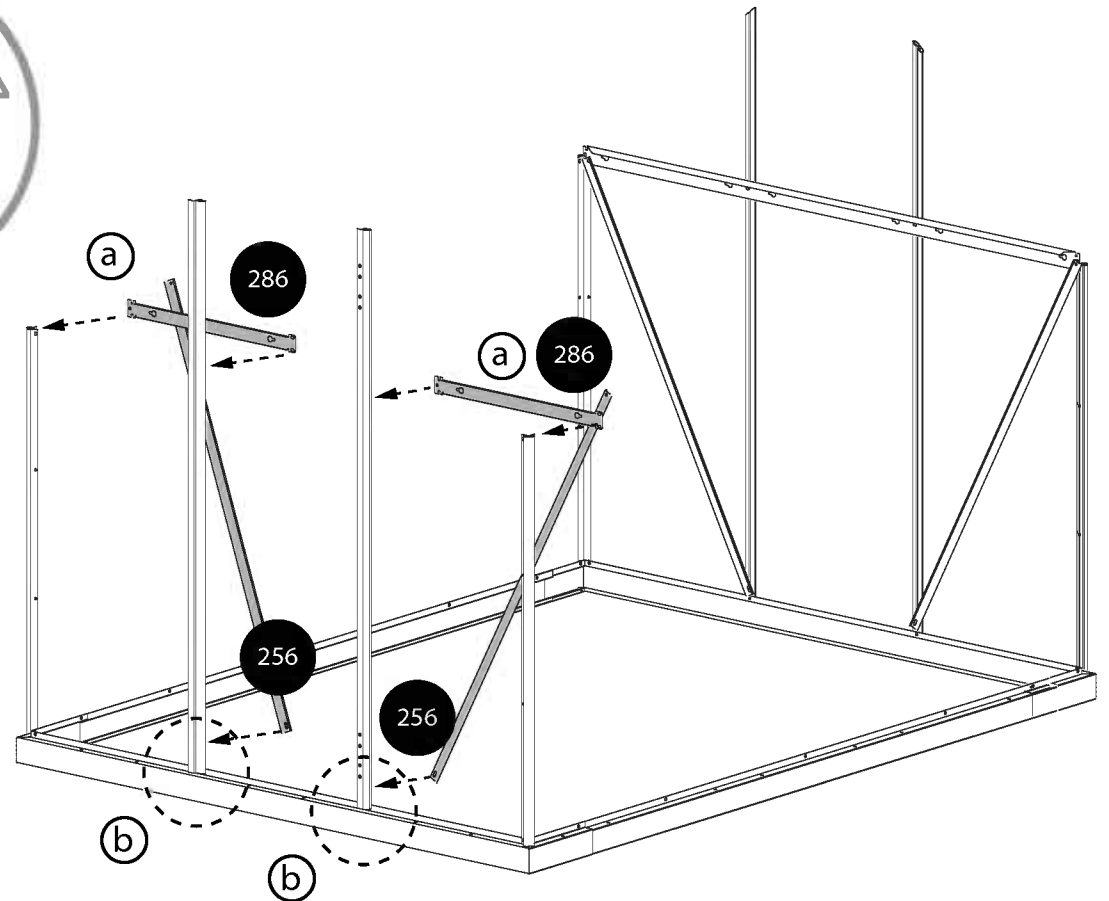
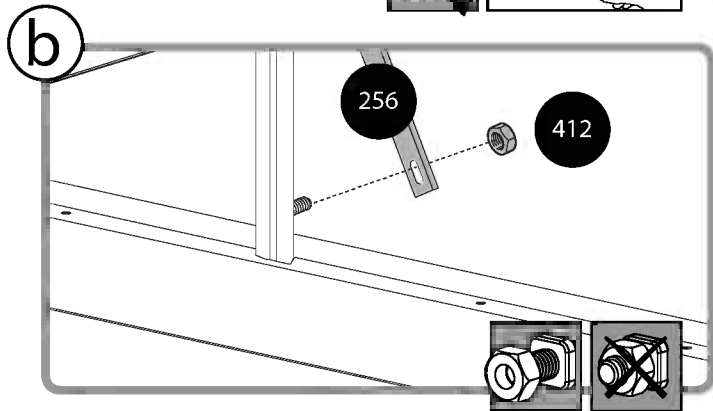
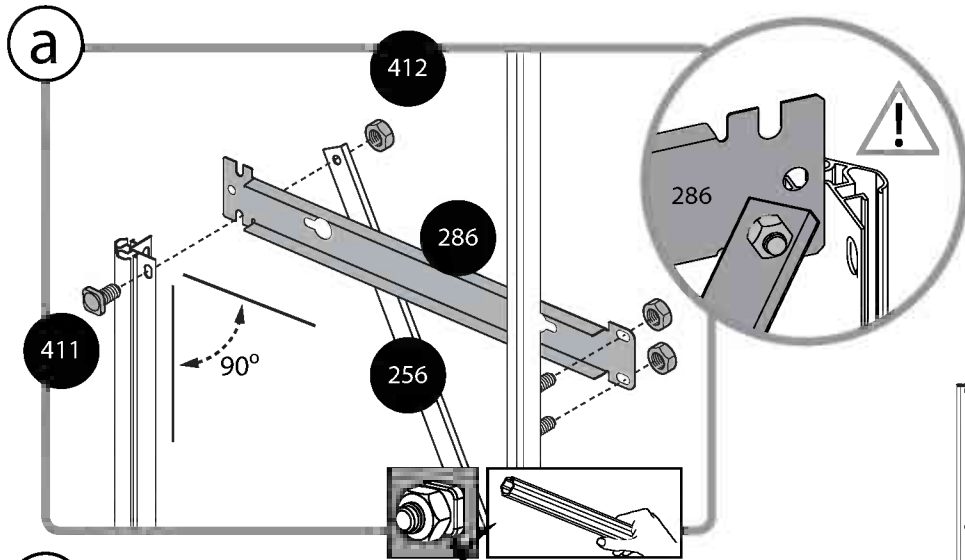
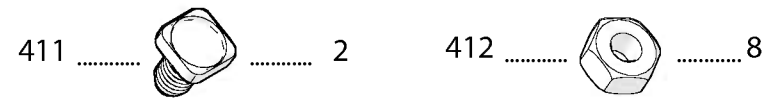
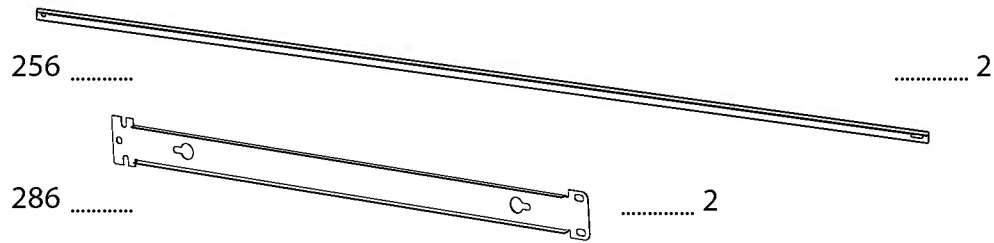
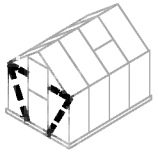
or

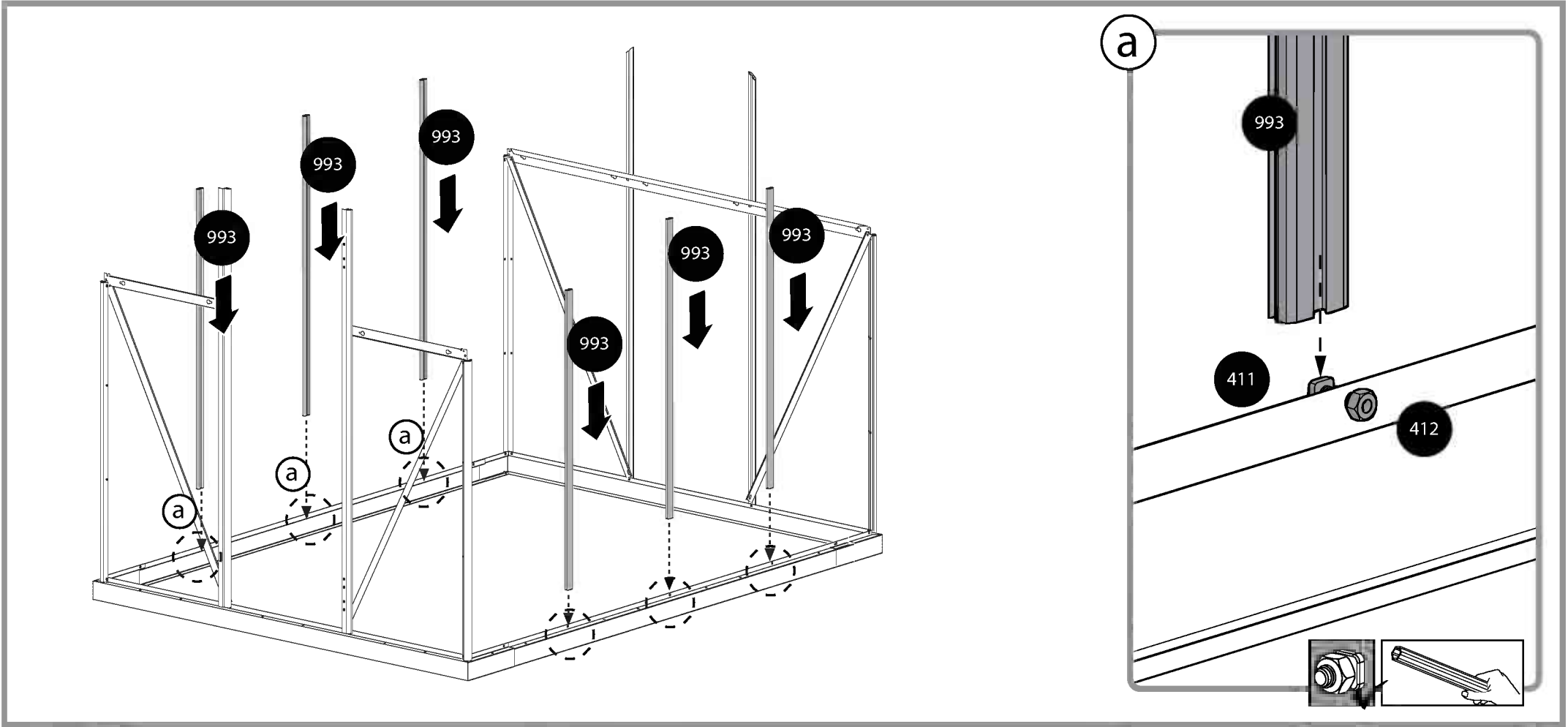
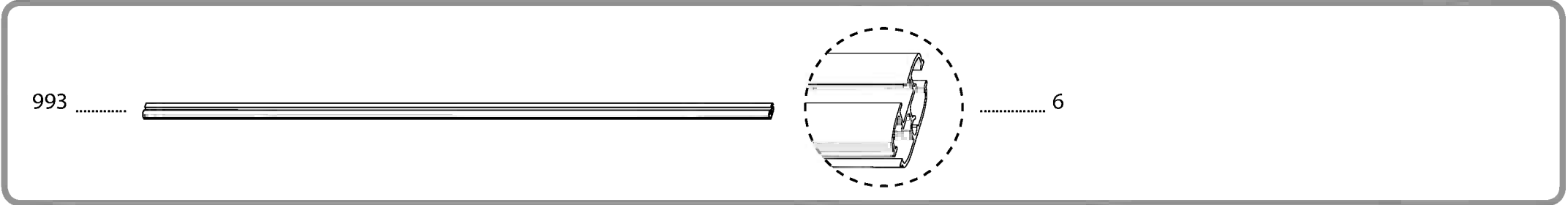
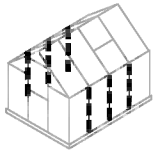


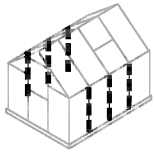


411  6

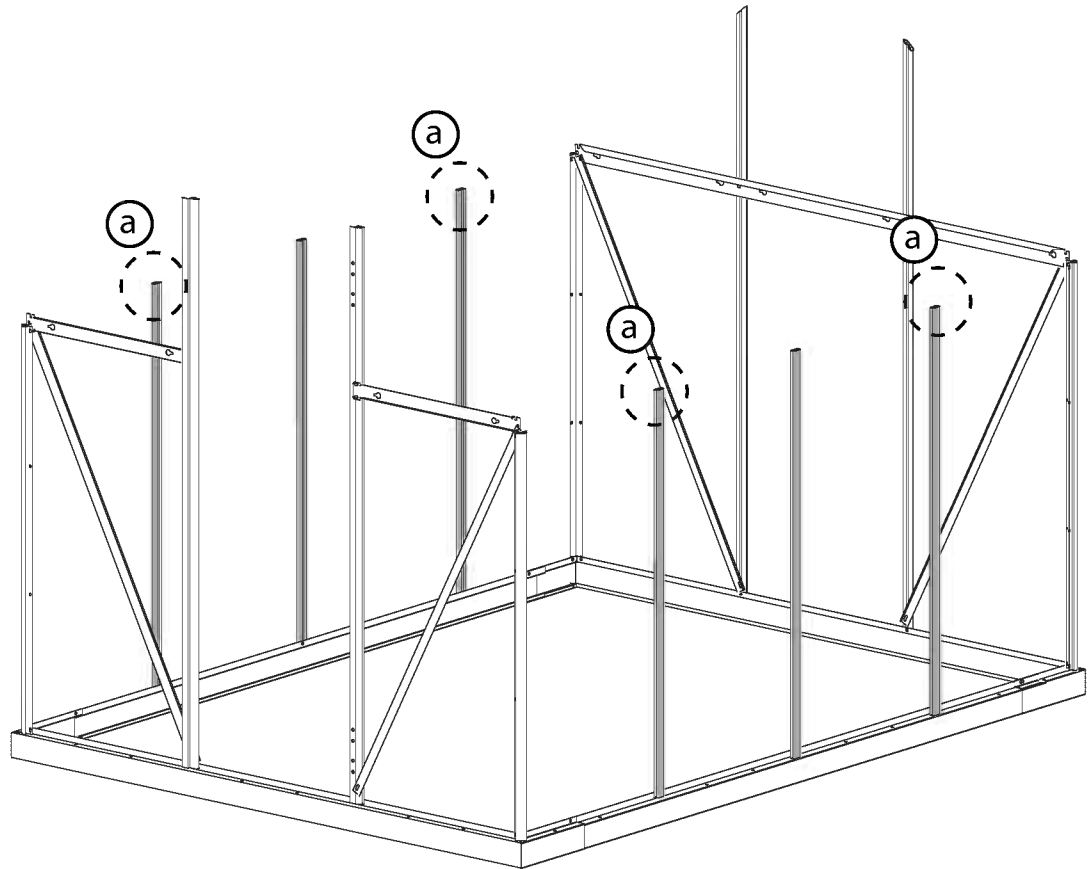
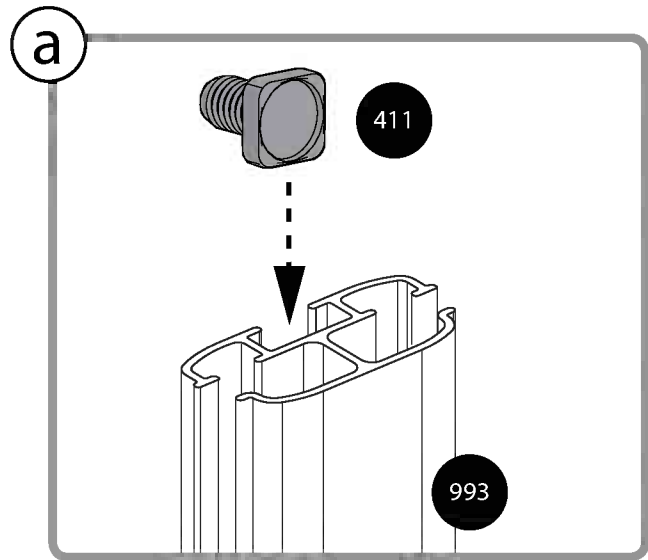


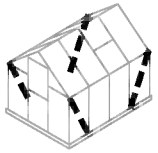






411  4

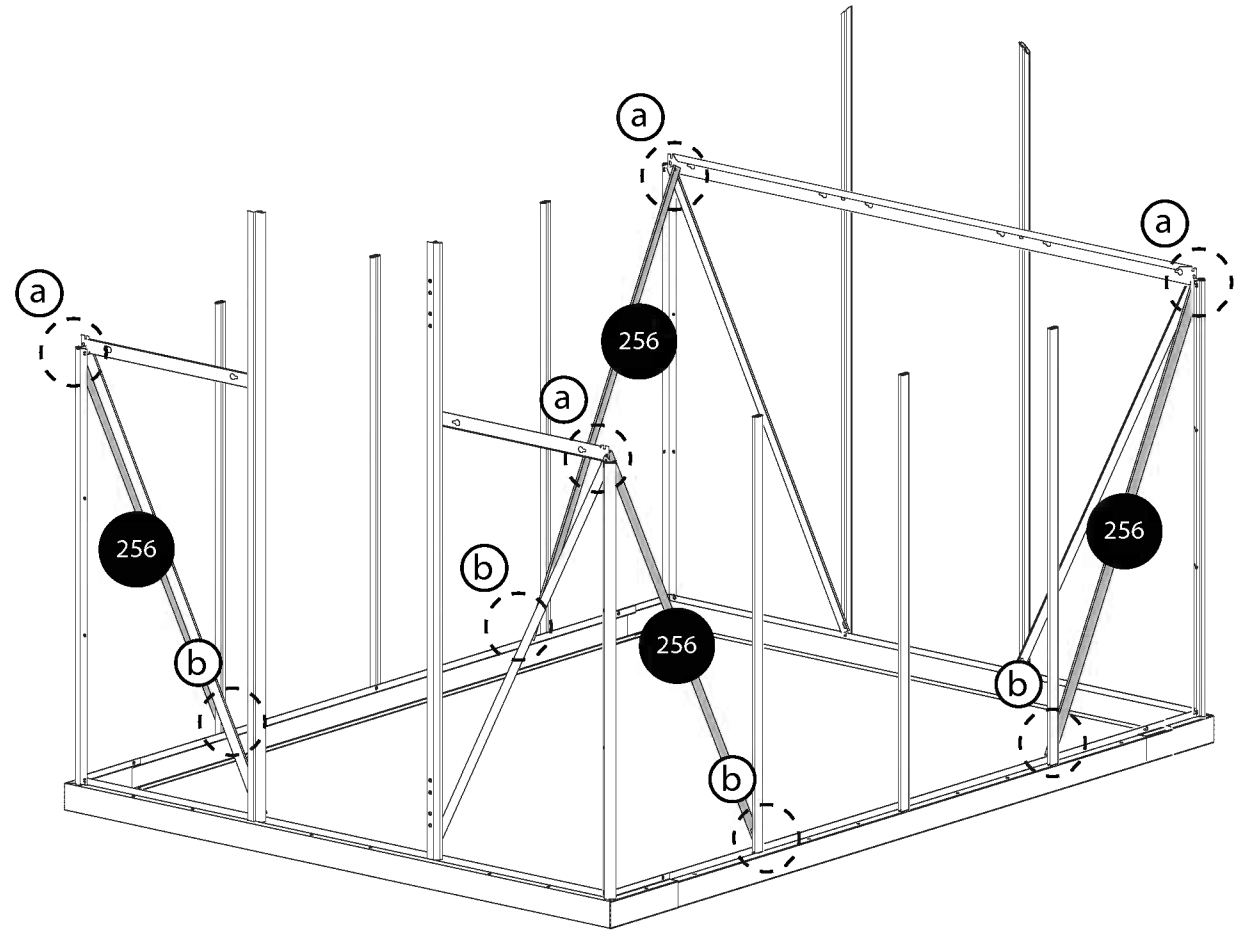
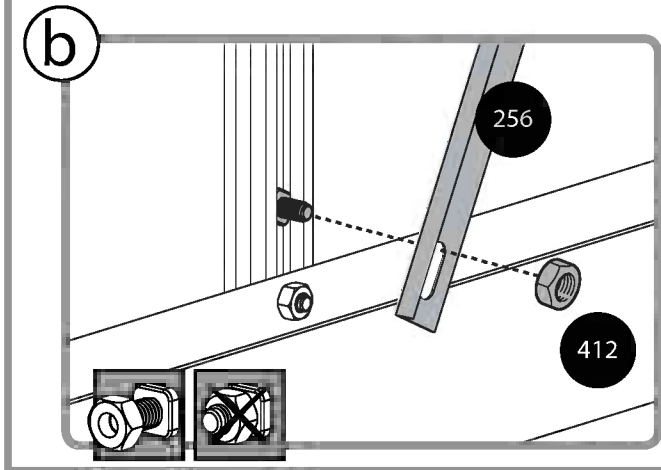
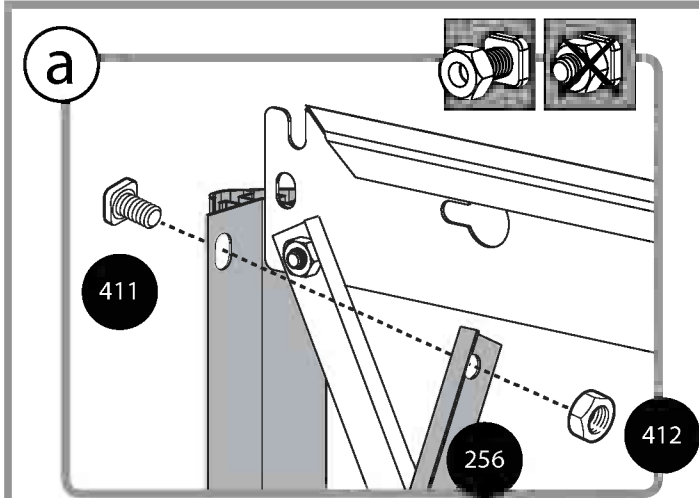




256 4

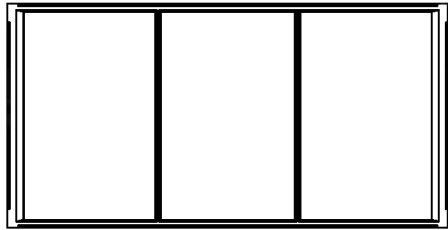
411 4

412 8



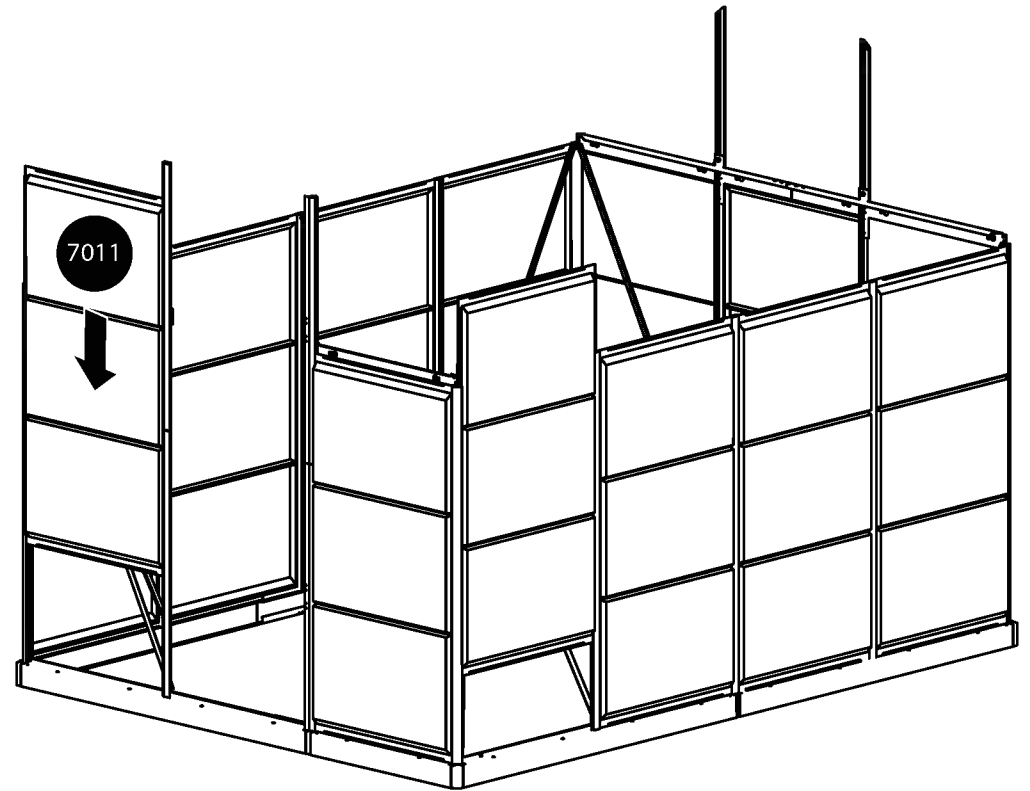
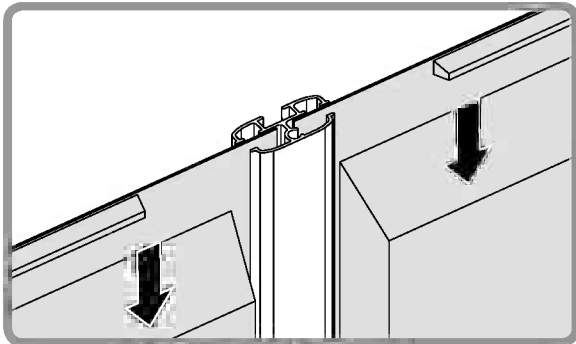
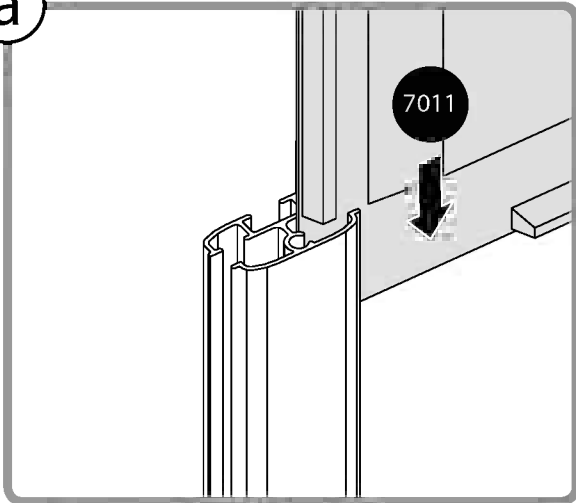


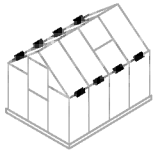
7011.....



..... 13

a



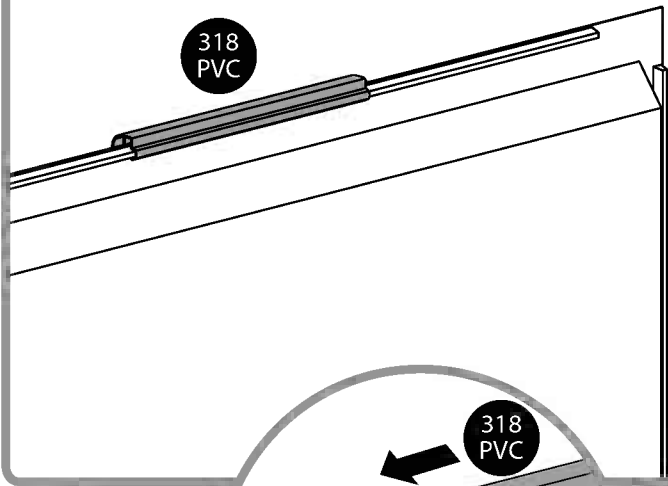


318 PVC

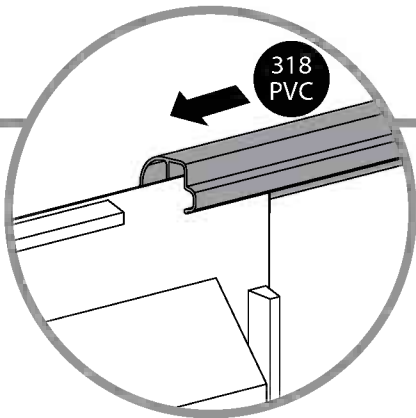


..... 8

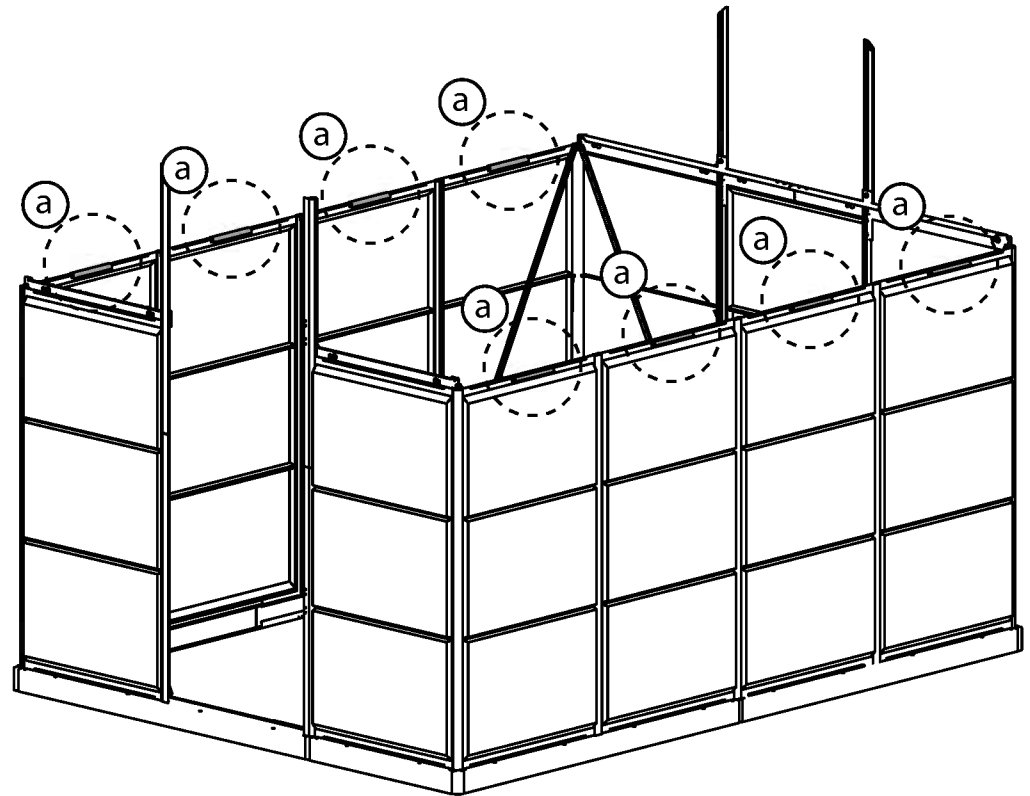
a

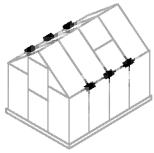




318 PVC

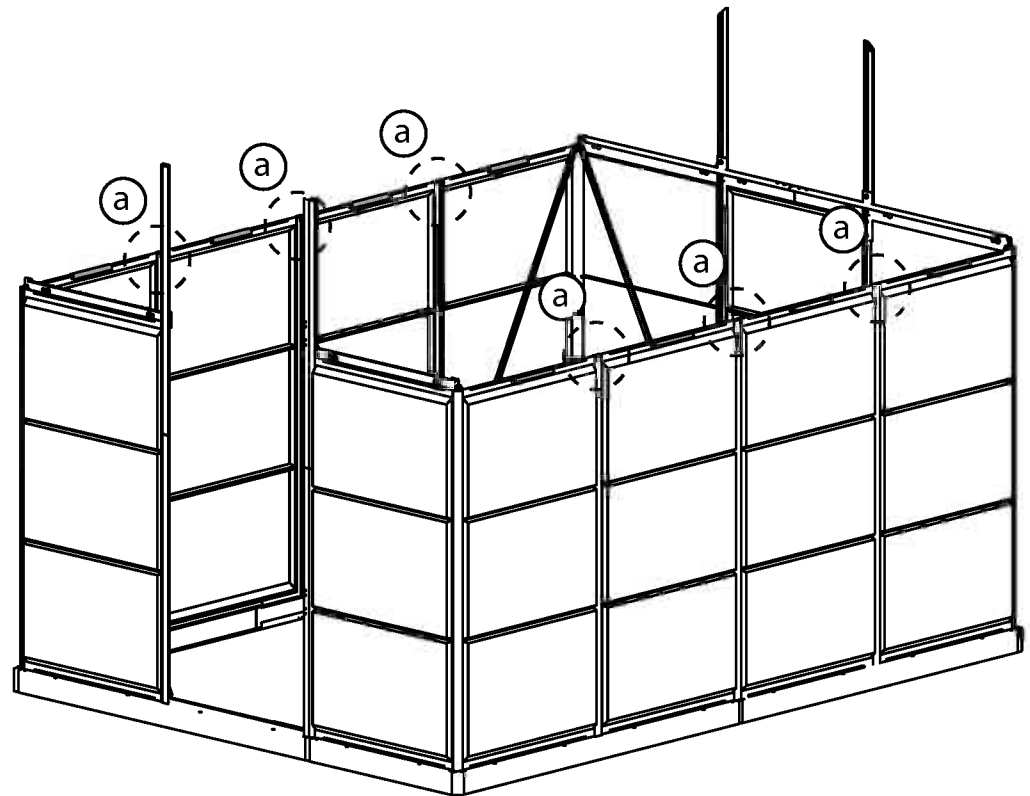
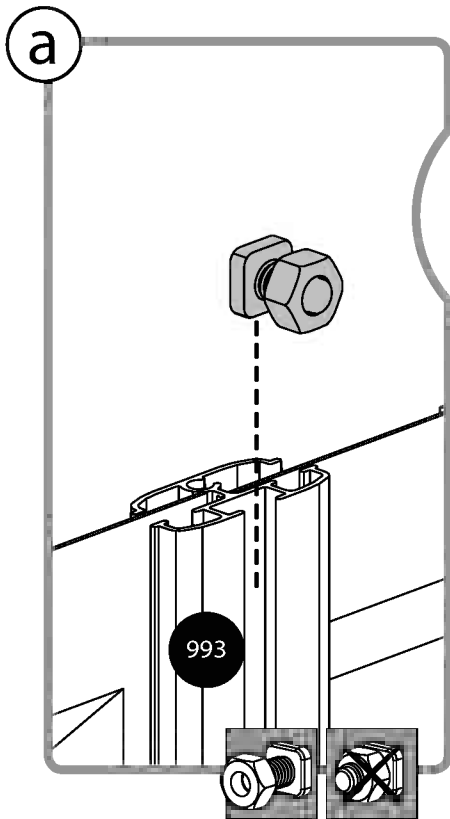


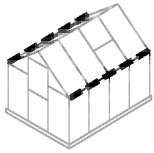
318 PVC





411  6 412  6





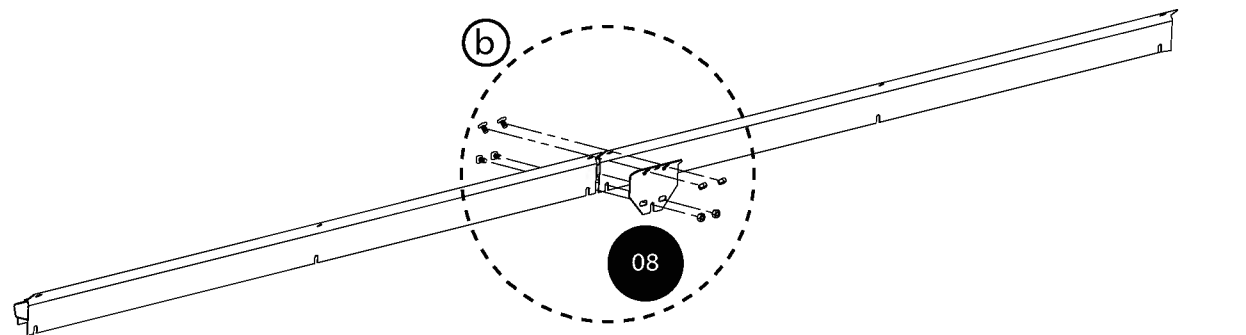
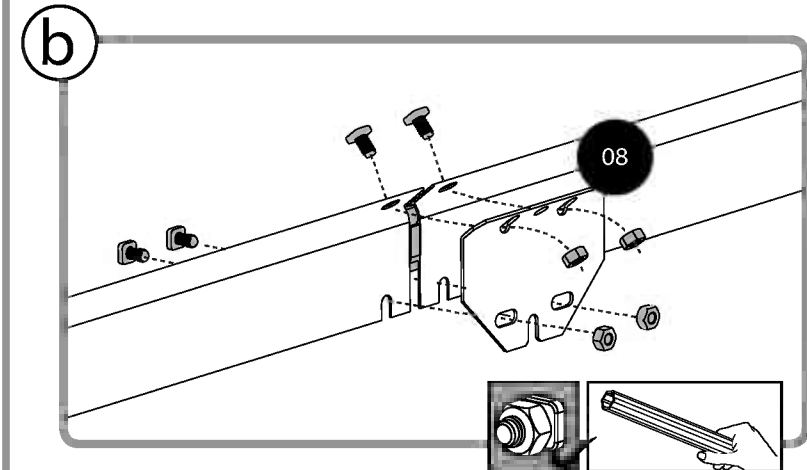
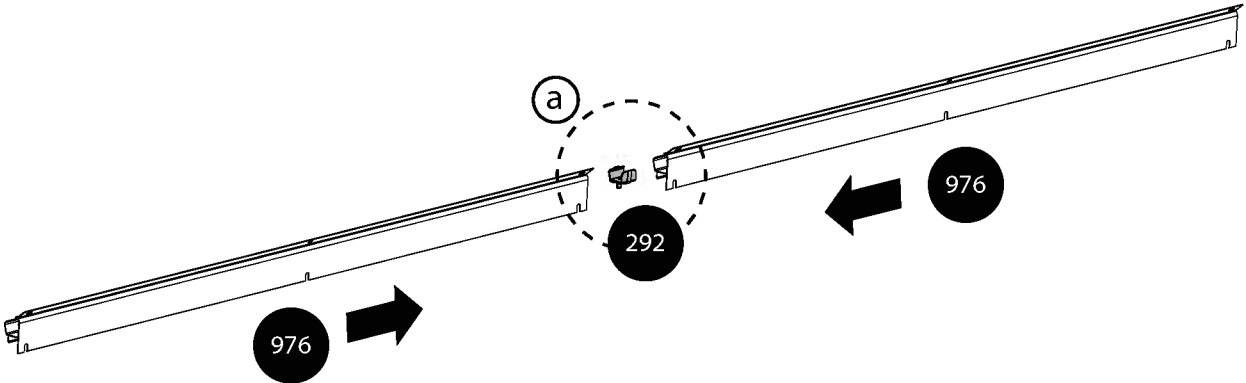
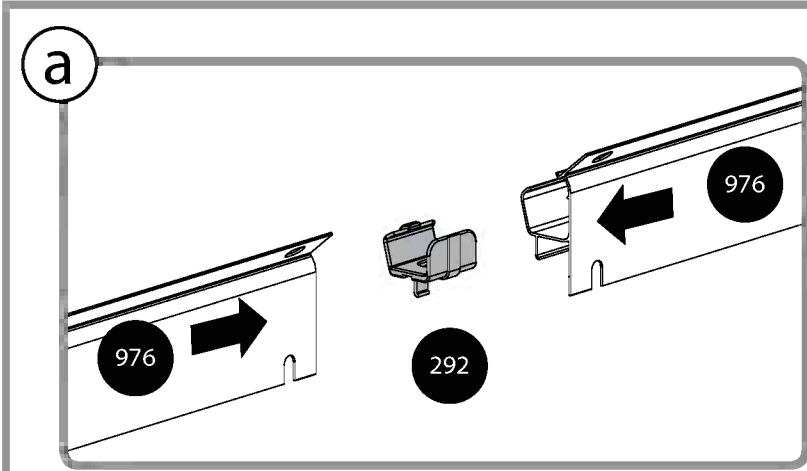
976 4

08 2

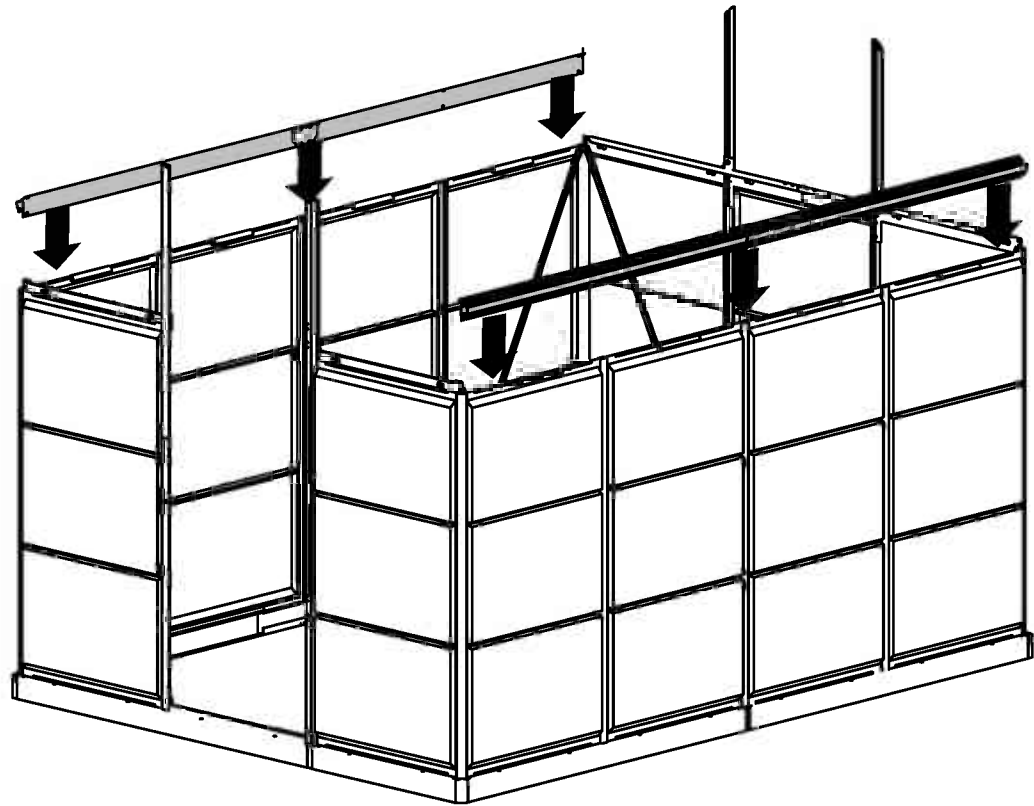
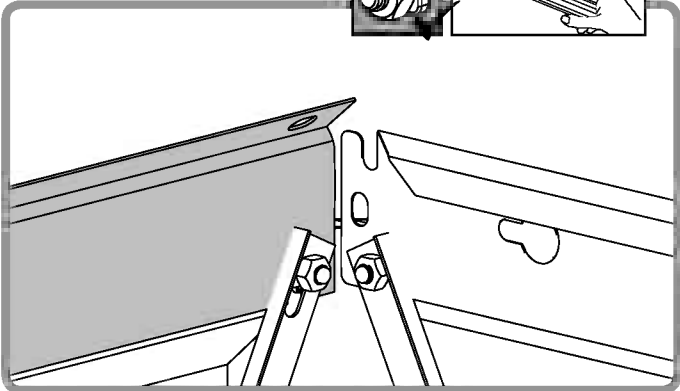
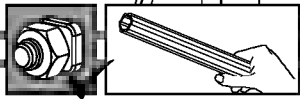
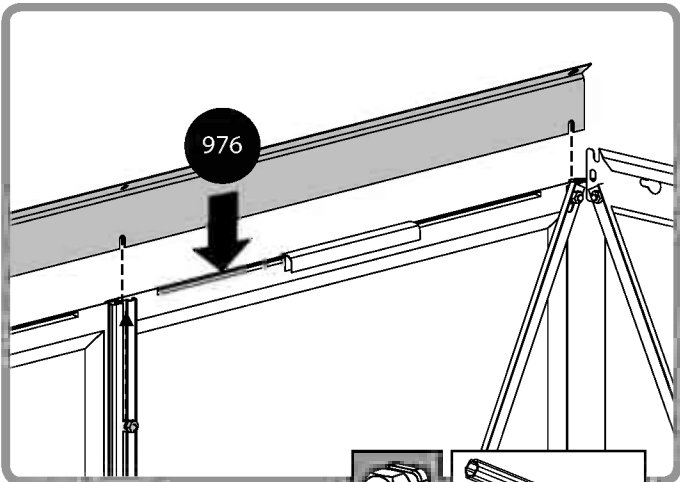
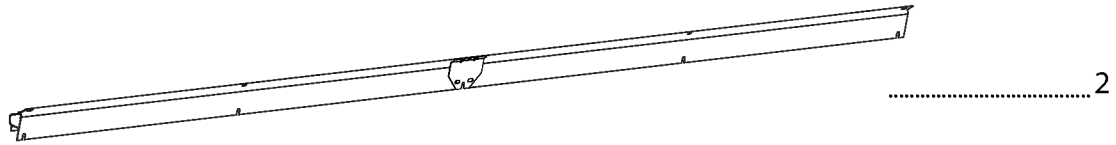
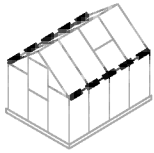
292 2

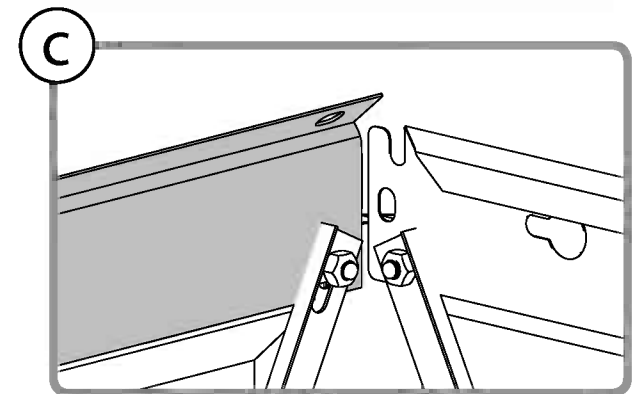
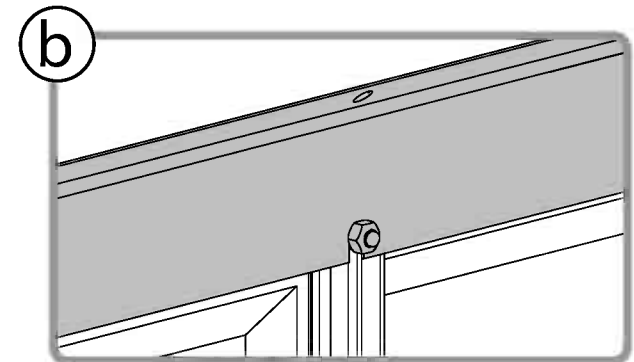
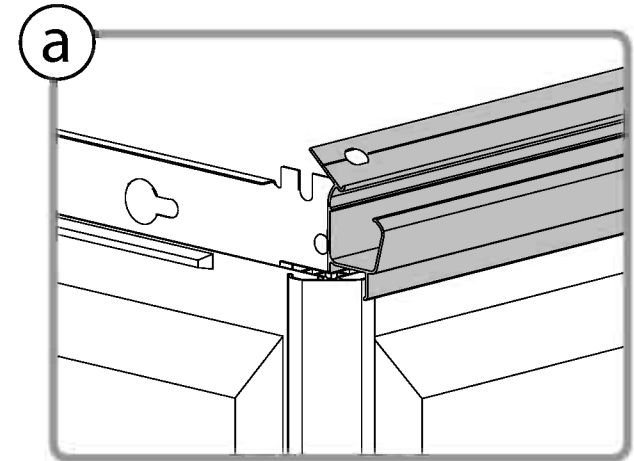
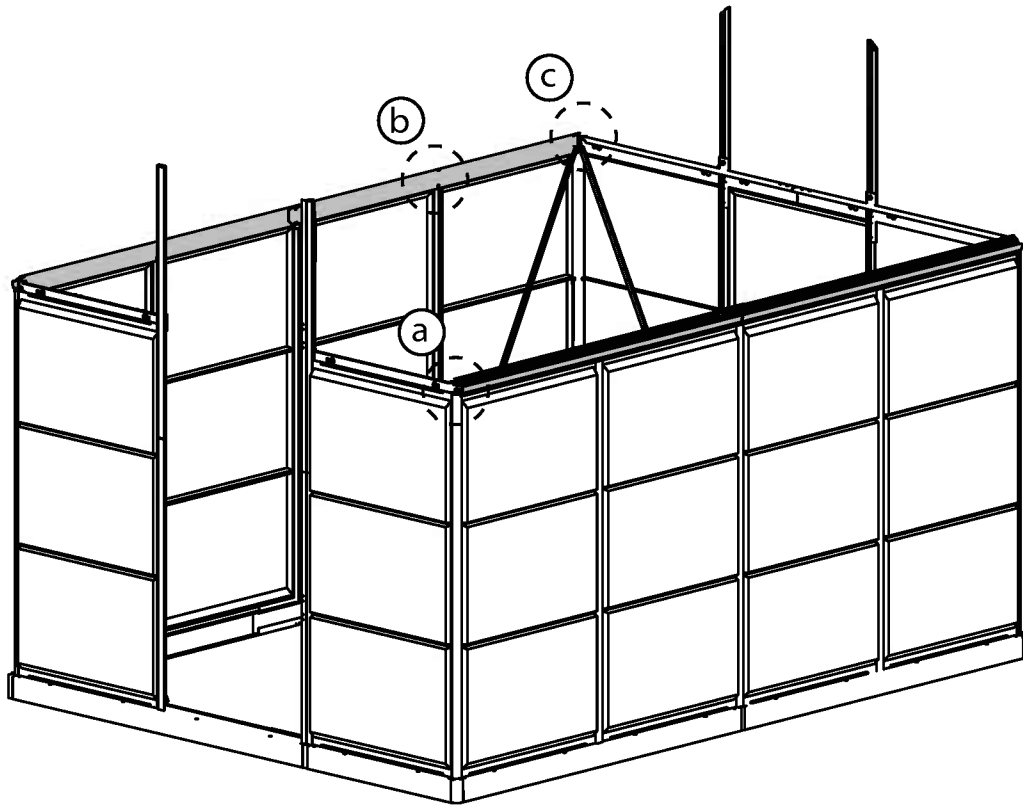
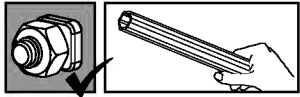
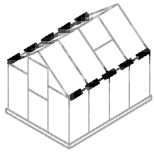
411 8

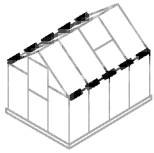
412 8

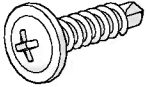


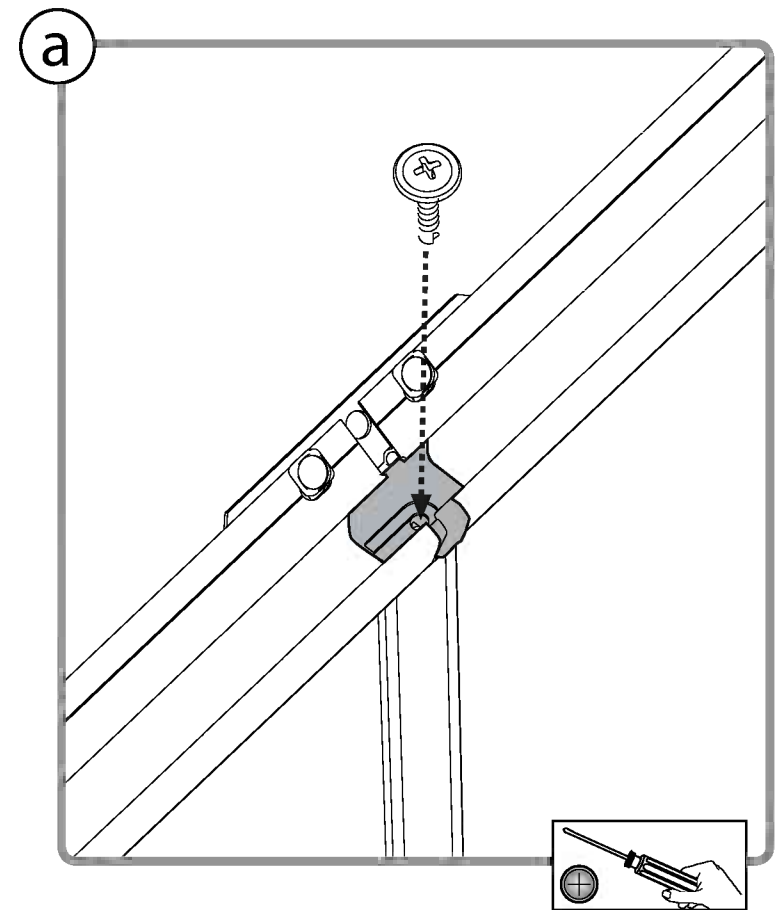
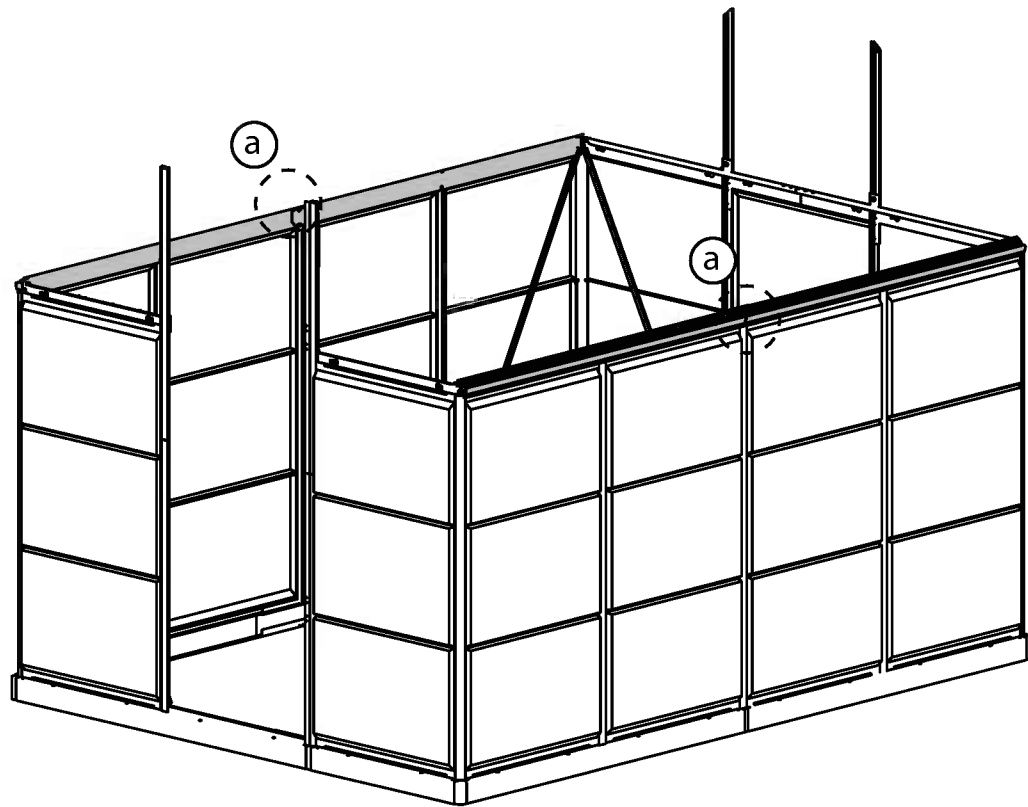
x2



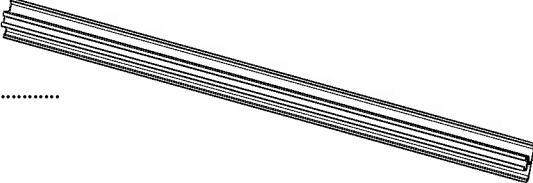
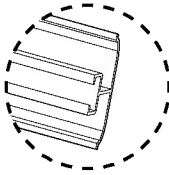



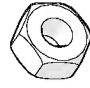


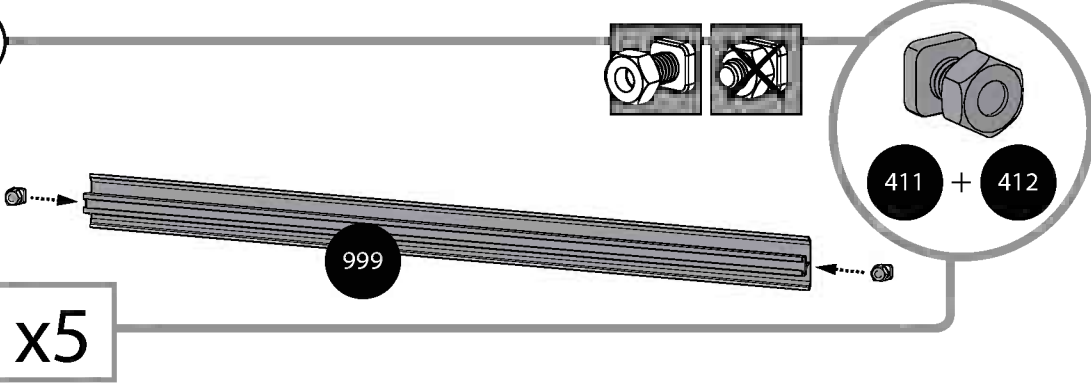
4008  2

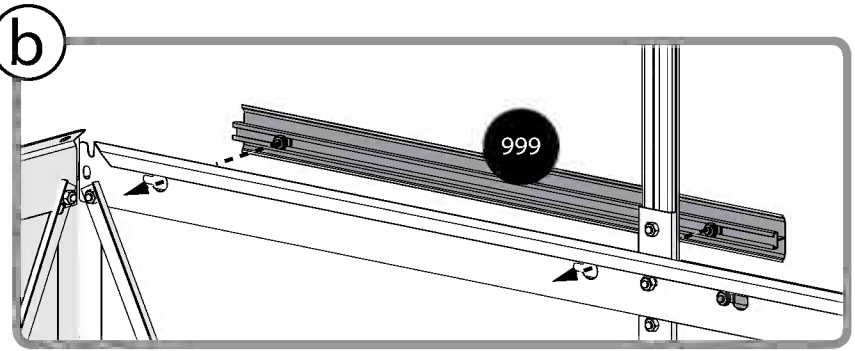


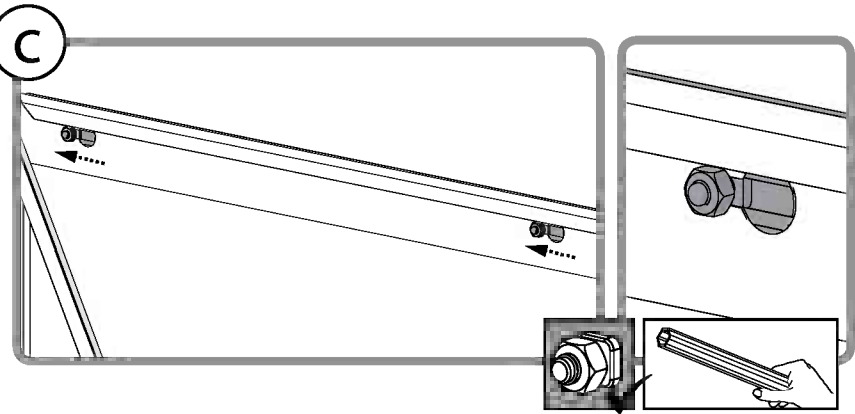


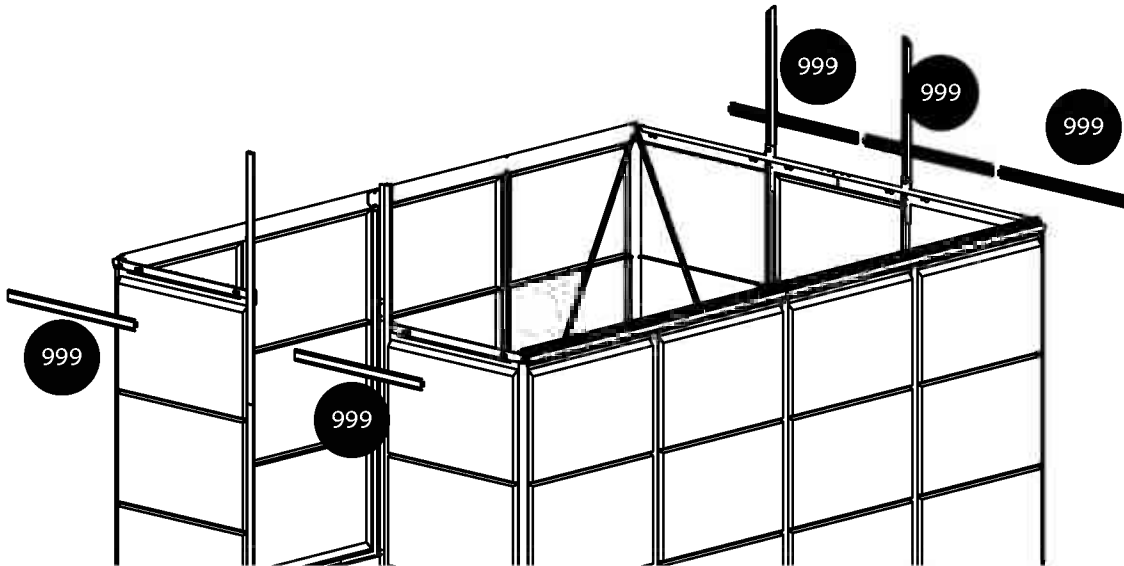
999  5 

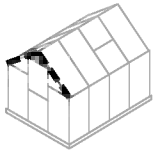
411  10 412  10

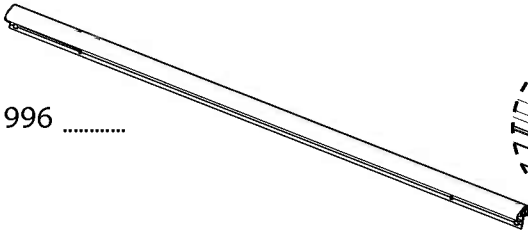
a 


b 


c 




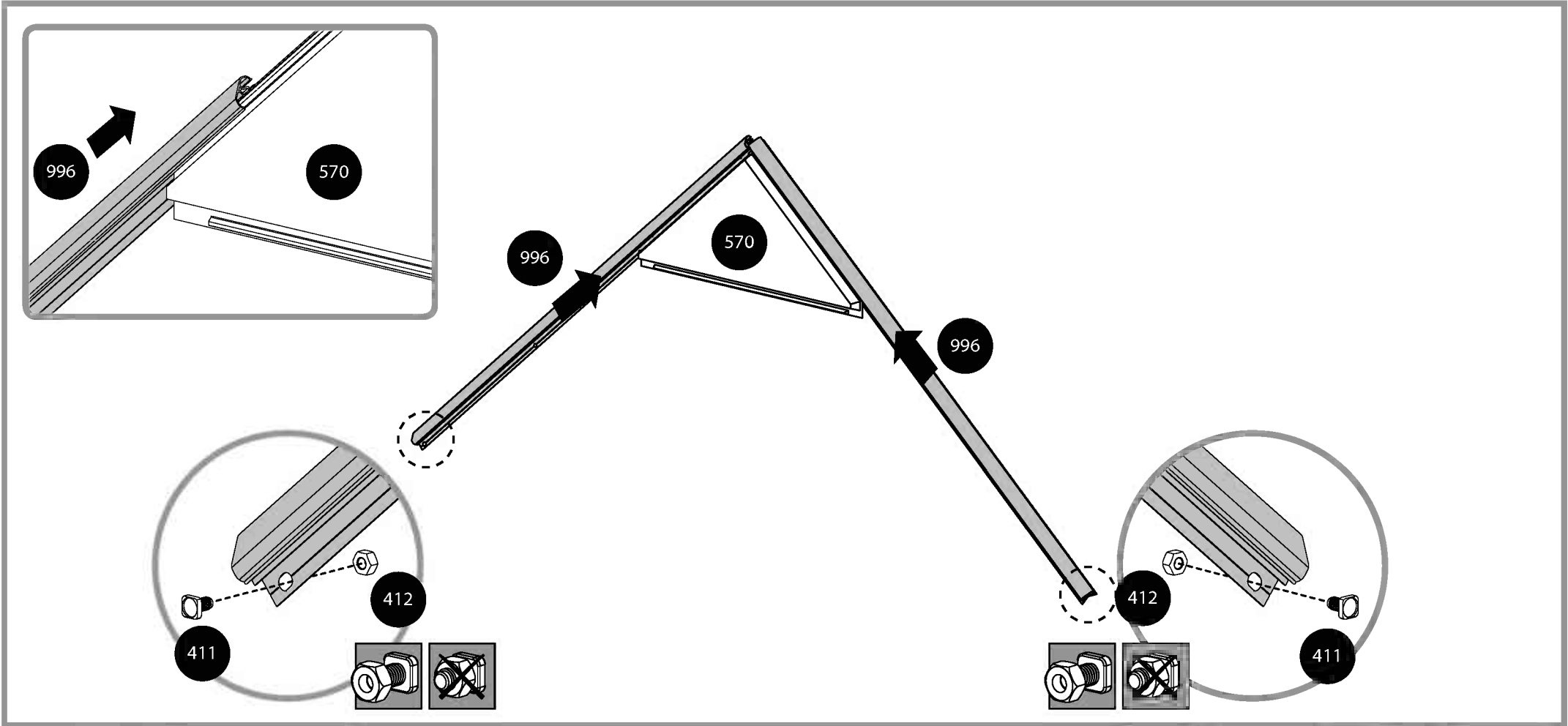


996  2

570  1

411  2

412  2



996

570

996

570

996

411

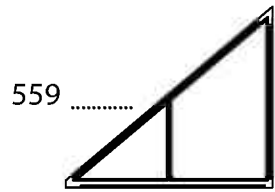
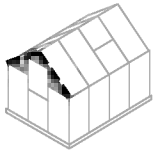
412

411

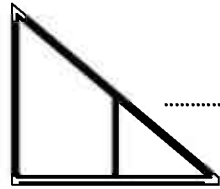
412

411

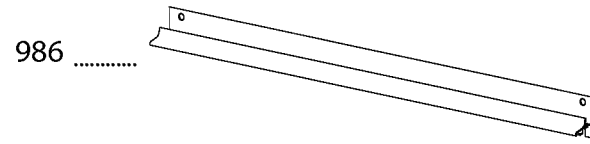
412



559 1



560 1



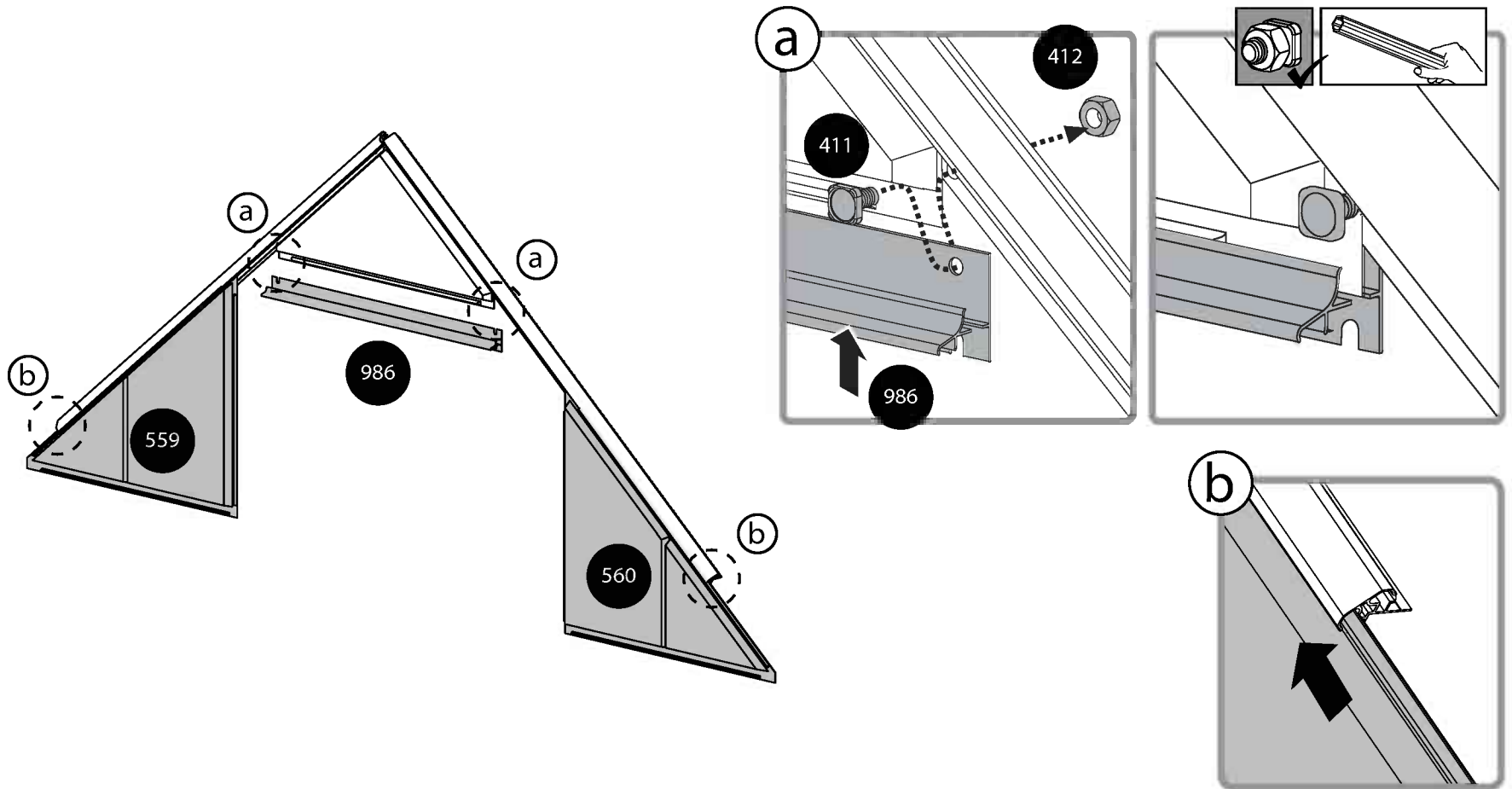
986 1

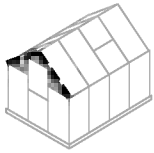




411 2

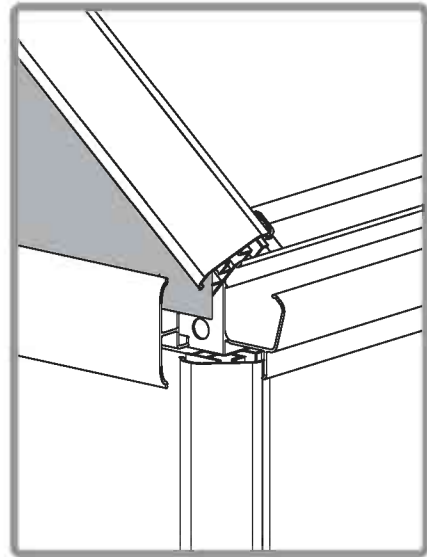
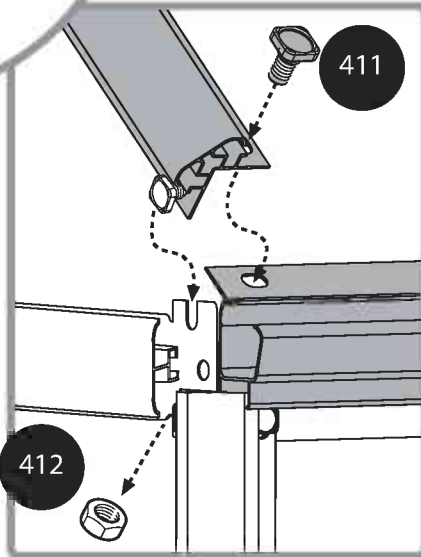
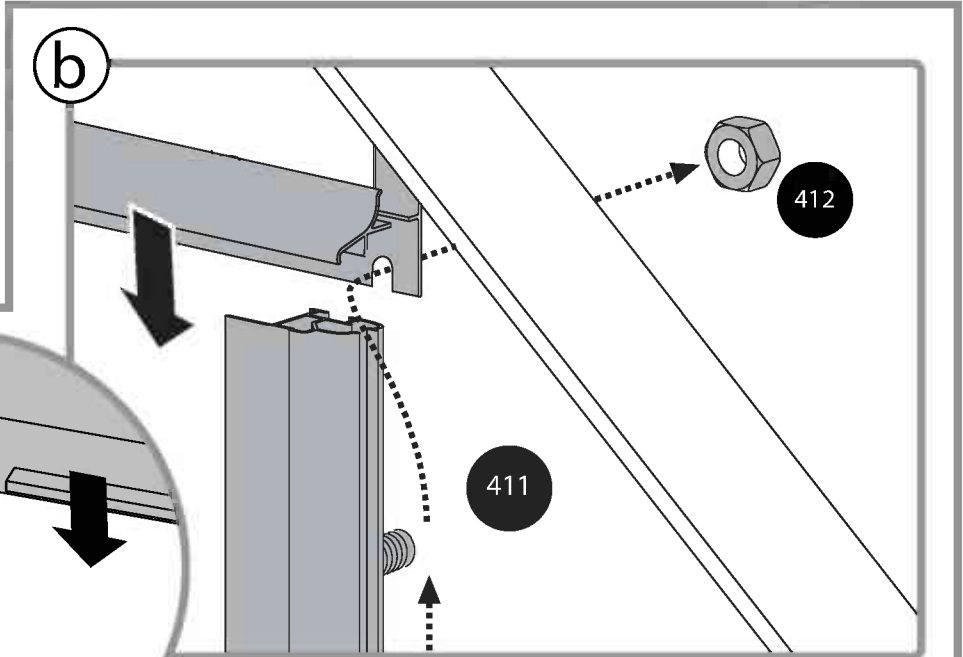
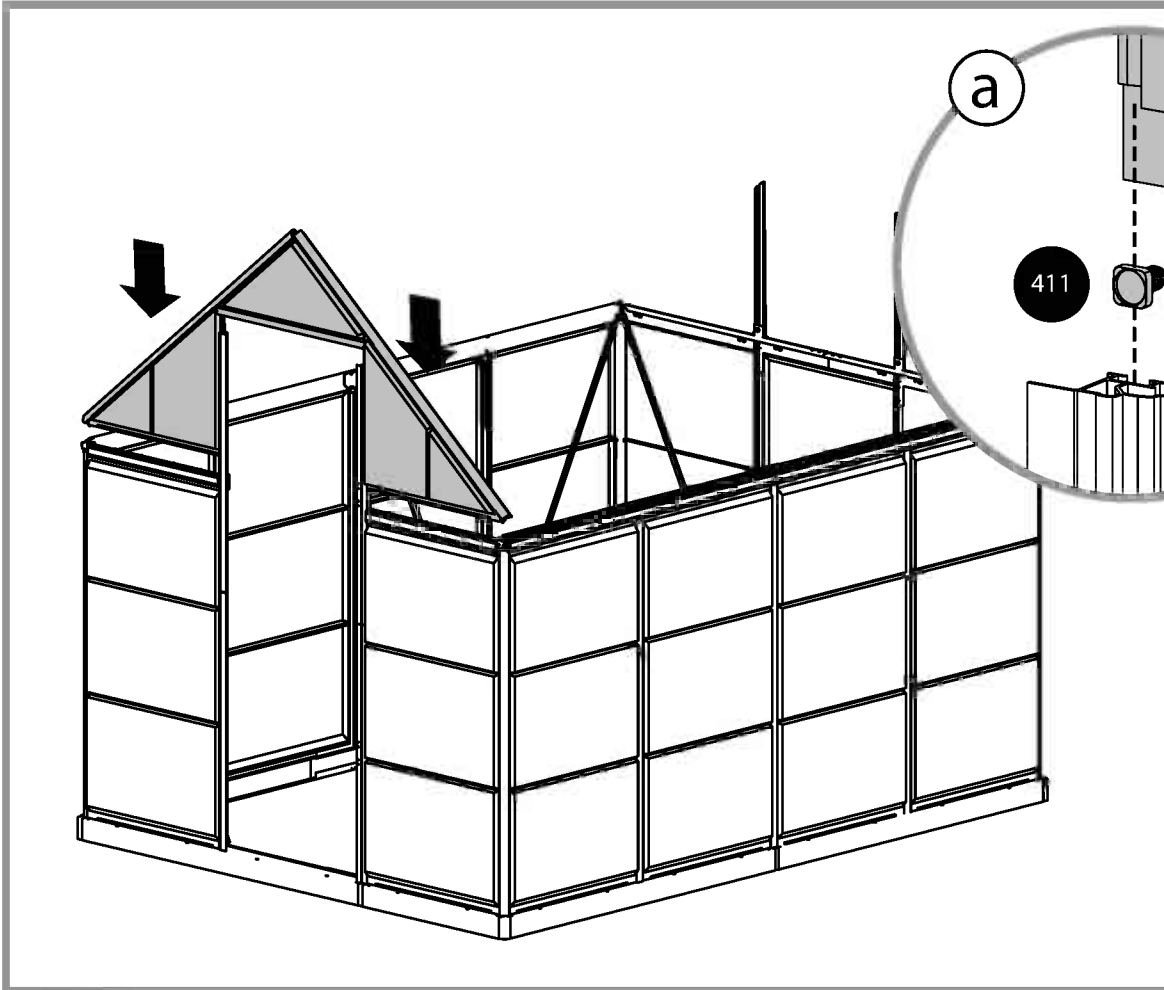


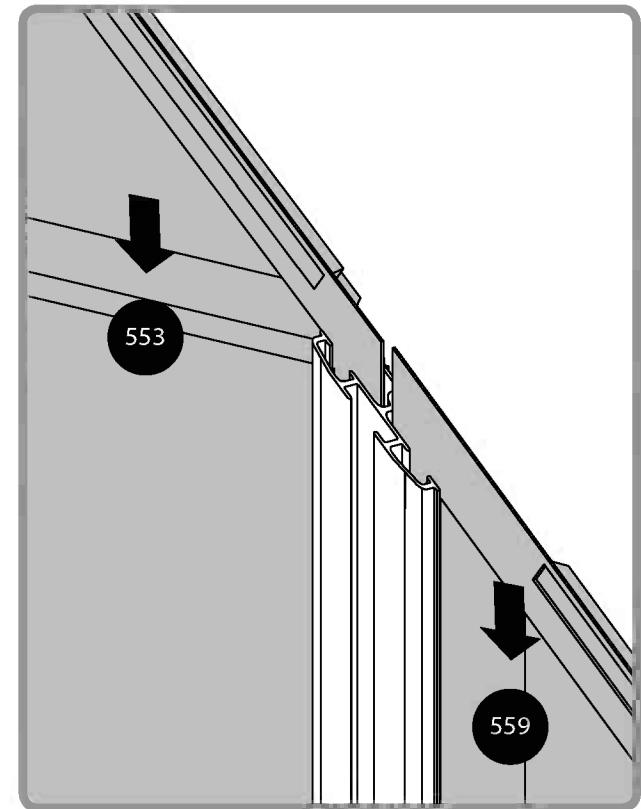
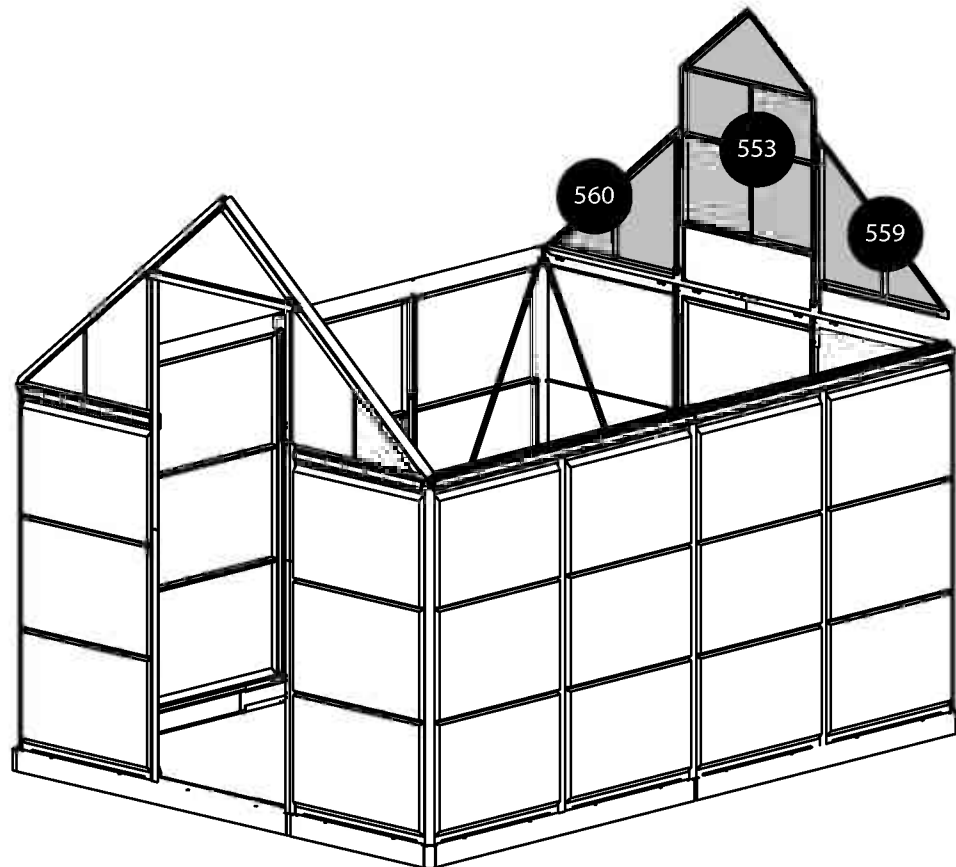
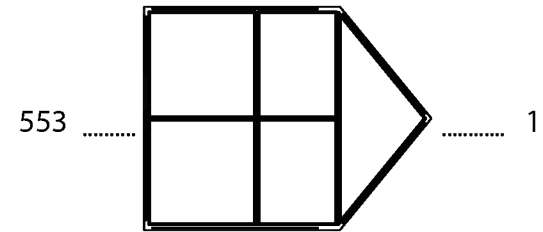
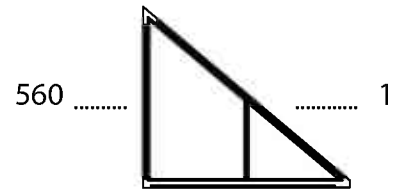
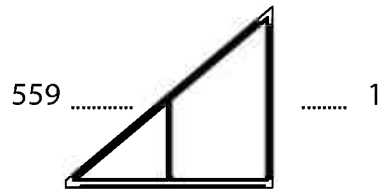
412 2





411  4 412  4







996

.....2

411 4

412 4

996

a

a

a

a

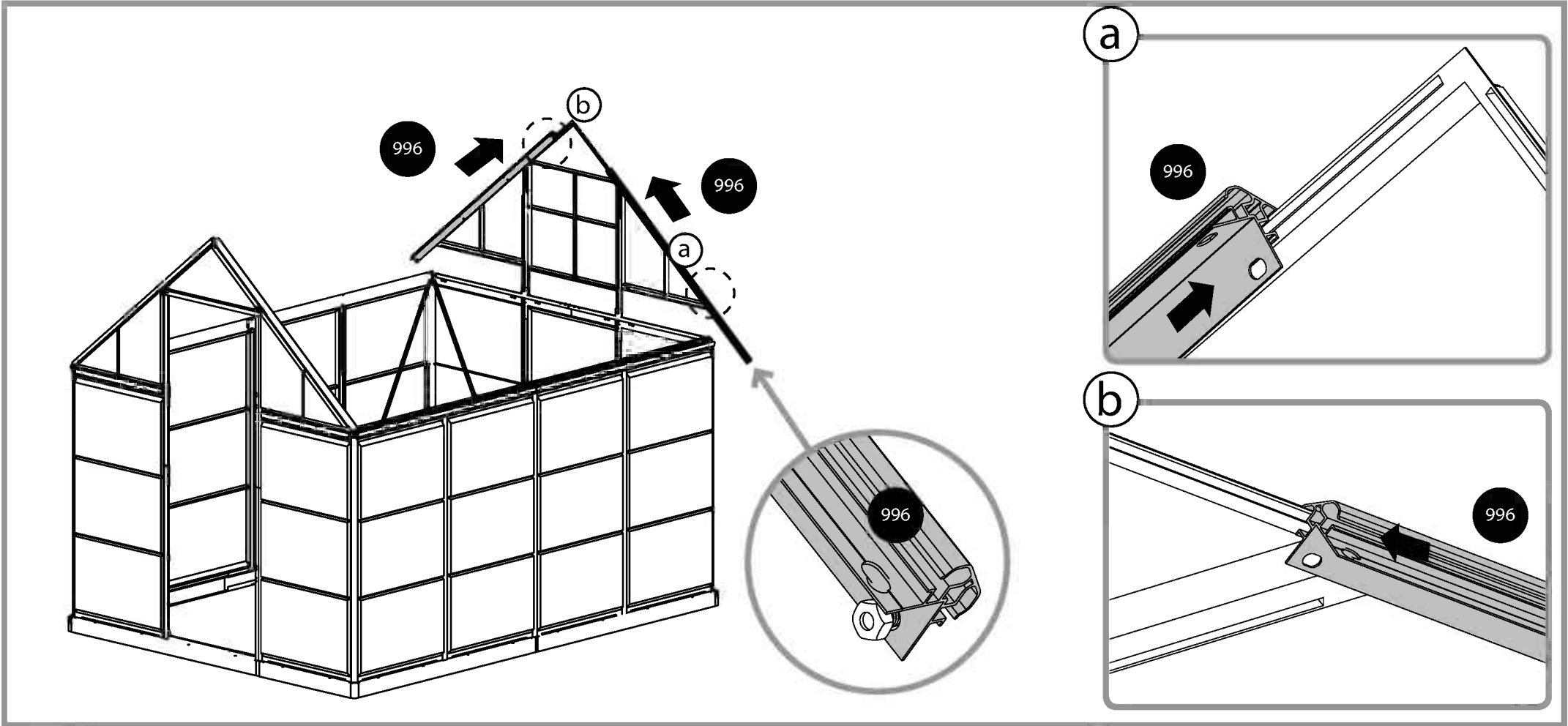
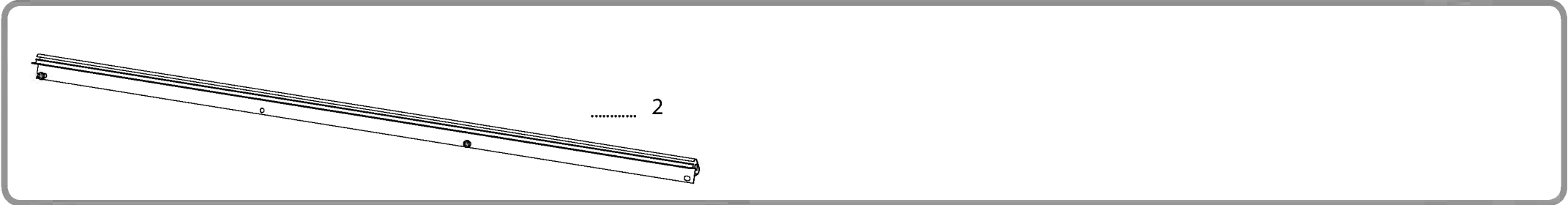
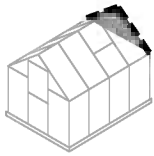
412

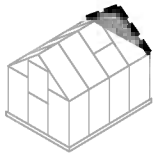
411



996

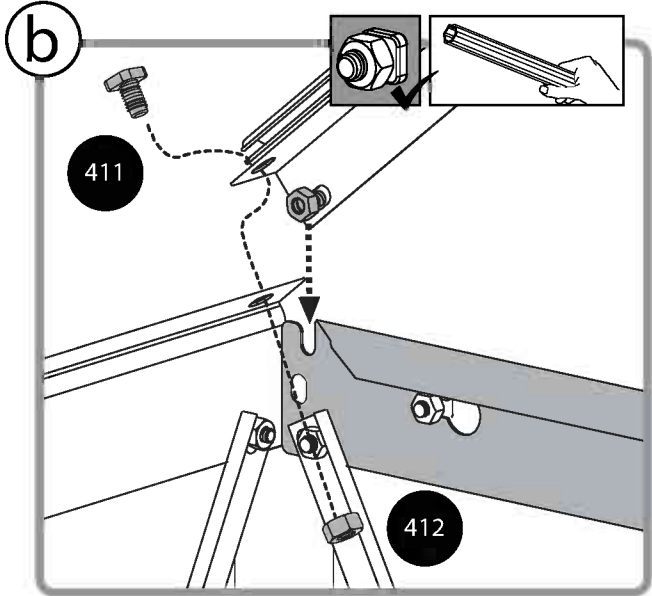
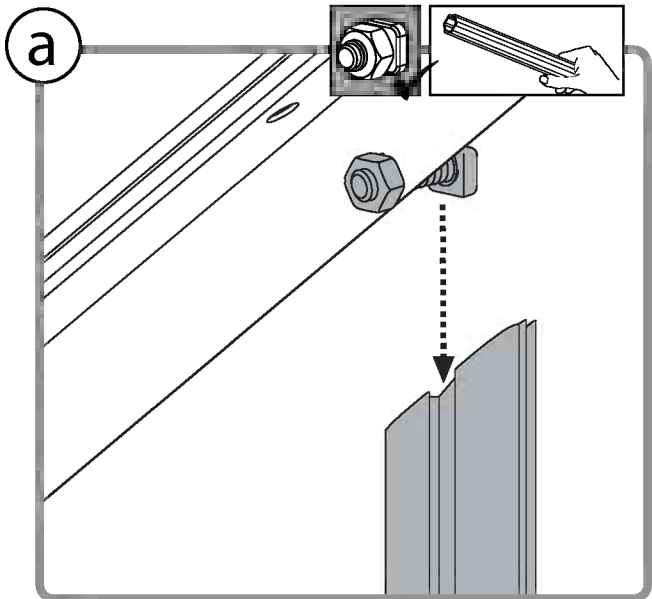
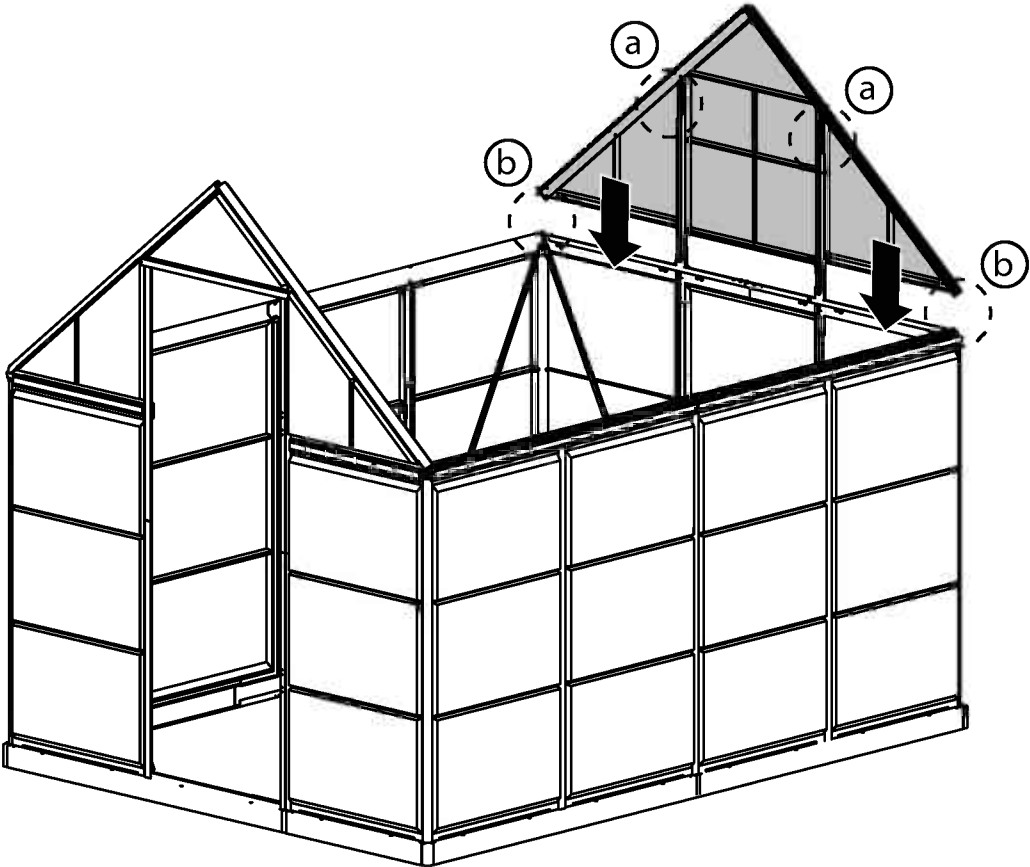
a

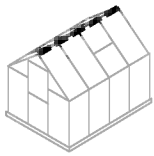
a





411  2 412  2





07 1

977.....

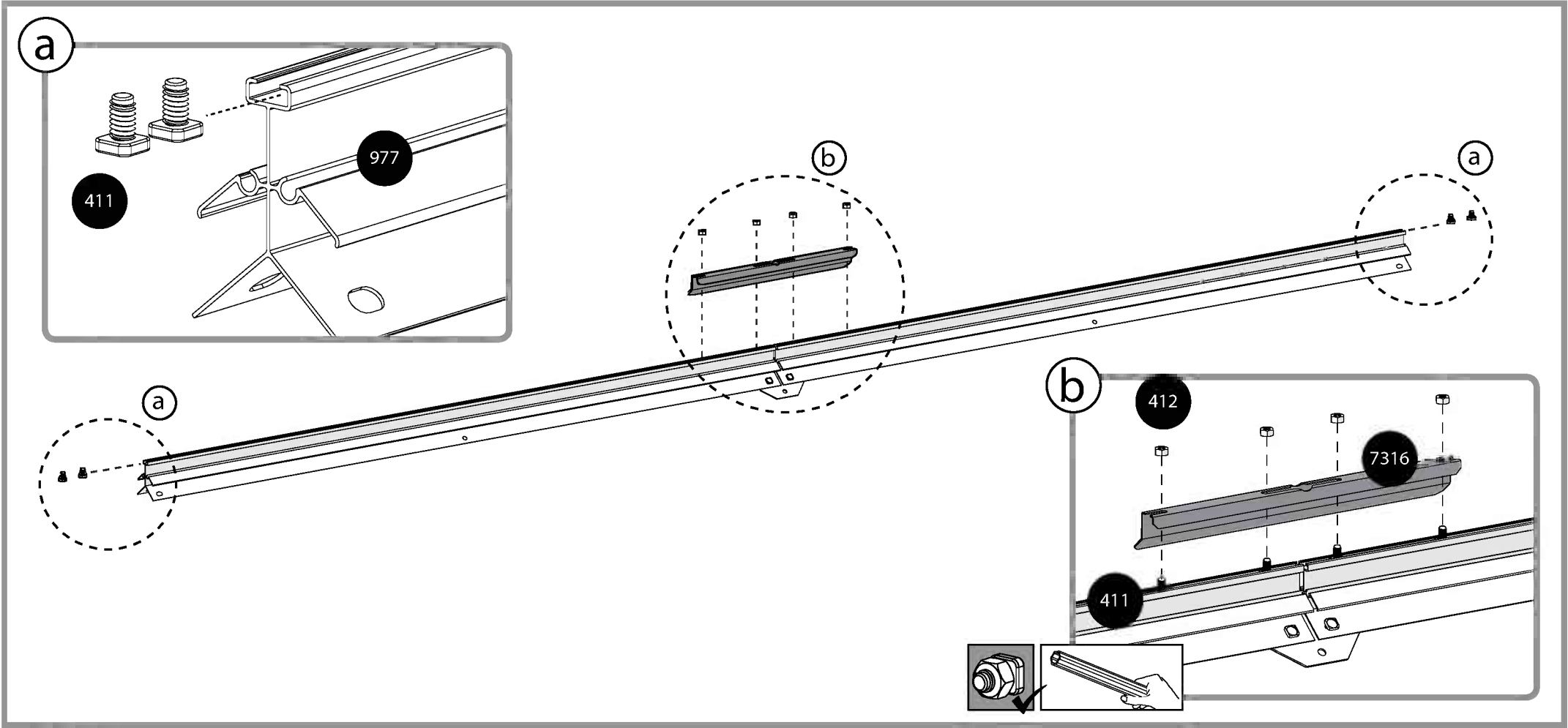
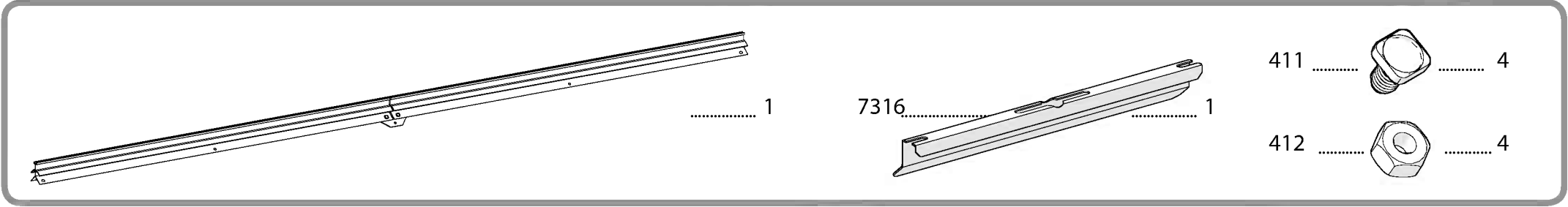
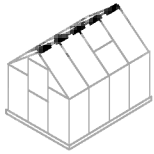
..... 2

411 4

412 4

a

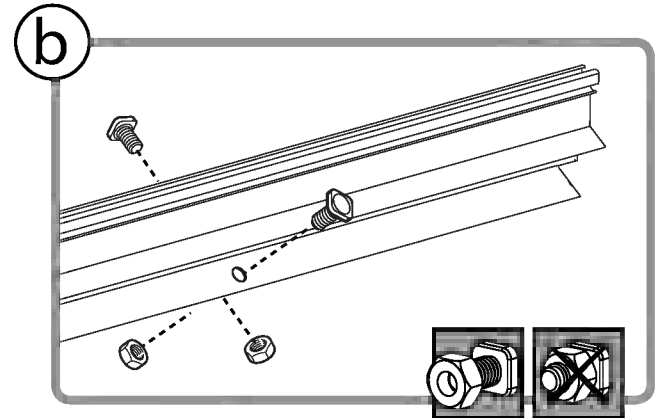
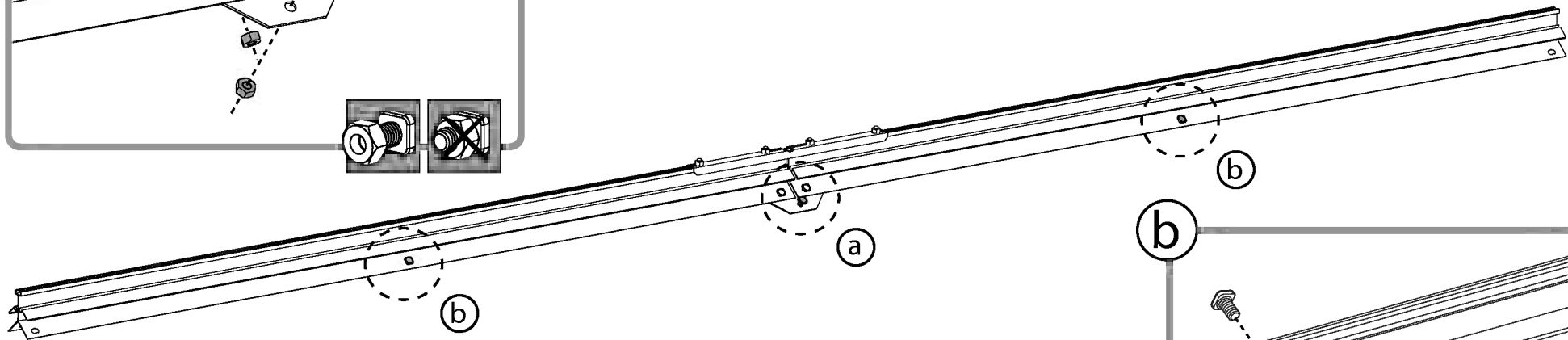
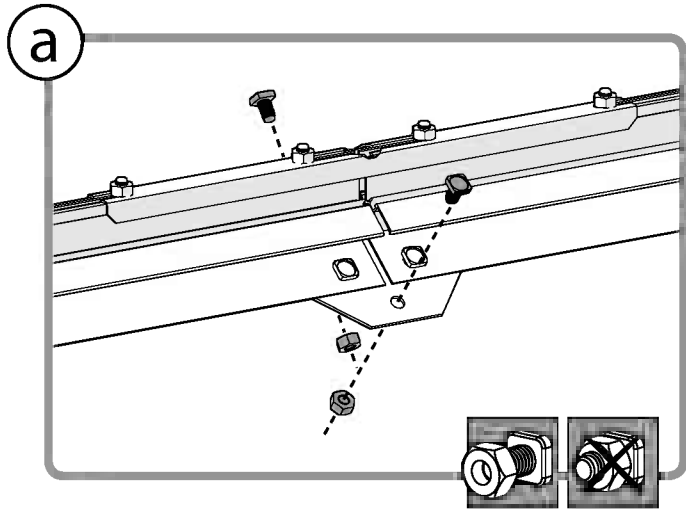
b





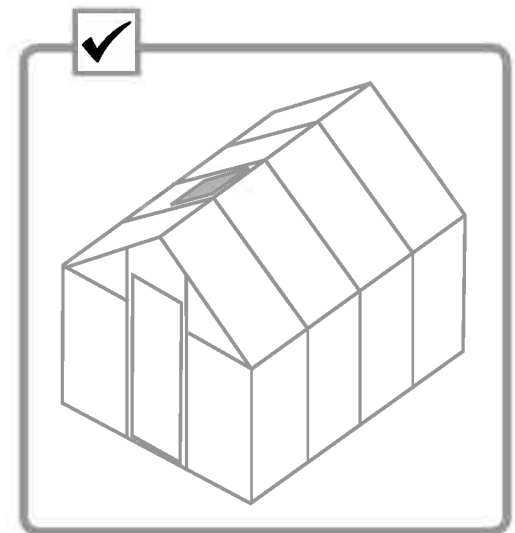
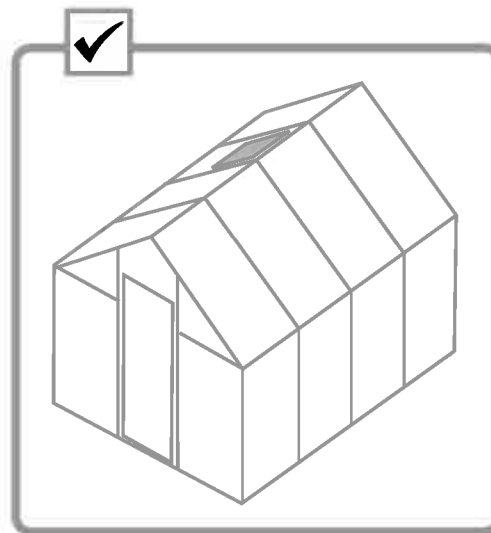
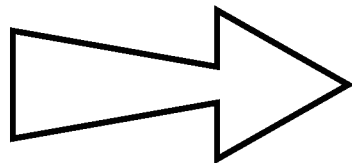
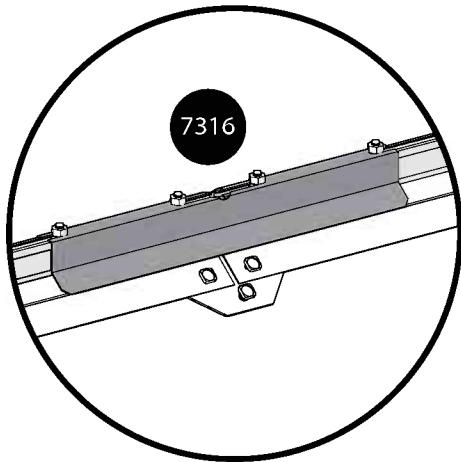
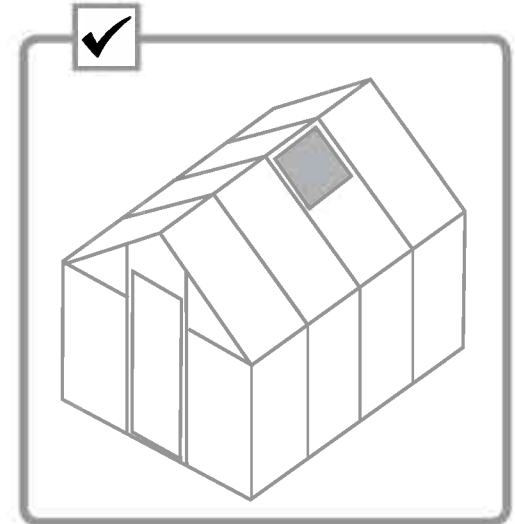
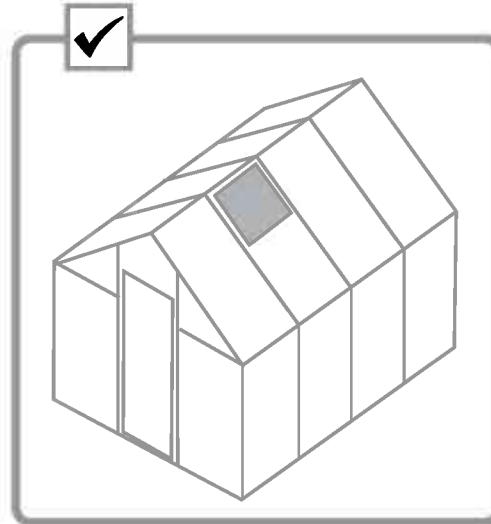
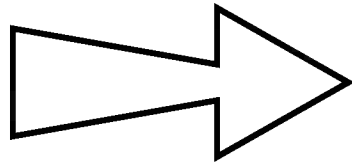
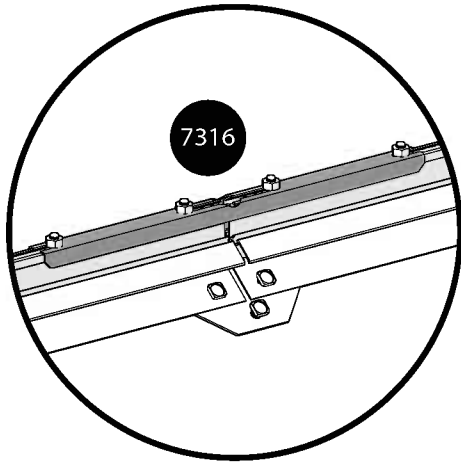
411  6

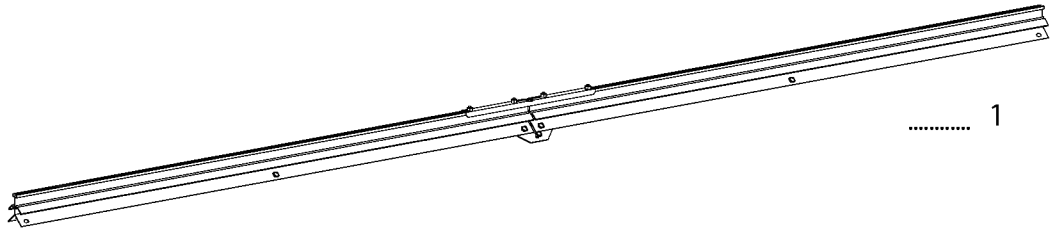
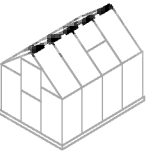
412  6



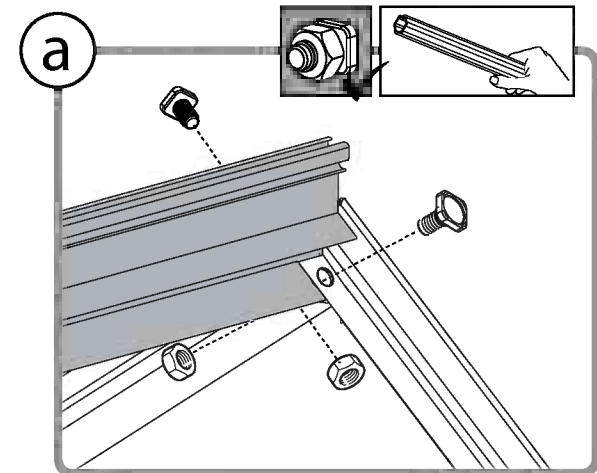
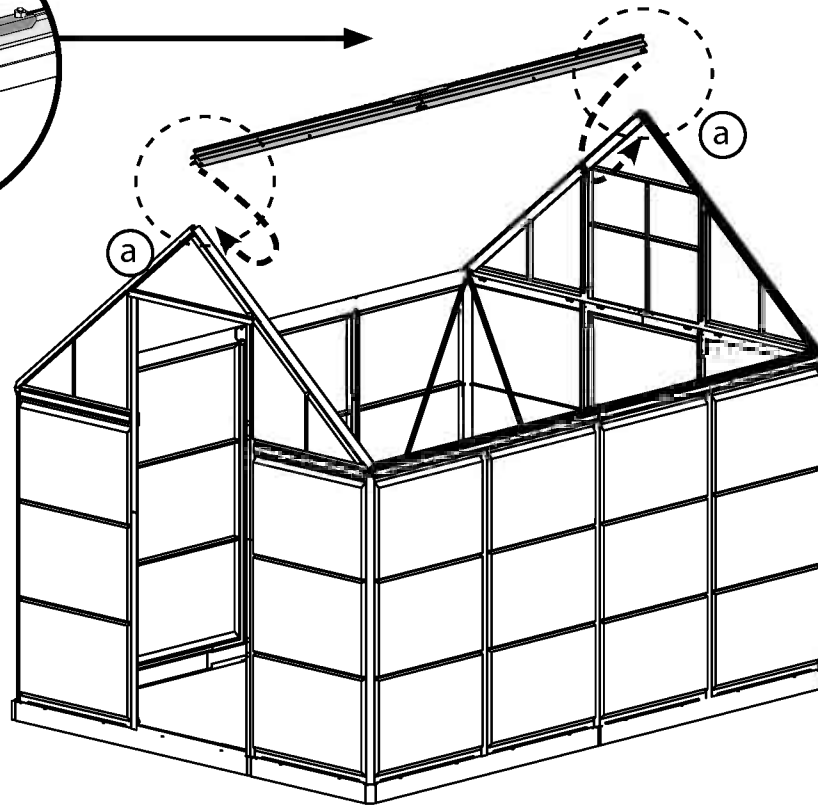
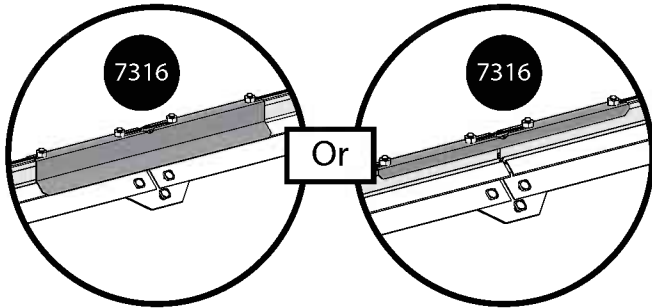


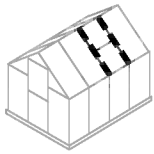
- EN** Windows Location
- GR** Fenster Standort
- FR** Fenêtre Emplacement
- SP** Ventana Ubicación



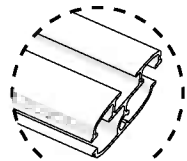
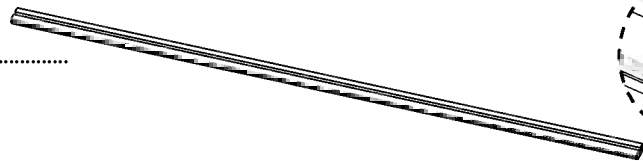


..... 1



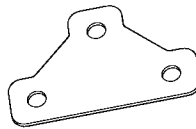


993



..... 2

288



..... 2

411



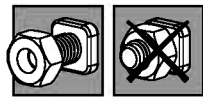
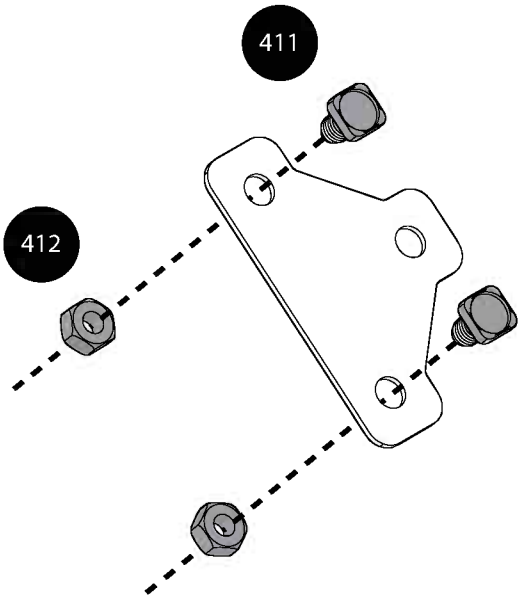
..... 4

412

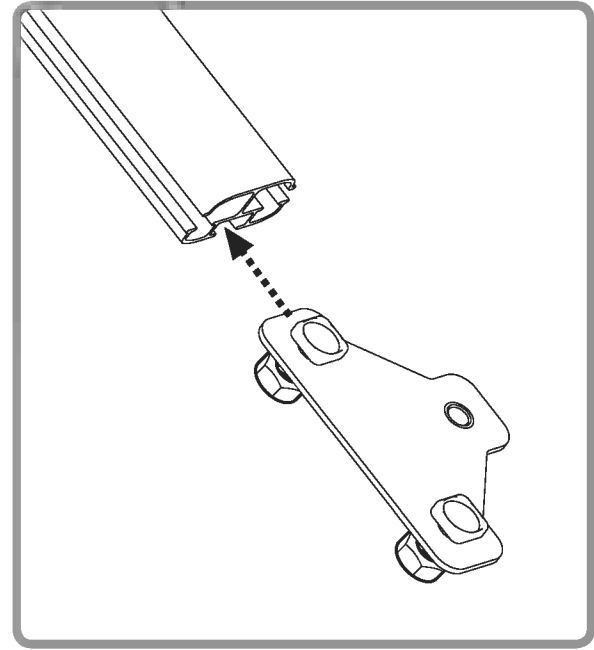
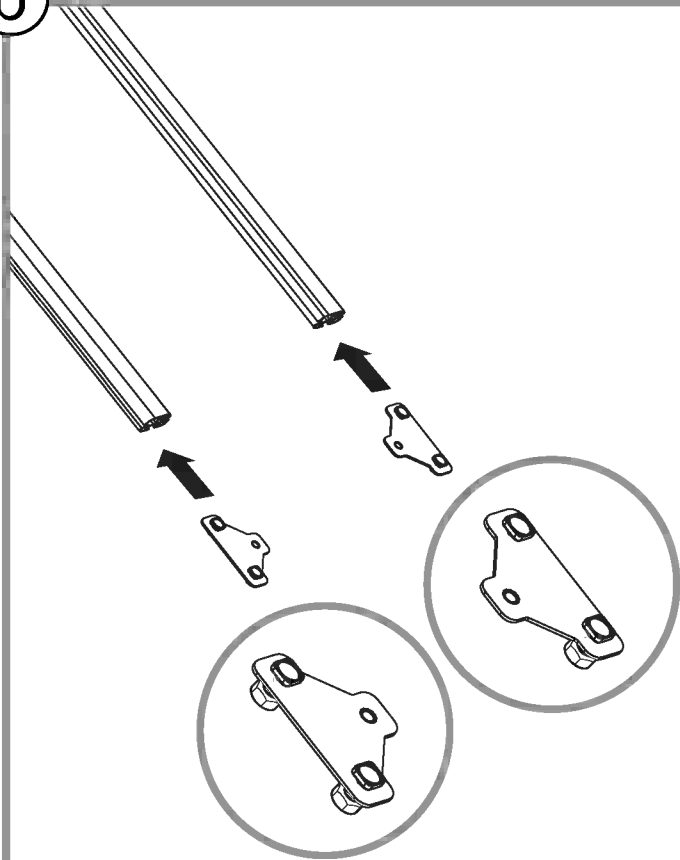


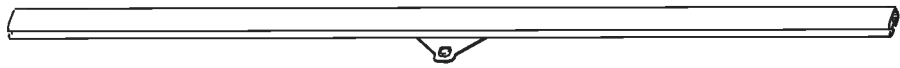
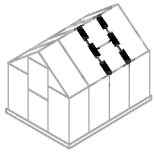
..... 4

a



b





..... 2



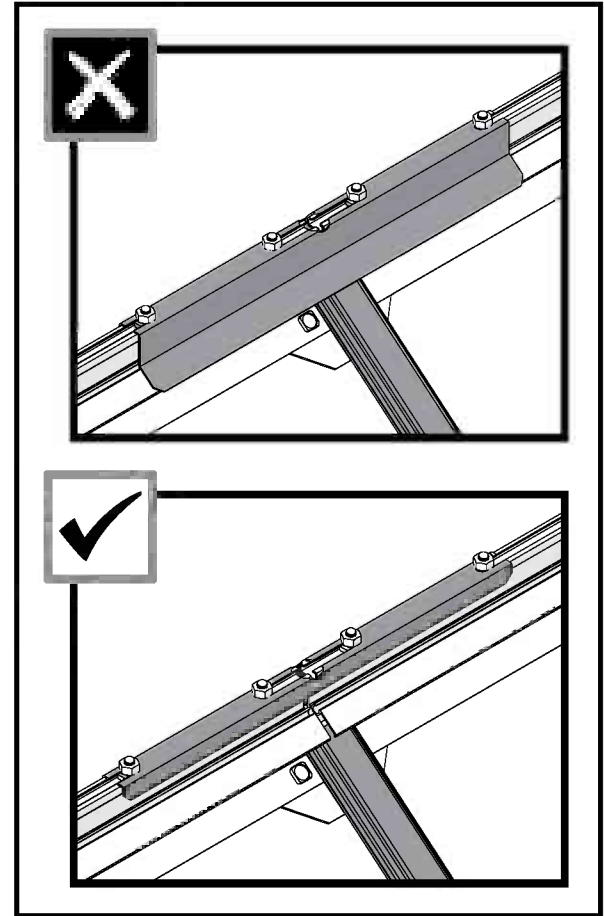
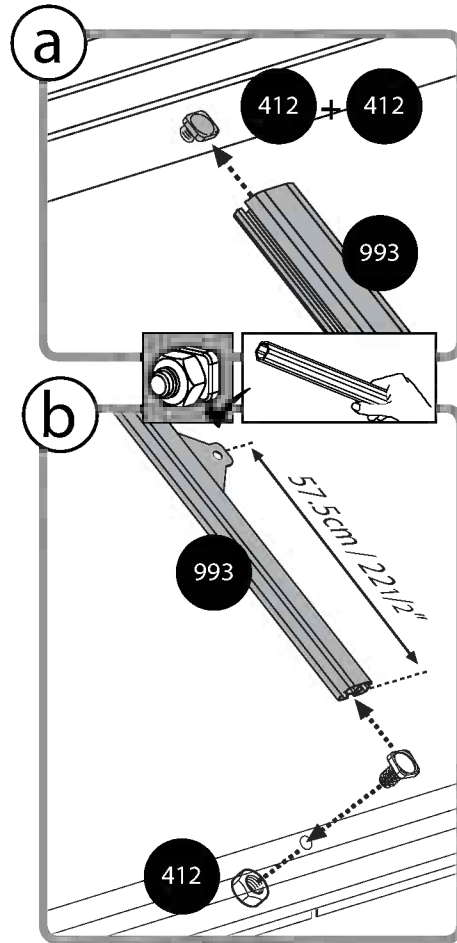
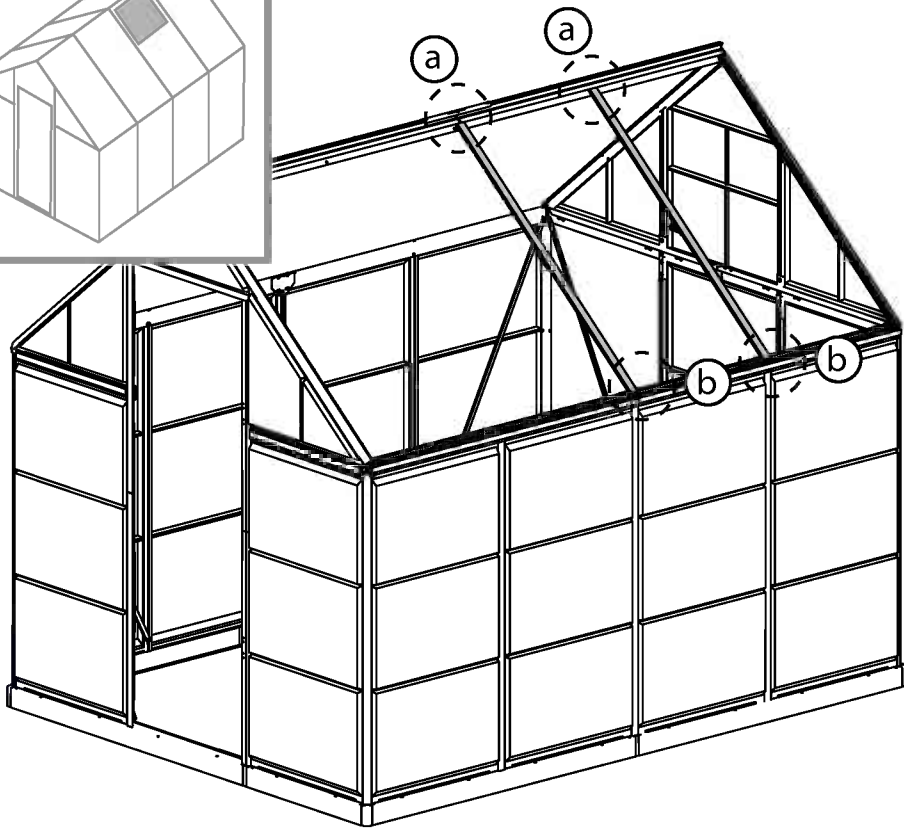
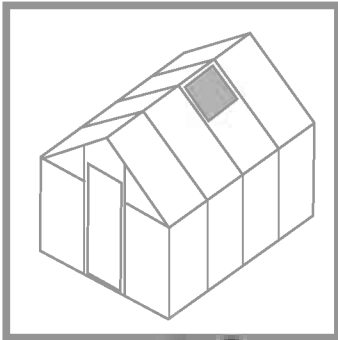
411

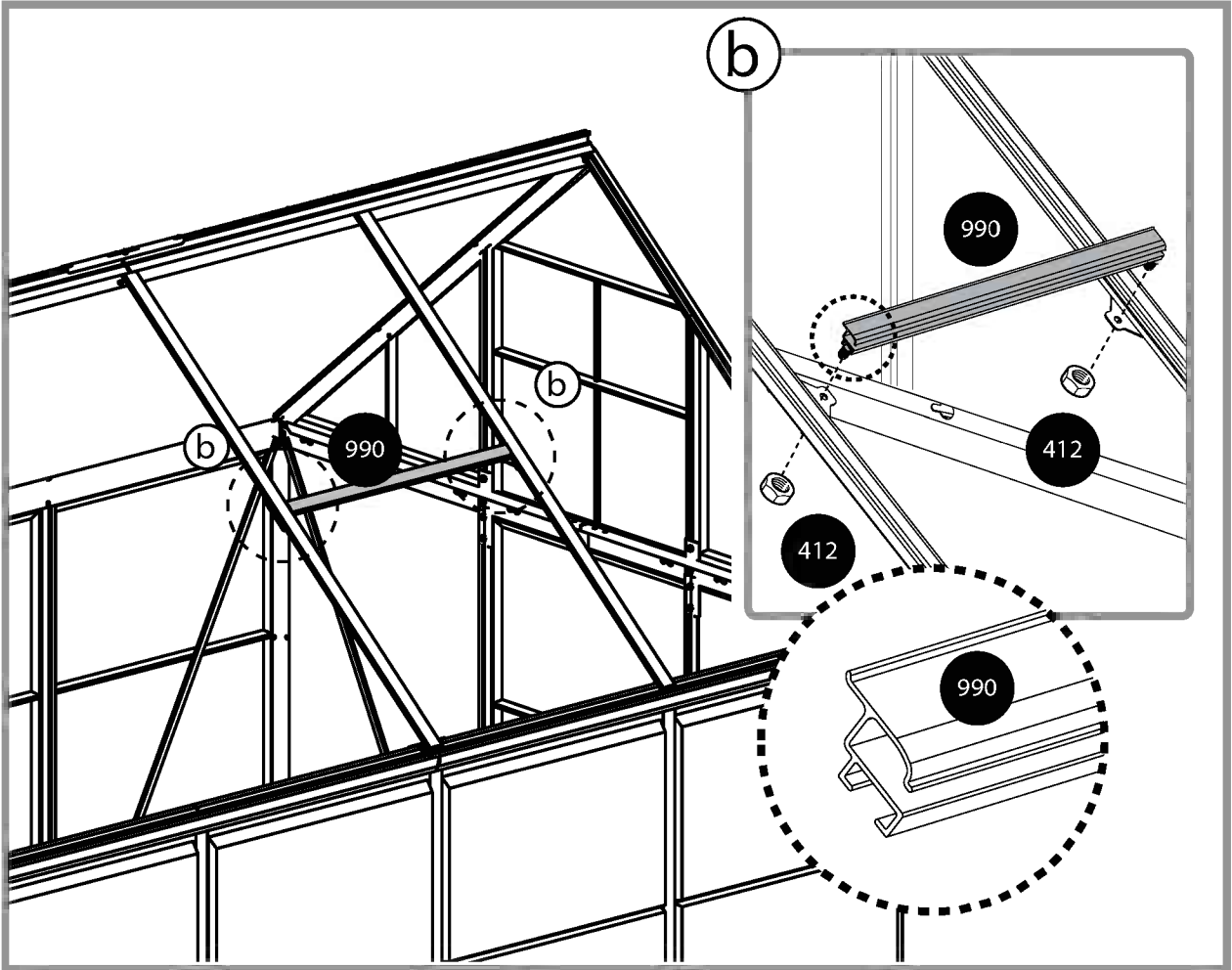
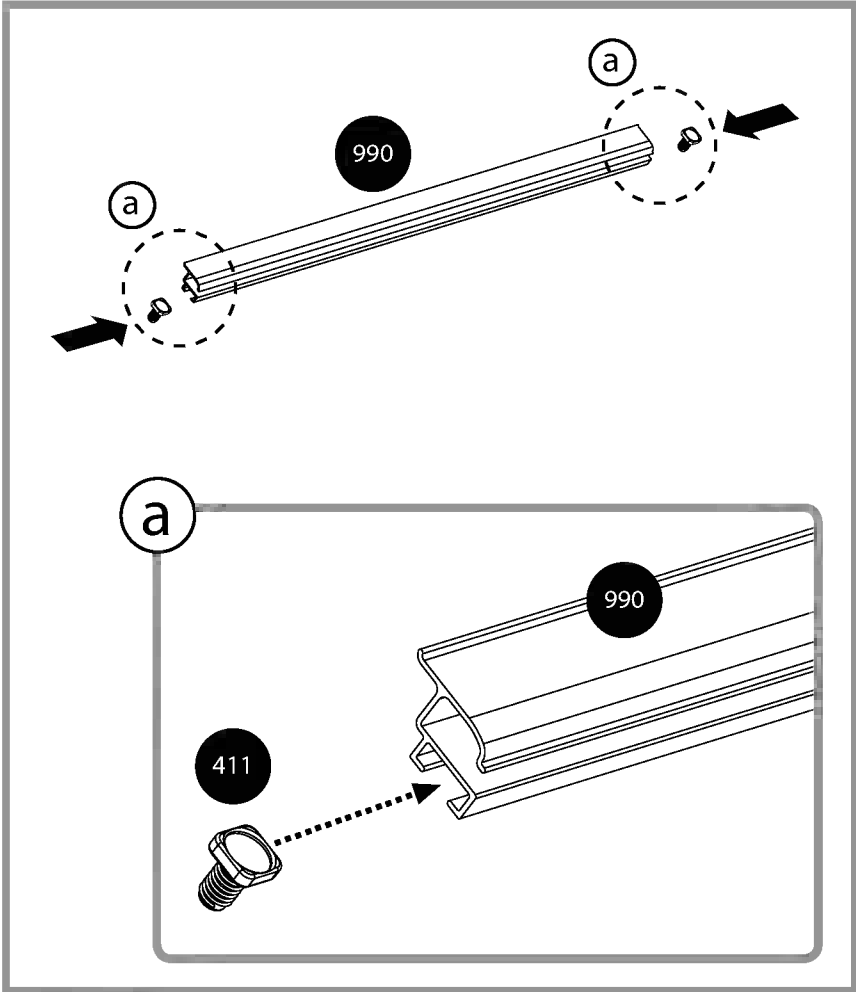
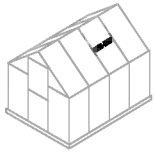
..... 2

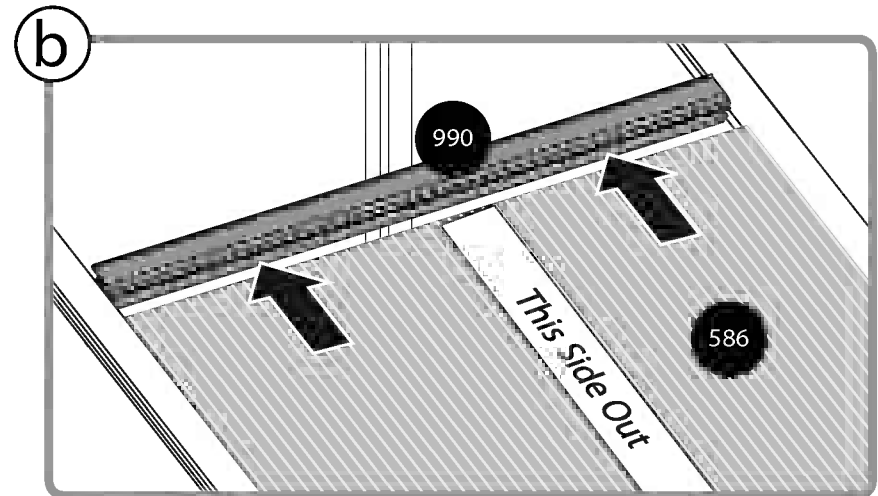
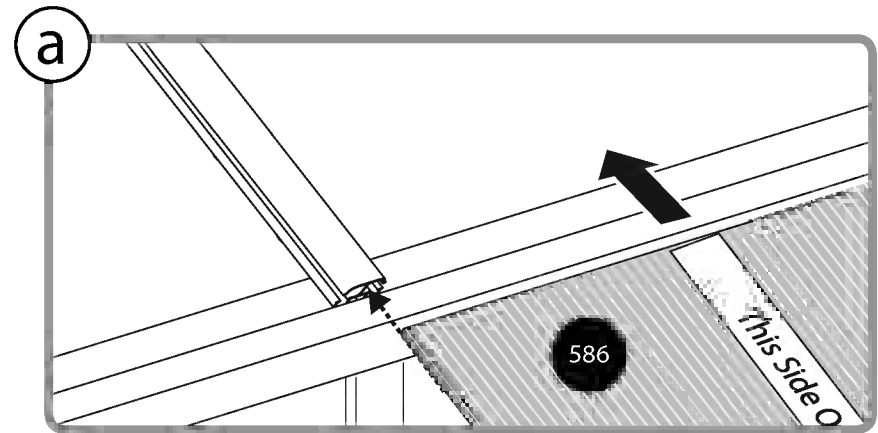
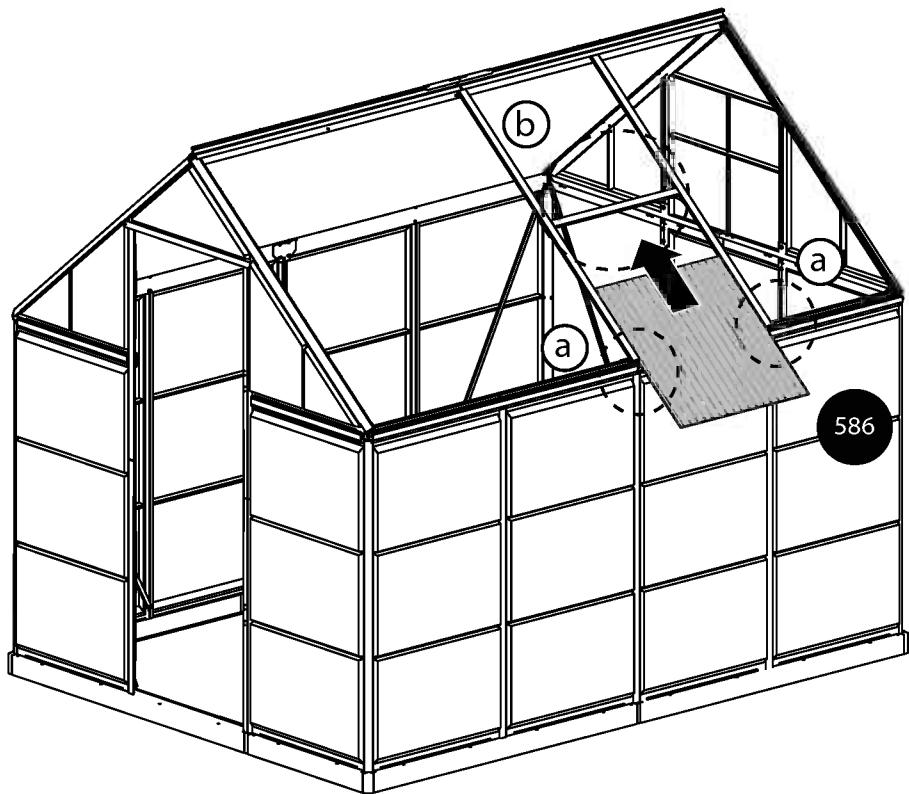
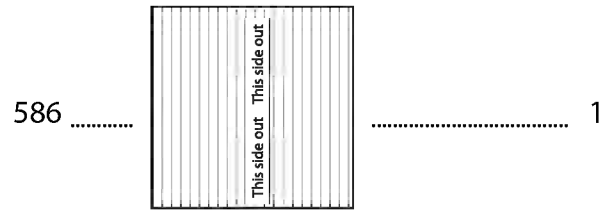


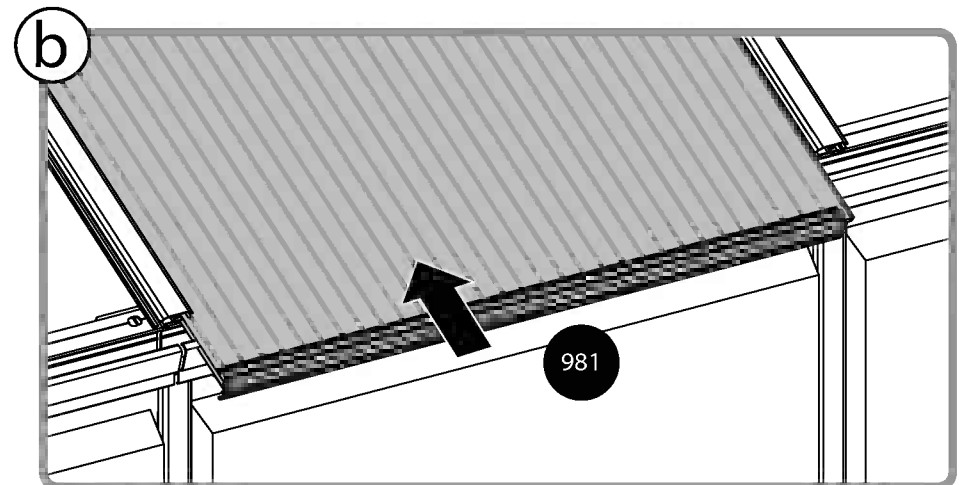
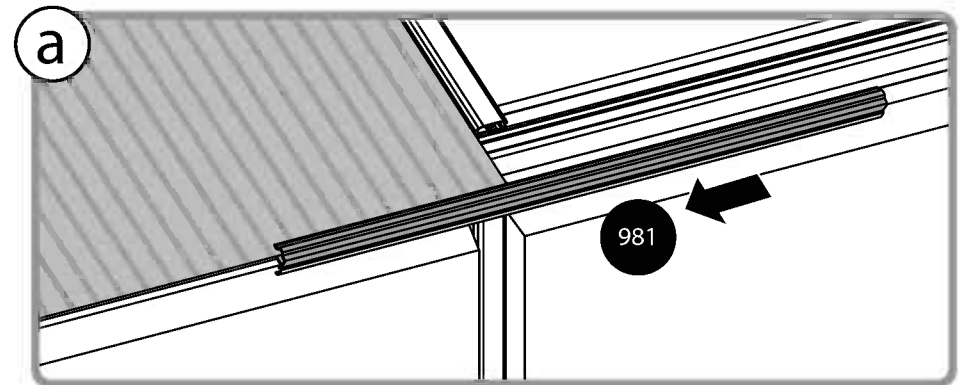
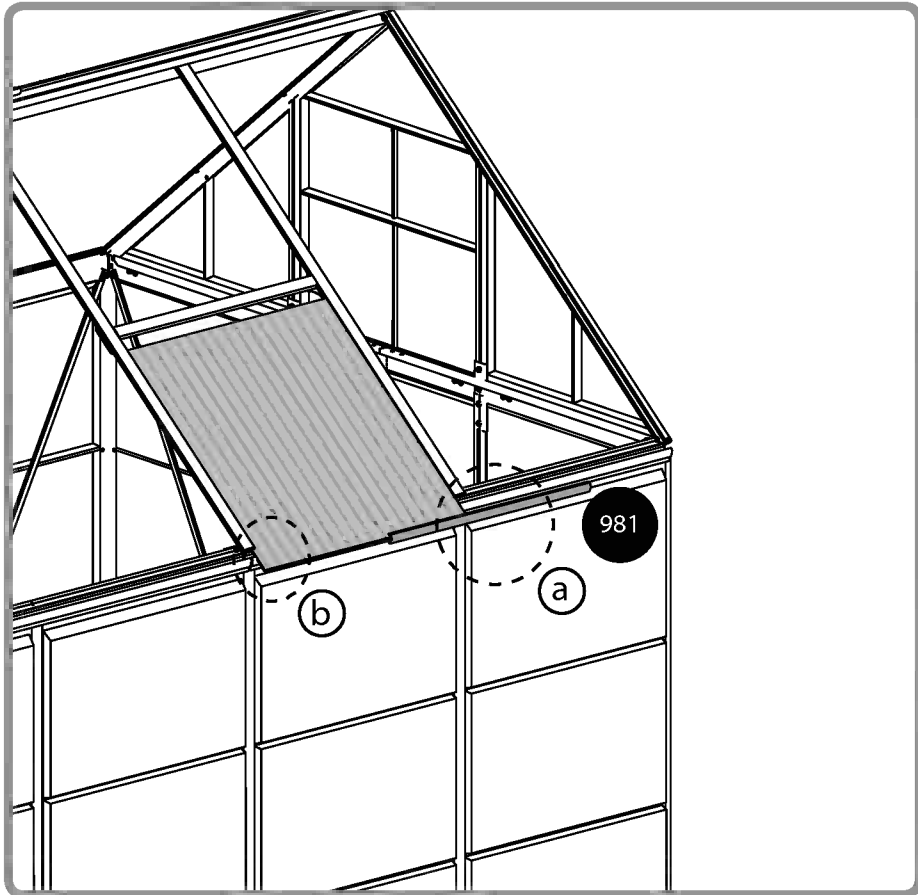
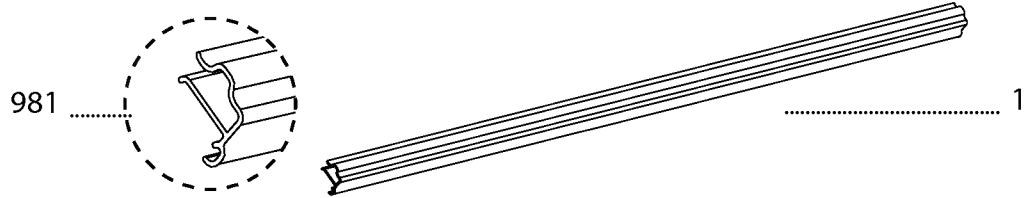
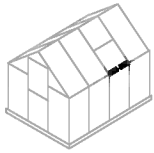
412

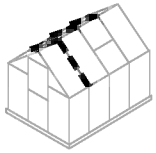
..... 2



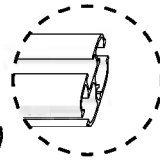








993



..... 4

411

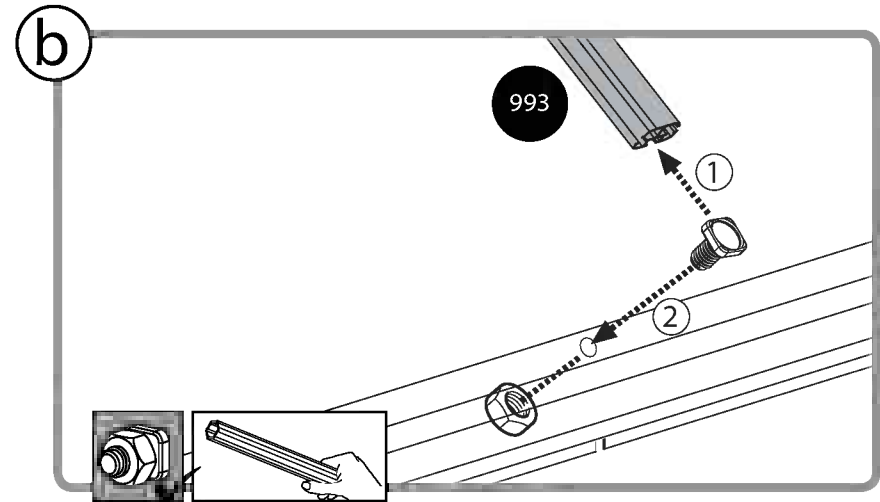
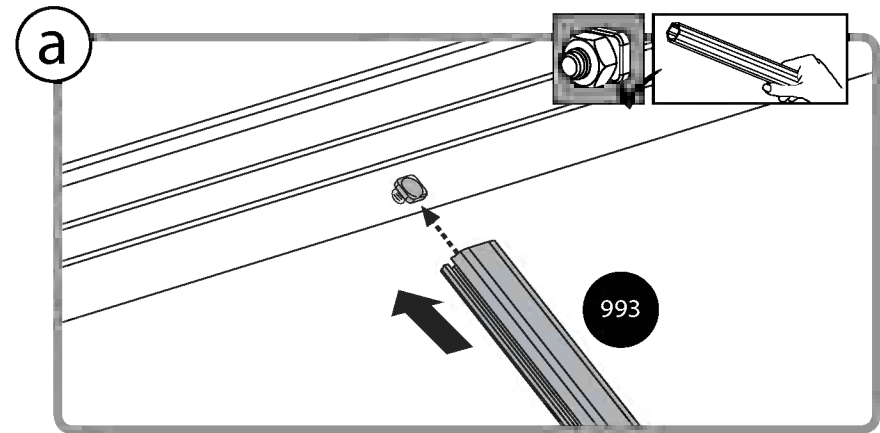
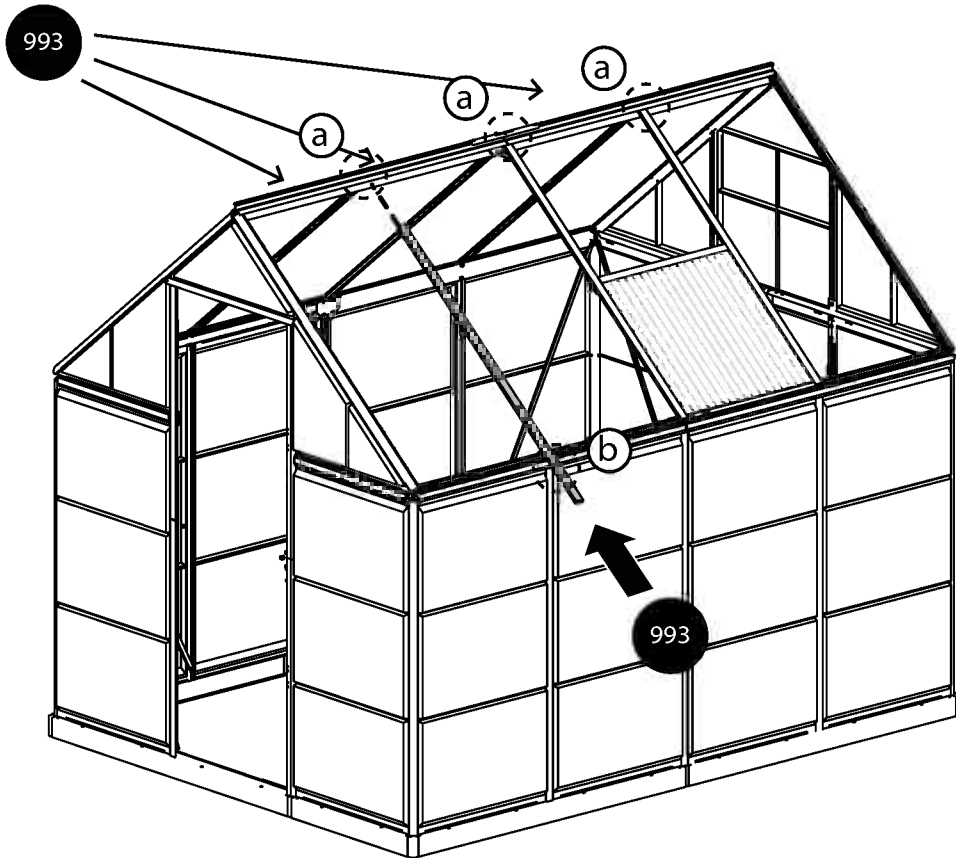


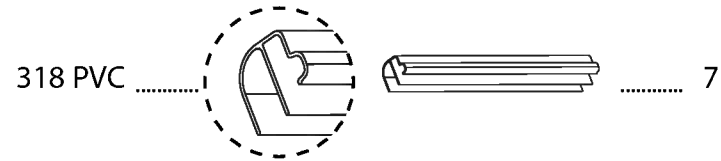
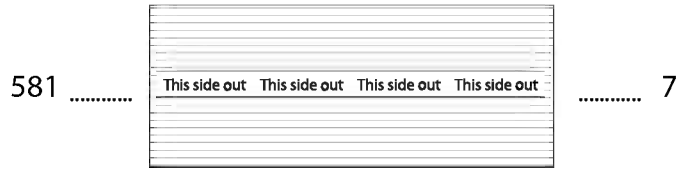
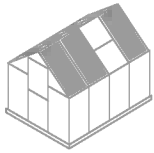
..... 4

412

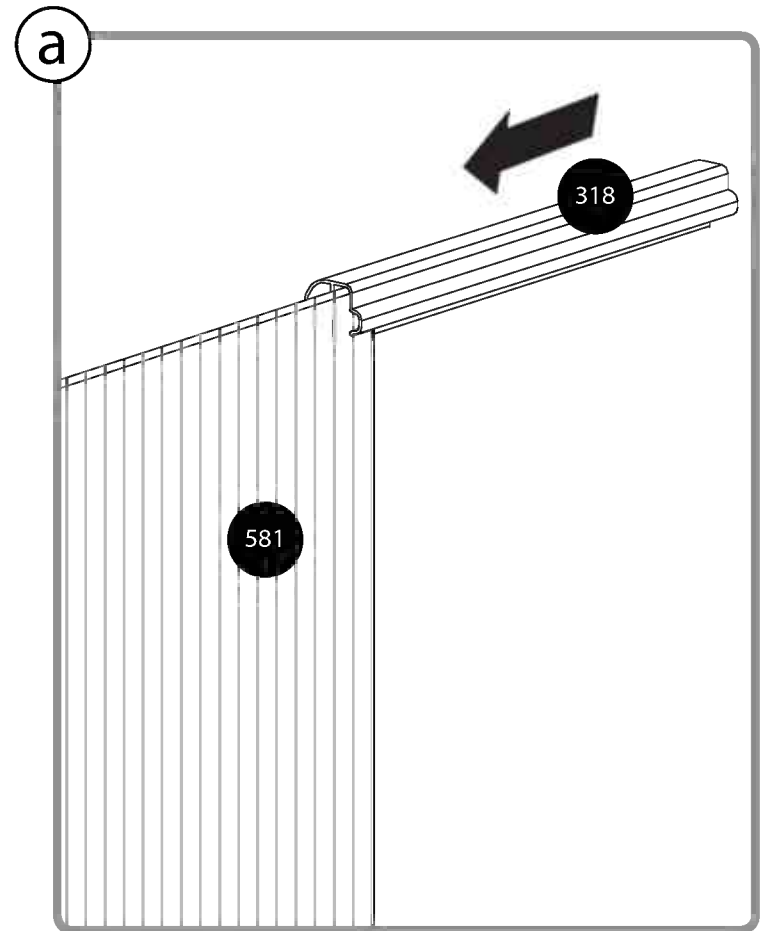
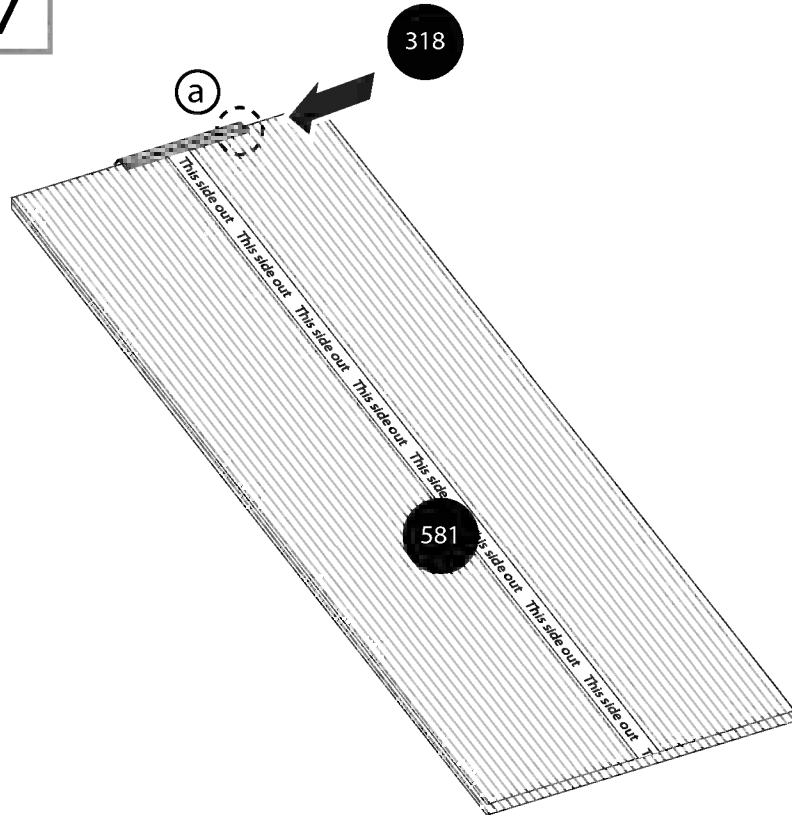


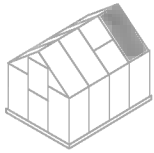
..... 4





x7



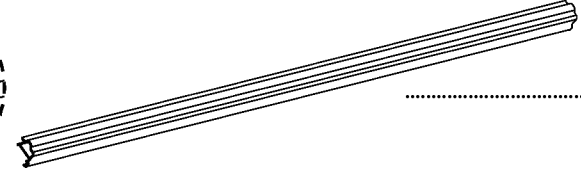
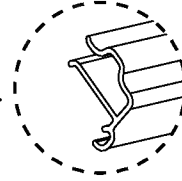


581 + 318 PVC

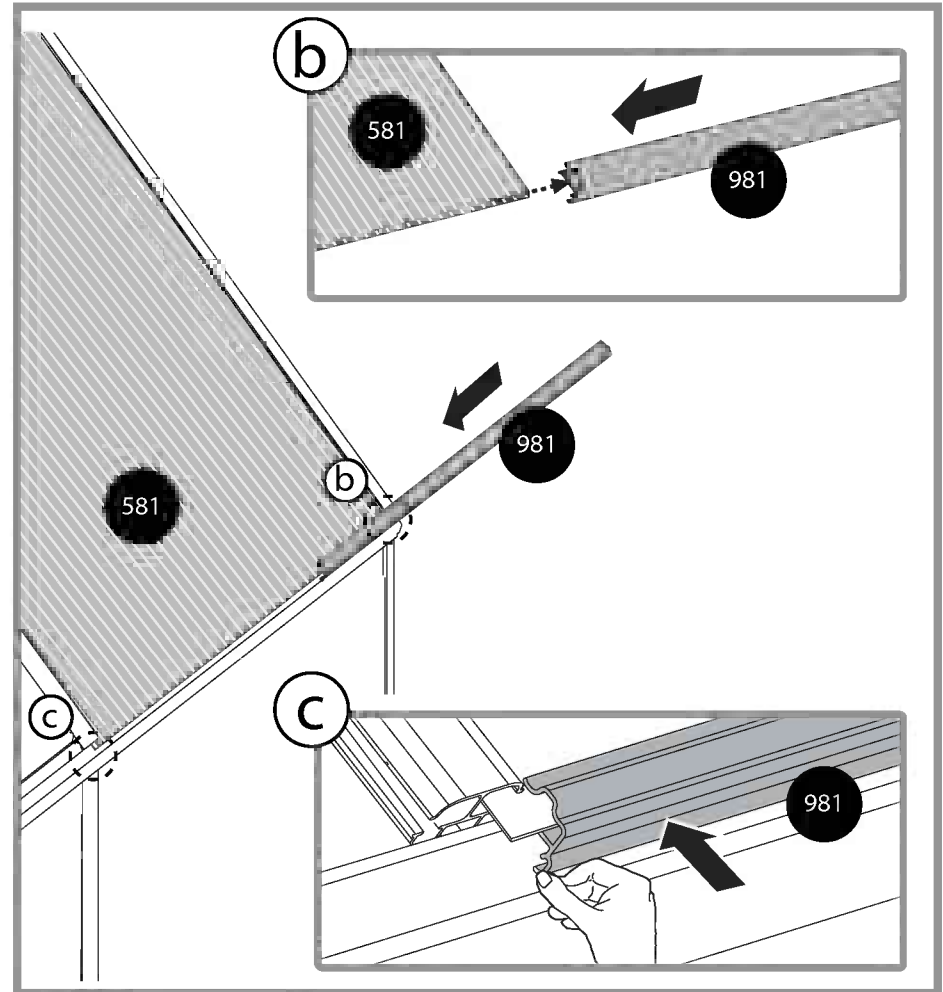
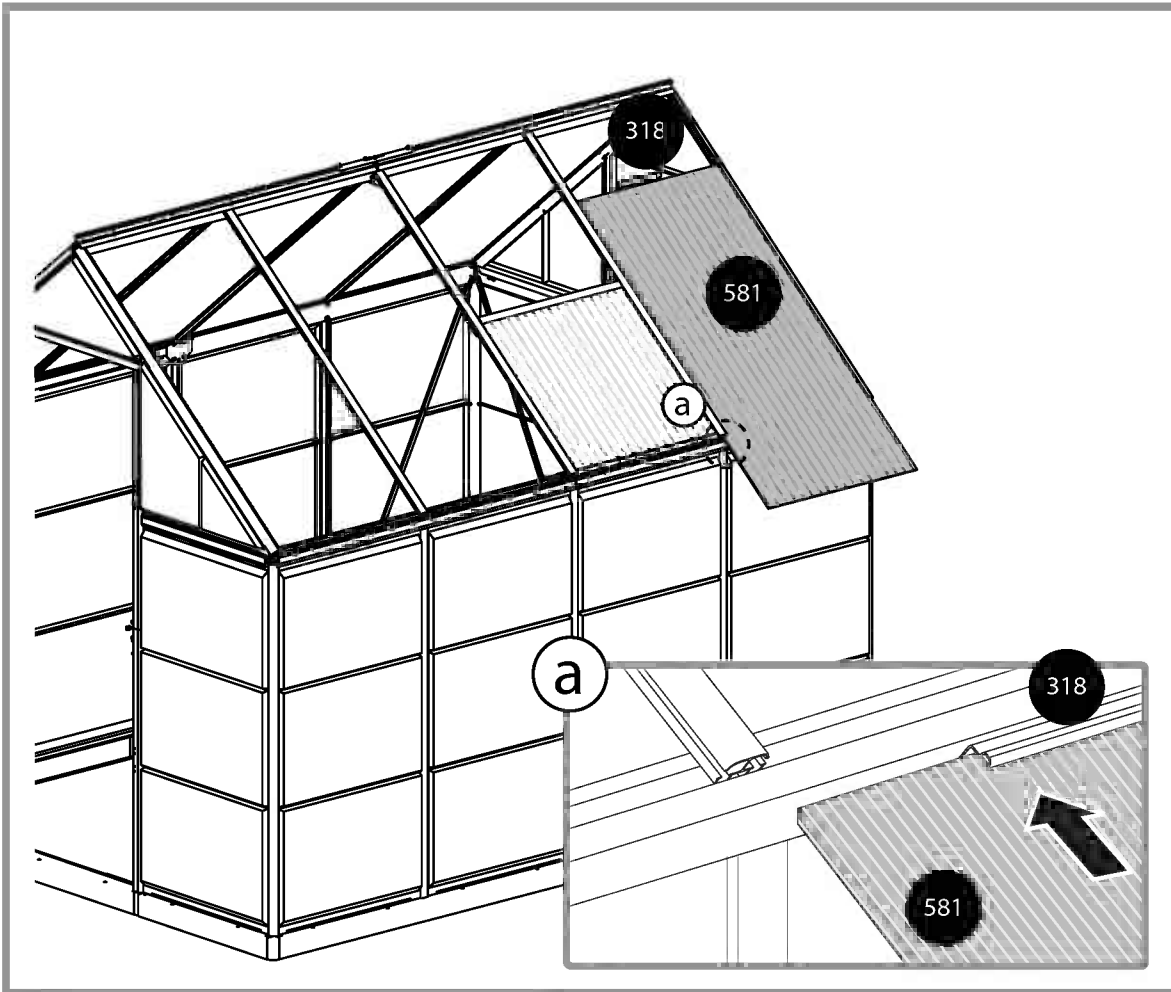


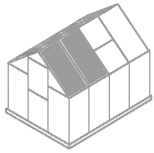
..... 1

981


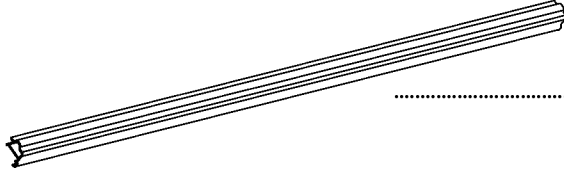


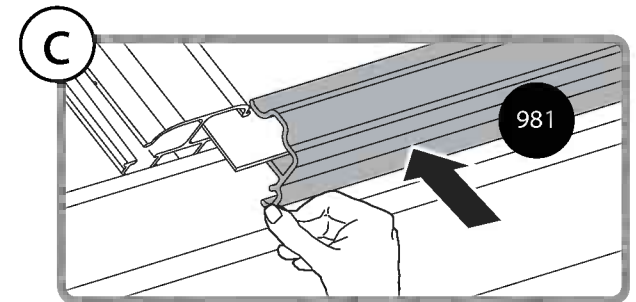
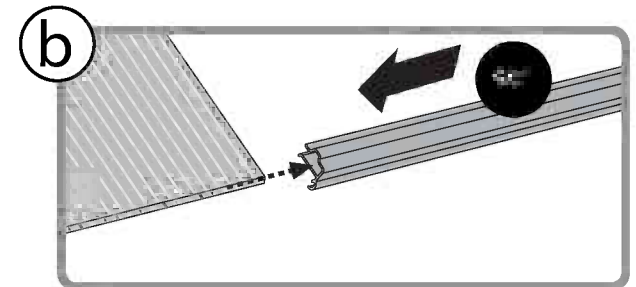
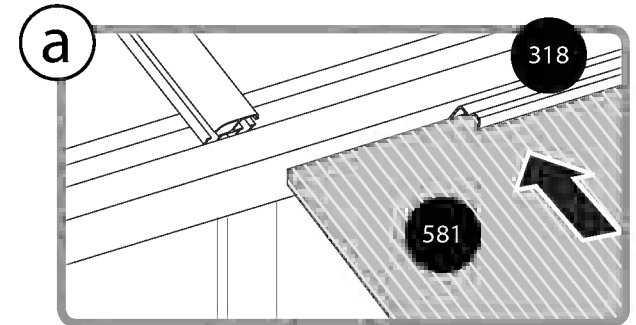
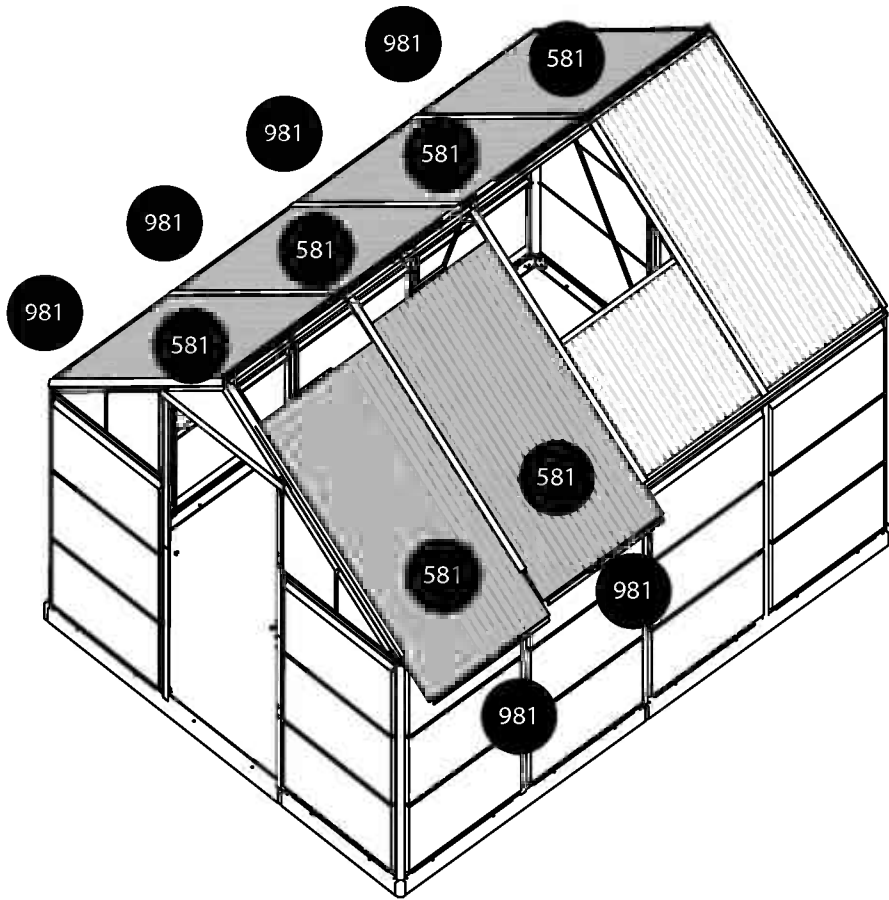
..... 1

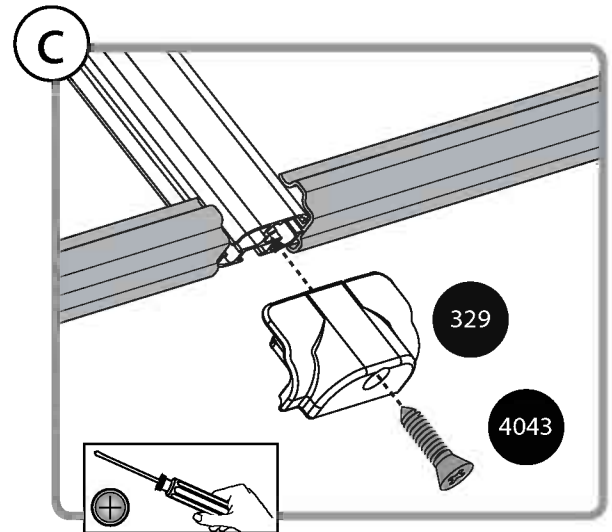
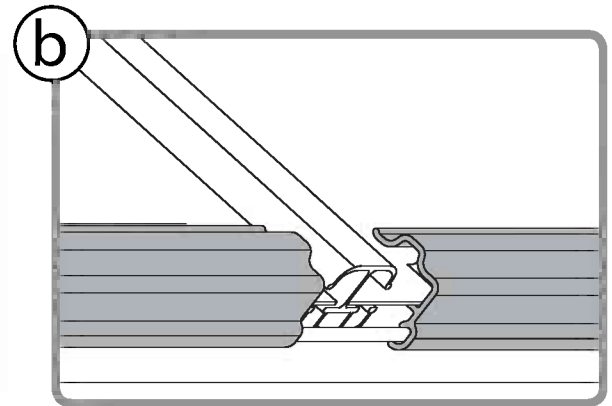
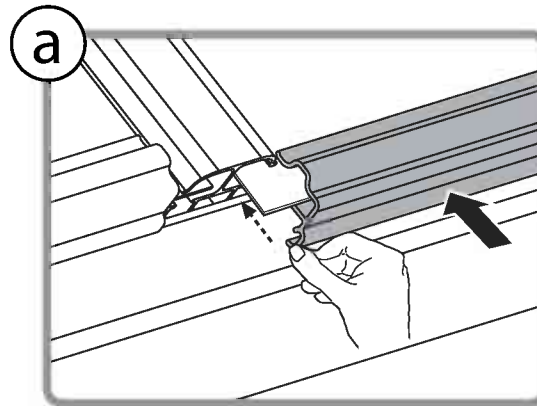
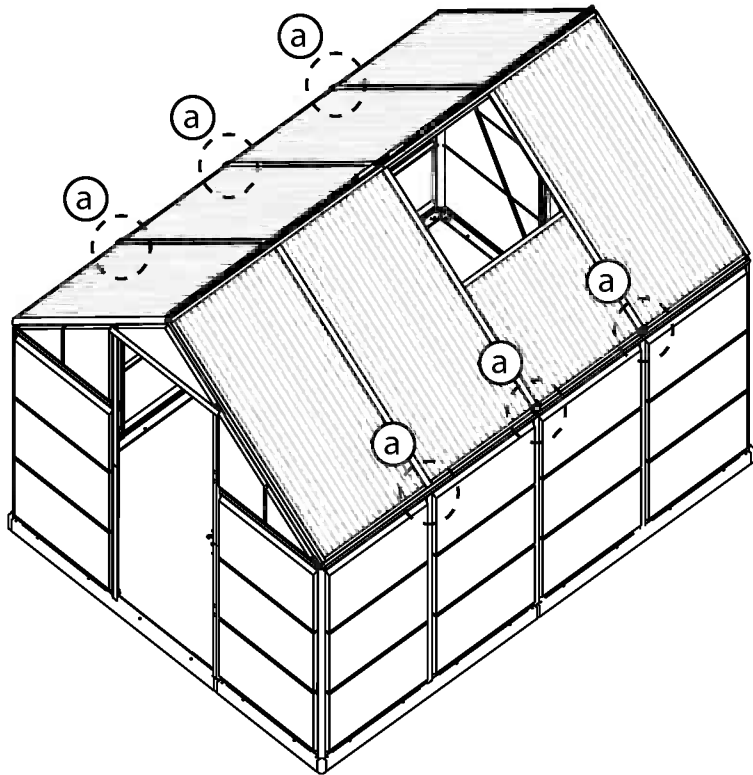
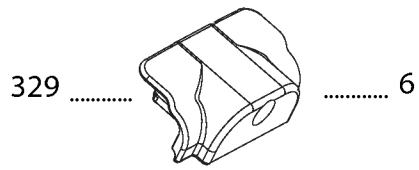
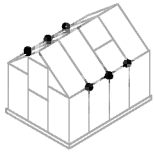


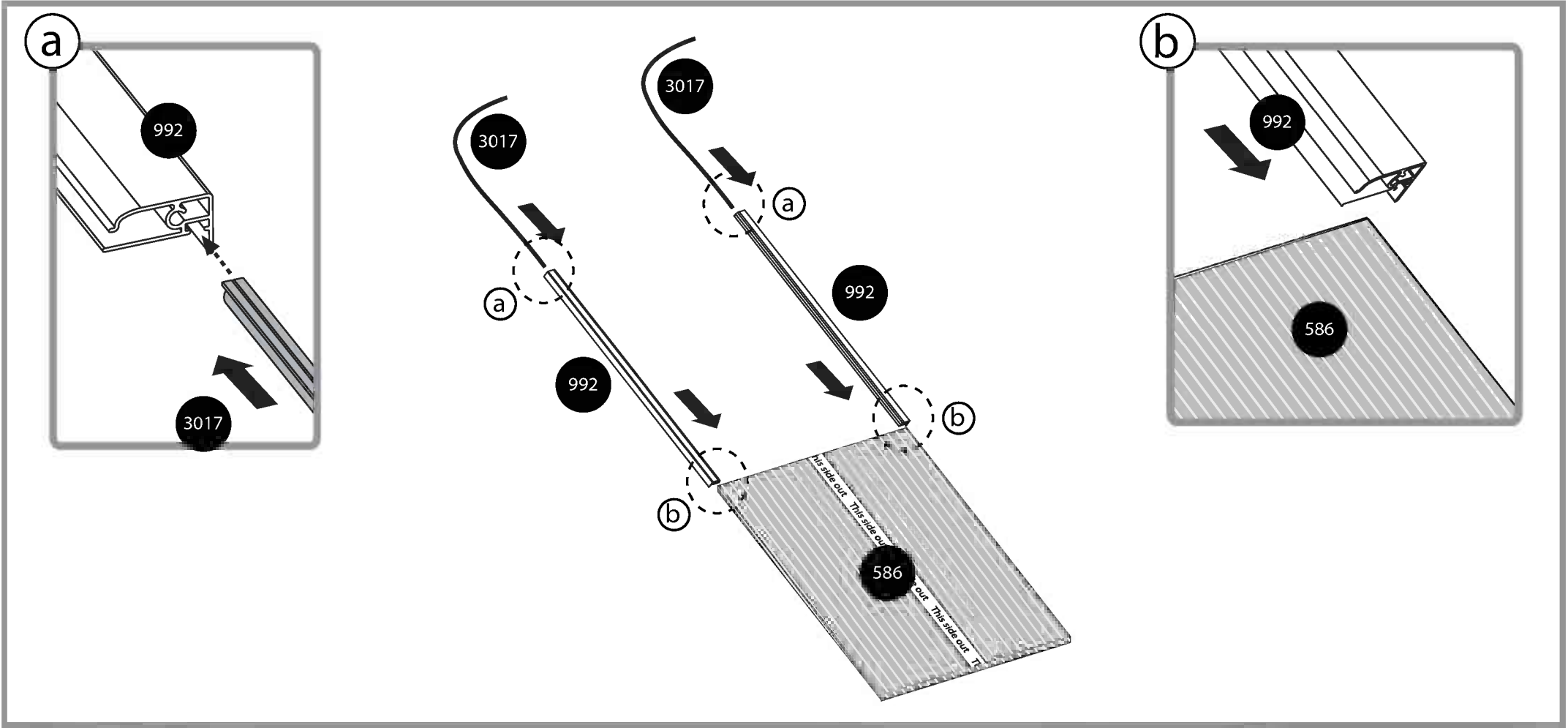
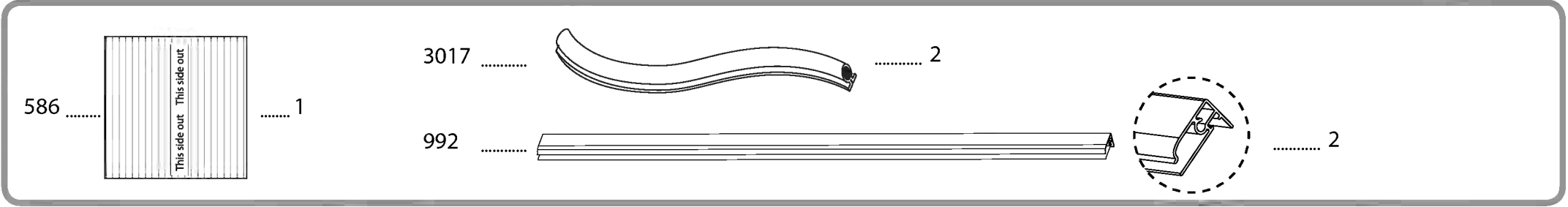


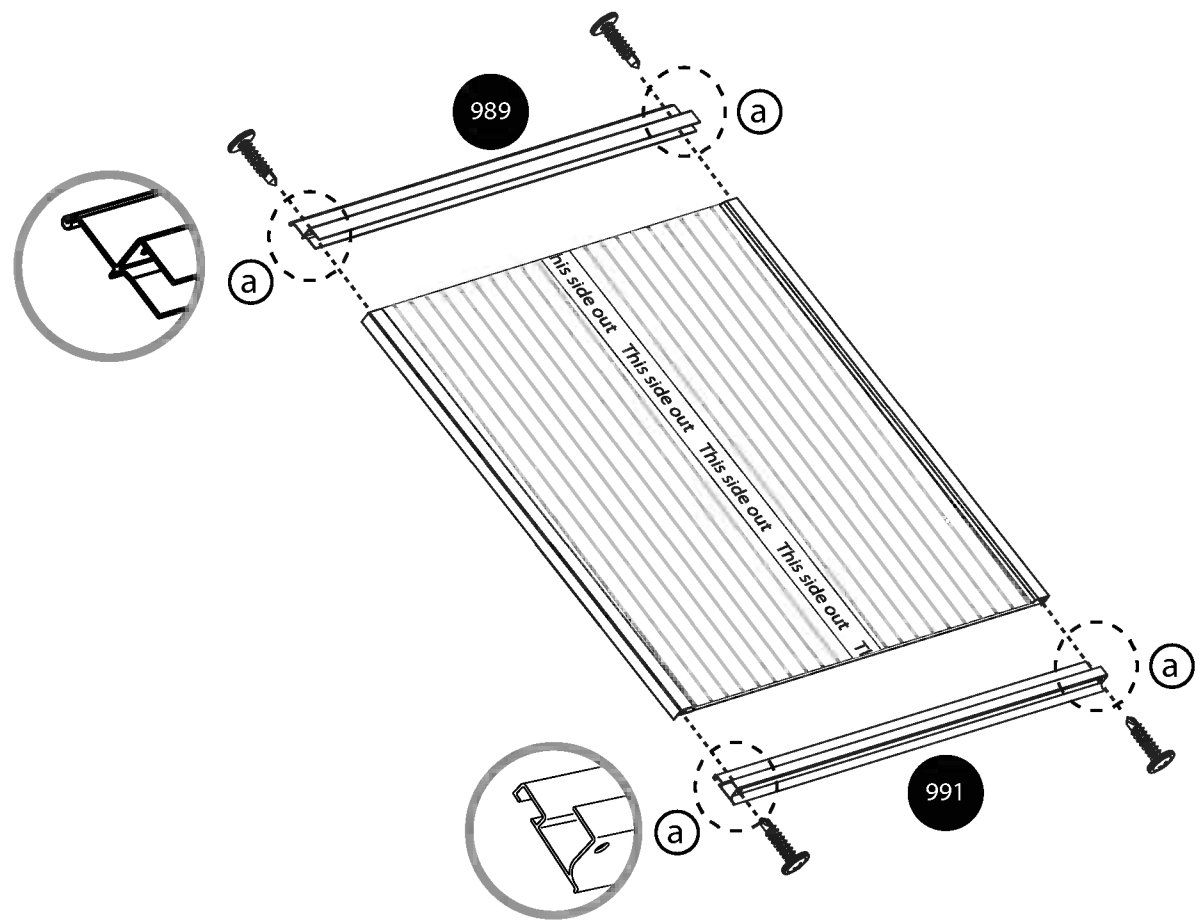
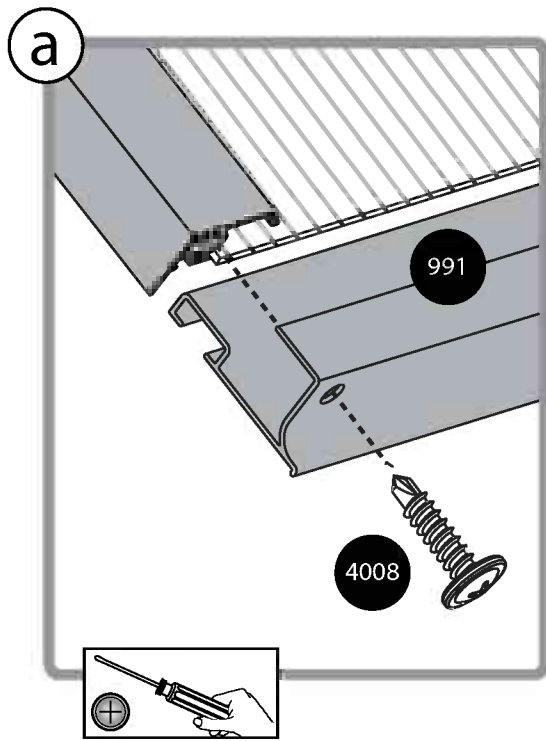
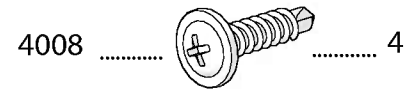
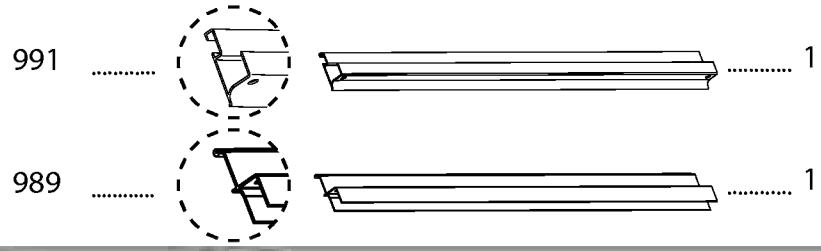
581 + 318 PVC  6

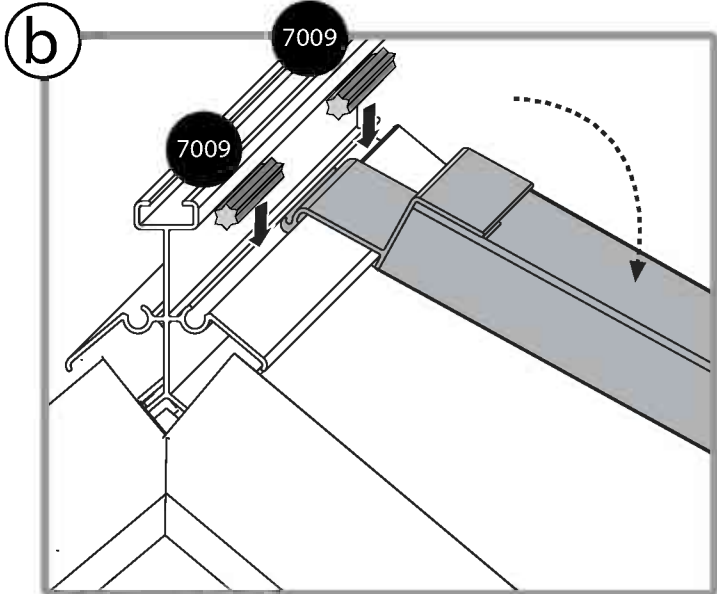
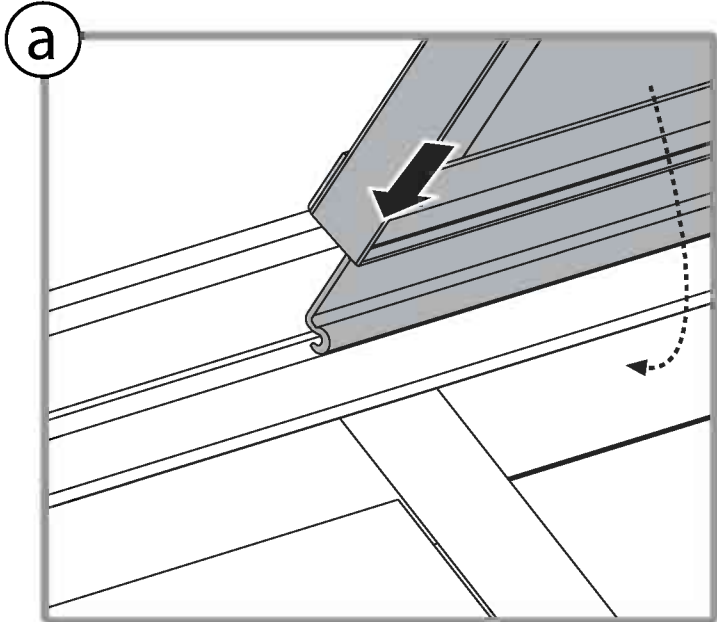
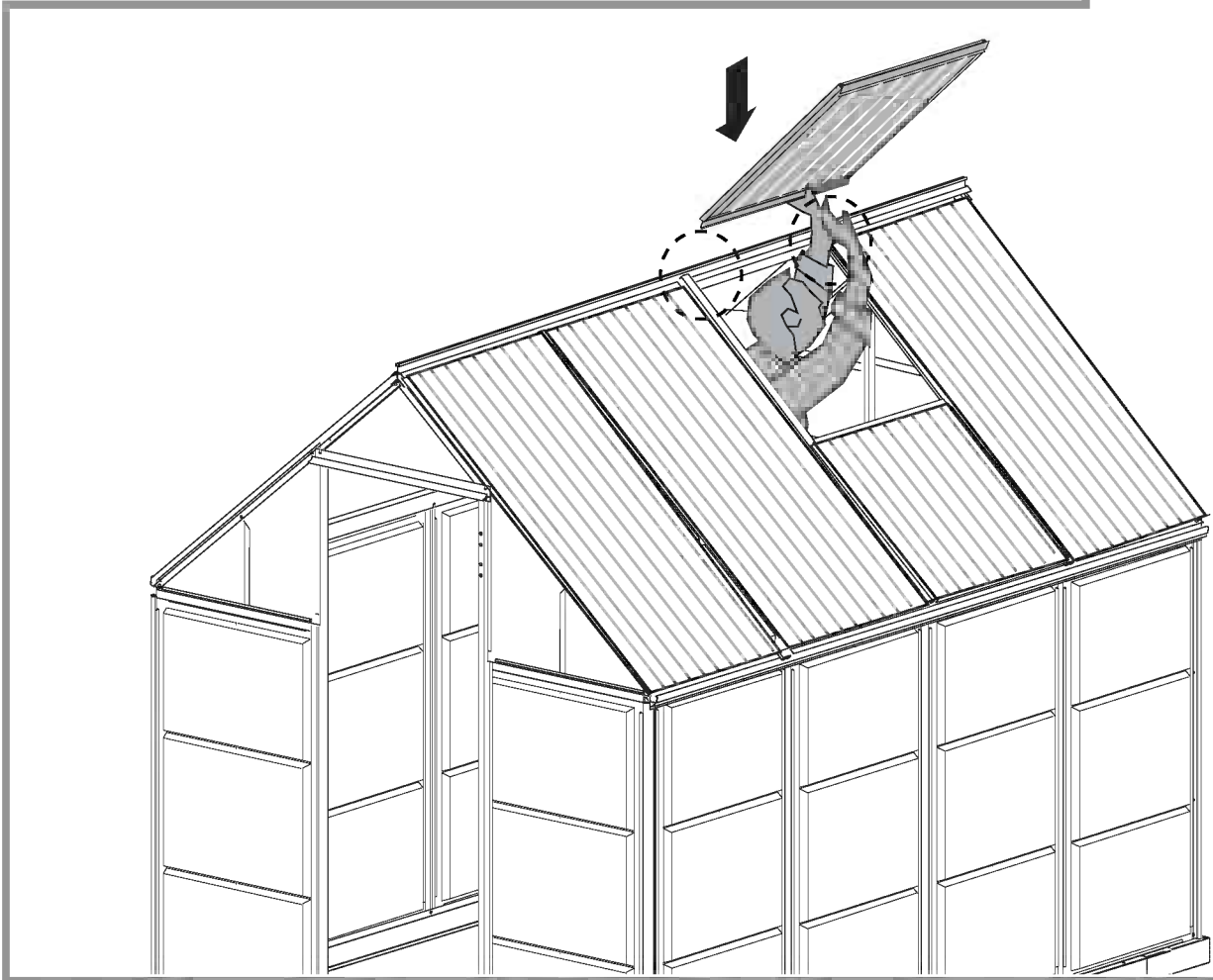
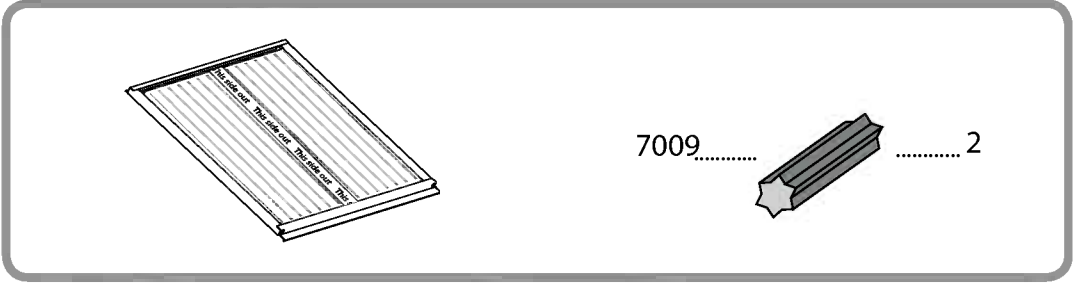
981   6

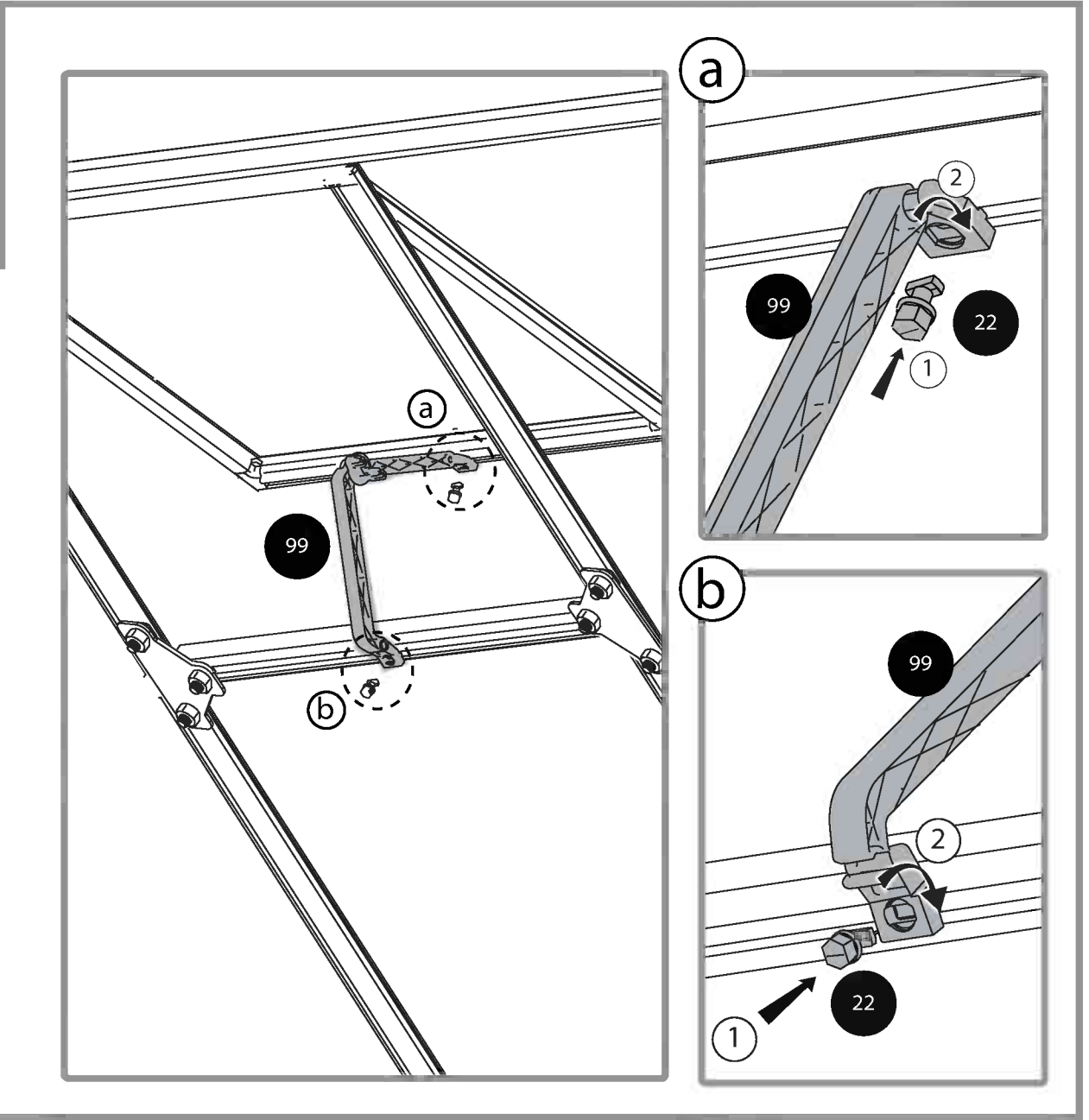
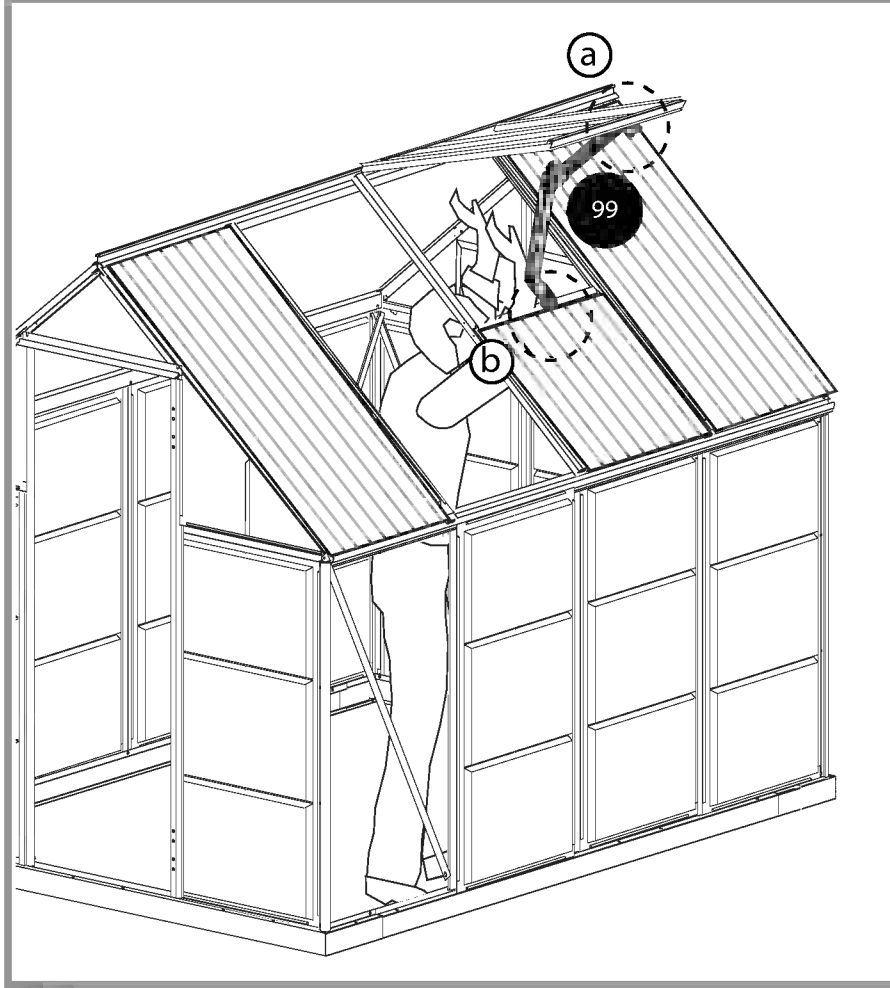
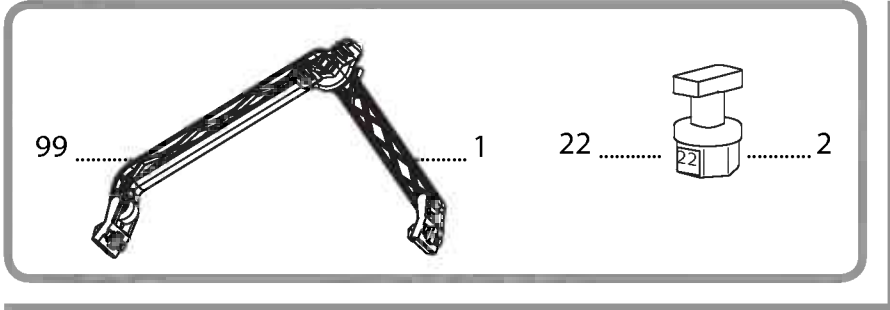
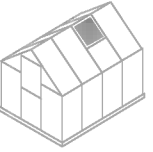


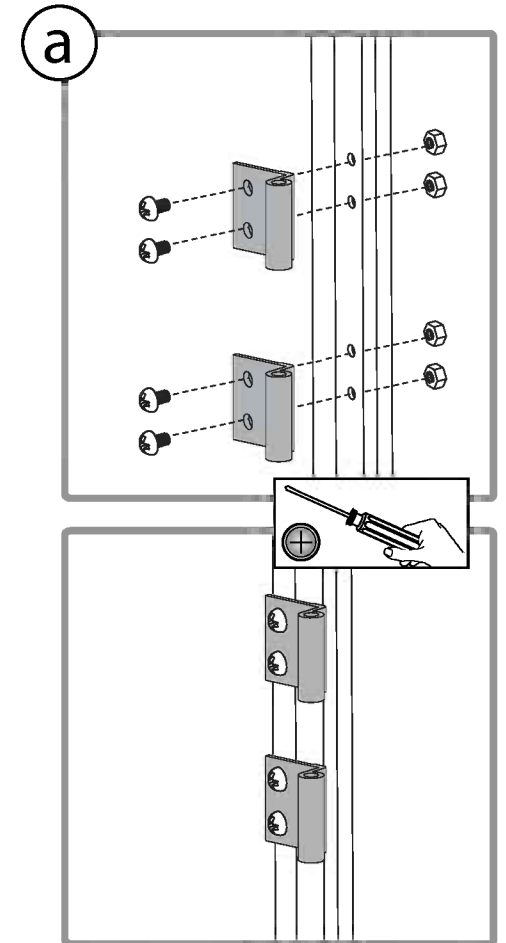
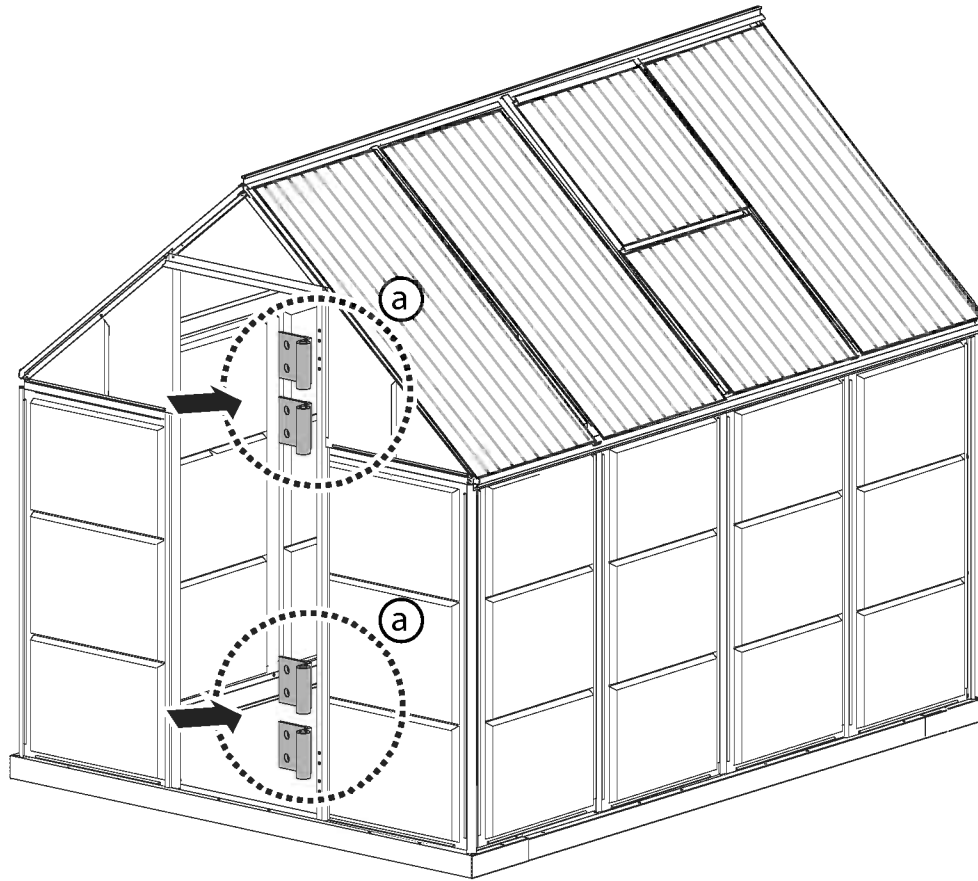
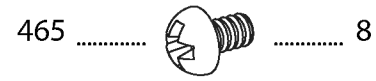
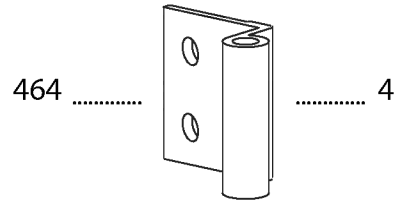
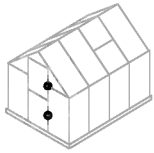


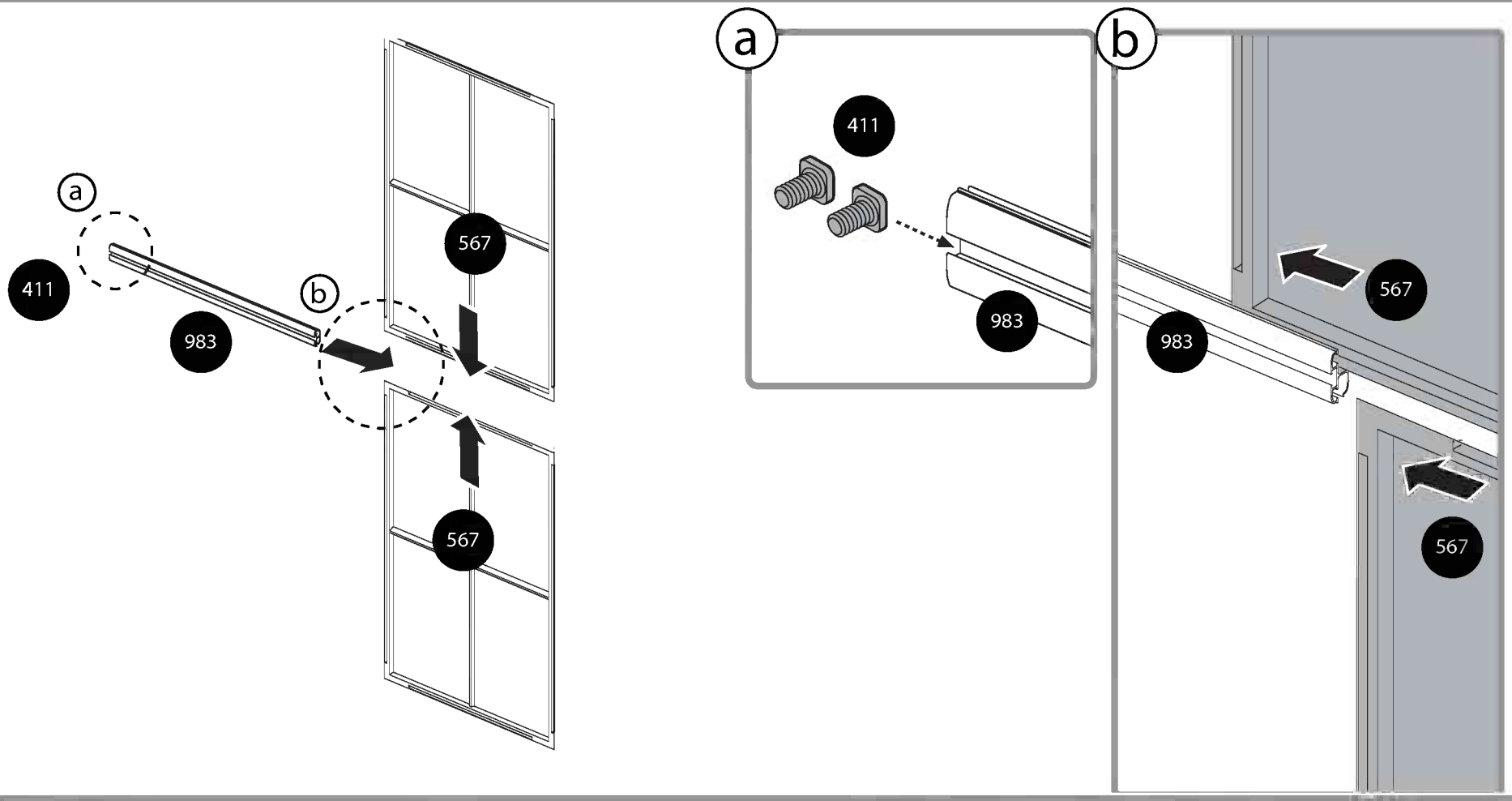
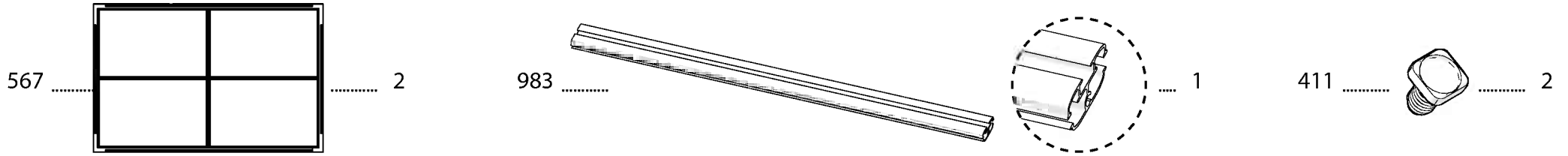


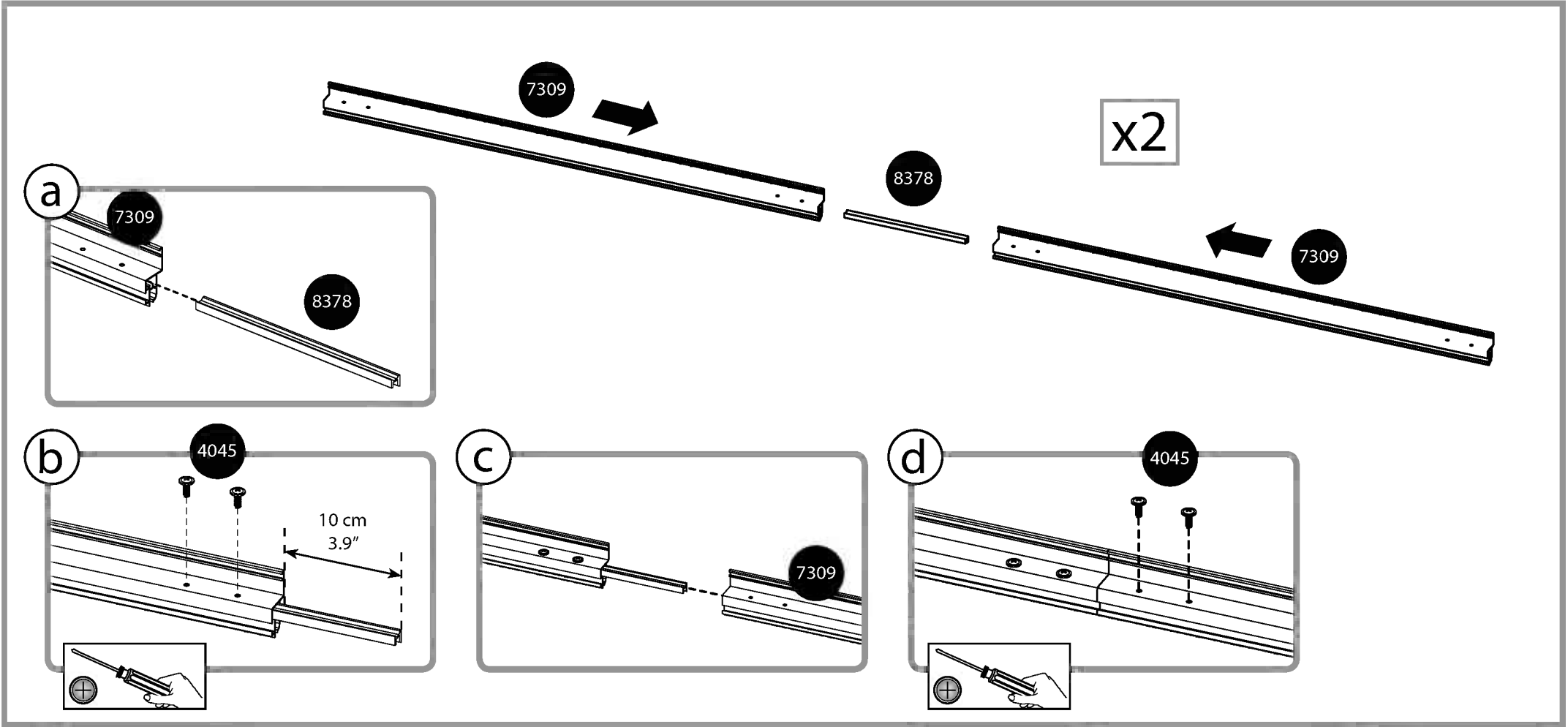
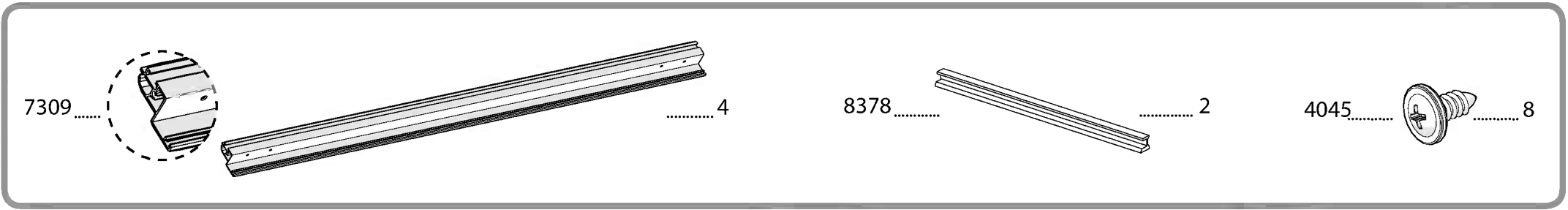


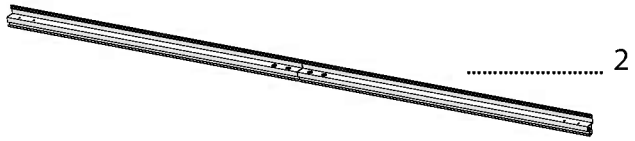




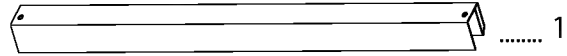




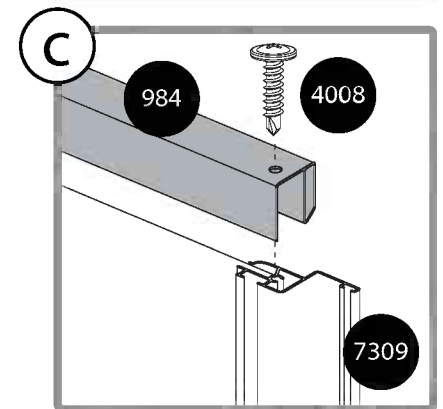
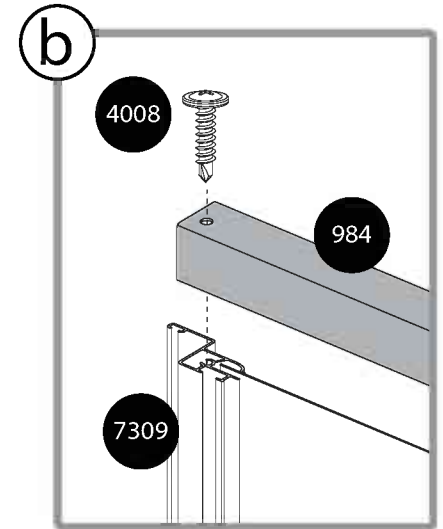
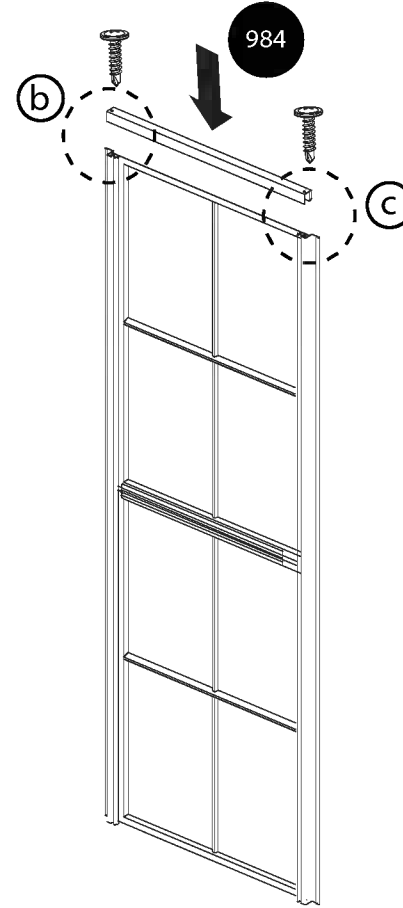
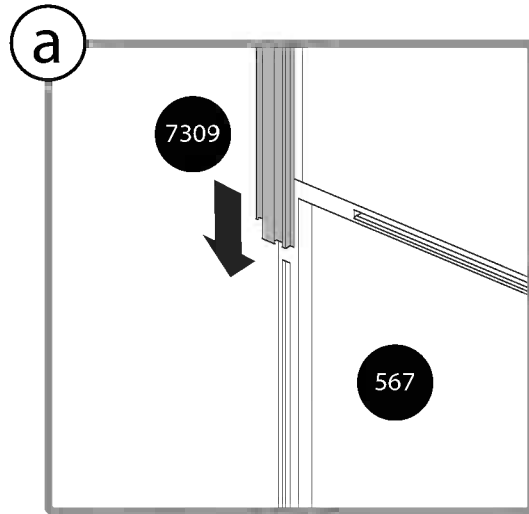
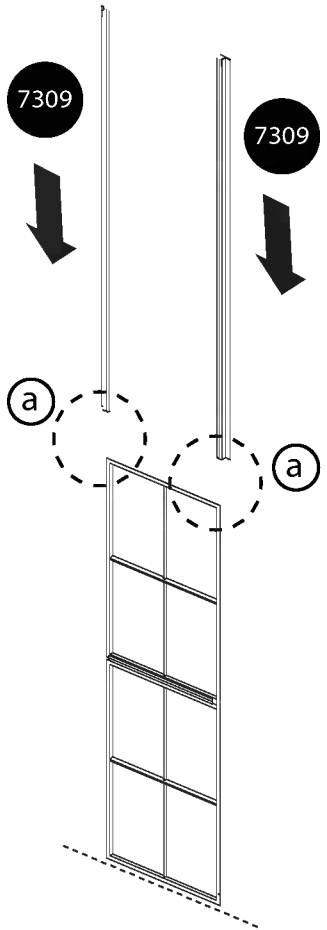
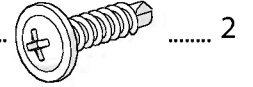




984

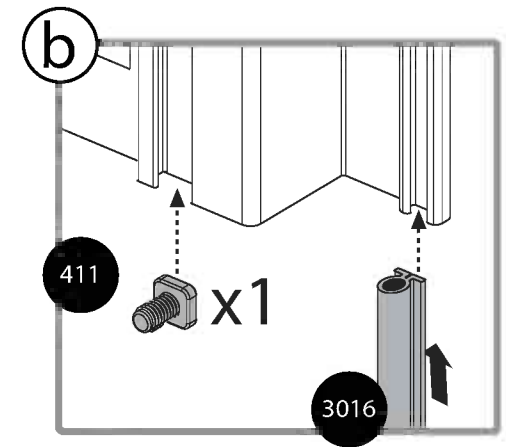
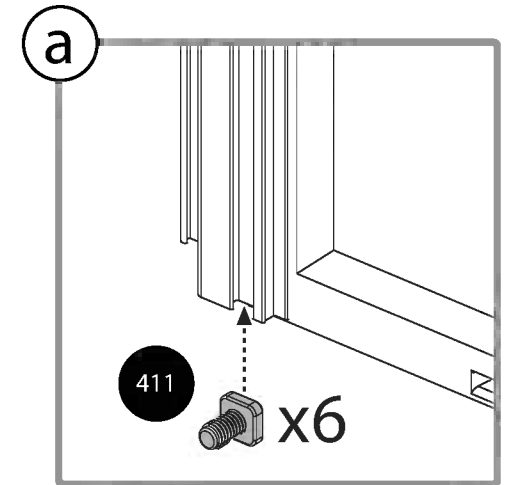
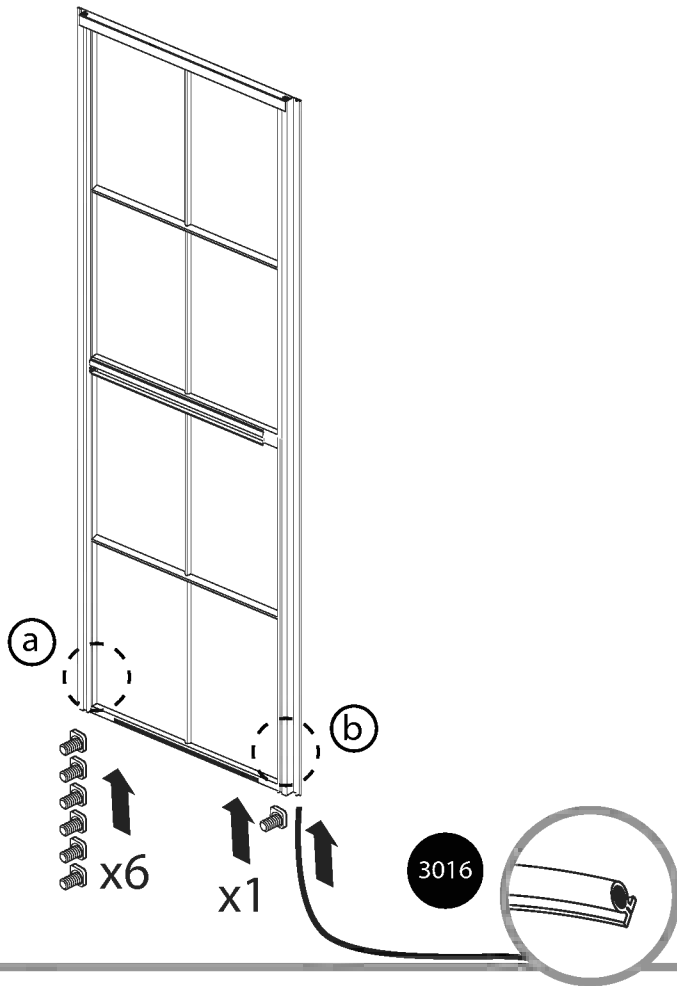


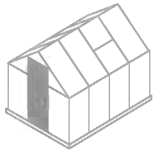
4008

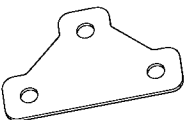
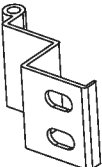



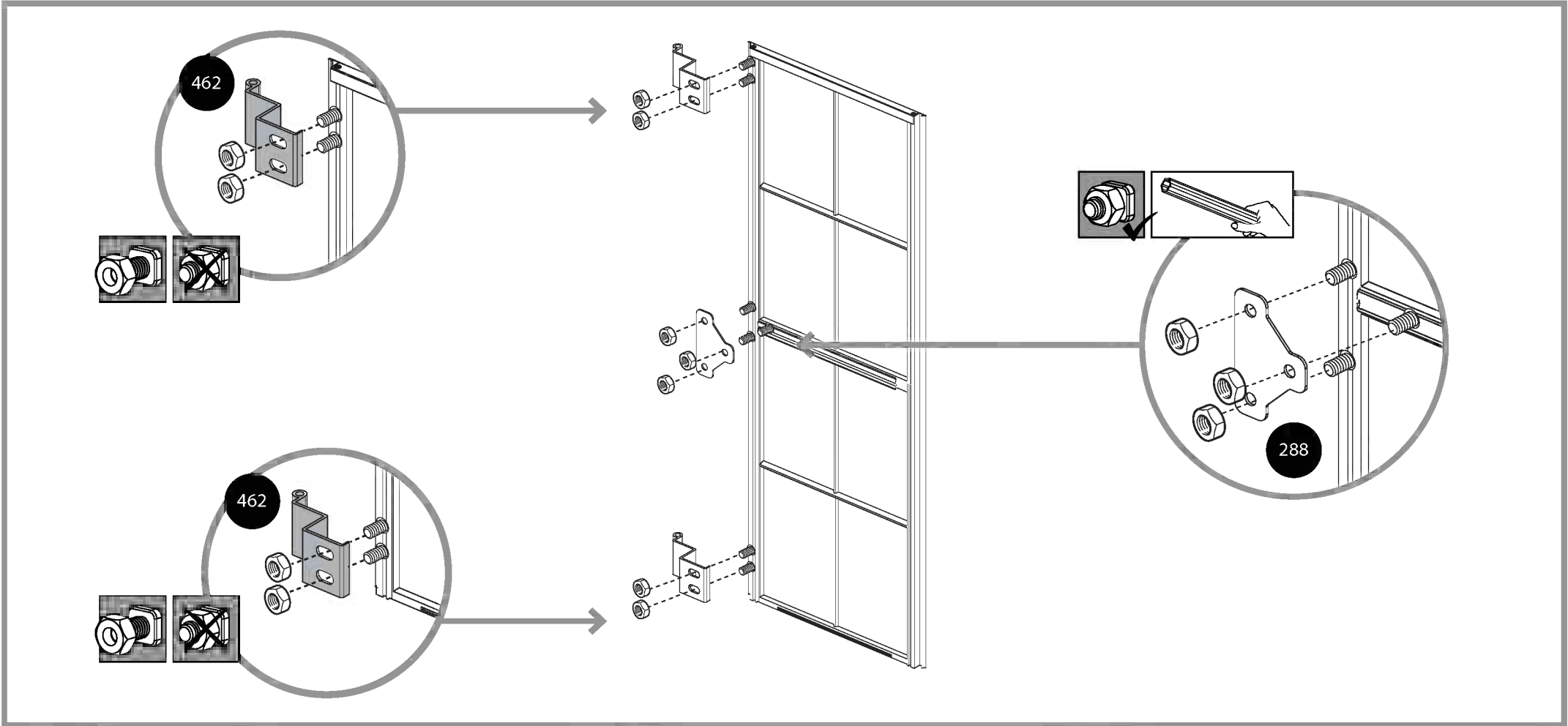


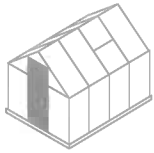
411 7 3016 1



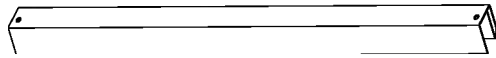


- 288  1
- 462  2
- 412  7

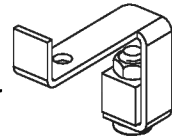




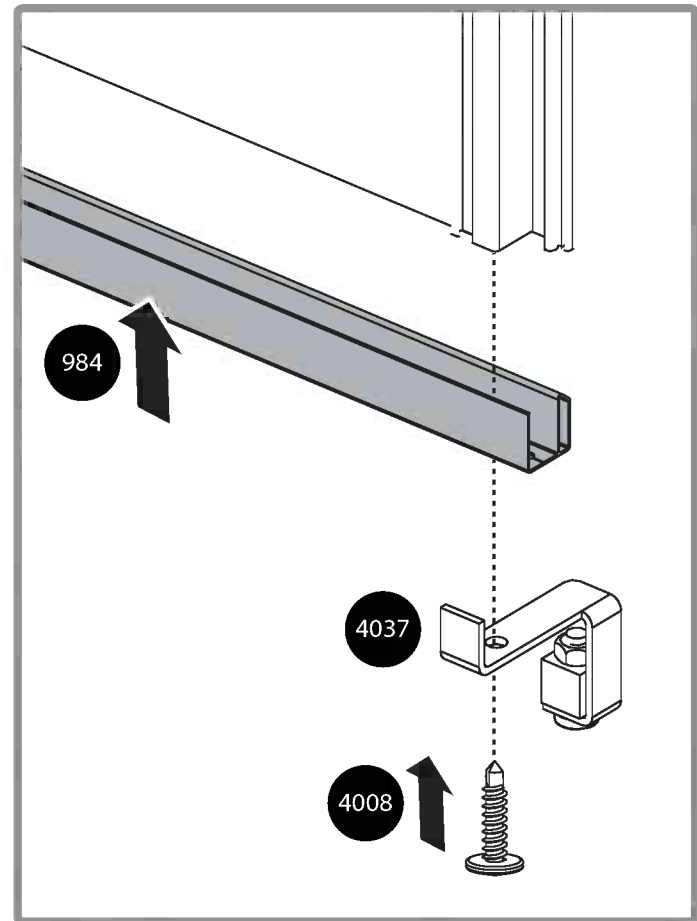
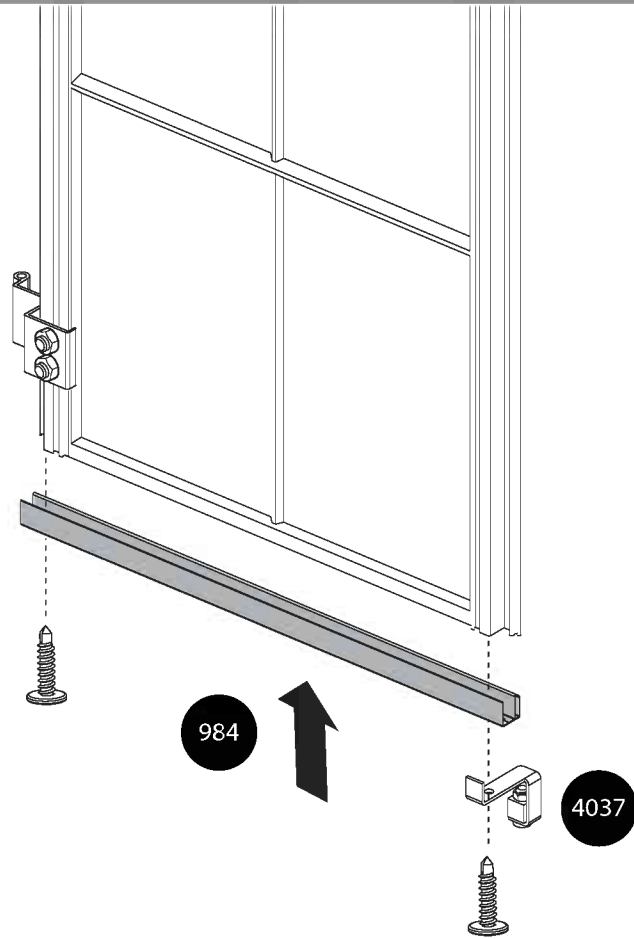
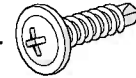
984 1

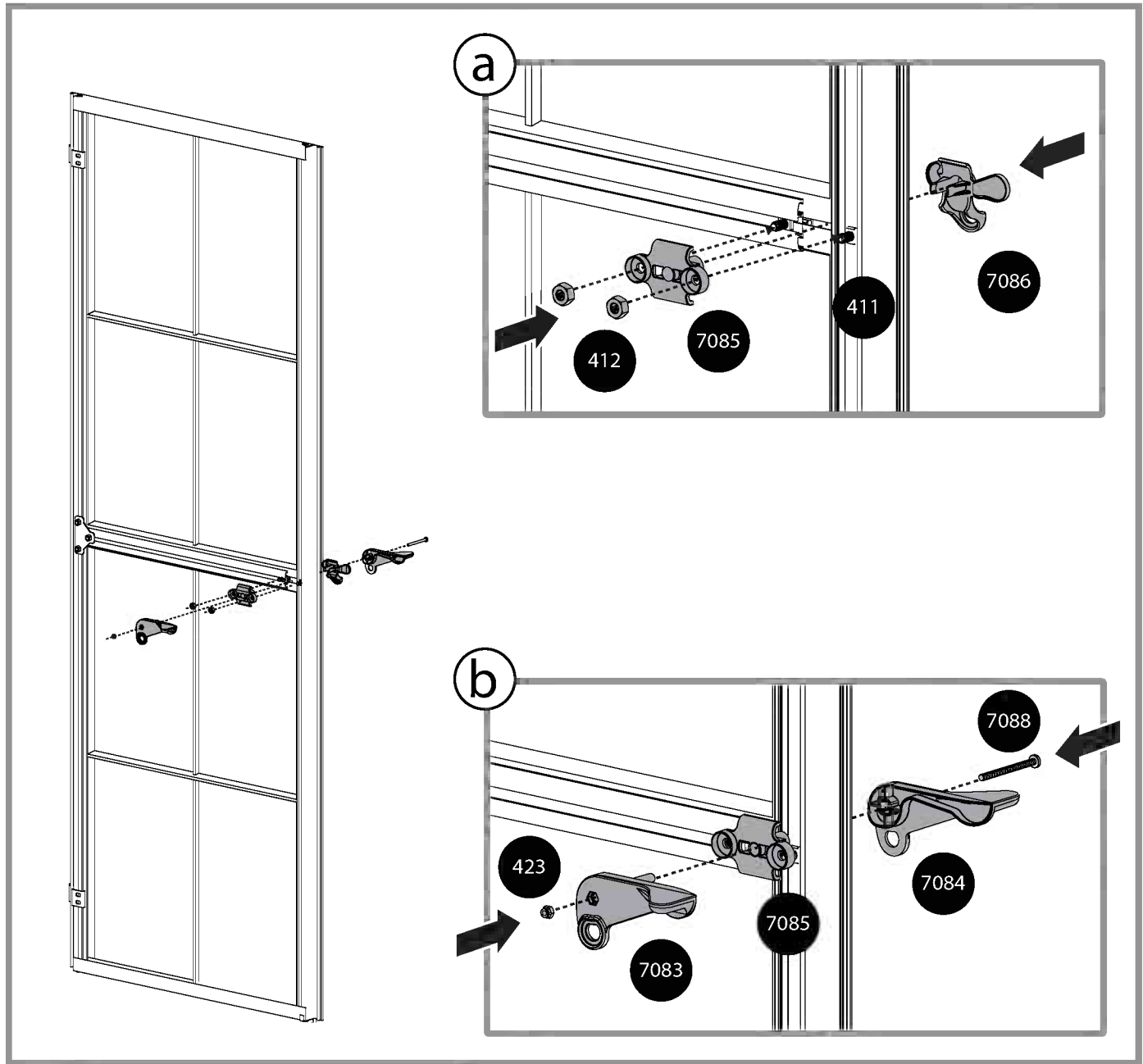
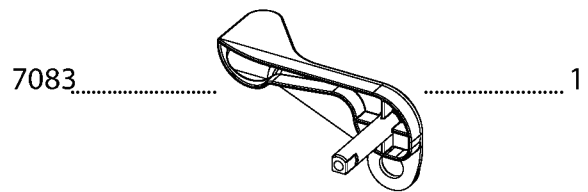
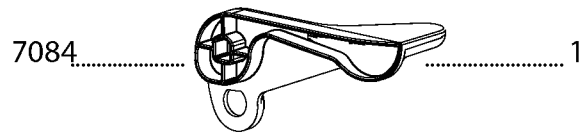
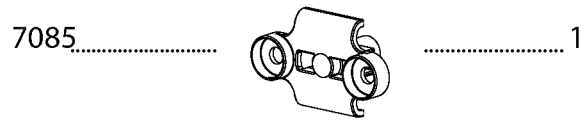
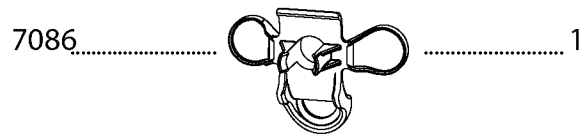


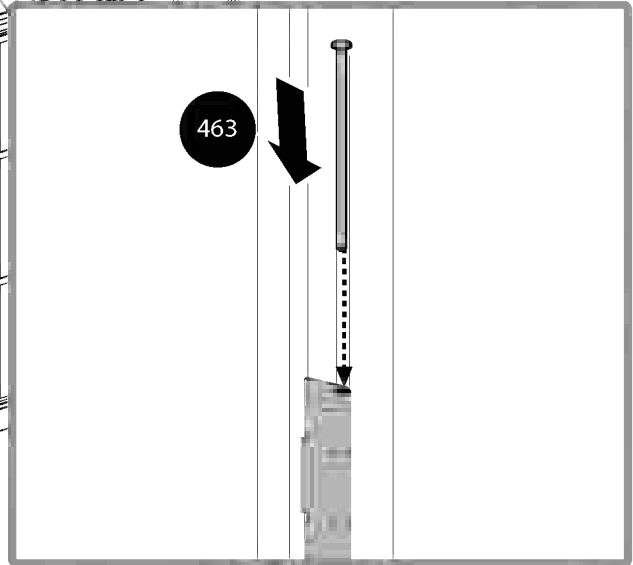
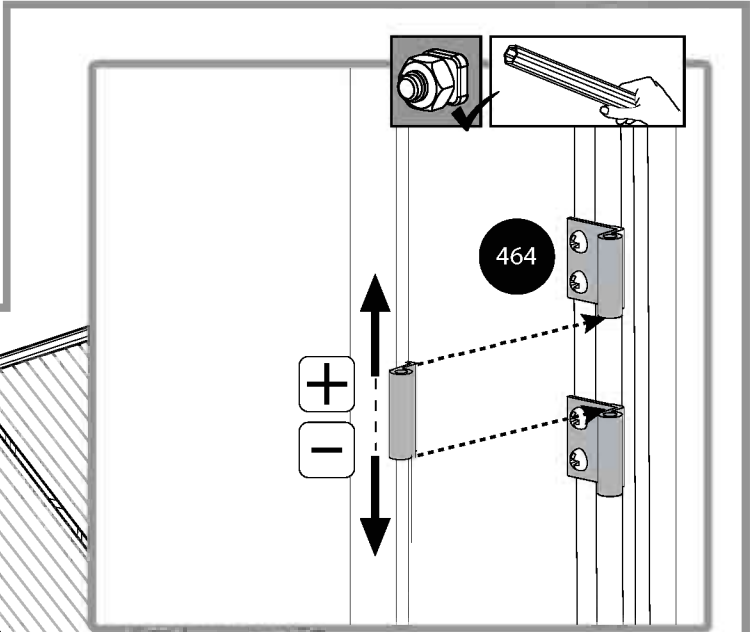
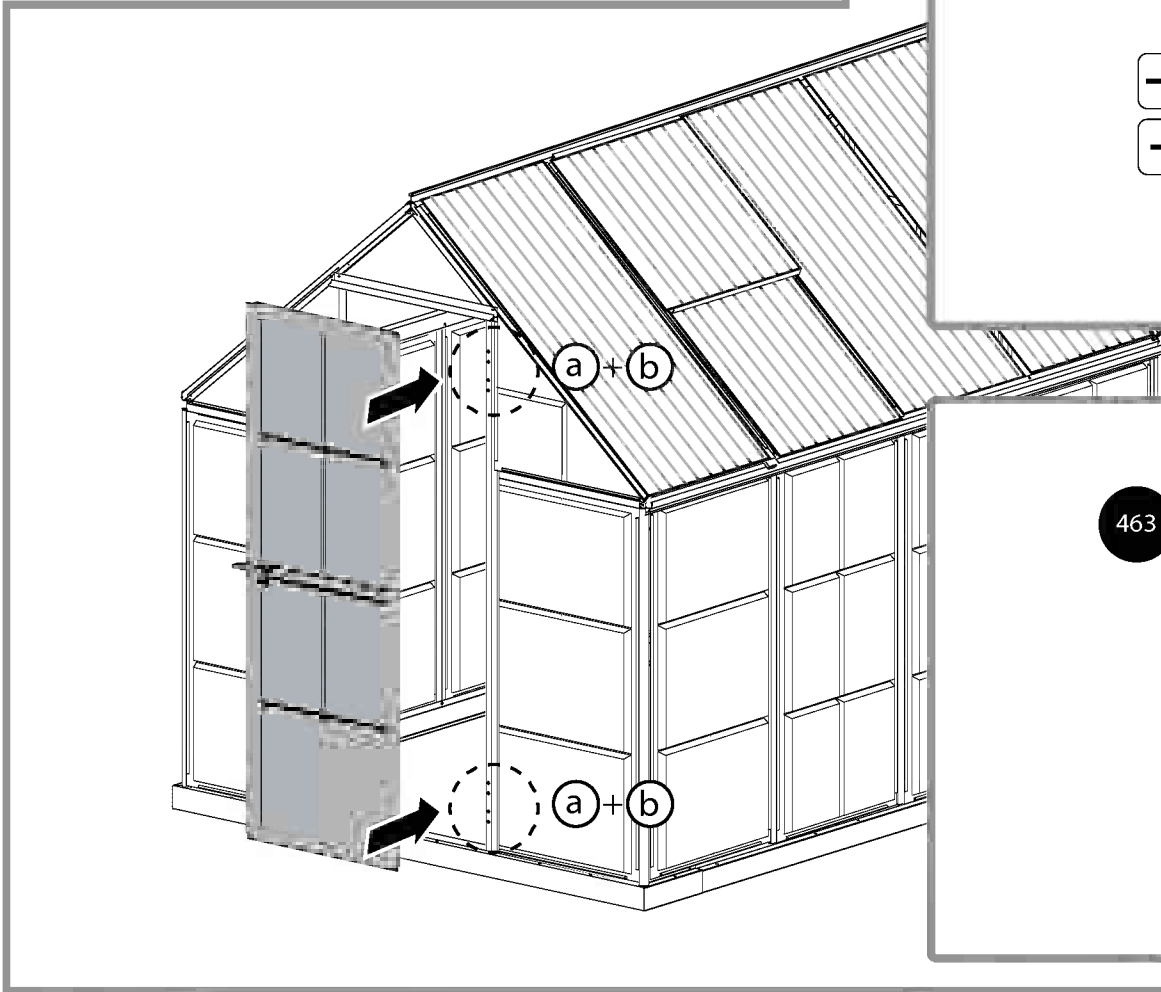
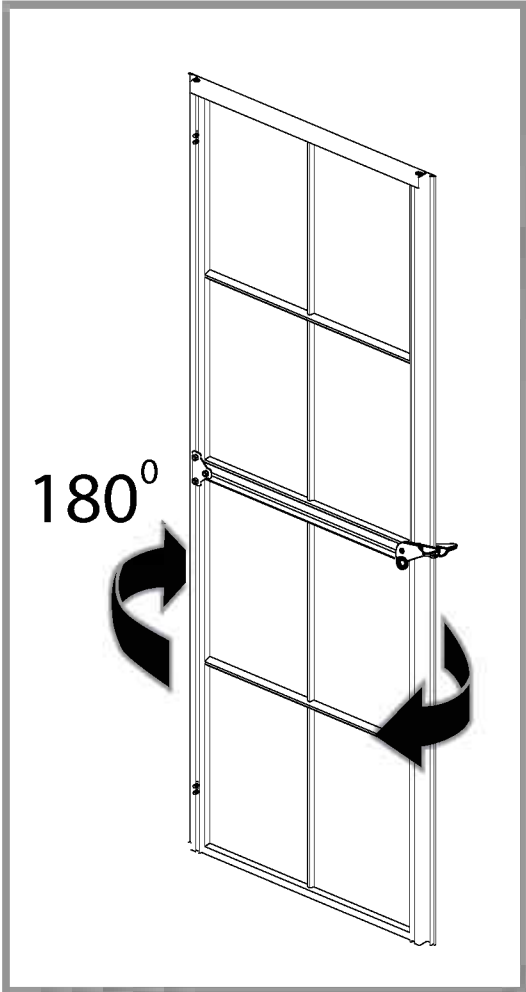
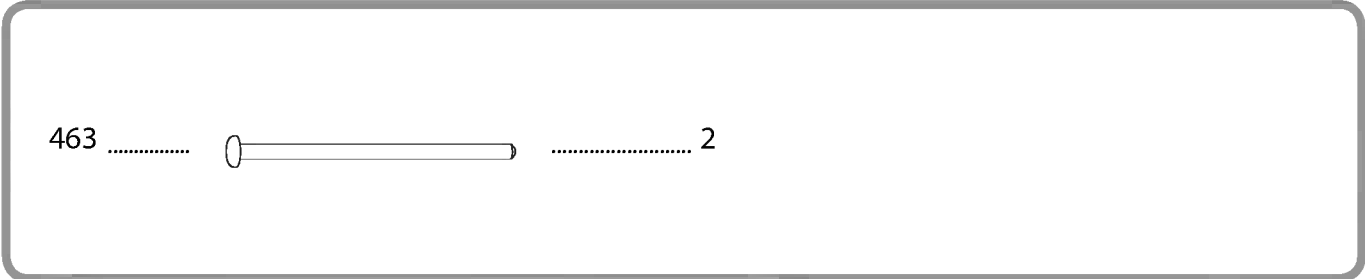
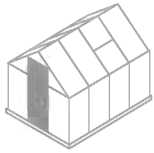
4037 1

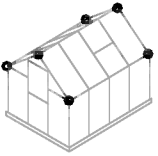


4008 2

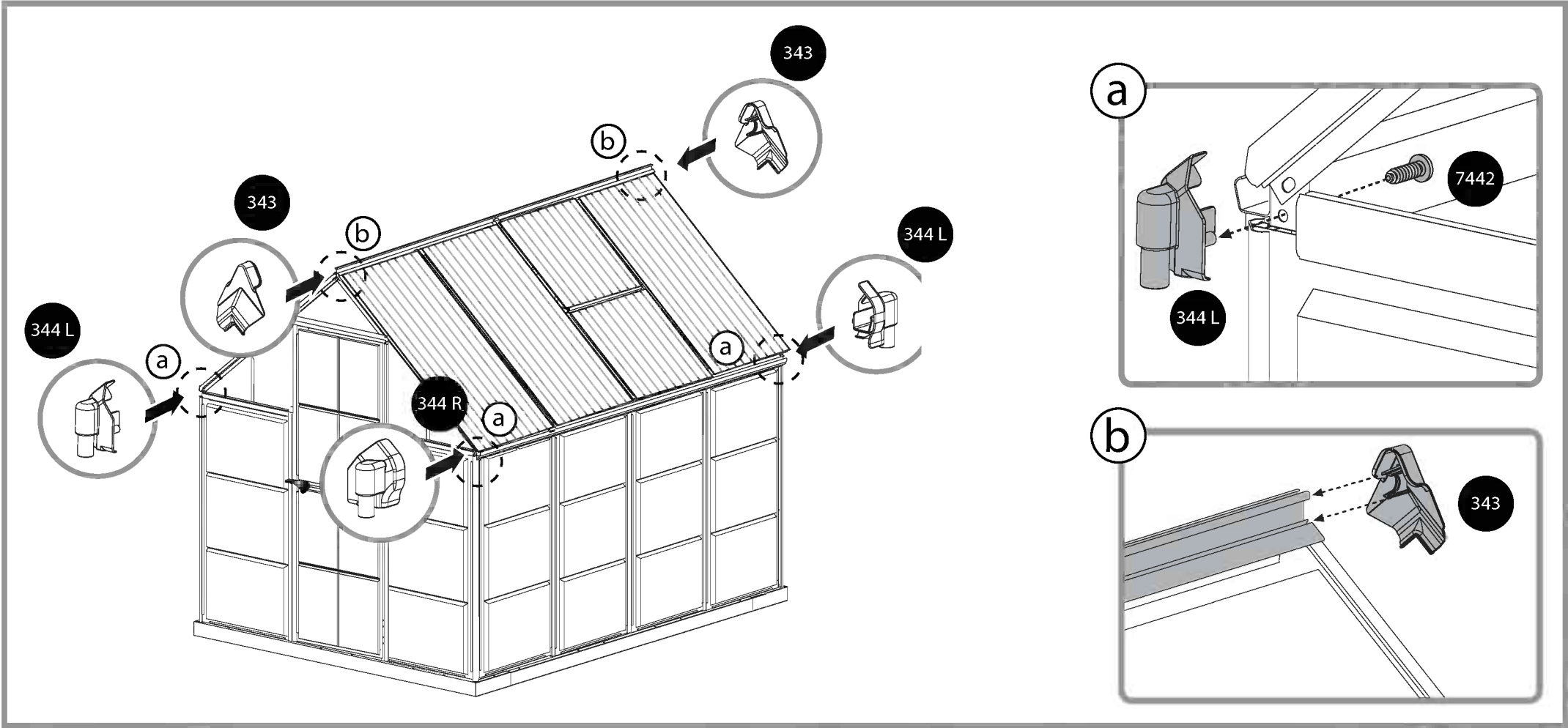








344 L 2 344 R 2 343 2 7442 4



Palram's 5 years Limited Warranty

Product Details: Greenhouses

Palram Applications (1995) Ltd (Company number: 512106824) whose registered office is at Teradion Industrial Park, M.P Misgav 20174, Israel ("Palram") warrants that the Product will be free from defects in material or workmanship for a period of Five years from the original date of purchase subject to the definitions, terms and conditions contained in this warranty.

1. Conditions

- 1.1 This warranty shall be valid only if the Product is installed, cleaned, handled and maintained in accordance with Palram's written recommendations.
- 1.2 Without derogating from the above, damage caused by use of force, incorrect handling, inappropriate use, neglectful use or assembly or maintenance, accidents, impact from foreign objects, vandalism, pollutants, alteration, painting, connecting, gluing, sealing not in accordance with the user's manual, or damage resulting from cleaning with incompatible detergents and minor deviations of the Product are not covered by this warranty.
- 1.3 This warranty does not apply to damage resulting from "force majeure", which includes but is not limited to, hail, storm, tornado, hurricane, blizzard, flood, fire effects.
- 1.4 This warranty is void if structural parts and components used are not compatible with Palram's written recommendations.
- 1.5 This Warranty applies only to the original purchaser of the Product. It does not extend to any other purchaser or user of the Product (including, but not limited to, any person who acquires the Product from the original purchaser).

2. Claims and Notifications

- 2.1 Every warranty claim must be notified in writing to Palram within 30 days after the discovery of the defective Product, enclosing the original sales receipt and this warranty.
- 2.2 The claimant must allow Palram to inspect the Product involved and the installation site itself while the Product is still in its original position and has not been removed or moved or altered in any way and/or return the Product to Palram for testing.
- 2.3 Palram reserves the right to investigate independently the cause of any failure.

3. Compensation

- 3.1 If a claim under this Warranty is properly notified and approved by Palram, the purchaser, at Palram's option, may either (a) purchase a replacement Product or part/s; or (b) receive refund of the original Product or part/s purchase price, all in accordance with the following schedule:

Period After Purchasing	Replacement Product or Part/s	Refund
From date of purchase up to end of 1 st year	Free of charge	100%
End of 1 st Year up to end of 2 nd year	purchaser will pay 20% of the original purchase price	80%
End of 2 nd year up to end of 3 rd year	purchaser will pay 40% of the original purchase price	60%
End of 3 rd year up to end of 4 th year	purchaser will pay 60% of the original purchase price	40%
End of 4 th year up to end of 5 th year	purchaser will pay 80% of the original purchase price	20%

- 3.2 For avoidance of any doubt, calculation for determination regarding compensation for defective part/s, according to the schedule above, will be based on the contribution of the defective part to the original cost of the Product. Palram reserves the right to provide substitutions if the Product or any part of it is unavailable or obsolete.
- 3.3 This warranty does not cover any costs and expenses of removal and installation of the Product or taxes or shipping cost or any other direct or indirect loss(es) which may result from the Product failure.

4. General Conditions and Limitations

- 4.1 OTHER THAN HAS BEEN SPECIFICALLY STATED IN THIS WARRANTY, ALL OTHER WARRANTIES, WHETHER EXPRESS OR IMPLIED, INCLUDING ALL IMPLIED WARRANTIES OF MERCHANTABILITY OR FITNESS FOR A PARTICULAR PURPOSE ARE EXCLUDED SO FAR AS THE LAW PERMITS.
- 4.2 EXCEPT WHERE WE HAVE SPECIFICALLY STATED IN THIS WARRANTY, PALRAM SHALL NOT BE LIABLE FOR ANY LOSSES OR DAMAGES THE PURCHASER SUFFERS DIRECTLY, INDIRECTLY, OR AS A CONSEQUENCE OF USING, OR IN ANY OTHER WAY CONNECTED TO THE PRODUCT.
- 4.3 IF PALRAM IS PROHIBITED UNDER ANY APPLICABLE LAW FROM EXCLUDING THE IMPLIED WARRANTIES OF MERCHANTABILITY OR FITNESS FOR A PARTICULAR PURPOSE IN RELATION TO THE PRODUCT, THE DURATION OF ALL SUCH IMPLIED WARRANTIES IS EXPRESSLY LIMITED TO THE DURATION OF THIS WARRANTY OR, IF LONGER, THE MAXIMUM PERIOD REQUIRED BY APPLICABLE LAW.
- 4.4 THE PURCHASER IS SOLELY RESPONSIBLE FOR DETERMINING WHETHER THE HANDLING, STORAGE, ASSEMBLY, INSTALLATION OR USE OF THE PRODUCT IS SAFE AND APPROPRIATE IN ANY LOCATION, FOR ANY GIVEN APPLICATION OR IN ANY GIVEN CIRCUMSTANCE. PALRAM ARE NOT RESPONSIBLE FOR ANY DAMAGES OR INJURY TO THE PURCHASER, ANY OTHER PERSON OR ANY PROPERTY RESULTING FROM THE IMPROPER HANDLING, STORAGE, INSTALLATION, ASSEMBLY OR USE OF THE PRODUCT OR THE FAILURE TO FOLLOW THE WRITTEN INSTRUCTIONS REGARDING THE HANDLING, STORAGE, INSTALLATION, ASSEMBLY AND USE OF THE PRODUCT.
- 4.5 UNLESS OTHERWISE EXPRESSLY INDICATED BY PALRAM, THE PRODUCT IS INTENDED FOR NORMAL RESIDENTIAL USE ONLY. PALRAM ARE NOT RESPONSIBLE FOR ANY LOSS, DAMAGE, COST OR EXPENSE RESULTING FROM ANY USE OF THE PRODUCT FOR ANY PURPOSE THAT IS NOT RECOMMENDED BY THE WRITTEN INSTRUCTIONS OR THAT IS NOT PERMITTED BY ANY APPLICABLE LEGISLATION OR OTHER CODES IN EFFECT IN THE LOCATION WHERE THE PURCHASER WILL USE THE PRODUCT.

EN

5 Jahre beschränkte Garantie von Palram

Angaben zum Produkt: Gewächshäuser

Palram Applications (1995) Ltd (Firmennummer:512106824) mit Sitz in Teradion Industrial Park, M.P Misgav 20174, Israel („Palram“) garantiert, dass das Produkt für einen Zeitraum von fünf Jahren ab dem Kaufdatum frei von Mängeln in Material und Verarbeitung wird, und den Definitionen, Begriffen und Bedingungen die in dieser Garantie enthalten sind unterliegt.

1. Bedingungen

- 1.1 Diese Garantie ist nur gültig, wenn das Produkt in Übereinstimmung mit den schriftlichen Empfehlungen von Palram installiert, gereinigt, behandelt und gepflegt ist.
- 1.2 Ohne Abweichung von oben genannten, Schäden, die durch Anwendung von Gewalt, unsachgemäße Behandlung, unsachgemäße Verwendung, nachlässige Nutzung, Montage oder Wartung, Unfälle, Auswirkungen von Fremdkörpern, Vandalismus, Verschmutzung, Veränderung, Malerei, Verbinden, Kleben und Dichten, nicht in Übereinstimmung mit der Bedienungsanleitung, verursacht werden, oder Schäden, die bei Reinigung mit inkompatiblen Reinigungsmitteln entstehen, so wie geringfügige Abweichungen des Produkts, werden durch diese Garantie nicht abgedeckt.
- 1.3 Diese Garantie gilt nicht für Schäden, die durch „höhere Gewalt“ verursacht werden (beinhaltend aber nicht beschränkt auf: Hagel, Sturm, Tornado, Hurrikan, Schneesturm, Überschwemmungen, Feuer Auswirkungen).
- 1.4 Diese Garantie erlischt, falls Bauteile und Komponente, die nicht mit den schriftlichen Empfehlungen von Palram kompatibel sind, verwendet werden.
- 1.5 Diese Garantie gilt ausschließlich für den ursprünglichen Käufer des Produkts. Sie erweitert sich nicht auf keine anderen Käufer oder Benutzer des Produkts (einschließlich, aber nicht beschränkt auf irgendeine andere Person die das Produkt von den ursprünglichen Käufer erwirbt).

2. Ansprüche und Mitteilungen

- 2.1 Jeder Gewährleistungsanspruch muss Palram innerhalb von 30 Tagen nach Entdeckung des fehlerhaften Produkts schriftlich vorgelegt werden. Hierzu reichen Sie bitte auch den Original-Kaufbeleg und diese Garantie mit ein.
- 2.2 Der Antragsteller muss Palram erlauben den betroffenen Produkt und den Aufstellungsort selbst zu überprüfen, während das Produkt noch in seiner ursprünglichen Position ist und nicht entfernt oder verschoben oder in irgendeiner Weise verändert wurde, und/oder den Produkt an Palram zum Testen zu senden.
- 2.3 Palram behält sich das Recht vor die Fehlerursachen unabhängig zu untersuchen.

3. Entschädigung

- 3.1 Ist ein Anspruch gemäß dieser Garantie ordnungsgemäß angemeldet und bei Palram genehmigt worden, kann der Käufer, nach eigenem Ermessen von Palram, entweder (a) ein Ersatzprodukt oder Teil/e erwerben; oder (b) eine Erstattung des ursprünglichen Produkt oder Teil/e Kaufpreises erhalten, alles in Übereinstimmung mit dem folgendem Schema:

Zeitraum nach Erwerbung	Ersatzprodukt bzw. Ersatzteil/e	Rückerstattung
Ab Kaufdatum bis zum Ende des 1. Jahr	Kostenlos	100%
Ende des 1. Jahr bis zum Ende des 2. Jahr	Käufer zahlt 20% des ursprünglichen Kaufpreises	80%
Ende des 2. Jahr bis zum Ende des 3. Jahr	Käufer zahlt 40% des ursprünglichen Kaufpreises	60%
Ende des 3. Jahr bis zum Ende des 4. Jahr	Käufer zahlt 60% des ursprünglichen Kaufpreises	40%
Ende des 4. Jahr bis zum Ende des 5. Jahr	Käufer zahlt 80% des ursprünglichen Kaufpreises	20%

- 3.2 Um jegliche Zweifel auszuschließen, wird sich die Berechnung für die Bestimmung über Entschädigungen für defekte Teil/e, entsprechend der obigen Schema, auf dem Beitrag des defekten Teils an den ursprünglichen Kosten des Produktes beruhen. Palram behält sich das Recht vor für ein Ersatz zu sorgen, falls der Produkt oder ein Teil davon nicht verfügbar oder veraltet ist.
- 3.3 Diese Garantie erstreckt sich nicht auf Kosten und Ausgaben für Aus- und Einbau des Produkts oder Steuern oder Versandkosten oder sonstige direkte oder indirekte Verlust/e die sich von einem Produktfehler ergeben können.

4. Allgemeine Bedingungen und Einschränkungen

- 4.1 ANDERS ALS BESONDERS IN DIESER GARANTIE ANGEGBEN, ALLE ANDEREN GARANTIE, OB AUSDRÜCKLICH ODER IMPLIZIT, EINSCHLIESSLICH ALLER EINGESCHLOSSENEN GARANTIELEISTUNGEN DER MARKTGÄNGIGKEIT ODER EIGNUNG FÜR EINEN BESTIMMTEN ZWECK SIND SO WEIT DIES RECHTLICH MÖGLICH IST AUSGESCHLOSSEN.
- 4.2 AUSSER ALS AUSDRÜCKLICH IN DIESER GARANTIE ANGEGBEN, HAFTET PALRAM NICHT FÜR IRGENDWELCHE VERLUSTE ODER SCHÄDEN DIE DER KÄUFER, DIREKT ODER INDIREKT ODER ALS FOLGE DER NUTZUNG ODER IN IRGENDWELCHEN ANDEREN MIT DEM PRODUKT VERBUNDENEN WEISE LEIDET.
- 4.3 FALLS PALRAM EIN AUSSCHLUSS DER STILLSCHWEIGENDEN GARANTIE DER MARKTGÄNGIGKEIT ODER EIGNUNG FÜR EINEN BESTIMMTEN ZWECK IN BEZUG AUF DAS PRODUKT NACH GELTENDEM RECHT NICHT GESTATTET IST, WIRD DIE DAUER ALLER SOLCHEN GARANTIE AUSDRÜCKLICH AUF DIE DAUER DIESER GARANTIE BESCHRÄNKT, ODER FALLS LÄNGER, AUF DIE GESETZLICH VORGESCHRIEBENE HÖCHSTDAUER.
- 4.4 DER KÄUFER IST ALLEIN DAFÜR VERANTWORTLICH FESTZUSTELLEN, OB DIE HANDHABUNG, LAGERUNG, MONTAGE, INSTALLATION ODER VERWENDUNG DES PRODUKTS AN BELIEBIGEN STANDORT UND FÜR JEDE GEGEBENE ANWENDUNG ODER SITUATION, SICHER UND ANGEMESSEN IST. PALRAM IST NICHT VERANTWORTLICH FÜR SCHÄDEN ODER VERLETZUNGEN DES KÄUFERS, ANDERER PERSONEN ODER DES EIGENTUMS, DIE IN FOLGE EINER UNSACHGEMÄSSEN HANDHABUNG, LAGERUNG, EINBAU, MONTAGE ODER NUTZUNG DES PRODUKTS ODER DURCH NICHTBEACHTUNG DER ANWEISUNGEN ZUR HANDHABUNG, LAGERUNG, EINBAU, MONTAGE UND NUTZUNG DES PRODUKTES ENTSTANDEN SIND.
- 4.5 SOWEIT NICHT AUSDRÜCKLICH ANDERS BY PALRAM ANGEGBEN, IST DAS PRODUKT FÜR NORMALE WOHNNUTZUNG BESTIMMT. PALRAM HAFTET NICHT FÜR VERLUSTE, SCHÄDEN, KOSTEN ODER AUSGABEN, DIE AUS EINER NICHT VON DEN ANWEISUNGEN EMPFOHLENE VERWENDUNG DES PRODUKTS ZU IRGENDWELCHEM ZWECK ENTSTEHEN ODER DIE VON KEINEM GELTENDEN RECHTSVORSCHRIFTEN ODER ANDEREN CODES ERLAUBT SIND DIE AN DEM ORT WO DER KÄUFER DEN PRODUKT BENUTZEN WIRD IN KRAFT SIND.

DE

Garantie limitée à 5 ans de Palram

Détails du produit: Serres

Palram Applications (1995) Ltd (Compagnie n° 512106824) dont le siège social est adressé au Parc Industriel Teradion, M.P. Misgav 20174, Israël ("Palram") garantit que le Produit n'a aucun défaut de matériel ou de manufacture pour une période de cinq ans à dater de la date d'acquisition, conformément aux définitions et conditions incluses dans cette garantie.

1. Conditions

- 1.1 Cette garantie ne sera valide que si le Produit est installé, nettoyé, manipulé et entretenu conformément aux recommandations écrites de Palram.
- 1.2 Sans déroger de ce qui est susdit, tout dommage causé par usage de la force, une mauvaise manipulation, un usage inapproprié, une utilisation, un montage ou une maintenance négligente, des accidents, un impact avec d'autres objets étrangers, du vandalisme, des polluants, un dégât, une peinture, connexion, collage, scellage qui n'est pas conforme avec le manuel de l'utilisateur ou tout dommage résultant de son nettoyage avec un détergent incompatible et les moindres déviations du Produit ne sont pas couverts par cette garantie.
- 1.3 Cette garantie ne s'applique pas aux dommages résultant d'un acte de force majeure, qui comprend mais n'est pas limité par la grêle, la tempête, une tornade, un ouragan, un blizzard, une inondation ou les effets d'un incendie.
- 1.4 Cette garantie est nulle si des parties de la structure et des composants ne sont pas compatibles aux recommandations écrites par Palram.
- 1.5 Cette garantie ne s'applique qu'à l'acheteur d'origine du Produit. Elle ne s'étend pas à tout autre acquéreur ou utilisateur du Produit (y compris mais non limité à toute personne qui acquerrait le Produit de son acquéreur d'origine).

2. Réclamations et notifications

- 2.1 Toute demande de garantie doit être notifiée par écrit à Palram dans les 30 jours suite à la découverte du produit défectueux, accompagnée du ticket de caisse original et de cette garantie.
- 2.2 Le demandeur doit permettre à Palram d'inspecter le Produit impliqué et le site d'installation lorsque le Produit est dans son emplacement d'origine et n'a pas été enlevé ou déplacé ni modifié de quelque façon et/ou envoyer le Produit à Palram pour vérification.
- 2.3 Palram se réserve le droit d'enquêter indépendamment sur la cause de toute panne.

3. Compensation

- 3.1 Si une réclamation sous cette Garantie est convenablement notifiée et approuvée par Palram, l'acheteur, au choix de Palram, peut soit (a) acquérir un Produit de remplacement ou des pièces; ou (b) recevoir un remboursement du prix d'achat du Produit d'origine ou d'une partie, tout cela conformément à la table suivante:

Période depuis l'achat	Produit de remplacement ou partie	Remboursement
Jusqu'à un an après l'achat	Gratuit	100%
De la fin de la 1 ^{ère} année à la fin de la 2 ^{ème}	L'acquéreur paiera 20% du prix d'achat d'origine	80%
De la fin de la 2 ^{ème} année à la fin de la 3 ^{ème}	L'acquéreur paiera 40% du prix d'achat d'origine	60%
De la fin de la 3 ^{ème} année à la fin de la 4 ^{ème}	L'acquéreur paiera 60% du prix d'achat d'origine	40%
De la fin de la 4 ^{ème} année à la fin de la 5 ^{ème}	L'acquéreur paiera 80% du prix d'achat d'origine	20%

- 3.2 Pour éviter le moindre doute, le calcul pour déterminer la compensation pour des pièces défectueuses, selon la table ci-dessus, sera basé sur la contribution de la pièce défectueuse au coût d'origine du Produit. Palram se réserve le droit de fournir des substitutions si le Produit ou une partie de celui-ci n'est plus disponible ou est obsolète.
- 3.3 Cette garantie ne couvre pas les coûts et les dépenses de déplacement et d'installation du Produit ou les taxes et frais de port ou toute autre perte directe ou indirecte qui pourrait résulter de la panne du Produit.

4. Conditions générales et limitations

- 4.1 MIS A PART CE QUI A ETE SPECIFIQUEMENT INDIQUE DANS CETTE GARANTIE, TOUTES LES AUTRES GARANTIES, EXPRESSES OU SOUS-ENTENDUES, Y COMPRIS TOUTES LES GARANTIES SOUS-ENTENDUES DE VALEUR MARCHANDE OU D'ADAPTABILITE POUR UN OBJECTIF PARTICULIER SONT EXCLUES POUR AUTANT QUE LA LOI LE PERMET.
- 4.2 MIS A PART LA OU NOUS L'AVONS SPECIFIQUEMENT DECLARE DANS CETTE GARANTIE, PALRAM N'EST PAS RESPONSABLE DE TOUTE PERTE OU DOMMAGE DONT L'ACQUEREUR SOUFFRIRAIT, DIRECTEMENT, INDIRECTEMENT OU EN CONSEQUENCE DE L'UTILISATION DU PRODUIT OU DE TOUTE AUTRE MANIERE LIEE AU PRODUIT.
- 4.3 SI PALRAM N'A PAS LE DROIT SELON LA MOINDRE LOI APPLICABLE D'EXCLURE LES GARANTIES SOUS-ENTENDUES DE VALEUR MARCHANDE OU D'ADAPTABILITE A UNE FIN SPECIFIQUE EN RAPPORT AVEC LE PRODUIT, LA DUREE D'UNE TELLE GARANTIE EST EXPRESSEMENT LIMITEE A CELLE DE CETTE GARANTIE OU, SI ELLE EST PLUS LONGUE, A LA PERIODE MAXIMALE EXIGEE PAR LA LOI.
- 4.4 L'ACHETEUR EST LE SEUL RESPONSABLE DANS LA DETERMINATION SI LA MANIPULATION, LE STOCKAGE, LE MONTAGE, L'INSTALLATION OU L'UTILISATION DU PRODUIT EST SURE ET APPROPRIEE POUR TOUT ENDROIT, POUR TOUTE APPLICATION DONNEE OU DANS TOUTE CIRCONSTANCE DONNEE. PALRAM N'EST PAS RESPONSABLE DE TOUT DOMMAGE OU BLESSURE CAUSE A L'ACHETEUR, TOUTE AUTRE PERSONNE OU BIEN RESULTANT D'UNE MANIPULATION, UN STOCKAGE, UNE INSTALLATION, UN MONTAGE OU UNE UTILISATION DU PRODUIT OU UN MANQUE A SUIVRE LES INSTRUCTIONS ECRITES CONCERNANT LA MANIPULATION, LE STOCKAGE, LE MONTAGE, L'INSTALLATION OU L'UTILISATION DU PRODUIT.
- 4.5 SAUF SI INDIQUE EXPRESSEMENT PAR PALRAM, LE PRODUIT EST DESTINE A UN USAGE RESIDENTIEL NORMAL SEULEMENT. PALRAM N'EST PAS RESPONSABLE DE TOUTE PERTE? DOMMAGE, FRAIS OU DEPENSE RESULTANT D'UNE UTILISATION DU PRODUIT POUR TOUTE FIN QUI N'EST PAS RECOMMANDEE PAR LES INSTRUCTIONS ECRITES OU QUI N'EST PAS PERMISE PAR LA MOINDRE LOI OU AUTRES CODES APPLICABLES DANS L'ENDROIT OU L'ACQUEREUR UTILISERAIT LE PRODUIT.

FR

Palrams 5 års Begrænset Garanti

Produkt detaljer: Drivhuse

Palram Applications (1995) Ltd. (Virksomhedsregistreringsnummer: 512106824), registreret på adressen Teradion Industrial Park, M.P. Misgav 20174, Israel ("Palram"), garanterer at Produktet ikke lider af materielle eller fabrikationsfejl i en periode på fem år fra købsdatoen, underlagt definitionerne og vilkårene indeholdt i denne garanti.

1. Vilkår

- 1.1 Denne garanti er kun gældende, hvis Produktet er installeret, rengjort, håndteret og vedligeholdt i overensstemmelse med Palrams skrevne anbefalinger.
- 1.2 Uden at afvige fra det ovennævnte, er skade opstået grundet brug af fysisk magt, ukorrekt håndtering, upassende brug, forsømmelig brug, samling eller vedligeholdelse, uheld, indvirken fra fremmedlegemer, vandalisme, forurenende stoffer, ændringer, maling, tilslutning, limning, forsejling, der ikke er i overensstemmelse med brugsvejledningen, eller skade som resultat af rengøring med ikke-kompatible rengøringsmidler og mindre afvigelse ved Produktet ikke dækket af denne garanti.
- 1.3 Denne garanti dækker ikke skade som resultat af "naturens handling", hvilket omfatter, men er ikke begrænset til hagl, storm, tornadoer, orkaner, snestorme, oversvømmelse, følger af brand.
- 1.4 Denne garanti er ugyldig, hvis der benyttes konstruktionsdele og løse dele, der ikke er kompatible med Palrams skrevne anbefalinger.
- 1.5 Denne garanti er kun gældende for Produktets oprindelige køber. Den omfatter ikke andre købere eller brugere af Produktet (inklusive, men ikke begrænset til, enhver person der erhverver Produktet fra den oprindelige køber).

2. Krav og Bekendtgørelser

- 2.1 Ethvert garantikrav skal bekendtgøres skriftligt til Palram inden for 30 dage, efter opdagelsen af det defekte Produkt, og vedlægges den originale kvittering og denne garanti.
- 2.2 Skadesanmelderen skal lade Palram undersøge Produktet, der er tale om, og selve installationen, mens Produktet stadig befinder sig i sin oprindelige position og ikke er blevet fjernet eller flyttet eller ændret på nogen måde, og/eller lade produktet sende tilbage til Palram for afprøvning.
- 2.3 Palram forbeholder sig retten til selvstændigt at undersøge årsagen til dette funktionssvigt.

3. Erstatning

- 3.1 Hvis et krav i henhold til denne garanti bekendtgøres korrekt og godkendes af Palram, kan køberen, efter Palrams valg, (a) købe et erstatningsprodukt eller del/e, eller (b) modtage refundering for det oprindelige Produkts eller del/es købspris, alt i henhold til den følgende oversigt:

Periode Efter Køb	Erstatningsprodukt eller Del/e	Refundering
Fra købsdato til udgangen af 1. år	Uden beregning	100%
Udgangen af 1. år til udgangen af 2. år	køber vil betale 20 % af den oprindelige købspris	80%
Udgangen af 2. år til udgangen af 3. år	køber vil betale 40 % af den oprindelige købspris	60%
Udgangen af 3. år til udgangen af 4. år	køber vil betale 60 % af den oprindelige købspris	40%
Udgangen af 4. år til udgangen af 5. år	køber vil betale 80 % af den oprindelige købspris	20%

- 3.2 For at undgå tvivl vil beregning for bestemmelse af erstatning for defekt(e) del/e, i henhold til oversigten ovenfor, blive baseret på den defekte dels dækning i forhold til Produktets oprindelige pris. Palram forbeholder sig retten til at levere erstatninger, hvis Produktet, eller nogen del af dette, er utilgængeligt eller forældet.
- 3.3 Denne garanti dækker ikke omkostninger eller udgifter ved fjernelse og installation af Produktet, eller afgifter, eller forsendelsesomkostninger, eller nogen direkte eller indirekte tab, der kan opstå grundet Produktfejl.

4. Almindelige Betingelser og Begrænsninger

- 4.1 UD OVER HVAD DER ER BLEVET SPECIFIKT ANFØRT I DENNE GARANTI, ER ALLE ANDRE GARANTIER, OM UDTRYKT ELLER UNDERFORSTÅET, OMFATTENDE ALLE UNDERFORSTÅEDE GARANTIER VEDRØRENDE SALGBARHED ELLER EGNETHED TIL ET SPECIFIKT FORMÅL UNDTAGET FOR SÅ VIDT LOVEN TILLADER
- 4.2 MED UNDTAGELSE AF, HVOR VI HAR SPECIFIKT ANFØRT DET I DENNE GARANTI, ER PALRAM IKKE ANSVARLIG FOR NOGEN TAB ELLER SKADER, SOM KØBEREN LIDER DIREKTE, INDIREKTE, ELLER SOM EN FØLGE AF BRUG, ELLER PÅ NOGEN ANDEN MÅDE FORBINDELSE TIL PRODUKTET.
- 4.3 HVIS PALRAM UDELUKKES FRA, I HENHOLD TIL ENHVER GÆLDENDE LOV, AT UNDTAGE DEN UNDERFORSTÅEDE SALGBARHEDS ELLER EGNETHEDSGARANTI FOR ET SPECIFIKT FORMÅL I FORHOLD TIL PRODUKTET, ER VARIGHEDEN AF ALLE SÅDANNE UNDERFORSTÅEDE GARANTIER UDTRYKkelig BEGRÆNSET TIL VARIGHEDEN AF DENNE GARANTI, ELLER, HVIS LÆNGERE, DEN MAKSIMALE PERIODE KRÆVET AF GÆLDENDE LOVGIVNING.
- 4.4 KØBEREN ER ENEANSVARLIG FOR AT BESLUTTE OM HÅNDBTERINGEN, OPBEVARINGEN, SAMLINGEN, INSTALLATIONEN ELLER BRUGEN AF PRODUKTET ER SIKKERT OG PASSENDE PÅ ETHVERT OMRÅDE, TIL ENHVER APPLIKATION ELLER UNDER ETHVERT GIVENT FORHOLD. PALRAM ER IKKE ANSVARLIG FOR NOGEN SKADER ELLER KVÆSTELSER KØBER, ENHVER ANDEN PERSON, ELLER EJENDOM MÅTTE LIDE, SOM RESULTAT AF UKORREKT HÅNDBTERING, OPBEVARING, INSTALLATION, SAMLING ELLER BRUG AF PRODUKTET ELLER UNDLADELSE AF AT FØLGE DE SKREVNE ANBEFALINGER VEDRØRENDE HÅNDBTERING, OPBEVARING, INSTALLATION, SAMLING OG BRUG AF PRODUKTET.
- 4.5 MEDMINDRE ANDET ER UDTRYKkelig ANGIVET AF PALRAM, ER PRODUKTET KUN BEREGET TIL ALMINDELIG BOLIGFORMÅL. PALRAM ER IKKE ANSVARLIG FOR TAB, SKADE, OMKOSTNINGER ELLER UDGFIFTER SOM RESULTAT AF NOGEN BRUG AF PRODUKTET TIL NOGET, DER IKKE ER ANBEFALET I DE SKREVNE ANBEFALINGER, ELLER IKKE ER TILLADT I HENHOLD TIL NOGEN GÆLDENDE LOVGIVNING ELLER ANDRE GÆLDENDE REGLER PÅ DET STED, HVOR KØBER VIL BRUGE PRODUKTET.

DA

Palram 'n 5 vuoden rajoitetut takuuehdot

Tuotetiedot: kasvihuoneet

Palram Applications (1995) Ltd (yhtiön rek.nro 512106824) jonka päätoimipiste toimii osoitteessa Teradion Industrial Park, M.P Misgav 20174, Israel. Palram taakeita, että se valmistamissa tuotteissa ei sisälly virheitä materiaali- tai valmistusvirheitä, ja seuraavan viiden vuoden aikana alkuperäisestä ostopäivästä, joita on raportoitu osuhteissa.

1. Olosuhteet

- 1.1 Tämä takuu on voimassa vain tuotteelle joka on ohjeen mukaisesti asennettu, hoidettu & ylläpidetty sekä pidetty puhtaana Palramin ohjekirjassa antamien ohjeiden mukaisesti.
- 1.2 Poikkeamatta edellä mainitusta, vauriot jotka ovat syntyneet liiallisesta voiman käytöstä, vääristä tai sopimattomasta käytöstä, huolimattomasta asennuksesta, käytöstä tai ylläpidosta, vahingoista, vieraiden esineiden kolhuista, ilkivallasta epäpuhtauksista, muutoksista, maalauksista, liitoksista, liimauksista, teippauksista, sopimattomista tiivistyksistä tai vaurioista jotka ovat syntyneet yhteensopimattomista puhdistusaineista. Pienet poikkeamat eivät kuulu tämän takuun piiriin.
- 1.3 Tämä takuu ei kata luonnonilmiöitä taikka niistä syntyneitä vaurioita kuten rakeet, raskas lumi, myrsky, pyörremyrsky, hirmumyrsky, salammat, tulii taikka tulva.
- 1.4 Tämä takuu on mitätön mikäli kasvihuoneen kanssa käytetään yhteensopimattomia rakenneosia taikka komponentteja jotka eivät ole valmistajan (Palram) suositusten mukaisia.
- 1.5 Tämä takuu on ainoastaan voimassa alkuperäiselle ostajalle / saajalle. Se ei ole jatkettavissa tai siirrettävissä toisille käyttäjille taikka seuraaville omistajille.

2. Reklamaatit ja ilmoitukset

- 2.1 Kaikki takuuvaatimukset on tehtävä kirjallisesti Palramille 30 päivän sisällä viallisen tuotteen huomaamisesta, ja mukaan on liitettävä alkuperäinen ostokuitti ja tämä takuu.
- 2.2 Kantajan (reklamaation tehnyt) tulee sallia valmistajan / valmistajan edustajan tarkistaa vioittunut tuote sen alkuperäisessä sijainnissa siinä kunnossa kuin se on vaurion sattumisen jälkeen. Tuotetta ei saa muunnella, korjata, siirtää taikka lähettää valmistajalle / edustajalle ennen siihen saatua lupaa.
- 2.3 Valmistaja (Palram) varaa oikeuden saada itsenäisesti tutkia vian syy.

3. Korvaus

- 3.1 Mikäli reklamaatio on takuun mukaisesti ilmoitettu ja hyväksytty Palramilta, on ostaja (kantaja) oikeutettu joko korvaaviin osiin / tuotteeseen taikka hyvitykseen joka on suhteessa vahinkoon & hankintahintaan seuraavan taulukon mukaisesti:

Aikaa hankinnasta	Korvaava tuote ja / tai osa	Korvaus
1 vuosi hankinnasta	Veloituksetta	100%
1 => 2 ^{ten} vuoteen hankinnasta	Omavastuu 20 %	80 %
2 => 3 ^{ten} vuoteen hankinnasta	Omavastuu 40 %	60 %
3 => 4 ^{ten} vuoteen hankinnasta	Omavastuu 60 %	40 %
4 => 5 ^{ten} vuoteen hankinnasta	Omavastuu 80 %	20 %

- 3.2 Välttyäkseen miltään epäilyiltä, laskentavirheiltä tai väärinkäsityksiltä korvattavuuden suhteen edellä esitetyn taulukon mukainen korvaus lasketaan aina viallisen / vioittuneen osan osuudesta kokonaistuotteen hankinta-arvosta. Valmistaja varaa oikeuden toimittaa korvaava tuote / tuoteosa mikäli alkuperäistä osaa ei ole enää saatavissa tai se on vanhentunut.
- 3.3 Tämä takuu ei korvaa kuluja jotka ovat syntyneet asennuksesta, purkauksesta, tuotteen siirtämisestä tai korjaustyöstä eikä myöskään suorista tai epäsuorista kuluista – menetyksistä kuten veroista, muutoista, toimitus- & lähetyskuluista jotka ovat syntyneet tuotteen viallisuudesta tai vioittuneisuudesta.

4. Yleiset ehdot ja rajoitukset

- 4.1 MUILTA OSIN KUIN NIMENOMAISESTI TÄSSÄ TAKUUSSA ON ESITETTY, KAIKKIEN MUIDEN TAKUIDEN YLEISSITOUVUDET KAUPALLISESTA HYÖDYNNETTÄVYDESTÄ TAI SOPIVUUDESTA SUORAAN TAI VÄLILLISESTI OVAT POISSULJETTU SIKÄLI KUIN LAKI SALLII.
- 4.2 POISLUKKEEN MITÄ NÄISSÄ TAKUUEHDOISSA ON ESITETTY, VALMISTAJA EI VASTAA MISTÄÄN TAPPIOISTA TAI VAHINGOISTA MITÄ OSTAJA TAI TUOTTEEN KÄYTTÄJÄ KÄRSI SUORAAN, VÄLILLISESTI TAI SEURAUKSENA TUOTTEEN KÄYTTÄMISESTÄ TAI YHTEYDESTÄ TUOTTEESEEN.
- 4.3 MIKÄLI VALMISTAJAA ON KIELLETTY EVÄTÄ PAIKALLISESTI SOVELLETTAVAN LAINSÄÄDÄNNÖN TAI KULUTTANSUOJA SUOSITUSTEN POHJALTA TAKUUEHTOJEN MUKAISIA KORVAUKSIA – SOVELLETAAN YLEISESTI KAUPALLISESTI HYÖDYNNETTÄVYDESTÄ TAI SOPIVUUDESTA TIETYYN TARKOITUKSEEN NÄHDEN TUOTTEEN OLEVAN TAKUIDEN VOIMASSAOLOAIKAA PAIKALLISEN LAIN MUKAAN.
- 4.4 OSTAJA ON YKSIN VASTUUSSA ASIANMUKAISESTA KÄSITTELYSTÄ, VARASTOINNISTA, KOKOONPANOISTA SEKÄ TURVALLISESTA SJAINNISTAETÄÄ KÄYTÖSTÄ JA SÄILYTYKSESTÄ. PALRAM EI OLE VASTUUSSA MISTÄÄN VAHINGOISTA TAI VAMMOISTA OSTAJALLE, MUULLE HENKILÖLLE TAI OSAPUOLELLE TAI HÄNEN OMAISUUDELLE MIKÄLI NE JOHTUVAT VÄÄRÄSTÄ KÄSITTELYSTÄ, VARASTOINNISTA, ASENNUKSESTA, KOKOAMISESTA TAI TUOTTEEN VÄÄRÄSTÄ KÄYTÖSTÄ TAI OHJEIDEN NOUDATTAMATTA JÄTTÄMISESTÄ.
- 4.5 PALRAMIN VALMISTAMA TUOTE ON TARKOITETTU NORMAALIIN ASUIMISTON PIHÄKÄYTTÖÖN ELLEI TOISIN OLE MERKITTY. PALRAM EI OLE VASTUUSSA MISTÄÄN MENETYKSESTÄ, VAHINGOSTA, KUSTANNUKSISTA TAI KULUISTA JOTKA JOHTUVAT TUOTTEEN VÄÄRÄSTÄ KÄYTÖSTÄ MIHIN TAHANSA TARKOITUKSEEN, MIKÄLI EI OLLA NOUDATETTU SUOSITELTUJA KIRJALLISIA OHJEITA TAI JOS KÄYTTÖ EI OLE SALLITTUA SOVELLETTAVAN LAINSÄÄDÄNNÖN TAI MUIDEN ASETUSTEN MUKAAN PAIKASSA JOSSA OSTAJA KÄYTTÄÄ TUOTETTA.

FI

PALRAM 's 5 jaars beperkte garantie

Productgegevens: kassen

Palram Applications (1995) Ltd (Bedrijfsnummer: 512106824) met maatschappelijke zetel te Teradion Industrial Park, M.P Misgav 20174, Israël ("Palram") garandeert dat het product vrij is van materiaal-en fabricagefouten voor een periode van vijf jaar vanaf de oorspronkelijke datum van aankoop door de definities en voorwaarden van deze garantie.

1. Voorwaarden

- 1.1 Deze garantie is alleen geldig indien het Product is geïnstalleerd, gereinigd, gebruikt en onderhouden in overeenstemming met de geschreven aanbevelingen van Palram.
- 1.2 Zonder afte wijken van het bovenstaande, zal schade veroorzaakt door gebruik van geweld, onjuist gebruik, oneigenlijk gebruik, nalatig gebruik of montage of onderhoud, ongevallen, botsing met vreemde voorwerpen, vandalisme, vervuiling, aanpassingen, schilderen, verbinden, lijmen, afdichten op een wijze die niet in overeenstemming is met de handleiding, of schade als gevolg van reiniging met incompatibele schoonmaakmiddelen en geringe afwijkingen van het Product niet vallen onder deze garantie.
- 1.3 Deze garantie geldt niet voor schade als gevolg van "overmacht", inclusief maar niet beperkt tot, hagel, onweer, tornado's, orkanen, sneeuwstormen, overstromingen, gevolgen van brand.
- 1.4 Deze garantie vervalt als structurele onderdelen en onderdelen die worden gebruikt niet compatibel zijn met schriftelijke aanbevelingen van Palram.
- 1.5 Deze garantie geldt alleen voor de oorspronkelijke koper van het Product. Zij geldt niet voor een andere koper of gebruiker van het Product (inclusief, maar niet beperkt tot, elke persoon die het product koopt van de oorspronkelijke koper).

2. Claims en meldingen

- 2.1 Elke garantielaan dient bij Palram te worden ingediend binnen 30 dagen na de ontdekking van het defecte product, met bijvoeging van het originele koopbewijs en deze garantie.
- 2.2 De eiser moet het Palram mogelijk maken het betrokken product en de constructielocatie zelf te inspecteren, met het product nog in de oorspronkelijke positie en niet verwijderd of verplaatst of op enigerlei wijze veranderd en/of het product terugzenden naar Palram om te laten testen.
- 2.3 Palram behoudt zich het recht om zelfstandig de oorzaak van een probleem te onderzoeken.

3. Compensatie

- 3.1 Indien een claim onder deze garantie goed is aangemeld en door Palram is goedgekeurd, mag de koper, naar Palrams keuze, ofwel (a) een vervangend product of onderde(e)l/en aanschaffen, of (b) het aankoopbedrag van het oorspronkelijke product of onderde(e)l/en terugkrijgen, alles in overeenstemming met het volgende schema:

Periode na aankoop	vervangende product of onderde(e)l/en Teruggave	Teruggave
Vanaf de aankoopdatum tot het eind van 1e jaar	Gratis	100%
Einde van 1 ^e jaar tot einde van 2 ^e jaar	koper betaalt 20% van het oorspronkelijke aankoopbedrag	80%
Einde van 2 ^e jaar tot einde van 3 ^e jaar	koper betaalt 40% van het oorspronkelijke aankoopbedrag	60%
Einde van 3 ^e jaar tot einde van 4 ^e jaar	koper betaalt 60% van het oorspronkelijke aankoopbedrag	40%
Einde van 4 ^e jaar tot einde van 5 ^e jaar	koper betaalt 80% van het oorspronkelijke aankoopbedrag	20%

- 3.2 Voor alle duidelijkheid, de berekening voor de bepaling van de compensatie voor defecte onderde(e)l/en, volgens het bovenstaande schema, zal worden gebaseerd op de bijdrage van het defecte onderdeel op de oorspronkelijke kosten van het product. Palram behoudt zich het recht voor vervangingen te leveren indien het product of enig deel daarvan niet beschikbaar of verouderd is.
- 3.3 Deze garantie dekt geen kosten en uitgaven van de verwijdering en installatie van het Product of belastingen of verzendkosten of enige andere directe of indirecte schade(s) die kan/kunnen voortvloeien uit het defect van het product.

4. Algemene voorwaarden en beperkingen

- 4.1 ANDERS DAN SPECIFIEK IN DEZE GARANTIE AANGEGEVEN, ZIJN ALLE ANDERE GARANTIES, HETZIJ EXPLICIET OF IMPLICIET, INCLUSIEF ALLE IMPLICIETE GARANTIES VAN VERKOOPBAARHEID OF GESCHIKTHEID VOOR EEN BEPAALD DOEL UITGESLOTEN VOOR ZOVER DE WET DIT TOELAAT.
- 4.2 BEHALVE WAAR WE DAT SPECIFIEK HEBBEN AANGEGEVEN IN DEZE GARANTIE, ZAL PALRAM NIET VERANTWOORDELIJK VOOR VERLIES OF SCHADE DIE DE KOPER LIJDT, DIRECT OF INDIRECT, OF ALS GEVOLG VAN HET GEBRUIK, OF OP WELKE ANDERE WIJZE DAN OOK IN VERBAND MET HET PRODUCT.
- 4.3 ALS HET PALRAM VERBODEN IS ONDER DE TOEPASSELIJKE WETGEVING DE GARANTIES VAN VERKOOPBAARHEID OF GESCHIKTHEID UIT TE SLUITEN VOOR EEN BEPAALD DOEL MET BETREKKING TOT HET PRODUCT, IS DE DUUR VAN ALLE DERGELIJKE IMPLICIETE GARANTIES UITDRUKKELIJK BEPERKT TOT DE DUUR VAN DEZE GARANTIE OF, INDIEN LANGER, TOT DE MAXIMALE PERIODE VEREIST IN DE TOEPASSELIJKE WETGEVING.
- 4.4 DE KOPER IS ZELF GEHEEL VERANTWOORDELIJK OM TE BEPALEN OF HET HANTEREN, DE OPSLAG, MONTAGE, INSTALLATIE OF HET GEBRUIK VAN HET PRODUCT OP ELKE LOCATIE VEILIG EN PASSEND IS, GESCHIKT IS VOOR HET DOEL OF PASSEND ONDER DE GEVEGEN OMSTANDIGHEDEN IS. PALRAM IS NIET VERANTWOORDELIJK VOOR ENIGE SCHADE OF LETSEL AAN DE KOPER, EEN ANDERE PERSOON OF ENIGE ANDERE ZAKEN ALS GEVOLG VAN ONDOELMATIG GEBRUIK, OPSLAG, INSTALLATIE, MONTAGE OF HET GEBRUIK VAN HET PRODUCT OF HET NIET VOLGEN VAN DE SCHRIFTELIJKE AANWIJZINGEN BETREFFENDE HET HANTEREN, OPSLAAN, INSTALLEREN, MONTEREN EN GEBRUIK VAN HET PRODUCT.
- 4.5 TENZIJ UITDRUKKELIJK ANDERS DOOR PALRAM AANGEGEVEN, IS HET PRODUCT ALLEEN BEDOELD VOOR NORMAAL HUISHOUDELIJK GEBRUIK. PALRAM IS NIET VERANTWOORDELIJK VOOR VERLIES, SCHADE, KOSTEN OF UITGAVEN ALS GEVOLG VAN HET GEBRUIK VAN HET PRODUCT VOOR ENIG DOEL DAT NIET IS AANBEVOLEN IN DE SCHRIFTELIJKE INSTRUCTIES OF DAT NIET IS TOEGESTAAN VANWEGE ENIGE TOEPASSELIJKE WETGEVING OF ANDERE GEBRUIKEN OP DE LOCATIE WAAR DE KOPER HET PRODUCT ZAL GEBRUIKEN.

NL

Garantía limitada de 5 años de Palram

ES

Angaben zum Produkt: Invernaderos

Palram Applications (1995) Ltd (Número de la compañía: 512106824) cuya oficina registrada se encuentra en Teradion Industrial Park, M.P Misgav 20174, Israel ("Palram") garantiza que el Producto no tendrá defectos de material o de fabricación durante un periodo de Diez años desde la fecha de compra original sujeto a las definiciones, términos y condiciones contenidos en esta garantía.

1. Condiciones

- 1.1 Esta garantía solo será válida si el Producto es instalado, limpiado, manipulado y mantenido de acuerdo a las recomendaciones por escrito de Palram.
- 1.2 Sin derogar lo anterior, los daños causados por el uso de la fuerza, manipulación incorrecta, uso inapropiado, uso o montaje o mantenimiento negligentes, accidentes, impacto de objetos extraños, vandalismo, contaminantes, alteración, pintado, conexión, pegado, sellado no de acuerdo al manual del usuario, o daños resultantes de la limpieza con detergentes incompatibles y desviaciones menores del Producto no están cubiertos por esta garantía.
- 1.3 Esta garantía no se aplica a daños resultantes de "fuerza mayor", que incluye entre otros, granizo, tormenta, tornado, huracán, ventisca, inundación, efectos del fuego.
- 1.4 Esta garantía es nula si los componentes o piezas estructurales utilizados no son compatibles con las recomendaciones escritas de Palram.
- 1.5 Esta garantía se aplica solamente al comprador normal del Producto. No se extiende a cualquier otro comprador o usuario del Producto (incluyendo, entre otros, cualquier persona que adquiera el Producto desde el comprador original).

2. Reclamaciones y notificaciones

- 2.1 Toda reclamación de la garantía debe ser notificada por escrito a Palram lo antes que sea posible razonablemente después de descubrir el Producto defectuoso, adjuntando el tique de venta original y esta garantía.
- 2.2 El reclamante debe permitir a Palram inspeccionar el Producto pertinente y el sitio de la instalación en sí mismo mientras el Producto está todavía en su posición original y no se ha retirado ni movido o alterado de ningún modo y/o devolver el Producto a Palram para evaluarlo.
- 2.3 Palram se reserva el derecho a investigar la causa de cualquier fallo de forma independiente.

3. Compensación

- 3.1 Si una reclamación bajo esta Garantía se notifica apropiadamente y es aprobada por Palram, el comprador, según considere Palram, puede o bien (a) comprar un Producto o pieza/s de recambio; o (b) recibir el reembolso del precio de compra del Producto o la pieza o piezas, todo de acuerdo al siguiente calendario:

El periodo tras la compra	Reembolso del Producto o Pieza /s	Recambio Según
Desde la fecha de compra hasta el final del primer año	Sin costes	100%
Fin del 1.er año hasta el final del 2.º año	El comprador pagará el 20 % del precio original de compra	80%
Fin del 2.º año hasta el final del 3.er año	El comprador pagará el 40 % del precio original de compra	60%
Fin del 3.er año hasta el final del 4.º año	El comprador pagará el 60 % del precio original de compra	40%
Fin del 4.º año hasta el final del 5.º año	El comprador pagará el 80 % del precio original de compra	20%

- 3.2 Para evitar cualquier duda, el cálculo de la determinación de la compensación por pieza/s defectuosas, según el calendario de arriba, se basará en la contribución de la pieza defectuosa al coste original del Producto. Palram se reserva el derecho de proporcionar sustituciones si el Producto o cualquier pieza del mismo no está disponible o es obsoleta.
- 3.3 Esta garantía no cubre ningún coste ni gasto de la retirada e instalación del Producto o impuestos o gastos de envío ni cualquier otra pérdida/s directa o indirecta que pueda resultar del defecto del Producto.

4. Condiciones generales y limitaciones

- 4.1 APARTE DE LO QUE SE HA AFIRMADO ESPECÍFICAMENTE EN ESTA GARANTÍA, TODAS LAS DEMÁS GARANTÍAS, TANTO EXPRESAS COMO IMPLÍCITAS, INCLUYENDO TODAS LAS GARANTÍAS IMPLÍCITAS DE COMERCIABILIDAD O IDONEIDAD PARA UN PROPÓSITO EN PARTICULAR SE EXCLUYEN EN LA EXTENSIÓN EN QUE LO PERMITA LA LEY.
- 4.2 EXCEPTO DONDE LO HAYAMOS DECLARADO ESPECÍFICAMENTE EN ESTA GARANTÍA, PALRAM NO SERÁ RESPONSABLE DE CUALQUIER PÉRDIDA O DAÑOS QUE SUFRA EL COMPRADOR DIRECTAMENTE, INDIRECTAMENTE O COMO CONSECUENCIA DE UTILIZAR EL PRODUCTO O EN CONEXIÓN DE CUALQUIER MODO CON EL MISMO.
- 4.3 SI SE PROHÍBE A PALRAM, BAJO CUALQUIER LEY APLICABLE, EXCLUIR LAS GARANTÍAS IMPLÍCITAS DE COMERCIABILIDAD O IDONEIDAD PARA UN PROPÓSITO EN PARTICULAR CON RELACIÓN AL PRODUCTO, LA DURACIÓN DE DICHAS GARANTÍAS IMPLÍCITAS SE LIMITA EXPRESAMENTE A LA DURACIÓN DE ESTA GARANTÍA, O SI ES MÁS TIEMPO, EL PERIODO MÁXIMO REQUERIDO POR LA LEY APLICABLE.
- 4.4 EL COMPRADOR ES RESPONSABLE ÚNICAMENTE DE DETERMINAR SI LA MANIPULACIÓN, ALMACENAMIENTO, MONTAJE, INSTALACIÓN O USO DEL PRODUCTO ES SEGURO Y APROPIADO EN CUALQUIER UBICACIÓN, PARA CUALQUIER APLICACIÓN DADA O EN CUALQUIER CIRCUNSTANCIA DADA. PALRAM NO ES RESPONSABLE POR CUALQUIER DAÑO O LESIÓN DEL COMPRADOR, CUALQUIER OTRA PERSONA O CUALQUIER PROPIEDAD QUE RESULTE DE LA MANIPULACIÓN, ALMACENAMIENTO, INSTALACIÓN, MONTAJE O USO INADECUADOS DEL PRODUCTO O NO SEGUIR LAS INSTRUCCIONES ESCRITAS ACERCA DE LA MANIPULACIÓN, ALMACENAMIENTO, INSTALACIÓN, MONTAJE Y USO DEL PRODUCTO.
- 4.5 A MENOS QUE SE INDIQUE EXPRESAMENTE LO CONTRARIO POR PALRAM, EL PRODUCTO ESTÁ PREVISTO SOLO PARA USO RESIDENCIAL NORMAL. PALRAM NO ES RESPONSABLE POR NINGUNA PÉRDIDA, DAÑO, COSTE O GASTO RESULTANTE DE CUALQUIER USO DEL PRODUCTO PARA CUALQUIER PROPÓSITO QUE NO ESTÉ RECOMENDADO POR LAS INSTRUCCIONES ESCRITAS O QUE NO ESTÉ PERMITIDO POR CUALQUIER LEGISLACIÓN APLICABLE U OTROS CÓDIGOS EN VIGOR EN LA UBICACIÓN DONDE USARÁ EL PRODUCTO EL COMPRADOR.