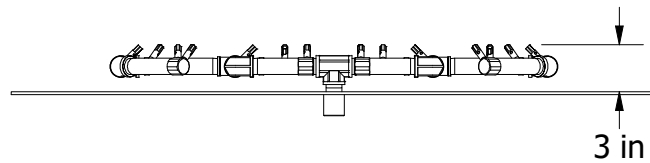


VIEW3
SCALE 0.08



CHECKED:

WARMING TRENDS®
www.warming-trends.com

CONFIDENTIAL: Any information, data and drawings embodied in this document are proprietary and strictly confidential, are to be held as confidential and have been supplied with the understanding that they will not be disclosed, in whole or in part or in any form, to third parties without the prior written consent of Warming Trends, LLC.

APPROVED:

DESCRIPTION:
360K BTU Octagon Brass Burner w/ 42 in Circular Plate Assembly

REV
A

SIZE
A

PART NUMBER:
CFBO360ALPL42C

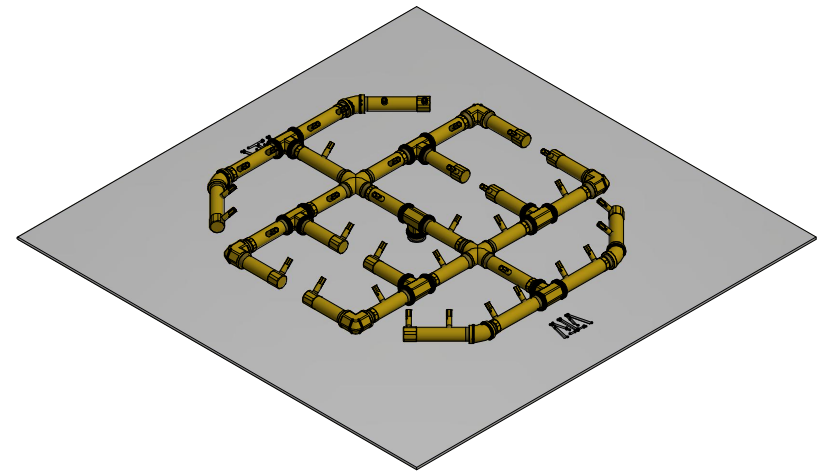
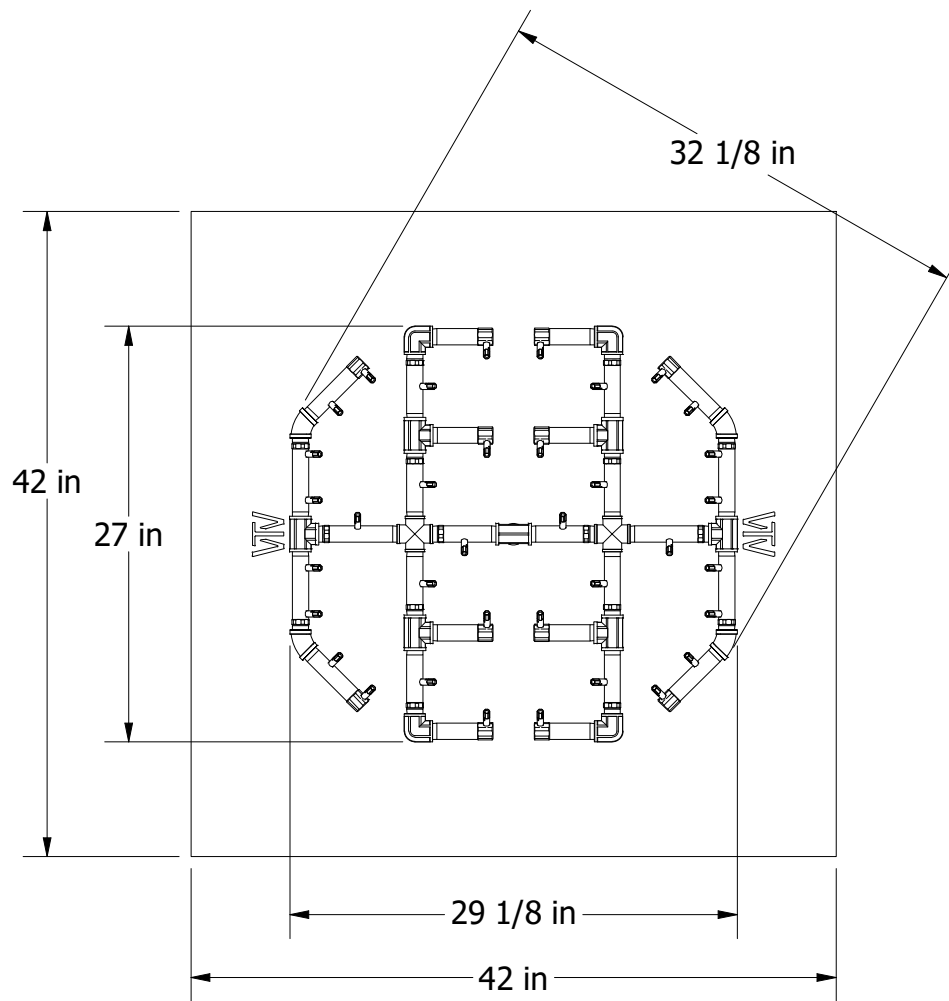
CUSTOMER:

QUOTE:

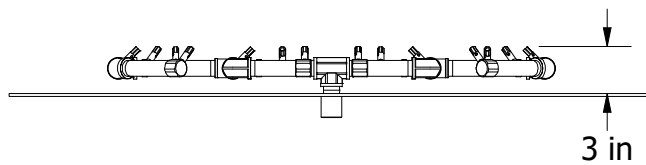
TOLERANCE: 0.5" SCALE: 0.08

SHEET: 1 OF 1 DATE: 2/17/2021

DRAWN: J. Bulla



VIEW3
SCALE .07



CHECKED:

WARMING TRENDS®
www.warming-trends.com

CONFIDENTIAL: Any information, data and drawings embodied in this document are proprietary and strictly confidential, are to be held as confidential and have been supplied with the understanding that they will not be disclosed, in whole or in part or in any form, to third parties without the prior written consent of Warming Trends, LLC.

APPROVED:

DESCRIPTION:
360K BTU Octagon Brass Burner w/ 42 in Square Plate Assembly

REV
A

SIZE
A

PART NUMBER:
CFBO360ALPL42S

CUSTOMER:

QUOTE:

TOLERANCE: 0.5" SCALE: .08

SHEET: 1 OF 1 DATE: 2/18/2021

DRAWN: J. Bulla