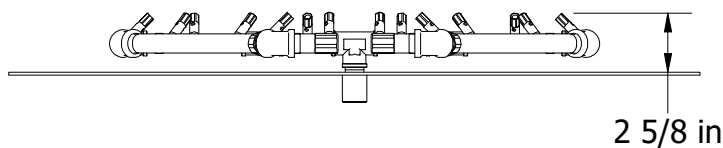


VIEW3  
SCALE 0.10



CHECKED:

**WARMING TRENDS®**  
www.warming-trends.com

**CONFIDENTIAL:** Any information, data and drawings embodied in this document are proprietary and strictly confidential, are to be held as confidential and have been supplied with the understanding that they will not be disclosed, in whole or in part or in any form, to third parties without the prior written consent of Warming Trends, LLC.

APPROVED:

DESCRIPTION:  
**280K BTU Octagon Brass Burner w/ 30 in Circular Plate Assembly**

REV  
**A**

SIZE  
**A**

PART NUMBER:  
**CFBO280ALPL30C**

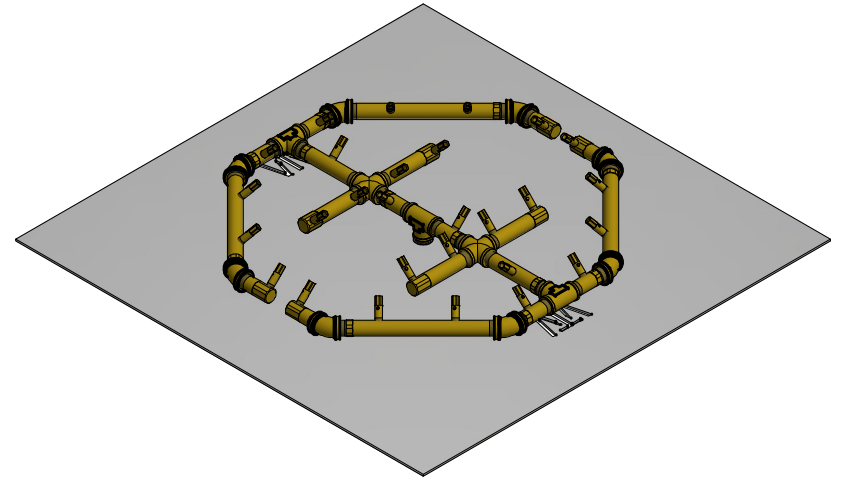
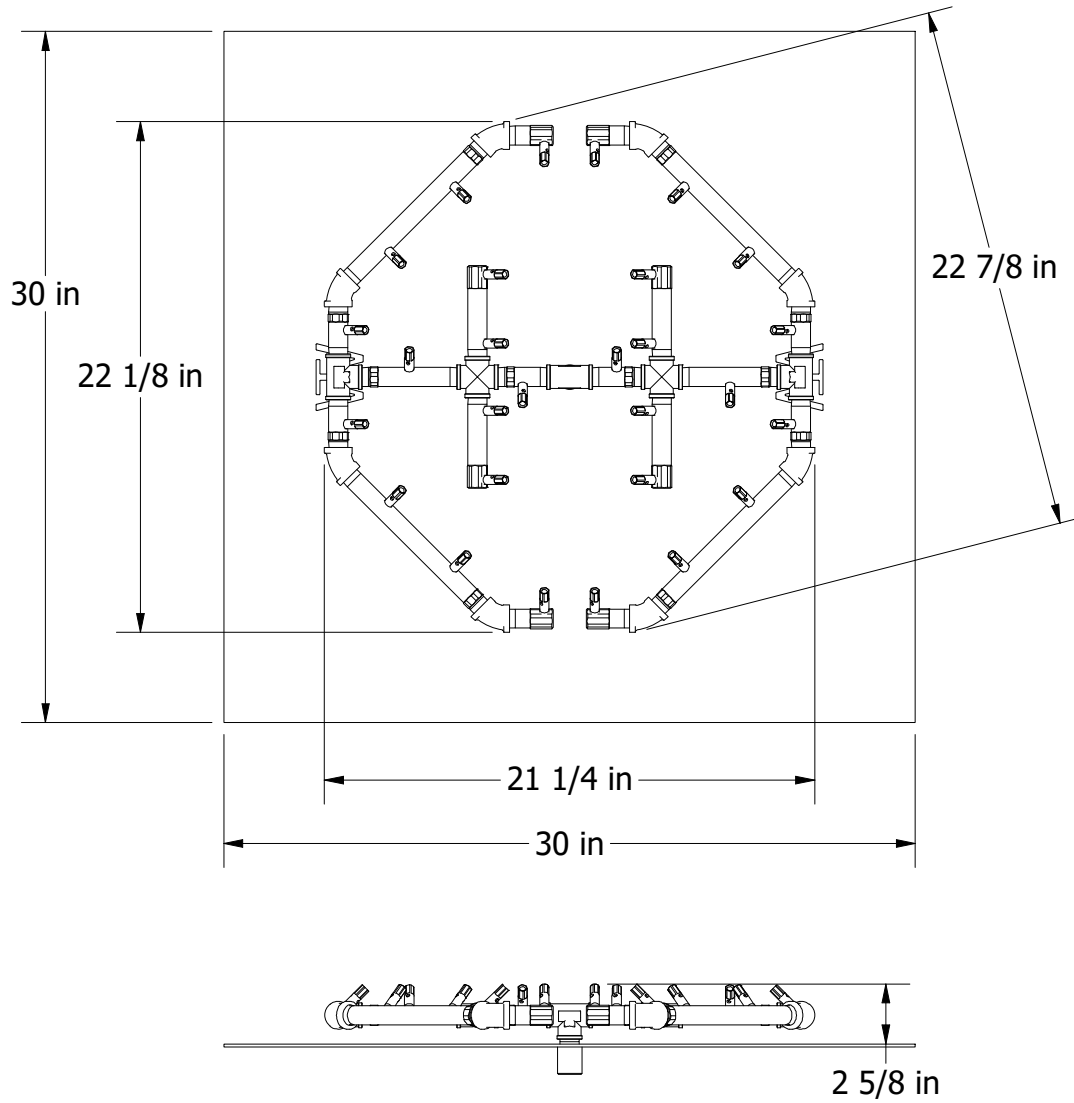
CUSTOMER:

QUOTE:

TOLERANCE: 0.5" SCALE: 0.12

SHEET: 1 OF 1 DATE: 2/17/2021

DRAWN: J. Bulla



VIEW3  
SCALE .10

CHECKED:

**WARMING TRENDS®**  
www.warming-trends.com

**CONFIDENTIAL:** Any information, data and drawings embodied in this document are proprietary and strictly confidential, are to be held as confidential and have been supplied with the understanding that they will not be disclosed, in whole or in part or in any form, to third parties without the prior written consent of Warming Trends, LLC.

APPROVED:

DESCRIPTION:  
**280K BTU Octagon Brass Burner w/ 30 in Square Plate Assembly**

REV  
**A**

SIZE  
**A**

PART NUMBER:  
**CFBO280ALPL30S**

CUSTOMER:

QUOTE:

TOLERANCE: 0.5" SCALE: .12

SHEET: 1 OF 1 DATE: 2/18/2021

DRAWN: J. Bulla