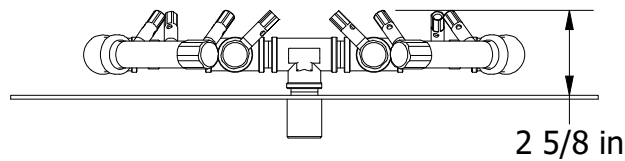

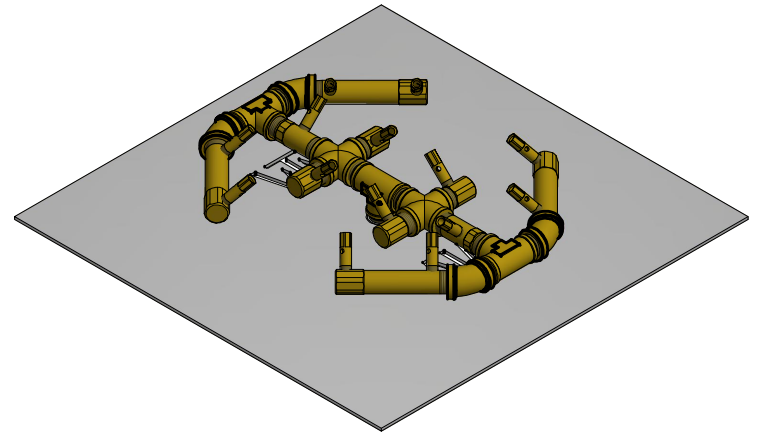
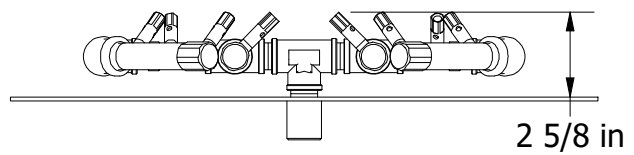
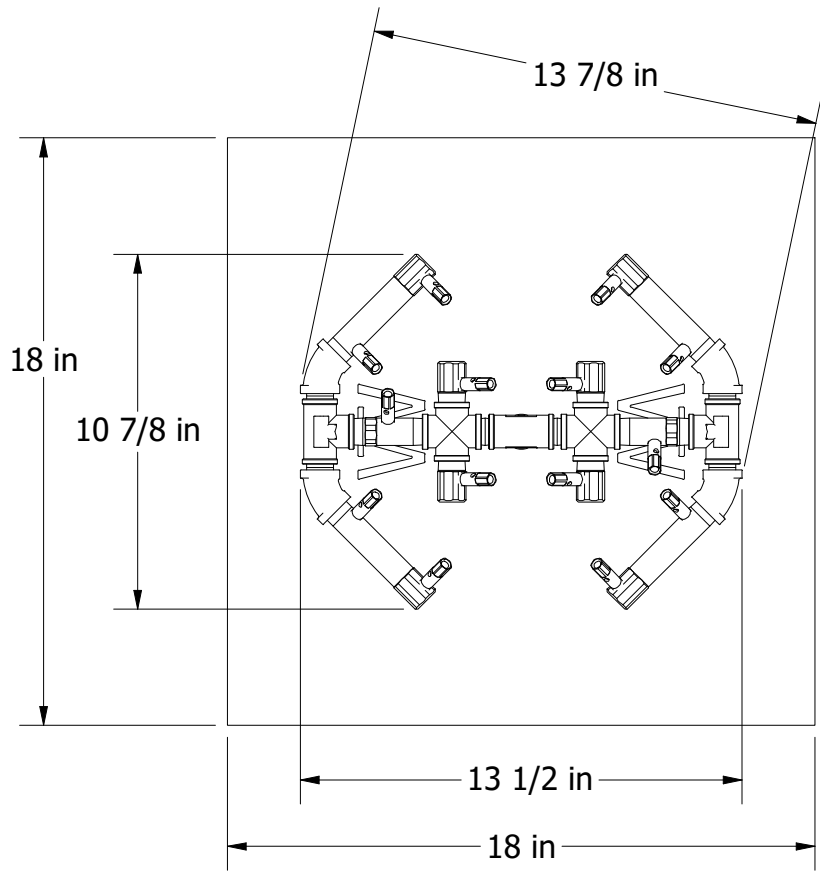



VIEW3
SCALE .15



CHECKED:		 www.warming-trends.com	CONFIDENTIAL: Any information, data and drawings embodied in this document are proprietary and strictly confidential, are to be held as confidential and have been supplied with the understanding that they will not be disclosed, in whole or in part or in any form, to third parties without the prior written consent of Warming Trends, LLC.		
APPROVED:			DESCRIPTION: 140K BTU Octagon Brass Burner w/ 18" Circular Plate Assembly		
REV	SIZE	PART NUMBER: CFBO140ALPL18C	CUSTOMER:		
A	A	QUOTE:	TOLERANCE: 0.5"	SCALE: .17	SHEET: 1 OF 1
		DATE: 2/17/2021		DRAWN: J. Bulla	



VIEW3
SCALE 0.15

CHECKED:		 www.warming-trends.com	CONFIDENTIAL: Any information, data and drawings embodied in this document are proprietary and strictly confidential, are to be held as confidential and have been supplied with the understanding that they will not be disclosed, in whole or in part or in any form, to third parties without the prior written consent of Warming Trends, LLC.			
APPROVED:			DESCRIPTION: 140K BTU Octagon Brass Burner w/ 18" Square Plate Assembly			
REV	SIZE	PART NUMBER: CFBO140ALPL18S		CUSTOMER:		
A	A	QUOTE:	TOLERANCE: 0.5"	SCALE: .17	SHEET: 1 OF 1	
		DATE: 2/18/2021		DRAWN: J. Bulla		