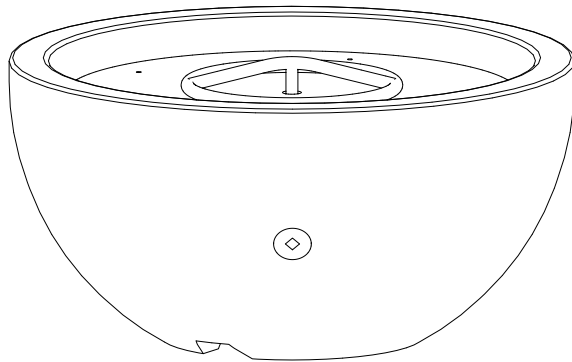
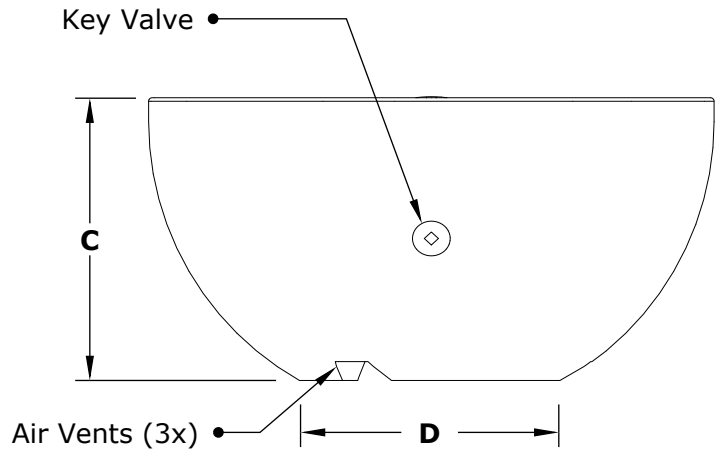


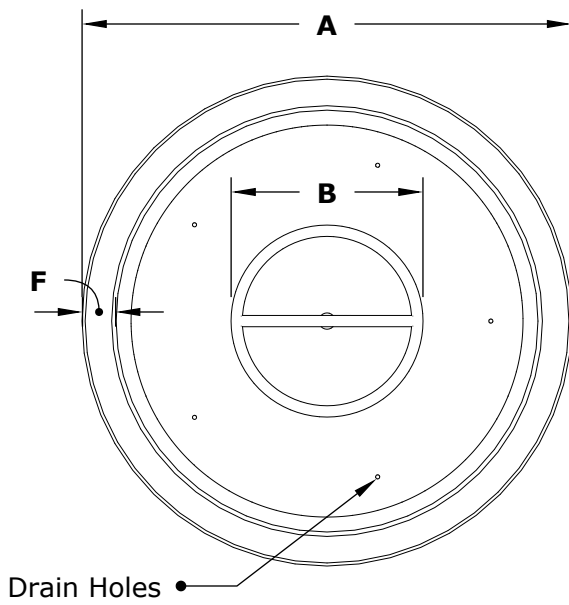
# LUNA FIRE PIT - GFRC CONCRETE



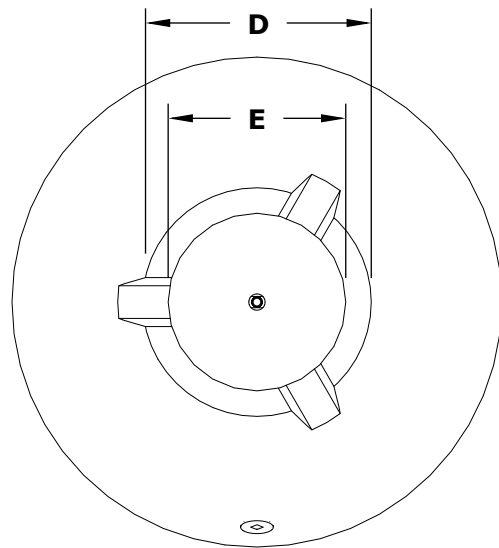
**ISOMETRIC VIEW**



**FRONT SIDE VIEW**



**TOP SIDE VIEW**



**BOTTOM SIDE VIEW**

SKU	A	B	C	D	E	F	BTU
OPT-LUN30	30"	10"	14.5	14"	10"	2"	65,000
OPT-LUN38	38"	12"	16.5	22"	17"	2.5"	65,000

Fire Pit Material: GFRC Concrete  
 Finish: Smooth Finish  
 Pan Material: 304 Stainless Steel  
 Burner Material: 304 Stainless Steel

**12V/110V ELECTRONIC IGNITION**  
 ANSI Z21.97-(2017) / CSA 2.41-(2017)



Includes: Pan, Burner, Key Valve, Whistle Free Hoses, Black Lava Rock.

*Proprietary & Confidential:* The information contained in this drawing is the sole property of **The Outdoor Plus**. Any reproduction or as a whole without written permission of **The Outdoor Plus** is prohibited.