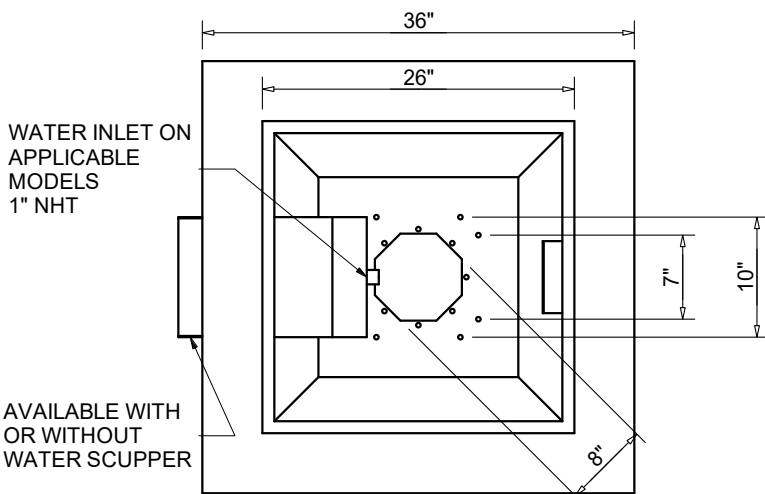




**FIRE INSPIRED<sup>®</sup>**

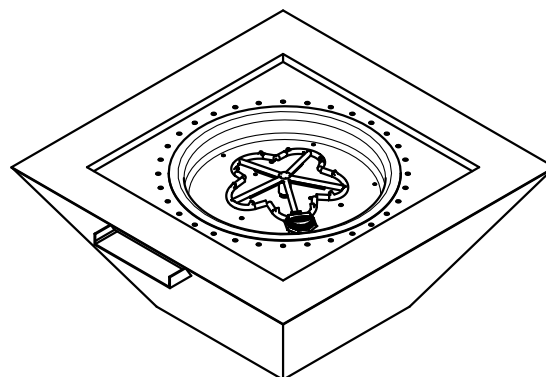
**CSA CERTIFIED-OUTDOOR USE ONLY  
FOR COMMERCIAL AND RESIDENTIAL USE**

**HEARTH PRODUCTS CONTROLS  
2225 LYONS RD.  
MIAMISBURG, OH 45342  
TOLL FREE: 877.585.9800  
PHONE: 937.436.9800  
www.hpcfire.com**

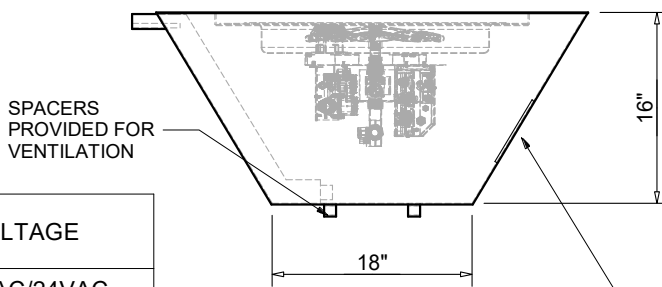


**PLAN VIEW**

**MATERIAL:  
FIRE BOWL INSERT - 304 STAINLESS STEEL  
BOWL - COPPER**

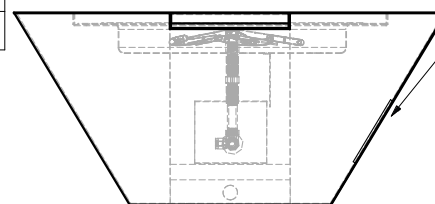


**ISOMETRIC VIEW**



**ELECTRONIC IGNITION OPTION**

**ACCESS  
DOOR**



**MATCH LIT OPTION**

**SPACERS  
PROVIDED FOR  
VENTILATION**

PART NUMBER		WATER SCUPPER	IGNITION	STND BTU	VOLTAGE
TOR-	SIER36-EI	NO	ELECTRONIC	50K	120VAC/24VAC
TOR-	SIER36W-EI	YES	ELECTRONIC	50K	120VAC/24VAC/12VAC
TOR-	SIER36-MLFPK	NO	MATCH LIT	50K	-
TOR-	SIER36W-MLFPK	YES	MATCH LIT	50K	-

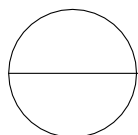
\*FOR TORPEDO BURNERS ADD TOR-

**Notes:**

- PROPER VENTING**
  - ENCLOSURES: Recommend 4 each 18 sq.in. vents on opposing sides (Minimum 2 each 18 sq.in. vents).
  - BOWLS (Copper, concrete or metal) - Bowl to be raised above mounting surface minimum of 3/4" gap; Bowl to have a minimum of 6" diameter hole in bottom
- GAS SUPPLY - FOR USE WITH FIXED PIPING SYSTEMS ONLY - NOT FOR USE WITH SMALL TANKS.**
  - Natural Gas: Supply Pressure: Minimum: 3.5" W.C.; Maximum: 7.0" W.C.
  - LP Gas: Supply Pressure: Minimum: 8.0" W.C.; Maximum 11.0" W.C.

**IMPORTANT:** Ensure any flex line that may be used from the permanent main fuel supply to the product is rated to the stated max btu of the product and certified to ANSI Z21.75\*CSA 6.27.

- MODIFICATION OF PRODUCT WILL VOID ANY CERTIFICATION AND WARRANTY.
- FOLLOW ALL MANUFACTURER INSTALLATION INSTRUCTIONS AND LOCAL CODES.
- ALL DIMENSIONS ARE CONSIDERED TRUE AND REFLECT MANUFACTURER'S SPECIFICATIONS AS OF THE REVISION DATE.
- DO NOT SCALE DRAWING.
- THESE DRAWINGS ARE FOR SIZING AND PLANNING PURPOSES. ALL INFORMATION CONTAINED HEREIN WAS CURRENT AT THE TIME OF DEVELOPMENT. THE MANUFACTURER'S RESPONSIBLE FOR THE ACCURACY OF THE DRAWING.
- CONTRACTOR'S NOTE: FOR PRODUCT AND COMPANY INFORMATION VISIT [www.CADdetails.com/info](http://www.CADdetails.com/info) REFERENCE NUMBER 771-021.



**SIERRA WITH EI FIRE PIT- FLAME SENSING WITH ELECTRONIC HOT SURFACE IGNITION  
SIERRA WITH MATCH LIT FIRE PIT INSERT**