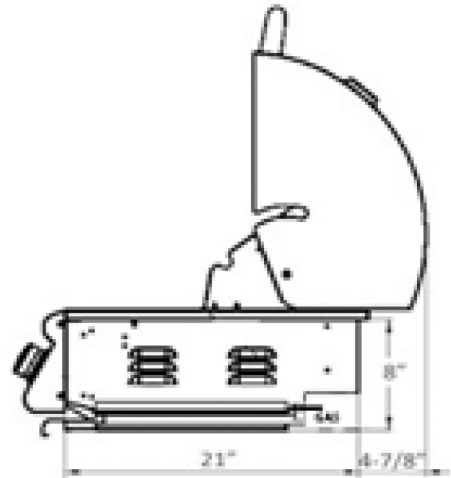
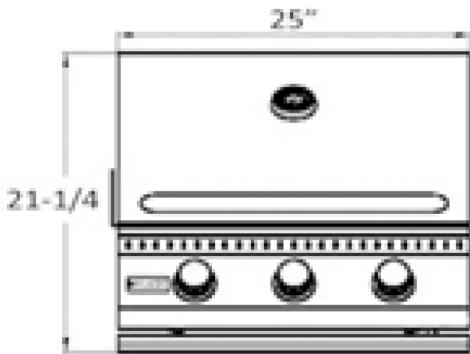


SPECIFICATIONS

NOTE: ALWAYS have equipment measured by Contractor before beginning any project.

*These dimensions create the required air gap underneath this appliance. This air gap serves multiple purposes, such as preventing a build-up of heat in the island cavity and helping provide proper airflow for combustion and/or cabinetry.

BLZ-3LBM



BLZ-4LBM

