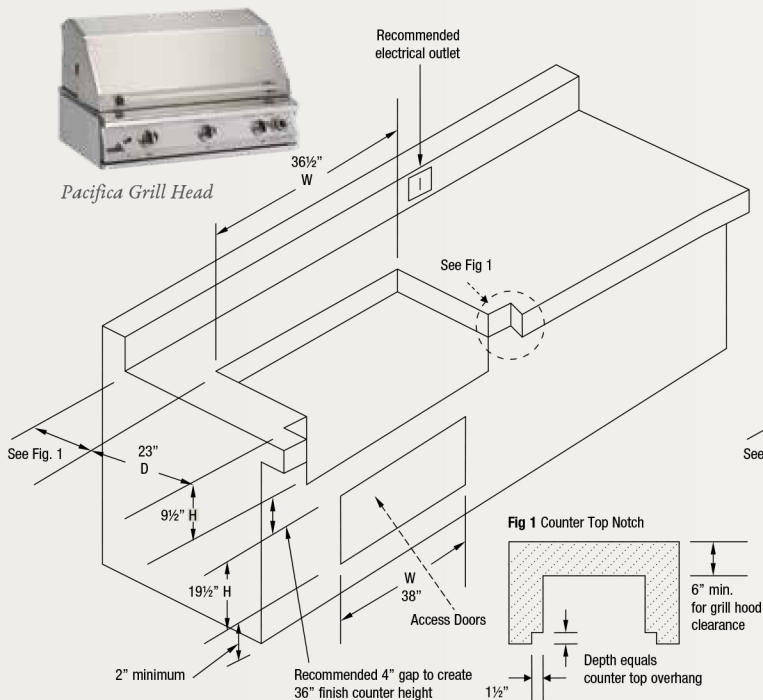


# CUTOUT DIMENSIONS (for non-combustible enclosures only)

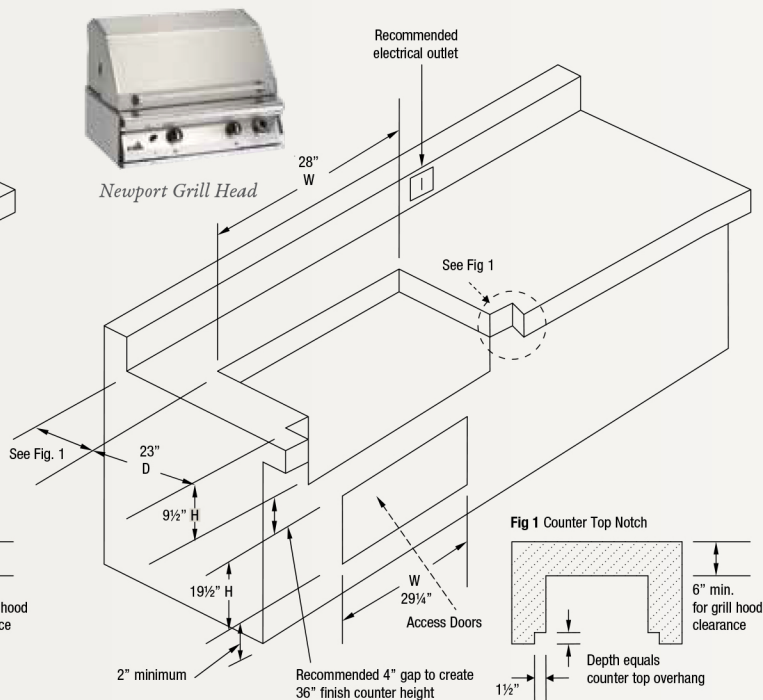
## S36T

<b>S36T Pacifica Grill Head</b>	36½" width	23" depth	9½" height
<b>MDS L39 Door Kit</b>	38" width		19⅜" height



## S27T

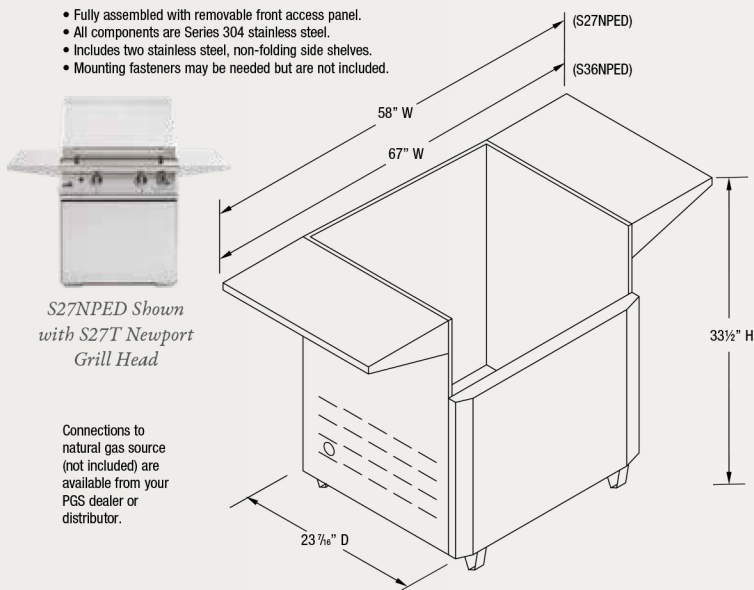
<b>S27T Newport Grill Head</b>	28" width	23" depth	9½" height
<b>MDS L30 Door Kit</b>	29¼" width		19⅜" height



## S27NPED

<b>S27NPED Pedestal Mount</b>	58" width	23⅞" depth	33½" height
<b>S36NPED Pedestal Mount</b>	68" width	23⅞" depth	33½" height

- Fully assembled with removable front access panel.
- All components are Series 304 stainless steel.
- Includes two stainless steel, non-folding side shelves.
- Mounting fasteners may be needed but are not included.



## Other PGS Grill Masonry Accessories

### LBC Beverage Center

28" width	23" depth	9½" height
-----------	-----------	------------

### Side Burner & SCM Small Beverage Center

12½" width	18½" depth	9" height
------------	------------	-----------

### MDS L30 Pro Series 30" SS Dual Doors

29 1/4" width	19 3/8" height
---------------	----------------

### MDS L39 Pro Series 39" SS Dual Doors

38" width	19⅜" height
-----------	-------------

### M2DS Twin SS Pull-Out Utility Drawers

14" width	20" height
-----------	------------

**NOTE: Island must be vented to comply with all building and ANSI codes. Grill head must be installed in a non combustible masonry or metal enclosure**

*Dimensions and specifications are subject to change without notice. Please call our customer service department for the latest updates.*