



FIRE PIT ART®
A gathering place for family & friends

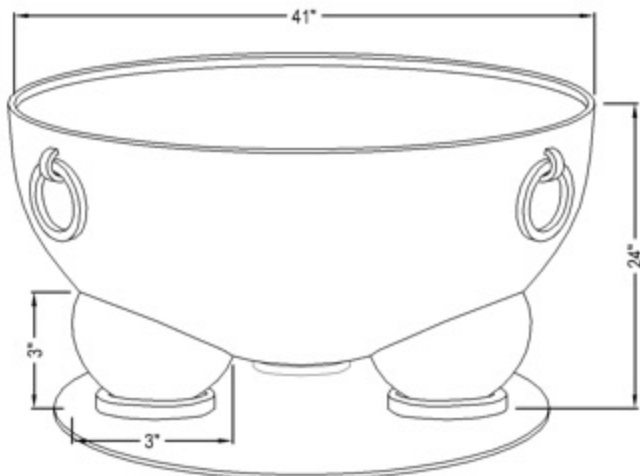
FIRE PIT ART
1746 SPARTA PIKE
LEBANON, TN 37090
PHONE: (615) 707-1912
www.firepitart.com

SELECT DESIRED FUEL TYPE:

- WOOD BURNING
- NATURAL GAS - MATCH LIT
- LIQUID PROPANE - MATCH LIT
- NATURAL GAS - AWEIS
- LIQUID PROPANE - AWEIS

SELECT DESIRED BASE PLATE:

- CIRCLE BASE PLATE (SHOWN)
- TRIPLET BASE PLATE
- NO BASE PLATE



PERSPECTIVE

SPECIFICATIONS

BURNER: 180K BTU BRASS BURNER

PAN SIZE: 39" DIAMETER

LAVA ROCK LBS.: 105

DIMENSIONS: 24" H X 41" W X 41" D

BASE DIMENSIONS: 3" H X 3" W X 3" D

WEIGHT: 210 LBS

MATERIALS: 1/4" THICK MILD CARBON STEEL

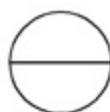
FINISH: IRON OXIDE

MANUFACTURER NOTES:

1. VENT THE BASE, CUT THE BOTTOM OUT OF THE HEMISPHERE, BUILD A PLATE TO DROP IN THE HOLE TO ATTACH THE GAS COMPONENTS AND THEN ADD THE LAVA ROCK. THOSE CHANGES ARE MADE BY FIRE PIT ART® AND A WOOD BURNING PIECE IS NOT TO BE MODIFIED FOR GAS BY THE CONSUMER.

NOTES:

1. INSTALLATION TO BE COMPLETED IN ACCORDANCE WITH MANUFACTURER'S SPECIFICATIONS.
2. DO NOT SCALE DRAWING.
3. THIS DRAWING IS INTENDED FOR USE BY ARCHITECTS, ENGINEERS, CONTRACTORS, CONSULTANTS AND DESIGN PROFESSIONALS FOR PLANNING PURPOSES ONLY. THIS DRAWING MAY NOT BE USED FOR CONSTRUCTION.
4. ALL INFORMATION CONTAINED HEREIN WAS CURRENT AT THE TIME OF DEVELOPMENT BUT MUST BE REVIEWED AND APPROVED BY THE PRODUCT MANUFACTURER TO BE CONSIDERED ACCURATE.
5. CONTRACTOR'S NOTE: FOR PRODUCT AND COMPANY INFORMATION VISIT www.CADdetails.com/info AND ENTER REFERENCE NUMBER 5297-021



FIRE PIT ART

NEPAL