

NDUSTRIA™ Indoor/Outdoor Electric Infrared Heaters



Extend your patio season and
keep patrons warm and comfortable

NDUSTRIA™
ELEVATED INDUSTRIAL COMFORT

INDUSTRIA™

ELEVATED INDUSTRIAL COMFORT

Electric High Intensity Infrared Heaters

NEL-Series

Our electric infrared heaters offer high performance radiant heating for outdoor and indoor spaces alike.

- IP65 rating provides elevated protection against water and dust for long-lasting performance in all weather conditions.
- Durable quartz emitter generates instant, directional, infrared heat while emitting a soft, radiant glow.



1500W / 3000W / 6000W
Black



1500W / 3000W / 6000W
Gray

Specifications

Reference the specification guide below to select the correct solution for your needs.

Model Number	NEL-15	NEL-30	NEL-60
Heating Power (Watts)	1500	3000	6000
Fuel Type	Electric		
Color/Construction	Anodized Aluminum Available In Either Black or Gray		
Heat Area	48 ft ²	110 ft ²	180 ft ²
Electrical Supply	120 VAC / 12.5 Amps	208 VAC / 10.8 Amps 240 VAC / 12.5 Amps	208 VAC / 21.8 Amps 240 VAC / 25.0 Amps
Heating Element	Quartz, low-glare		
Certification	UL STD. 2021 / CSA STD. C22.2 NO.46 / ETL Intertek 4001320		
Rating	IP65 weather-resistant design for indoor/outdoor commercial use or outdoor residential use.		
Minimum Mounting Height	79" Above Finished Floor		

Mounting Options

(Mounting Brackets Included)

Model Number	NEL-15	NEL-30	NEL-60
Ceiling Mounted	X	X	X
Wall Mount	X	X	X

Control Options

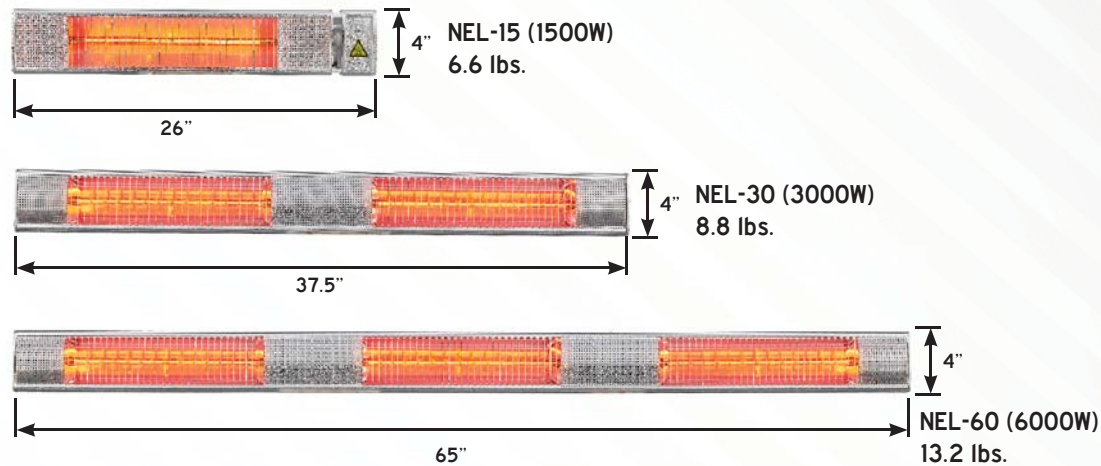
Model Number	NEL-15	NEL-30	NEL-60
*On/Off Switch	X	X	X
**Remote Control	X	-	-

*Switch located on end of heater.

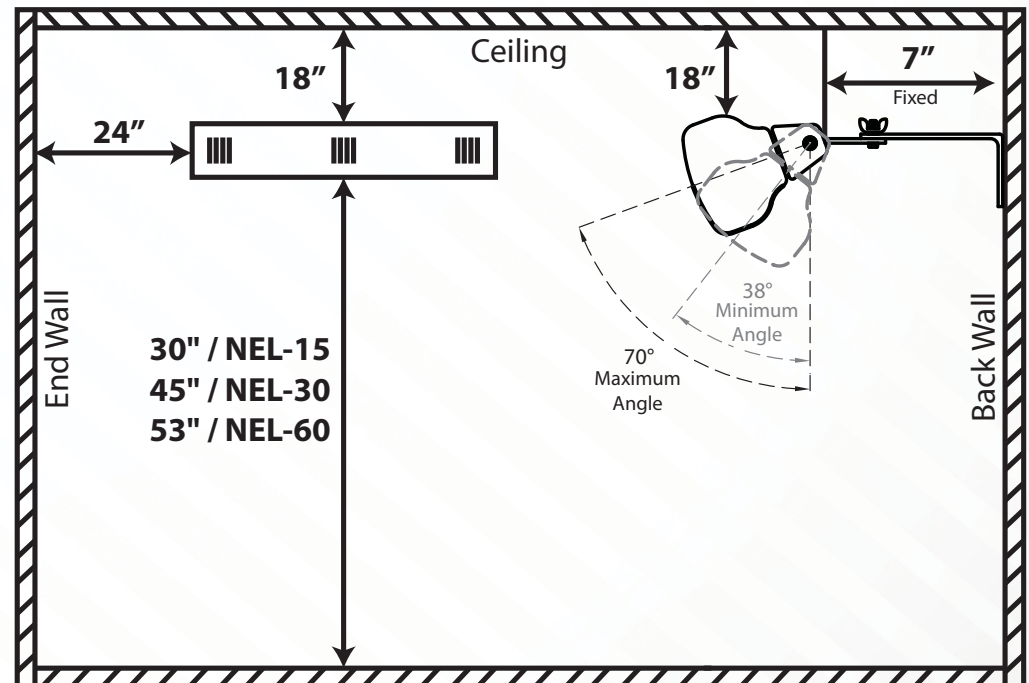
**NEL-15 available with or without remote control. Remote control not available for other models.

Available in three sizes, find the ideal heater to suit your outdoor/indoor space.

Dimensions / Weights



Clearances to Combustibles

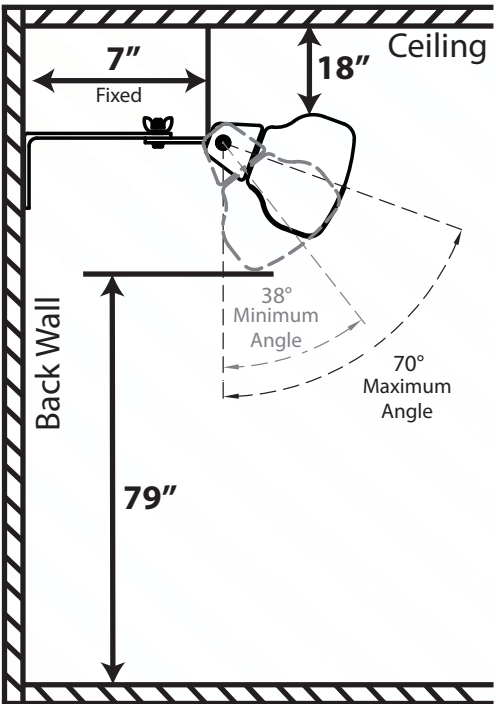


Note: To prevent contact with heater, it is highly recommended that the minimum distance between bottom edge of heater and floor be 79".

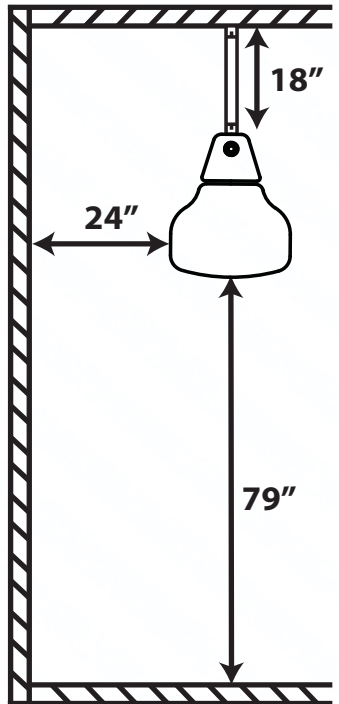
Mount Options

With a wide array of mounting configurations, NDUSTRIA™ electric heaters complement every décor and provide functionality, ambiance and comfort.

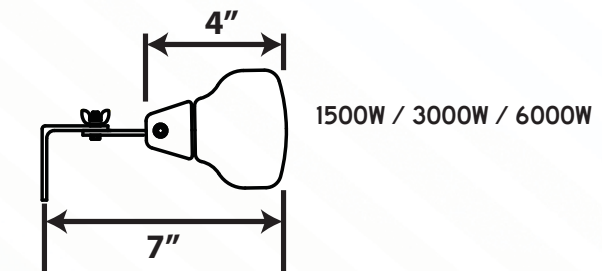
Wall Mount



Ceiling Mount

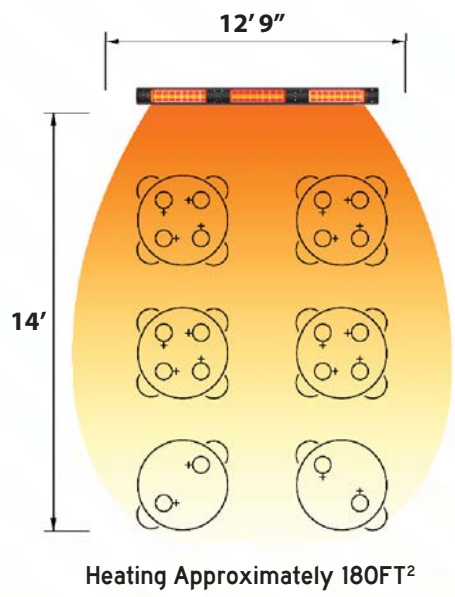
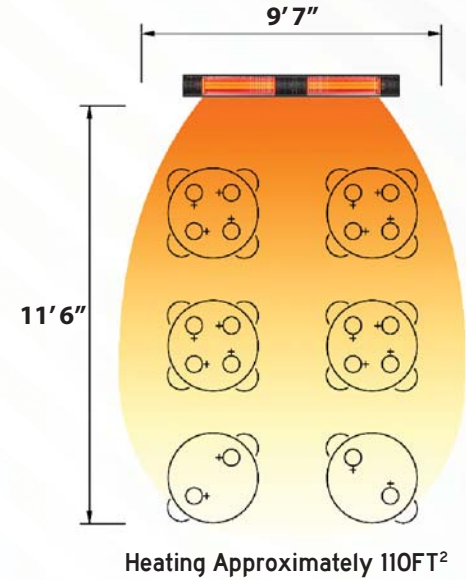
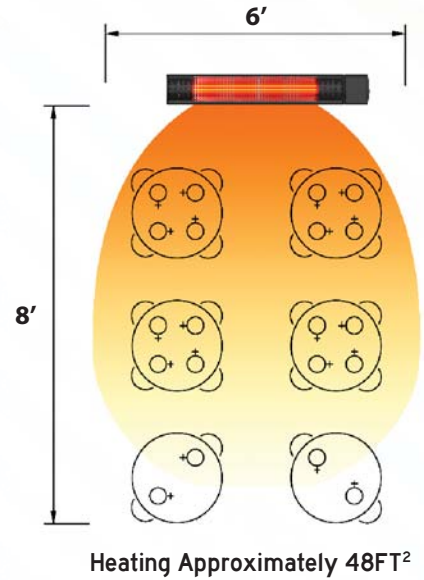


Mounting Bracket



Heating Reach

Direct NDUSTRIA™ heaters where needed to create customized comfort zones.



Remote Control

