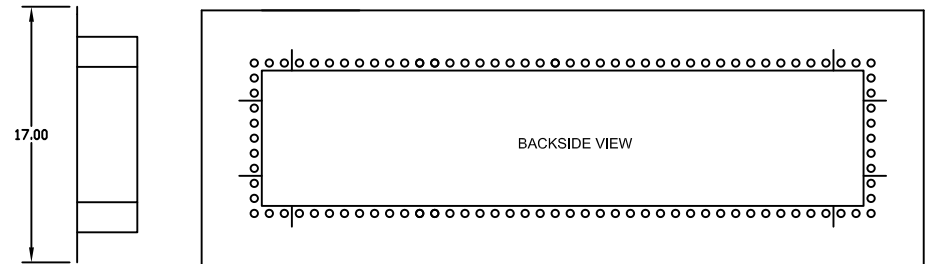
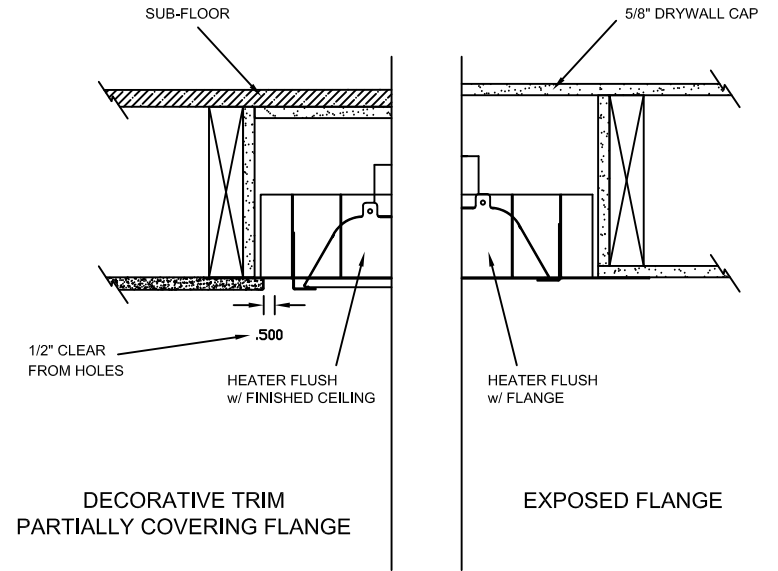


INSTALLATION TYPES



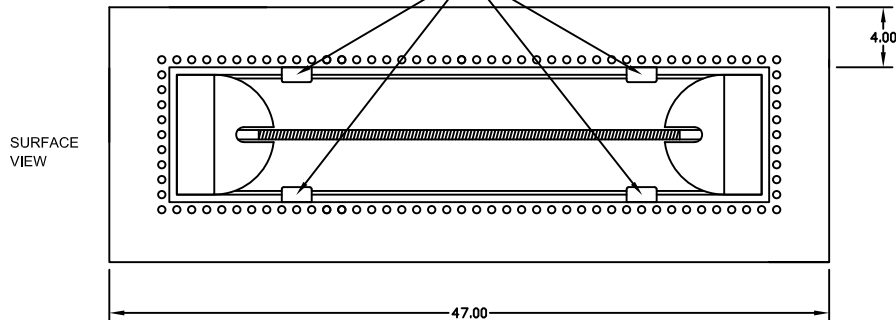
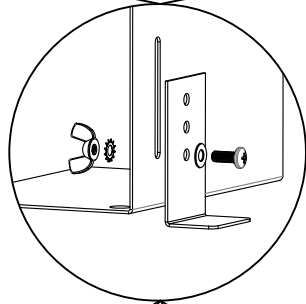
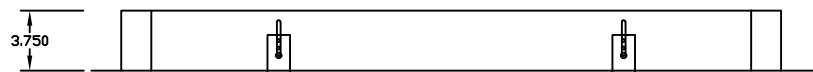
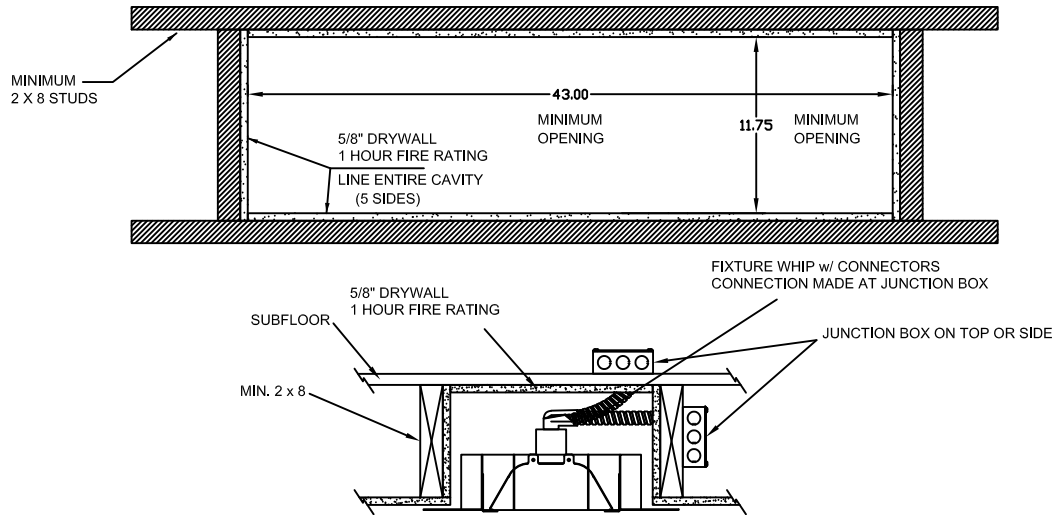
WARNINGS:

- This frame is **ONLY** to be used on a flat non-sloped ceiling.
- Heater must face straight down.
- Frame and Heater cannot be installed on a pitched angle.

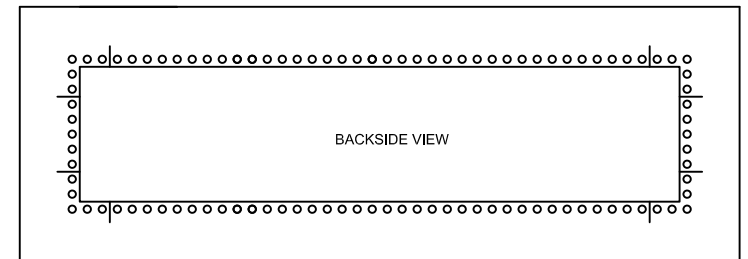
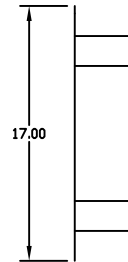
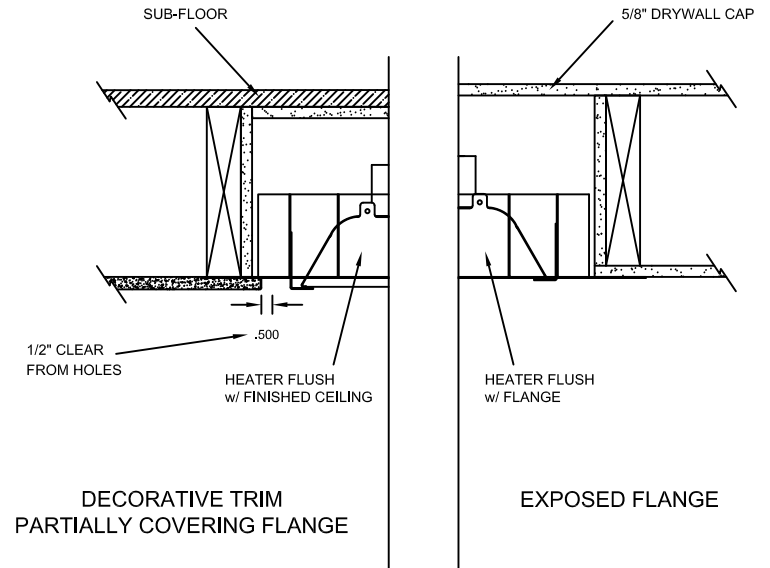
NOTES:

- Heater suspends (Gravity) by resting on adjustable tabs in flush mount fixture.
- Mounting holes on Surface Flange to be determined and drilled by Contractor/Installer.
- Supplied with Hi-Temp Fixture Whip and Hi-Temp Ceramic Wire Nuts.
- **Note:** Please contact factory for longer length whips available for purchase.
- Coil excess flex into heater cavity.
- Use Licensed Electrician **ONLY**

INFRA TECH™ www.infratech-usa.com		15700 S. Figueroa St. Gardena, California 90248 Phone: (310) 354-1250 Fax: (310) 523-3674
ITEM #:	X-18-2295	MATERIAL: 304 S.S. #4 FINISH
DESCRIPTION: W-33 FLUSH MOUNT PLASTER FRAME (FOR USE WITH 33" HEATERS)		
NOTES: SUPPLIED w/ ELECTRICAL FIXTURE WHIP		
DATE:	SCALE:	DRAWN BY:
Aug. 15, 2017	N/A	MD



INSTALLATION TYPES



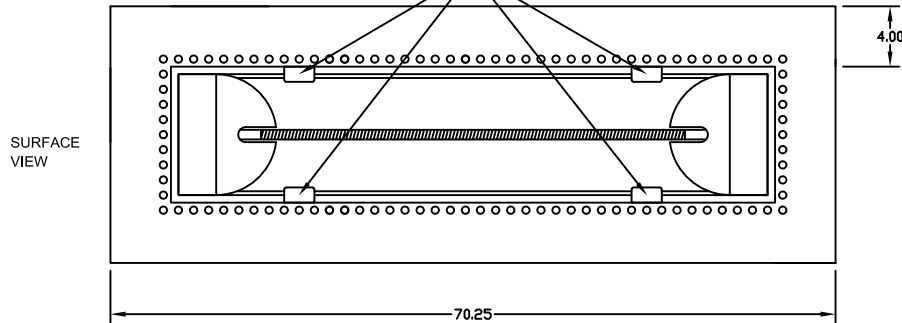
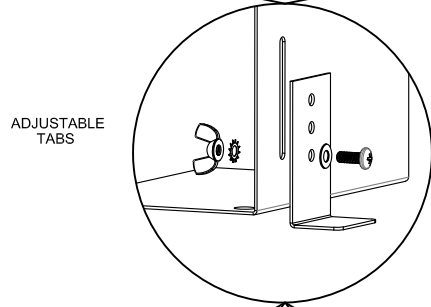
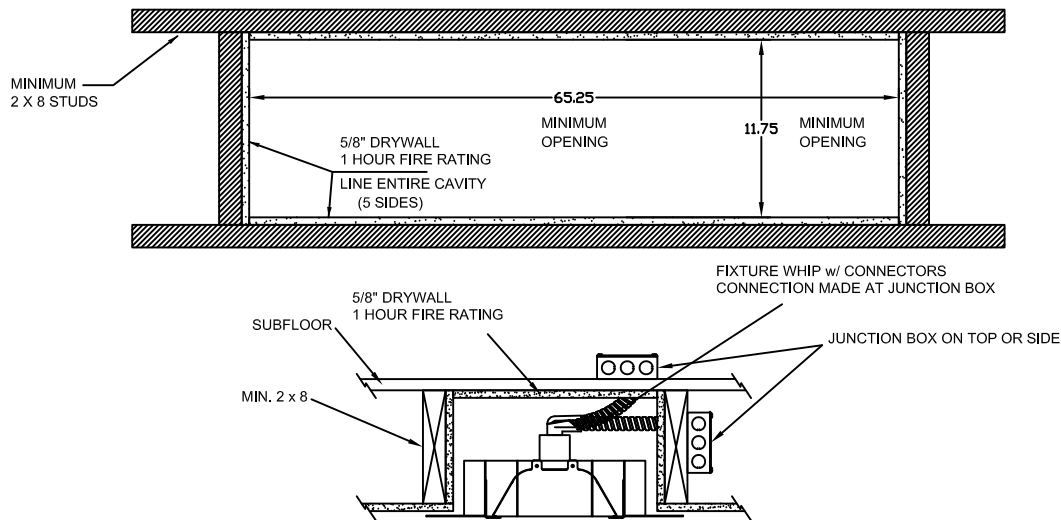
WARNINGS:

- This frame is **ONLY** to be used on a flat non-sloped ceiling.
- Heater must face straight down.
- Frame and Heater cannot be installed on a pitched angle.

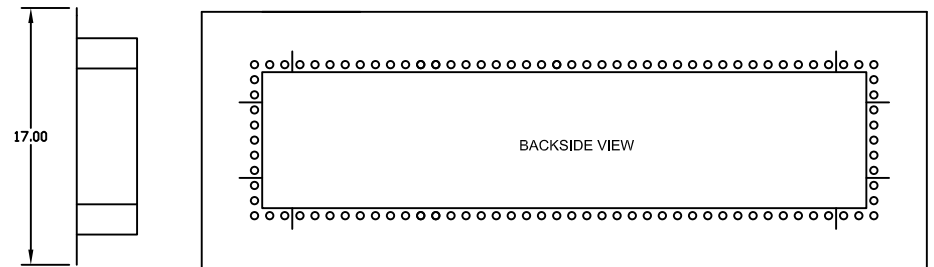
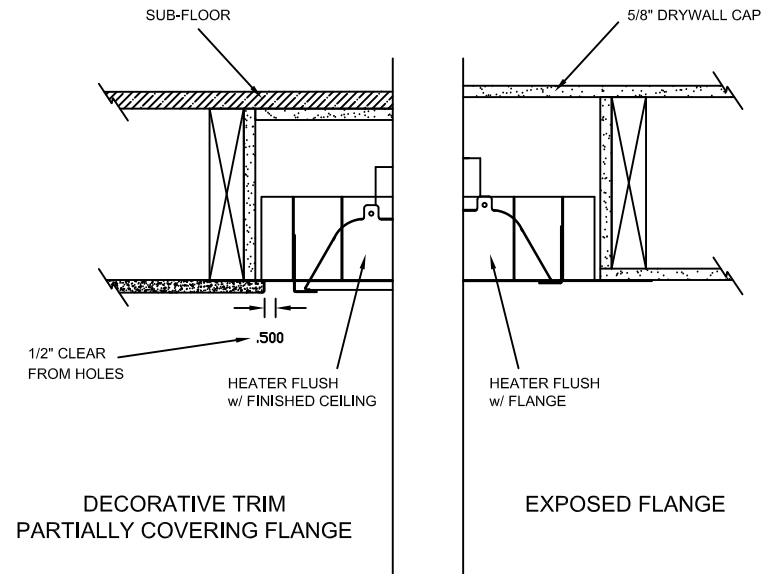
NOTES:

- Heater suspends (Gravity) by resting on adjustable tabs in flush mount fixture.
- Mounting holes on Surface Flange to be determined and drilled by Contractor/Installer.
- Supplied with Hi-Temp Fixture Whip and Hi-Temp Ceramic Wire Nuts.
- **Note:** Please contact factory for longer length whips available for purchase.
- Coil excess flex into heater cavity.
- **Use Licensed Electrician ONLY**

INFRA TECH™ www.infratech-usa.com		15700 S. Figueroa St. Gardena, California 90248 Phone: (310) 354-1250 Fax: (310) 523-3674
ITEM #:	X-18-2300	MATERIAL: 304 S.S. #4 FINISH
DESCRIPTION: W-39 FLUSH MOUNT PLASTER FRAME (FOR USE WITH 39" HEATERS)		
NOTES: SUPPLIED w/ ELECTRICAL FIXTURE WHIP		
DATE:	SCALE:	DRAWN BY:
Aug.15, 2017	N/A	MD



INSTALLATION TYPES



WARNINGS:

- This frame is **ONLY** to be used on a flat non-sloped ceiling.
- Heater must face straight down.
- Frame and Heater cannot be installed on a pitched angle.

NOTES:

- Heater suspends (Gravity) by resting on adjustable tabs in flush mount fixture.
- Mounting holes on Surface Flange to be determined and drilled by Contractor/Installer.
- Supplied with Hi-Temp Fixture Whip and Hi-Temp Ceramic Wire Nuts.
- **Note:** Please contact factory for longer length whips available for purchase.
- Coil excess flex into heater cavity.
- Use Licensed Electrician **ONLY**

INFRA TECH™ www.infratech-usa.com		15700 S. Figueroa St. Gardena, California 90248 Phone: (310) 354-1250 Fax: (310) 523-3674
ITEM #:	X-18-2305	MATERIAL: 304 S.S. #4 FINISH
DESCRIPTION: W-61 FLUSH MOUNT PLASTER FRAME (FOR USE WITH 6 1/4" HEATERS)		
NOTES: SUPPLIED w/ ELECTRICAL FIXTURE WHIP		
DATE:	SCALE:	DRAWN BY:
Aug.15, 2017	N/A	MD