

HALO 36 **NG & LP**
MATCH LIT

Fire is beautiful and also dangerous if not handled properly. Please have a qualified gas fitter setup and install this product according to local codes.

This product has been tested and certified by Labtest Certification Inc. as being safe, as long as these **minimum clearances** to adjacent materials are maintained.

FOR OUTDOOR USE ONLY

NORTH AMERICA SPECIFICATIONS

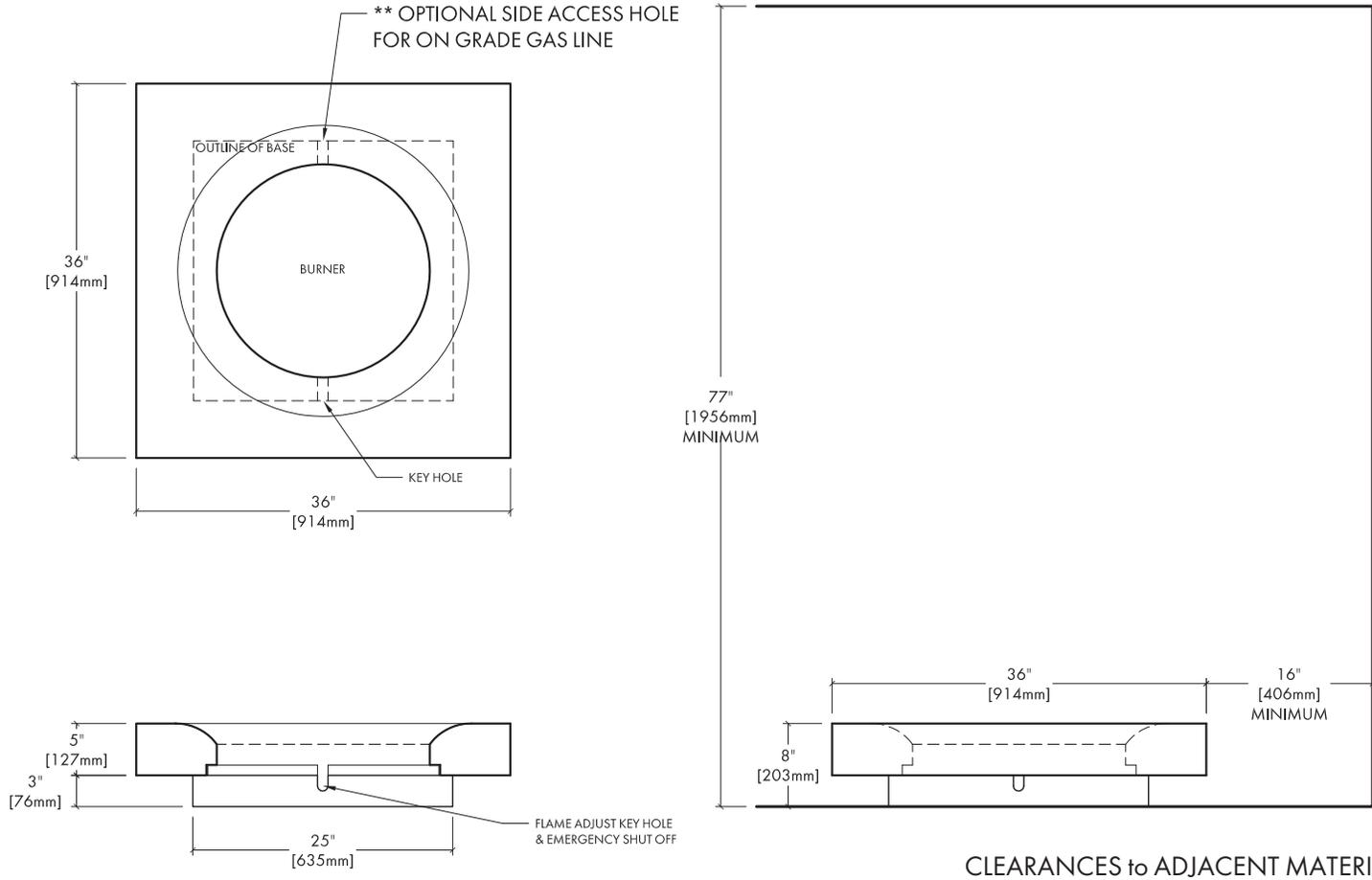
Gas type:	<u>Natural Gas</u>	<u>Propane</u>
Inlet press:	7.0" w.c.	11" w.c
Manifold press:	3.5" w.c.	10.8" w.c.
Heat Output:	60,000 BTU	60,000 BTU

ANSI Z21.97-2014
CSA 2.17-2017



CONCRETE SPECS

Strength:	10,000 psi (proprietary)
Weight:	Top - 244lbs / 111 kg
	Base - 76 lbs / 35 kg



CLEARANCES to ADJACENT MATERIALS

ACCESSORIES

- 1/ All Weather Fabric Cover /extends warranty.
- 2/ Clear Anodized Aluminum top / 1/4" plate with 5/8" supports / extends warranty.
- 3/ Glass Windscreen

JOB / ORDER
Name or Number:

Signature & Date:

HALO 48 LOW MATCH LIT **NG & LP**

Fire is beautiful and also dangerous if not handled properly. Please have a qualified gas fitter setup and install this product according to local codes.

This product has been tested and certified by Labtest Certification Inc. as being safe, as long as these **minimum clearances** to adjacent materials are maintained.

FOR OUTDOOR USE ONLY

NORTH AMERICA SPECIFICATIONS

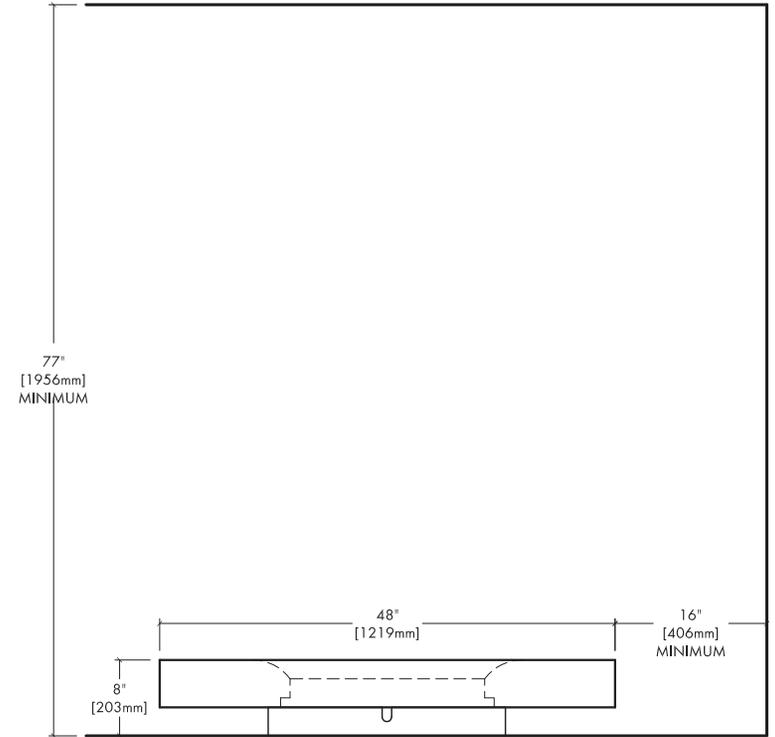
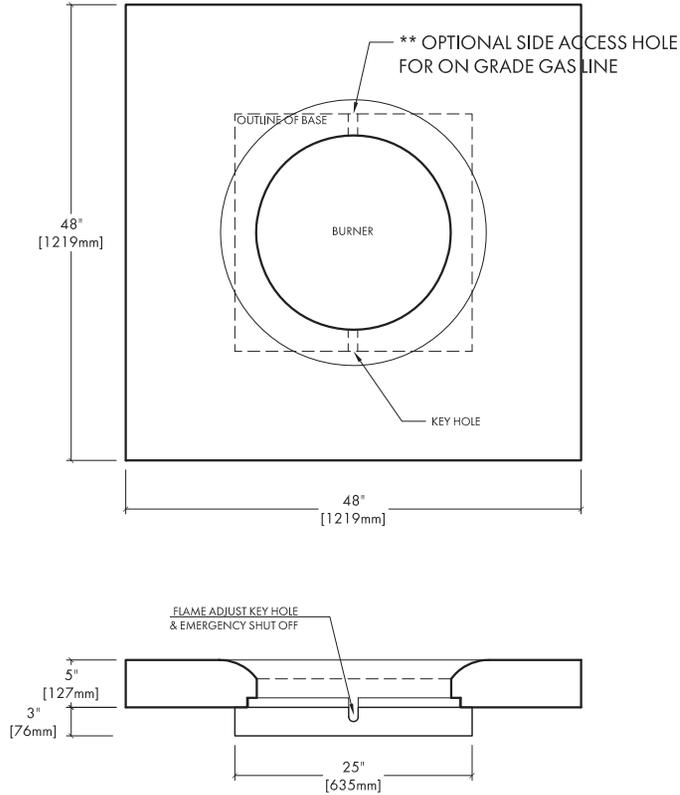
Gas type:	<u>Natural Gas</u>	<u>Propane</u>
Inlet press:	7.0" w.c.	11" w.c.
Manifold press:	5.8" w.c.	10.5" w.c.
Heat Output:	60,000 BTU	60,000 BTU

ANSI Z21.97-2014
CSA 2.17-2017



CONCRETE SPECS

Strength:	10,000 psi (proprietary)
Weight:	Top - 526 lbs / 239 kg Base - 77 lbs / 35 kg



CLEARANCES to ADJACENT MATERIALS

ACCESSORIES

- 1/ All Weather Fabric Cover /extends warranty.
- 2/ Hardwood Table Top / Sustainable harvest unfinished red Batu wood.
- 3/ Clear Anodized Aluminum top / 1/4" plate with 5/8" supports / extends warranty.

JOB / ORDER
Name or Number:

Signature & Date: