

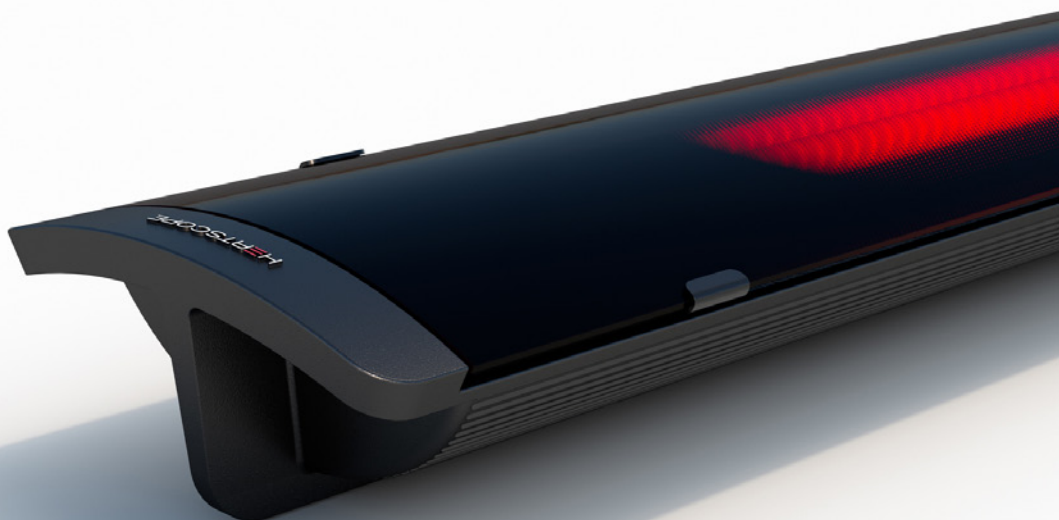
# HEATSCOPE®

ambient heating | made in Germany

## ORIGINAL INSTALLATION AND INSTRUCTION MANUAL

Electric ambient carbon radiant heater for  
indoor and outdoor areas

US



■ developed  
■ designed  
■ made in  
■ Germany



reddot design award  
winner 2018

## SAFETY INFORMATION

**HEATSCOPE® infrared heaters must be installed and executed only by an authorized expert / trained professional electrician in accordance with the applicable standards and regulations for electrical wiring in electrical trade in the respective country / region of installation.**

Have a qualified electrician install a properly grounded receptacle outlet, acceptable for outdoor use and protected from snow and rain, immediately adjacent to the location where the heater will be used. Route the supply cord and locate the heater so as to be protected from damage by live stock. Do not use extension cords. Inspect cord before using. Unplug heater at receptacle outlet when not in use or before removing, and store heater indoors after winter season.

All relevant local building and fire safety regulations must be observed at any time and under any circumstances.

**WARNING:** This unit is not equipped with an application to regulate the room temperature. The heater must not be used in small rooms inhabited by people who cannot leave the room unaided, unless constant supervision is ensured.

Be careful when operating the unit. Children younger than 3 years must be kept away, unless they are overseen all the time. Children older than 3 years and younger than 8 years are allowed to switch on and off the unit, if they are overseen, or if they were instructed how to use the unit safely and have received instructions how to operate/use the unit, assumed the unit is installed properly.

**CAUTION:** Some parts of the unit get very hot and may cause burns! High cautiousness is imperative, if children or persons with reduced physical, sensory or mental abilities or lack of experience and/or knowledge. are present in the room.

Children older than 3 years and younger than 8 years are not allowed to connect the plug, to control the unit, to clean the unit and/or to maintain the unit.

Children older than 8 years and persons with reduced physical, sensory or mental abilities or lack of experience and/or knowledge can use this unit, if they are overseen, or if they were instructed how to use the unit safely and have received instructions how to operate/use the unit and which endangerments may result during the use of the unit. Children must not be playing with the unit. Cleaning and maintenance must not be done by children, unless they are supervised by a person responsible for their safety.

The unit must never be used unattended. Children must be supervised at all times to ensure that they do not play with the unit, switch it on unintentionally or adjust it.

**CAUTION!** The device is not intended for use by persons (including children) with reduced physical, sensory or mental capacity – it has to be kept out of reach from these persons especially from children.

It is **NOT ALLOWED** to use the heater in hazardous locations listed below; installation in non-hazardous locations only:

- **Class I, Div. 1 classified locations** (areas where ignitable concentrations of flammable gases, vapors or liquids can exist all of the time or some of the time under normal operating conditions);
- **Zone 0 classified locations** (areas where ignitable concentrations of flammable gases, vapors or liquids are present continuously or for long periods of time under normal operating conditions);
- **Zone 1 classified location** (areas where ignitable concentrations of flammable gases, vapors or liquids are likely to exist under normal operating conditions);
- **Class I, Division 2 or Zone 2 classified locations** (areas where ignitable concentrations of flammable gases, vapors or liquids are not likely to exist under normal operating conditions);
- **Class II, Div. 1 classified locations** (areas where ignitable concentrations of combustible dust can exist all of the time or some of the time under normal operating conditions);
- **Class II, Div. 2 classified locations** (areas where ignitable concentrations of combustible dust are not likely to exist under normal operating conditions);
- **Class III, Div. 1 classified locations** (areas where easily ignitable fibers or materials producing combustible flyings are handled, manufactured or used.
- **Class III, Div. 2 classified locations** (areas where easily ignitable fibers are stored or handled);
- **Zone 20 classified locations** (areas where ignitable concentrations of combustible dust or ignitable fibers/flyings are present continuously or for long periods of time under normal operating conditions);
- **Zone 21 classified location** (area where ignitable concentrations of combustible dust or ignitable fibers/flyings are likely to exist under normal operating conditions);
- **Zone 22 classified locations** (areas where ignitable concentrations of combustible dust or ignitable fibers/flyings are not likely to exist under normal operating conditions).

1. Please check that your HEATSCOPE<sup>®</sup> radiant heater and accessories are complete and not damaged. If the housing or reflector is deformed/damaged or the heating element is broken, do not use the HEATSCOPE<sup>®</sup> unit. Please contact the vendor or the manufacturer.

The cable must not be crushed, squeezed or damaged. If the unit or accessories show signs of defects, cracking, breakage or other damage or if the industrial glass ceramics screen is damaged, discontinue use and have them repaired. In this case, disconnect the unit from the power supply, return it to the manufacturer or dispose of it. The unit should be labelled accordingly to prevent it being reconnected.

02. For installation use only the supplied accessories or original accessories approved by the manufacturer. The power cable or other components of the HEATSCOPE<sup>®</sup> radiant heater may only be

replaced by a professional servicing company enlisted by the manufacturer.

The supply cable must be connected generally in a commercially available wet room distribution box with IP65 protection class acc. to IEC or UL / CSA (not within the scope of supply).

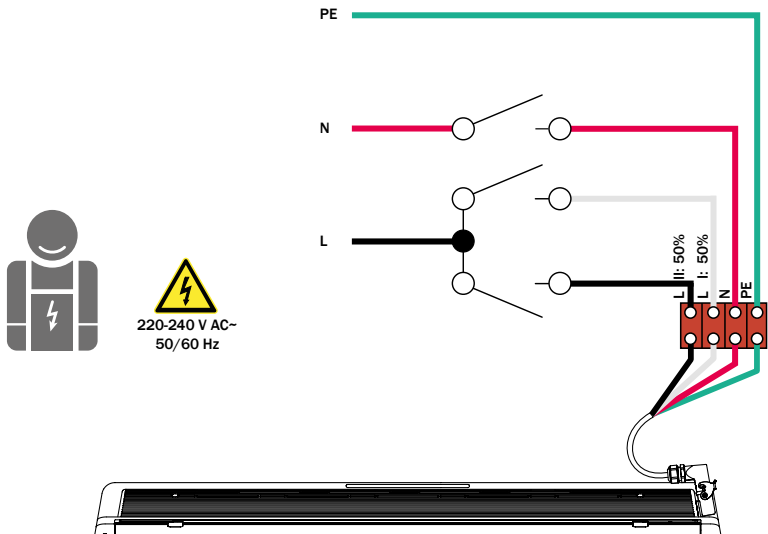
3. The HEATSCOPE<sup>®</sup> is protected against splashing water and has an IP65 protection class rating.
4. As soon as the unit is connected to a power source and switched on using an „ON/OFF“ switch or other operating component, it takes a maximum of 15-30 seconds until it reaches its operating temperature.
5. CAUTION: Risk of burns! The front screen (approx. 572 °F) and protective fin front (approx. 752 °F) gets very hot when the unit is operating. Do not cover either part of the front or the entire front of the radiant heater. Do not touch any part of the HEATSCOPE<sup>®</sup> during operation and up to 30 minutes after switching it off.
6. For your own safety, never dry textiles or other materials using the HEATSCOPE<sup>®</sup>. Covering the radiant heater may result in a fire! Always maintain a distance from the heating surface of the HEATSCOPE<sup>®</sup> of at least 59 inch from textiles, cloth and other easy inflammable soft materials.
7. Ensure that cables, furniture, flammable materials or other objects do not come into contact with the surface of the radiant heater and never cover the unit. Under no circumstances should the unit be covered or enclosed with insulating or similar materials. Adequate ventilation surrounding the heater must be ensured at any time. Ledgers, beams and rafters must not be cut into or grooved to install the infrared heater.  
When installing the HEATSCOPE<sup>®</sup> radiant heater, ensure that the lower edge of the unit is at least 72 inch from the ground and the safety clearances from the wall and ceiling set out in this manual are maintained. Always maintain a distance from the heating surface of the HEATSCOPE<sup>®</sup> of at least 59 inch from textiles, cloth and other easy inflammable soft materials.
8. Disconnect the radiant heater from the power supply before cleaning it, adjusting the angle or removing it from the wall/ceiling. Wait until the heating elements are not glowing any more and the housing is noticeably cooled down. If buried cables are used, switch off the power using an omnipolar switch.
9. The HEATSCOPE<sup>®</sup> features an omnipolar „ON/OFF“ switch. The unit can be controlled manually using an selector switch on the unit itself. The unit must be connected to a residual current circuit breaker and a fuse on the installation side.
10. The unit must only be used with an approved isolating system, which must be built in the existing electrical installation acc. to the facility regulations. The heater comes as standard with a separate open-ended cable for connection purposes.
11. The power cable or buried cable with omnipolar switch may only be replaced by a professional specialist electrical company enlisted or approved by the manufacturer. Heating elements, other components or parts of the housing may only be replaced by a service organisation enlisted by the manufacturer. If you yourself or someone enlisted by you carries out repairs, they will not be covered by the guarantee. Improper repairs and incorrect installation or operation shall invalidate

te the guarantee immediately.

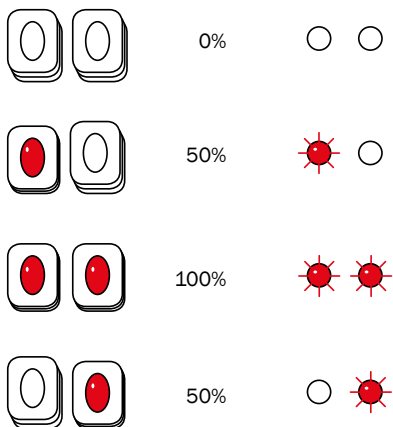
12. If the heater was installed inappropriately or was connected unhomogeneously with the local electrical supply cable, high transfer resistances may occur, which lead to overheating of the device. If overheating of a carbon heating element occur due to interlinkage of mounting and installation mistakes, the carbon filaments inside of the quartz tubes will fuse and safely disconnect the current flow. Even after a mechanical break of the quartz tubes, the carbon heating spirals will not work any longer. Besides the glass ceramic, high temperature resistant front screen of the heaters provide best protection of the installed carbon heating elements.  
If a system malfunction inside the device causes the shut down, the heater must be repaired by a professional technician; please contact your dealer immediately. If a wrong cable connection causes the shut down, this has to be checked and fixed through a professional electrician on the spot. Installation and connecting regulations with tested and approved luster terminals are part of the delivered equipment.
13. The radiant heater must not be installed directly below a power source/socket.  
The sides of the unit must be at least 20 cm from the nearest power source. Sockets/power sources must be freely accessible at all times and comply with the following specifications: 220–240 V AC ~, 50/60 Hz, 16 A with 16 A fuse. No other loads may be connected to this power source.
14. The radiant heater must not be installed in close vicinity to bathtubs, showers or pools nor in rooms where there is permanent high humidity. The distance to the bathtub or shower must be at least 40 inch and the distance to the pool at least 80 inch. A person standing in the bathtub, shower or pool should never reach the switch or controller of the heater. If the HEATSCOPE® is installed in such an environment with high humidity, the switches or other operating components must be positioned in such a way that they cannot be touched by persons who are in direct contact with water. When a radiant heater is installed in a bathroom, the CE standard requires that at least one heating element visibly „glows“ as soon as the unit is switched on.
15. The heater must not be installed nor operated in environments containing chlorine (like inside pool areas) or salt (like near the coast).
16. Disconnect the radiant heater from the power supply before cleaning it, adjusting the angle or removing it from the wall/ceiling. Wait until the heating elements are not glowing any more and the housing is noticeably cooled down.  
  
If buried cables are used, switch off the power using an omnipolar switch. Wait at least 30 minutes after the last use before you start cleaning it. All surfaces should be cleaned using a damp cloth only. Never use cleaning products containing alkaline substances such as sodium hydroxide or soap, surfactants or solvents such as alcohol. Use only a very soft cloth or a brush for the reflector and the heating elements.
17. Always remember to switch off the unit after use.

### ELECTRICAL CONNECTION

Circuit breaker / fuse switch on the installation side

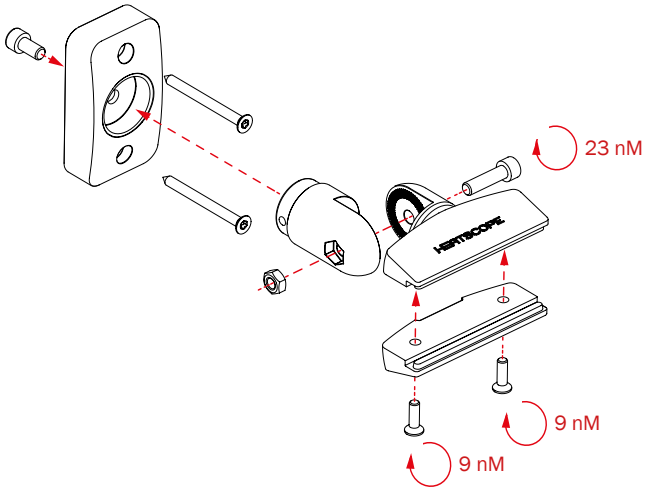


### MANUAL CONTROL

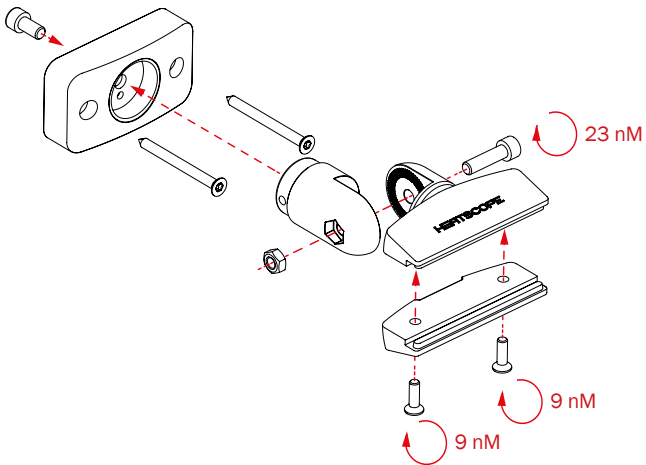


## MOUNTING

VERSION .01

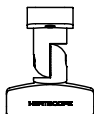


VERSION .02

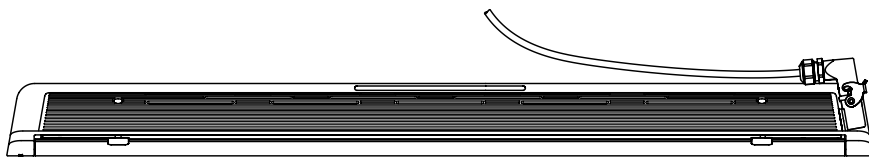


MOUNTING

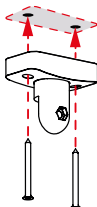
1X



1X

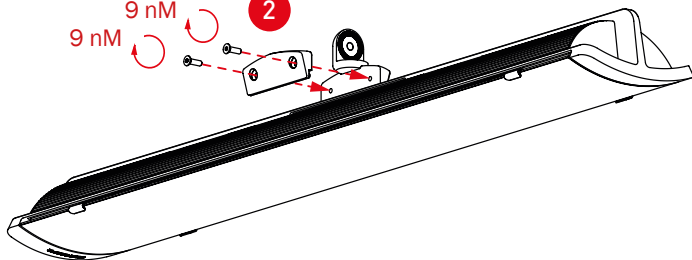


1

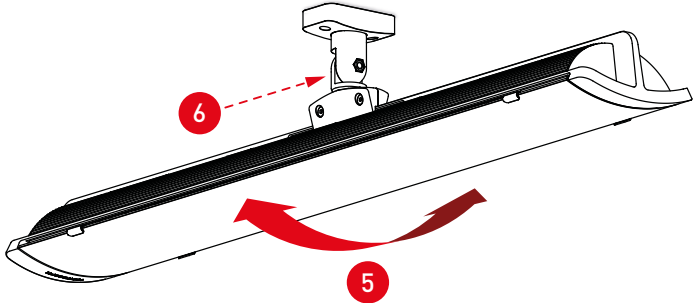
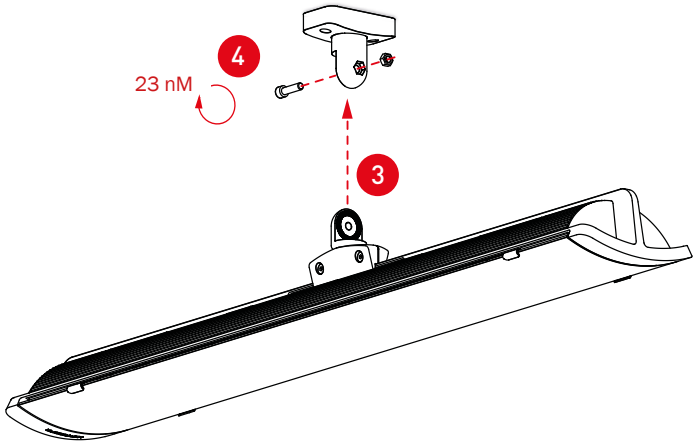


2

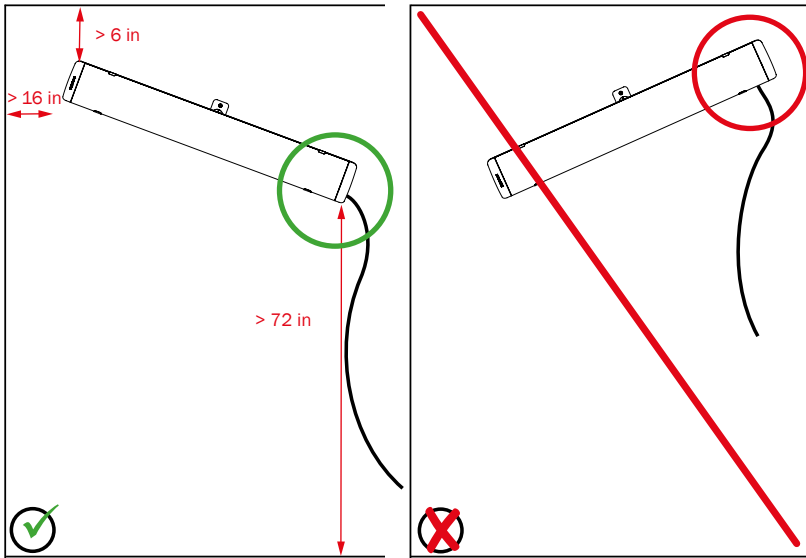
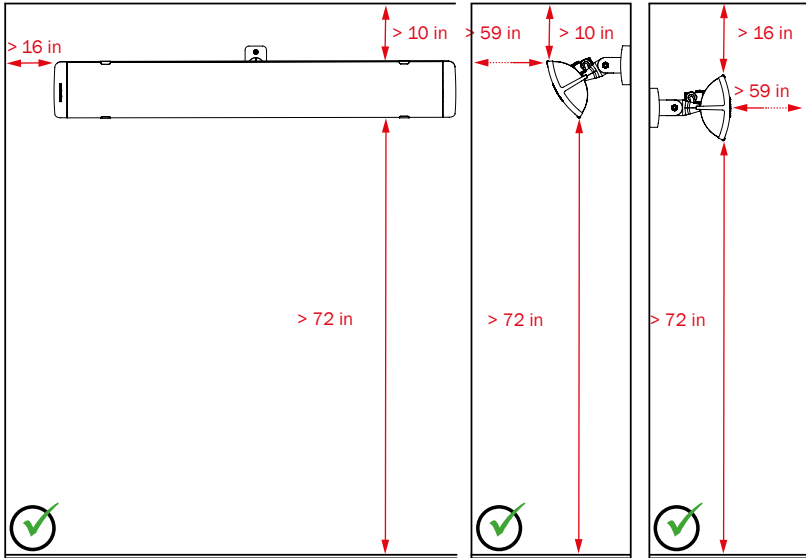
9 nM  
9 nM

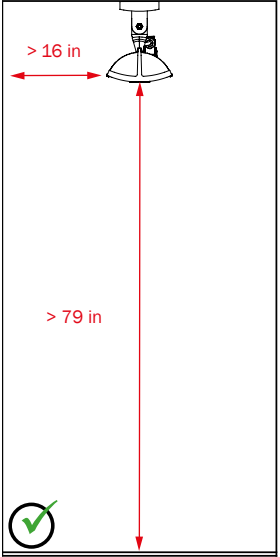
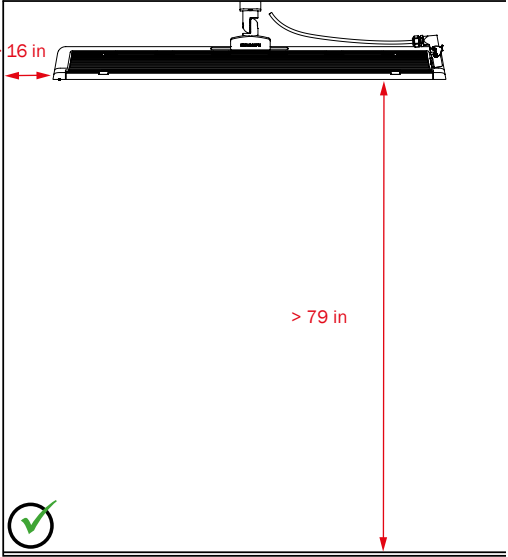
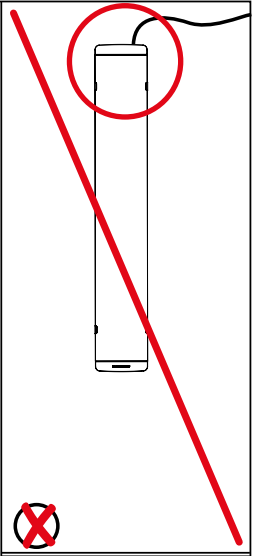
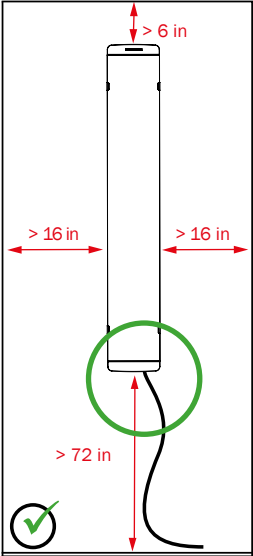
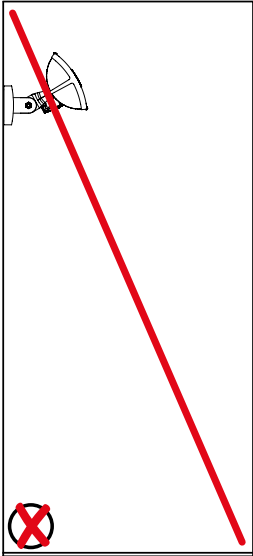




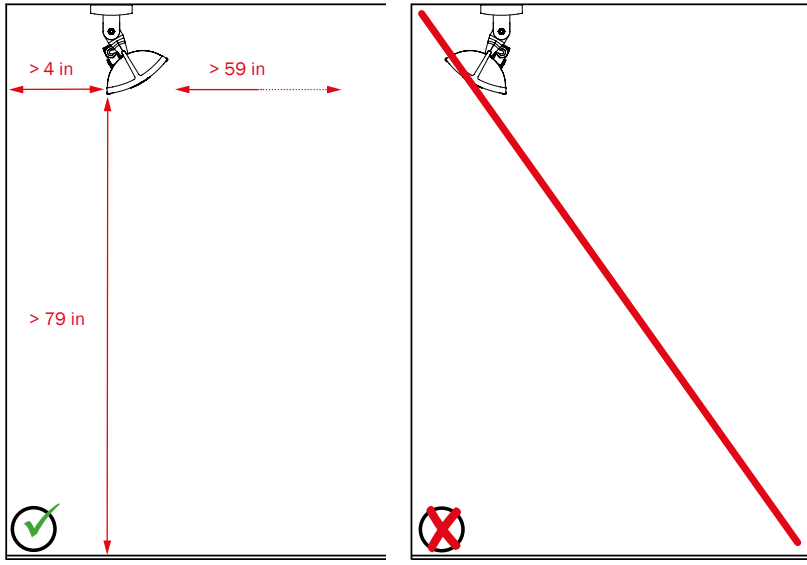
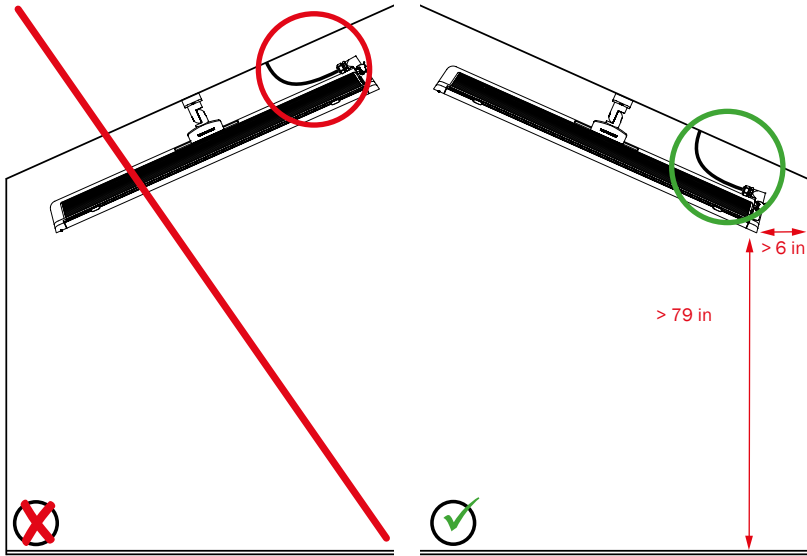


MINIMUM DISTANCES

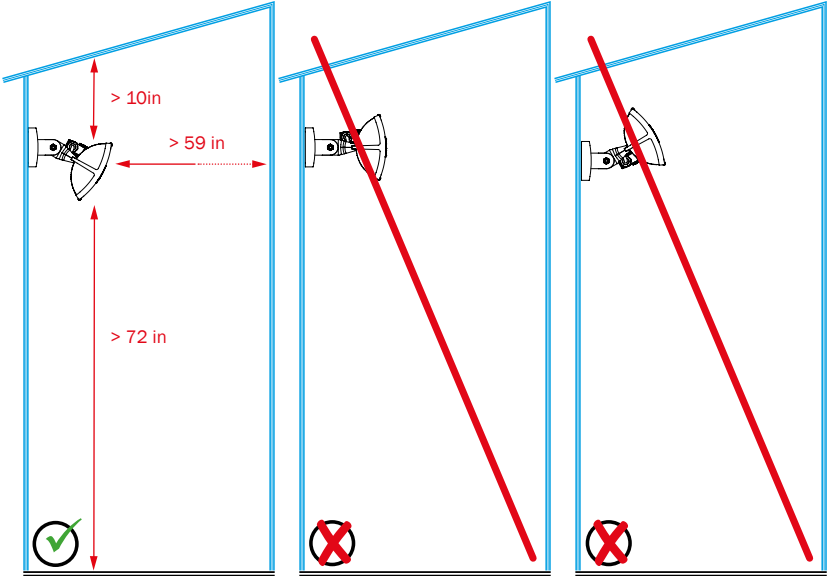
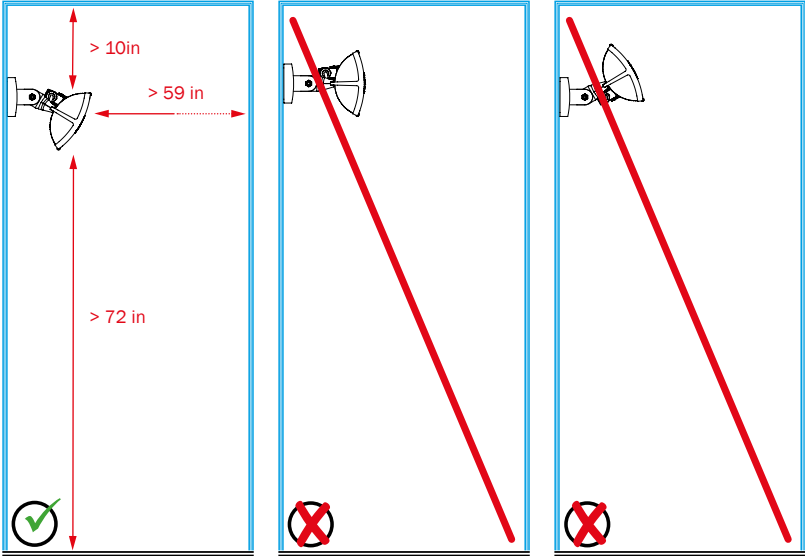




MINIMUM DISTANCES



MINIMUM DISTANCES [GLASS]



HEATSCOPE® infrared heaters are producing high energy efficient heat based on IR fast midwave up to efficient IR midwave technology.

Designed for private and commercial use for wall and ceiling mounting in indoor and outdoor areas, HEATSCOPE® carbon radiant heaters produce heat within seconds wherever it is needed. The infrared radiant heater allows you to transport heat over a distance of up to 120 inches, ideally in a specific direction.

Before installing the unit, please read this instruction manual carefully. Follow the information given to avoid endangering yourself, your family, your friends and your acquaintances. If you have any questions, contact the vendor or manufacturer.

US

Please keep this instruction manual in a safe place. Pass on the manual to any subsequent owner of the HEATSCOPE® unit and ensure that any supplements received are included along with it. This manual is also available online: [www.munich-home-systems.de](http://www.munich-home-systems.de) – end of front page ([www.munich-home-systems.de/HEATSCOPE-PURE-Manual.pdf](http://www.munich-home-systems.de/HEATSCOPE-PURE-Manual.pdf))

Prior to installation, ensure that the operating voltage matches the one specified on the rating plate of the HEATSCOPE® unit!

This instruction manual is intended solely for the standard products available. The technical data, installation requirements and dimensions of custom made, special versions may differ.

## UNPACKING THE UNIT / PACKAGING

Unpack the unit and the accessories carefully. When opening the packaging, do not use sharp objects that could damage the unit.

This product comes supplied in environmentally friendly packaging. All HEATSCOPE® packaging that comes into circulation either directly or via the trade is certified in accordance with §6 of the German Packaging Directive. As a result, all HEATSCOPE® packaging can be disposed of in an environmentally friendly manner in collection containers for packaging materials. All legal regulations must be observed here. Further information is available from the manufacturer.

Care information! Important! Clean the unit with a damp cloth before using it for the first time. Do not use cleaning products containing alkaline substances such as sodium hydroxide or soap, surfactants or solvents/alcohol.

## INSTALLATION INSTRUCTIONS

The different options for installing the HEATSCOPE® radiant heater are shown in the diagrams in the beginning of this manual. Ensure that the radiant heater is fixed securely to the installation surface. In terms of tensile and shear strength, the fixings must be able to withstand at least 3 times the weight of the radiant heater (including accessories) that is to be installed. When installing the unit, use the correct screws (supplied) for the surface.

Please bear in mind that you only need one fixing bracket to fix your unit safely. Please refer to the minimum installation dimensions for the unit (cf. „spacings“).

## **OPERATION, INSTALLATION INSTRUCTIONS AND MIN. DISTANCES**

Once you have installed the unit, you can use it for the first time.

The HEATSCOPE® features two omnipolar „ON/OFF“ switches. You can control the radiant heater manually using these selector switches on the unit itself.

The unit must be connected to a residual current circuit breaker and a fuse! Install the unit in any indoor or outdoor areas. The heater is IP65 protected from water jets and dust.

**CAUTION:** The mounting of the heater on the wall and on the ceiling as well as in glass houses and conservatories has professionally to be accomplished solely according to the mounting regulations. Specified safety distances given are min. values and may deviate from the local building and fire safety regulations. The safety distances as well as the local building and fire safety regulations must be complied with at all times, leave improper stated installation settings undone at any time. Deviant installation settings require the technical approval of the manufacturer. In the case of a deviant installation setting without approval of the manufacturer danger for people and environment may occur. Warranty and guarantee expires for all heaters, which are not installed according to this operation and installation manual!

Other protective spacings may need to be taken in accordance with local fire safety regulations, e.g. for installation on combustible surfaces.

All cables must be positioned so that they cannot come into contact with the surface of the radiant heater at any time. The radiant heater must not be installed directly below a power socket. The sides of the HEATSCOPE® must be at least 10 inch from any power sockets.

## **CARE, MAINTENANCE AND SERVICE**

Before cleaning and maintaining your HEATSCOPE®, disconnect it from the power supply or, if buried cables are used, switch it off via the omnipolar switches. Ensure that the unit has cooled down – wait at least 30 minutes after the last use before you start cleaning it.

All surfaces should be cleaned using a damp cloth only. Never use cleaning products containing alkaline substances such as sodium hydroxide or soap, surfactants or solvents such as alcohol. Use only a very soft cloth or a brush for the reflector and the heating elements.

## **REMOVAL FROM SERVICE / DISPOSAL**

When the unit reaches the end of its life, it must be removed from service by a specialist in accordance with the relevant regulations and steps must be taken to ensure that it cannot be put into use again.

The unit must be disposed of professionally and in an environmentally friendly manner. The relevant legal regulations must be observed.

## GUARANTEE AND WARRANTY

The HEATSCOPE® is guaranteed for 24 months. The warranty period begins with the date on which the new unit was purchased. Expendable parts or defects that affect the usability of the unit only slightly are not covered by the guarantee. When making a guarantee claim, you must provide the original invoice showing the date of purchase and the unit model.

US

## PROCESSING OF GUARANTEE CLAIMS

Please contact your dealer/distributor before returning the defective unit along with valid proof of purchase and a detailed description of the fault. Please note: Don't send in any devices to the manufacturer without any former contact with your distributor or dealer. He will inform you about all following steps. The manufacturer will only accept the unit, if it is returned with adequate transport packaging which protects it securely during transport.

The manufacturer will, at his own discretion, fulfil his warranty obligations by either repairing or exchanging the faulty unit or individual parts of the faulty unit. If a unit is replaced, the shape and colour of the new unit may vary slightly from the original one. The original date of purchase shall determine when the guarantee period begins. The guarantee period shall not be extended if the unit was replaced or repaired by the manufacturer.

## WARRANTY EXCLUSIONS

Damage or defects caused by improper handling or operation as well as defects caused by using non-original parts or the use of accessories not recommended by the manufacturer are not covered by the warranty.

The warranty does not cover damages caused by external influences such as fire, lightning or any transport damages. Liability for consequential damages to persons or property is excluded.

If the serial number of the unit has been changed, removed or defaced, the warranty will be invalid. All warranty claims shall be forfeited if the unit is opened, altered, modified, rebuilt or repaired by a person not authorized by the manufacturer.

The declaration of conformity (CE, WEEE, RoHS) is available upon request from the manufacturer.



TECHNICAL DATA	PURE 2400 W	PURE 3000 W
Operating voltage	220-240 V AC ~, 50/60 Hz	220-240 V AC ~, 50/60 Hz
Power at 230 V AC~	2400 W   8190 BTU	3000 W   10237 BTU
Current	10.43 A	13.04 A
Power Cord	43.3 inch / 4 x 0.059 inch <sup>2</sup>	
Max. surface temperature / front	≤ 665 °F	
Max. housing temperature	≤ 248 °F	
Filament temperature	2010-2375 °F	
Heating impact in	15 Sek.	
Max. visible light	≤ 300-400 Lumen	
Installation height	min. 72 inch / max. 118 inch	
IP protection class	IP 65	
Manual control	ON/OFF, 100% + 50%	
Measurements / Weight	41.10 x 6.65 x 3.43 inch	

US

**THE FOLLOWING INSTRUCTIONS AND MARKINGS MUST BE OBSERVED AND COMPLIED WITH IN ANY CASE AND UNDER ANY CIRCUMSTANCES.**

#### CARE INSTRUCTIONS

<b>CARE INSTRUCTIONS!</b>	<b>Important!</b> Before first use, please clean the heater surface with an alcohol-free customary glass cleaner. Fingerprints can cause discolour at the surface.
---------------------------	--

#### LABELS AND INSTRUCTIONS IN ACCORDANCE WITH INTERNATIONAL STANDARDS & SPECIFICATIONS

<b>UL499 Cl. 53.9:</b>	<b>CAUTION!</b> Ceiling installation: Do not install heater closer than 6.70 inch to the ceiling and closer than 79.00 inch to a horizontal surface and closer than 16.00 inch to a vertical surface. Wall installation: Do not install heater closer than 6.00 inch to the ceiling and closer than 71.00 inch to a horizontal surface and closer than 16.00 inch to a vertical surface.
------------------------	--

<b>UL499 Cl. 53.38:</b>	<b>CAUTION!</b> To reduce the risk of electric shock, keep extension cord connection dry and off the ground.
-------------------------	--

<b>UL499 Cl. 53.33:</b>	<b>CAUTION!</b> Applicable only for 220-240 V AC power connections! The power cable or buried cable with omnipolar switch may only be replaced by a professional specialist electrical company enlisted or approved by the manufacturer.
-------------------------	--

**GENERAL INSTRUCTIONS BASED ON INTERNATIONAL STANDARDS AND SPECIFICATIONS**

<p><b>UL499 Cl. 53.15:</b></p>	<p><b>CAUTION!</b></p> <ul style="list-style-type: none"> <li>a) Have a qualified electrician install a properly grounded receptacle outlet, acceptable for outdoor use and protected from snow and rain, immediately adjacent to the location where the heater will be used.</li> <li>b) Route the supply cord and locate the heater so as to be protected from damage by live stock.</li> <li>c) Do not use extension cords.</li> <li>d) Inspect cord before using.</li> <li>e) Unplug heater at receptacle outlet when not in use or before removing, and store heater indoors after winter season.</li> </ul>
--------------------------------	---

<p><b>UL499 Cl. 53.16:</b></p>	<p>Heater in combination with all available accessories features IP protection class IP65 tested following IEC, classified NEMA type 3R.</p>
--------------------------------	--

<p><b>UL499 Cl. 59.2:</b></p>	<p><b>CAUTION!</b> To provide continued protection against the risk of electric shock, disconnect the supply cord before cleaning.</p>
-------------------------------	--



## CONTACT PARTNERS IN YOUR AREA

### GERMANY (Elektrofach-/großhandel)

#### ELECTRICAL SUPPLY COMPANIES

**ELKA Hugo Krischke GmbH**

Wettersteinstr. 12  
D-82024 Taufkirchen  
Tel.: +49 89 3090409-0  
Fax: +49 89 3090409-50  
info@elka-krischke.de  
www.elka-krischke.de

### THE NORTHERN COUNTRIES

Denmark, Sweden, Norway, Finland, Iceland

#### Scandinavia Heatscope ApS

Sønder Klintvej 31  
DK- 6830 Nr. Nebel  
Tel.: +45 23904888  
scandinavia.hs(at)gmail.com  
www.scandinaviaheatscope.dk

### UK & Ireland

#### MAD Design UK Ltd

3rd Floor, 5 Lloyds Avenue  
London EC3N 3AE UK  
Tel.: +44 0333 444 0623  
info@mad-uk.com  
www.mad-uk.com

### POLAND

#### Technomac Sp. z o.o.

Ul. Kosciuszki 12  
05-400 Otwock  
Tel.: +48 602 137 157  
biuro@heatscope.pl  
www.heatscope.pl

### TURKEY

#### Uluslararası Girişim Grubu

Adnan Saygun Cad. Lale Sok. 5/1  
TR-34340 Ulus - Istanbul  
Tel.: +90 212 2877760  
info@uggrubu.com.tr  
www.uggrubu.com.tr

### AUSTRALIA / NEW ZEALAND

#### MAD Design Australia Pty Ltd

Showrooms 3 & 4, 40-42 O'Riordan St  
Alexandria NSW 2015, Australia  
Tel.: +61 2 9997 3050  
info@mad-australia.com  
mad-australia.com

### MANUFACTURER

#### MHS Munich Home Systems GmbH

Kramergasse 32  
D-82054 Sauerlach-Lochhofen  
mail@heatscope.com  
www.heatscope.com

### GERMANY

#### ALL OTHER COMPANIES/CUSTOMERS

#### MOONICH GmbH

Kramergasse 32  
D-82054 Sauerlach-Lochhofen  
Tel.: +49 8104 647090  
Fax: +49 8104 647099  
heatscope@moonich.de  
www.moonich.de

### USA, CANADA, NORTH AMERICA

#### MAD Design USA

5875 Green Valley Circle, Suite 100  
Culver City, CA 90230 USA  
Tel.: + 1 (888) 590.3335  
info@mad-usa.com  
www.mad-usa.com

### ITALY

#### Ecoenergie srl

Via Roma 52/F  
IT-35030 Cinto Euganeo (PD)  
Tel.: +39 0429 700300  
Fax: +39 0429 784513  
info@ecoenergie.biz  
www.ecoenergie.biz

### CZECH REPUBLIC

#### Ridici systémy, s.r.o.

Jablonecká 648/8  
CZ-46001 Liberec I - Staré Město  
Tel.: +420 485 130303  
Fax: +420 485 130209  
info@heatscope.cz  
www.heatscope.cz

### GREECE

#### Archiflame

30 El. Venizelou St.  
GR-172 35 Daphne / Athens  
Tel.: +30 210 9716521  
Fax: +30 210 9716521  
info@archiflame.gr  
www.archiflame.gr

### PERU, SOUTH AMERICA

#### Delicaat - Francisco Gimeno Aleman

Calle Francia 353 Dpto. 402  
Miraflores / Lima, Peru  
Tel.: +51 1 5052164  
paco@delicaat.com.pe  
www.delicaat.com.pe

### BeNeLux

#### Belgium, The Netherlands, Luxembourg

#### MOONICH GmbH

Kramergasse 32  
D-82054 Sauerlach-Lochhofen  
Tel.: +49 8104 647090  
Fax: +49 8104 647099  
heatscope@moonich.de  
www.moonich.de

### FRANCE

#### SARL HEATSCOPE FRANCE

ZI Les grosses  
26290 Donzère FRANCE  
Tel.: +33 9 64 12 50 95  
Fax: +33 4 75 52 92 89  
contact@heatscopefrance.fr

### SPAIN, PORTUGAL

#### HEATSCOPE IBERICA

Sant Elies, 40, baixos  
ES-08006 Barcelona, Spain  
Tel.: +34 93 380 84 74  
mail@heatscopeiberica.es  
www.heatscope.com

### SLOVAKIA

#### KA-BE s.r.o.

Hrišovská 205  
SK-01001 Žilina  
Tel.: +421 41 7002121  
Fax: +421 41 7233446  
kabe@kabe.sk  
www.kabe.sk

### MEXICO

#### Comercializadora Alvez SA de CV

Av. México-Toluca 1235 B PH  
Col. Santa Fe Cuajimalpa,  
MX 05348 Mexico DF, Zentrika  
Tel.: +52 55 5257 3131  
trafico@patioexterior.com.mx  
www.patioexterior.com.mx