

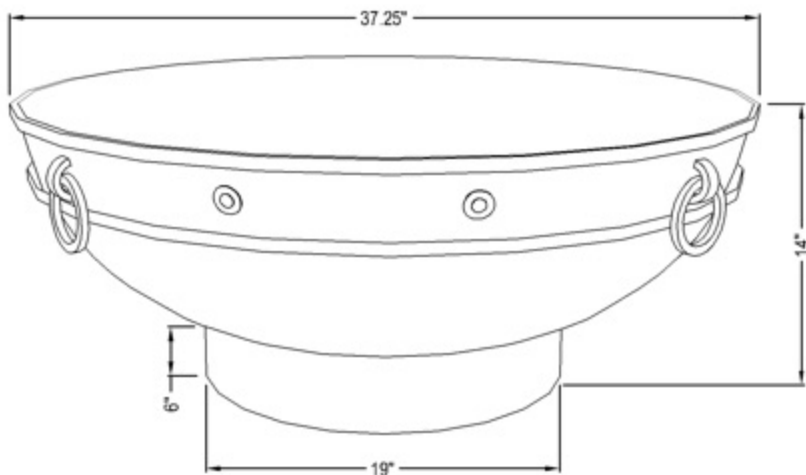


**FIRE PIT ART®**  
*A gathering place for family & friends*

FIRE PIT ART  
1746 SPARTA PIKE  
LEBANON, TN 37090  
PHONE: (615) 707-1912  
www.firepitart.com

SELECT DESIRED FUEL TYPE:

- WOOD BURNING
- NATURAL GAS - MATCH LIT
- LIQUID PROPANE - MATCH LIT
- NATURAL GAS - AWEIS
- LIQUID PROPANE - AWEIS



PERSPECTIVE

**SPECIFICATIONS**

**BURNER:** 120K BTU BRASS BURNER

**PAN SIZE:** 32" DIAMETER

**LAVA ROCK LBS.:** 60

**DIMENSIONS:** 14" H X 37.25" W X 37.25" D

**BASE DIMENSIONS:** 6" H X 19" DIAMETER

**WEIGHT:** 120 LBS

**MATERIALS:** 1/4" THICK MILD CARBON STEEL

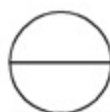
**FINISH:** IRON OXIDE

**MANUFACTURER NOTES:**

1. VENT THE BASE, CUT THE BOTTOM OUT OF THE HEMISPHERE, BUILD A PLATE TO DROP IN THE HOLE TO ATTACH THE GAS COMPONENTS AND THEN ADD THE LAVA ROCK. THOSE CHANGES ARE MADE BY FIRE PIT ART® AND A WOOD BURNING PIECE IS NOT TO BE MODIFIED FOR GAS BY THE CONSUMER.

**NOTES:**

1. INSTALLATION TO BE COMPLETED IN ACCORDANCE WITH MANUFACTURER'S SPECIFICATIONS.
2. DO NOT SCALE DRAWING.
3. THIS DRAWING IS INTENDED FOR USE BY ARCHITECTS, ENGINEERS, CONTRACTORS, CONSULTANTS AND DESIGN PROFESSIONALS FOR PLANNING PURPOSES ONLY. THIS DRAWING MAY NOT BE USED FOR CONSTRUCTION.
4. ALL INFORMATION CONTAINED HEREIN WAS CURRENT AT THE TIME OF DEVELOPMENT BUT MUST BE REVIEWED AND APPROVED BY THE PRODUCT MANUFACTURER TO BE CONSIDERED ACCURATE.
5. CONTRACTOR'S NOTE: FOR PRODUCT AND COMPANY INFORMATION VISIT [www.CADdetails.com/info](http://www.CADdetails.com/info) AND ENTER REFERENCE NUMBER 5297-010



**FIRE PIT ART**

EMPEROR