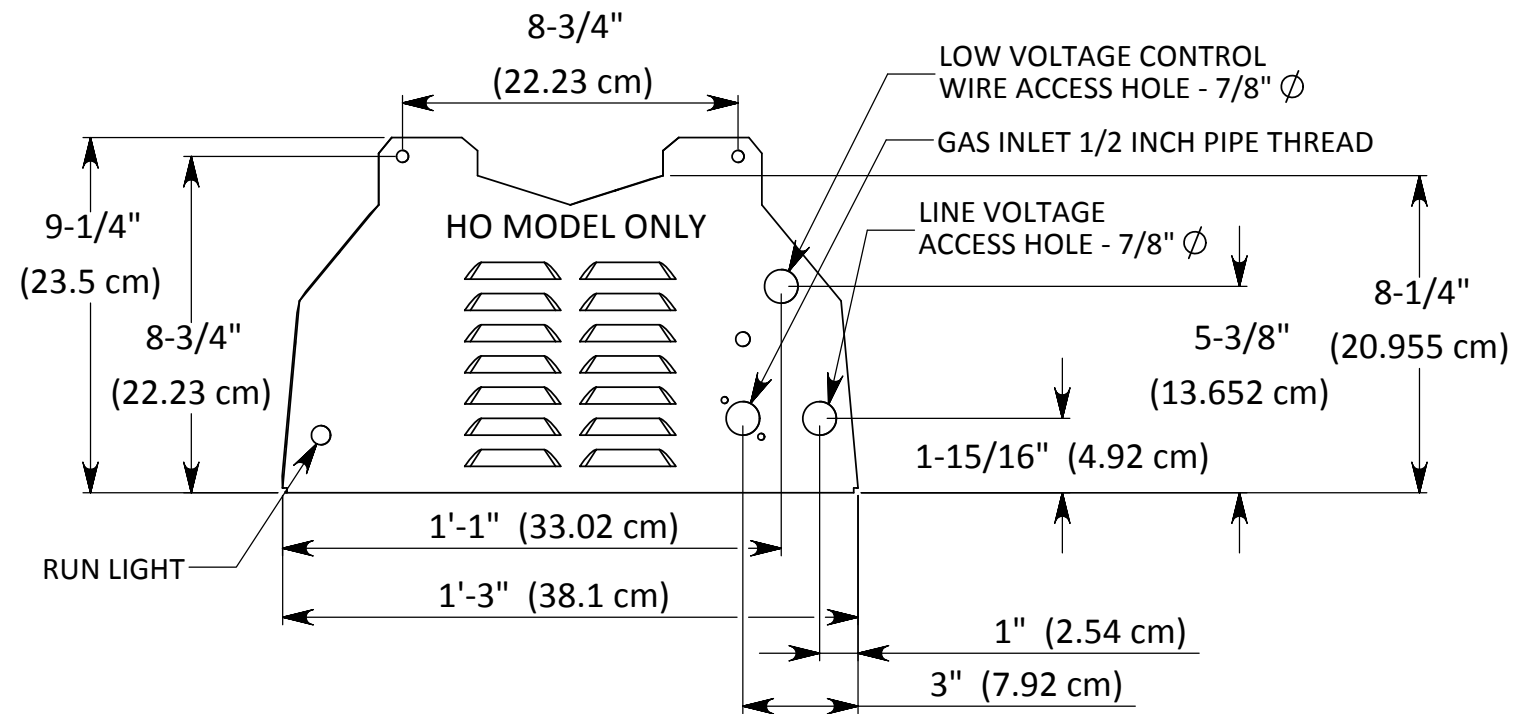
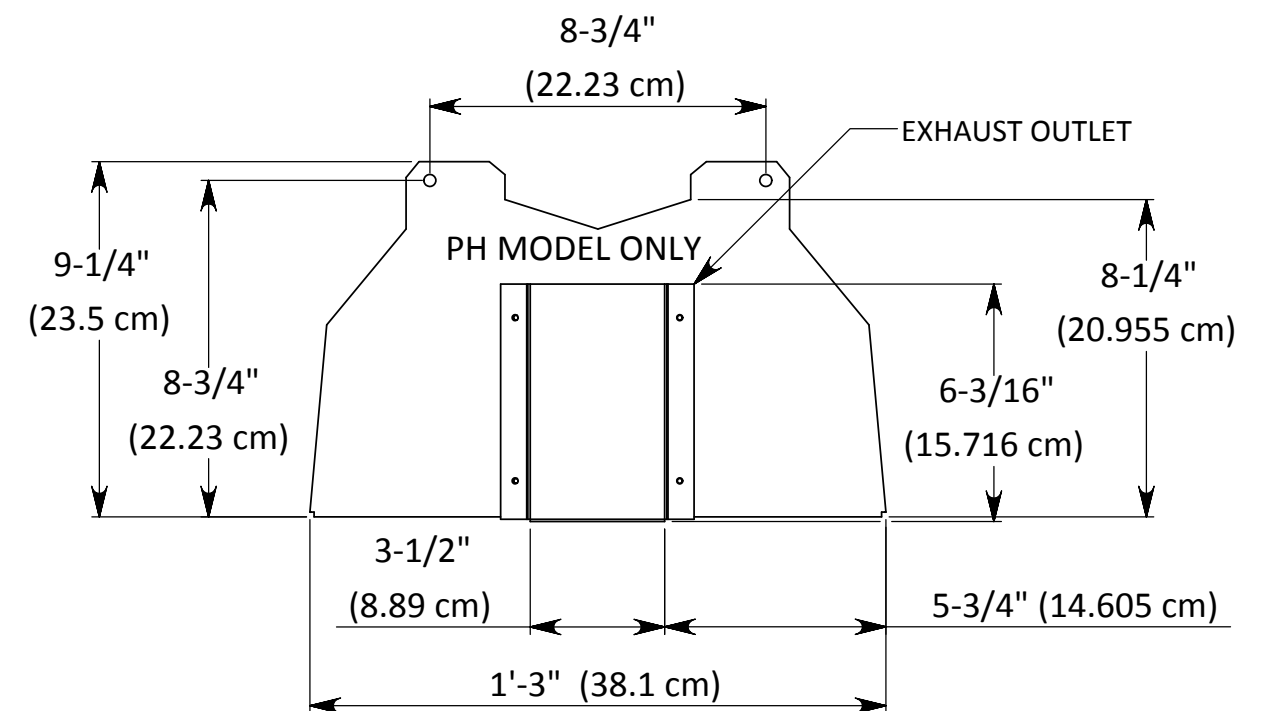
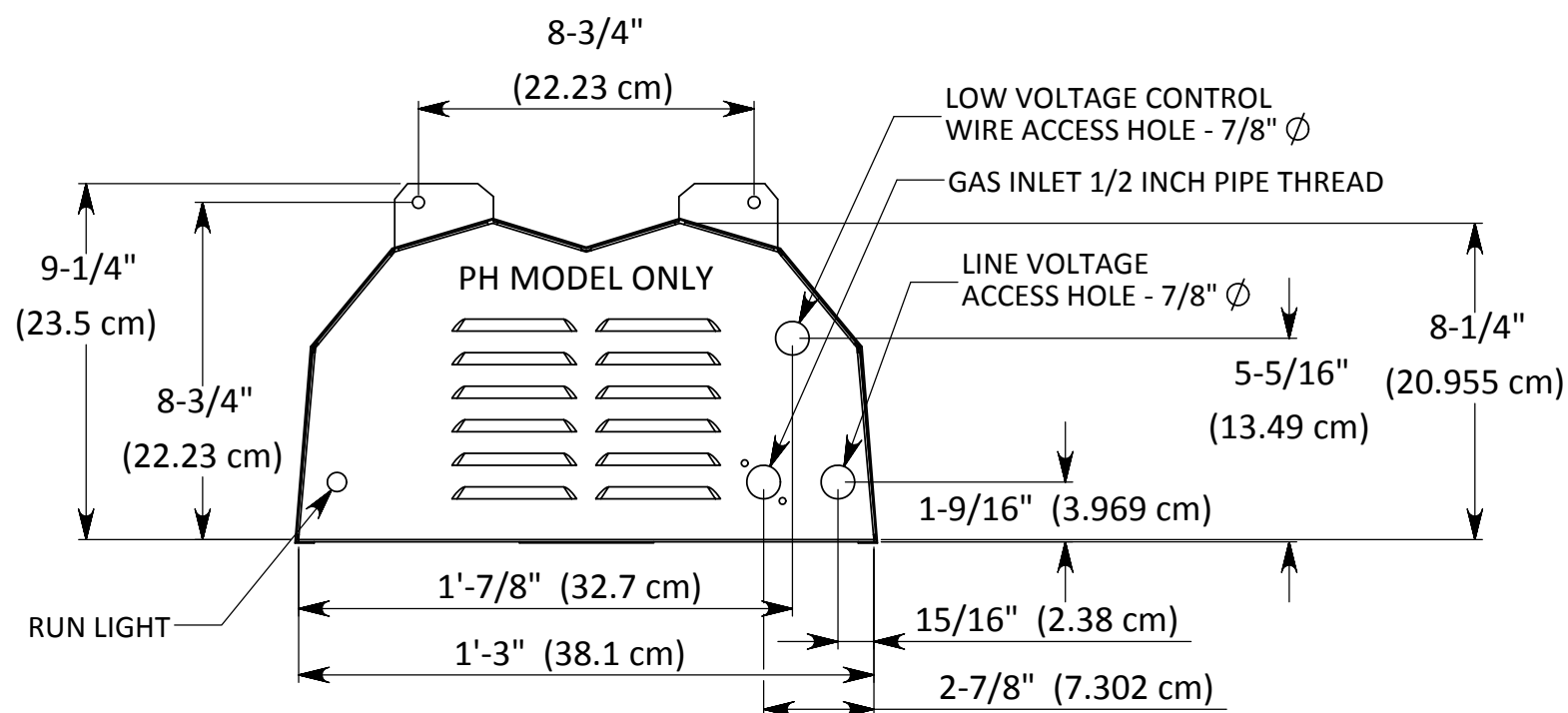
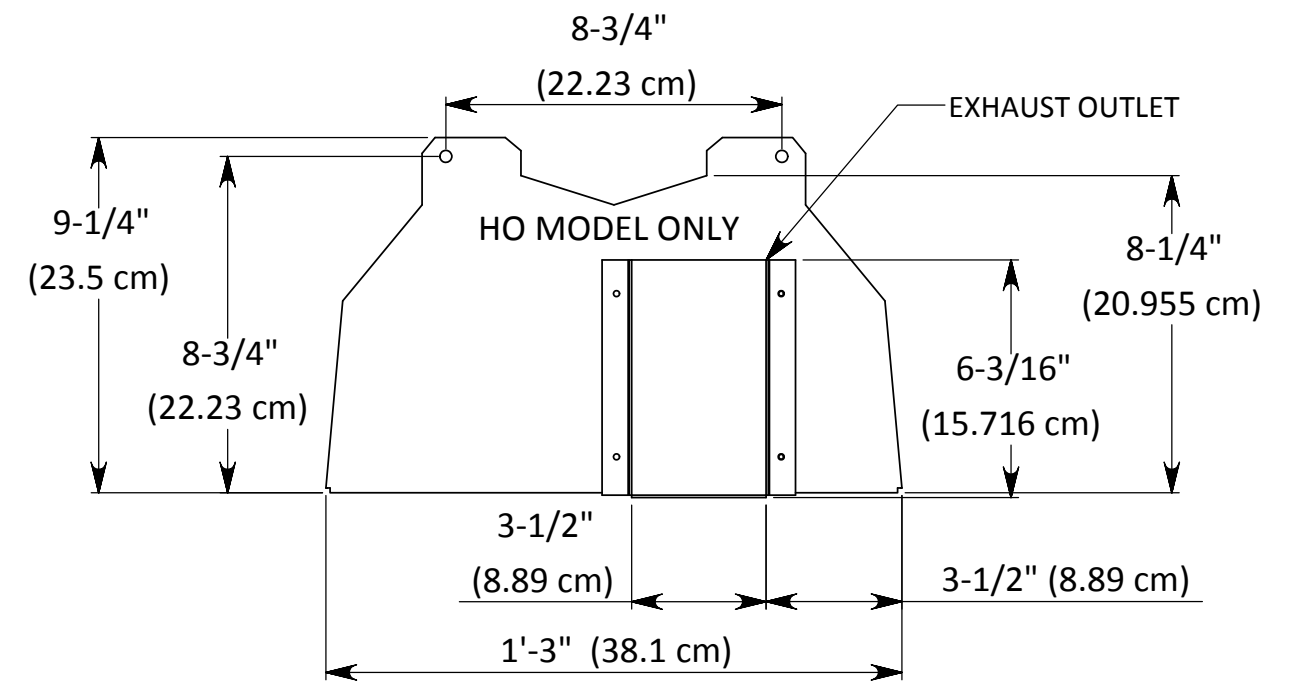


CALCANA - PH SERIES - PATIO HEATER END PROFILES

AIR INTAKE END



EXHAUST END

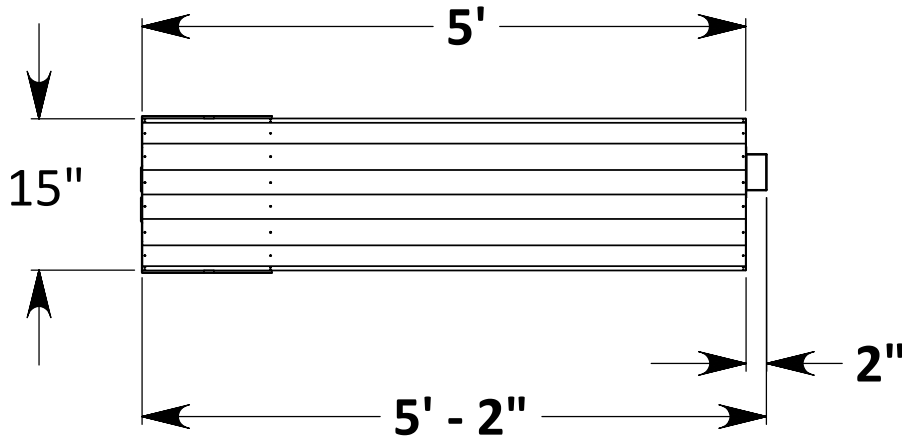


CALCANA - PH SERIES - PATIO HEATER PLAN VIEWS

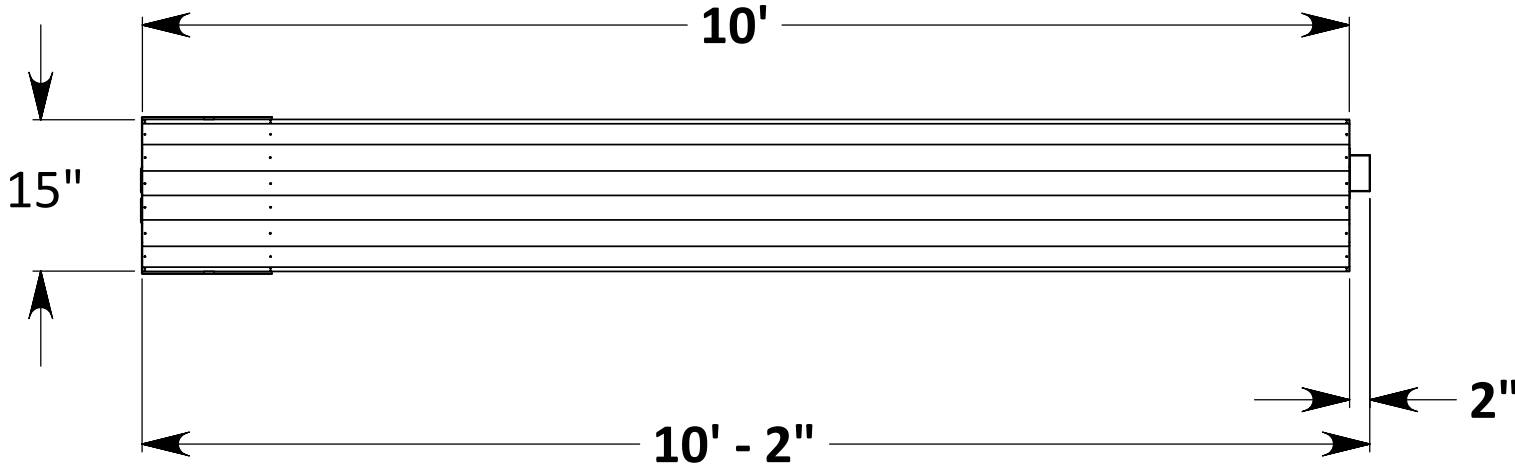
AIR INTAKE END

EXHAUST END

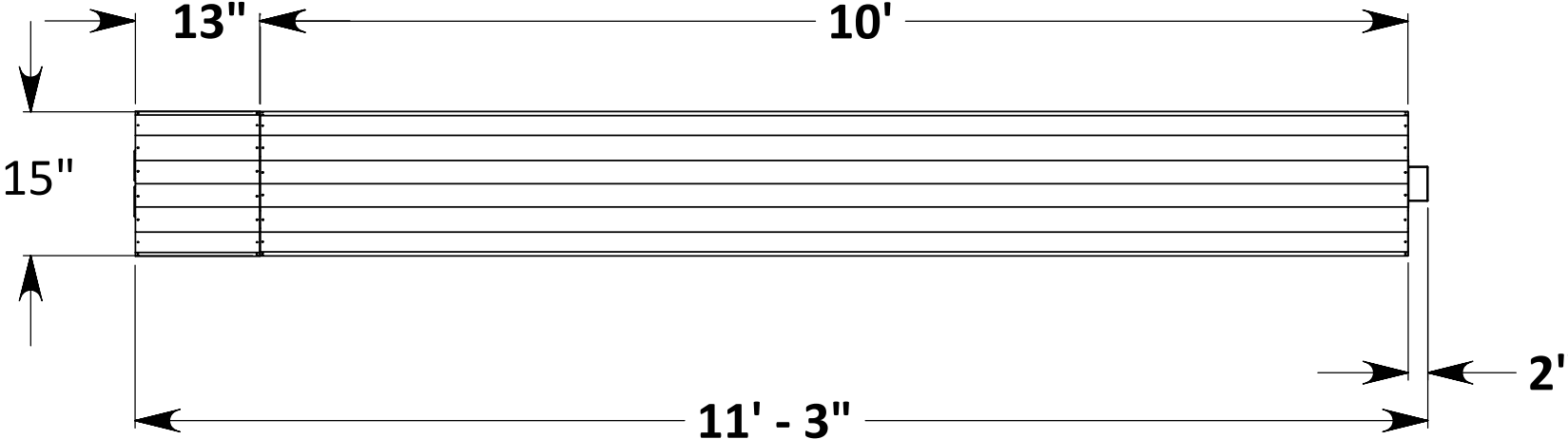
PH-40HO-5'
WEIGHT: 70 LBS



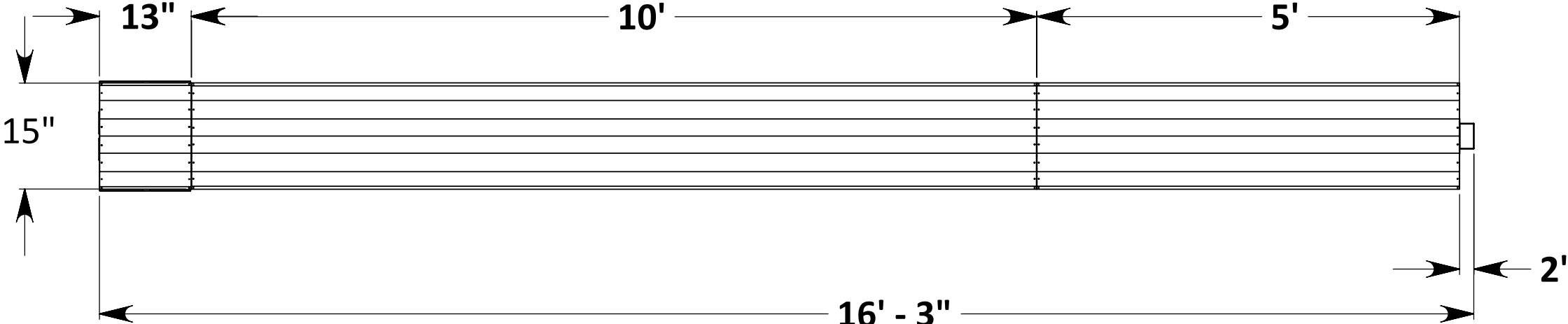
PH-75HO-10'
WEIGHT: 120 LBS



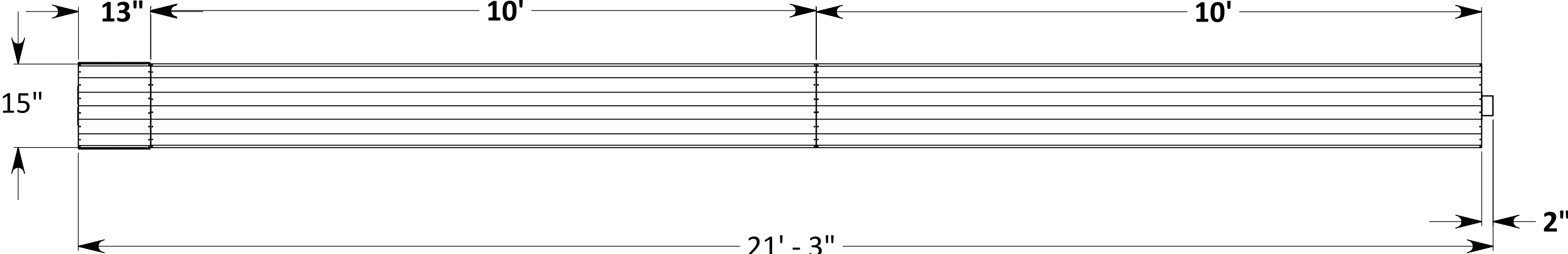
PH-40-10'
WEIGHT: 70 LBS



PH-50-15'
WEIGHT: 95 LBS



PH-75-20'
WEIGHT: 110 LBS

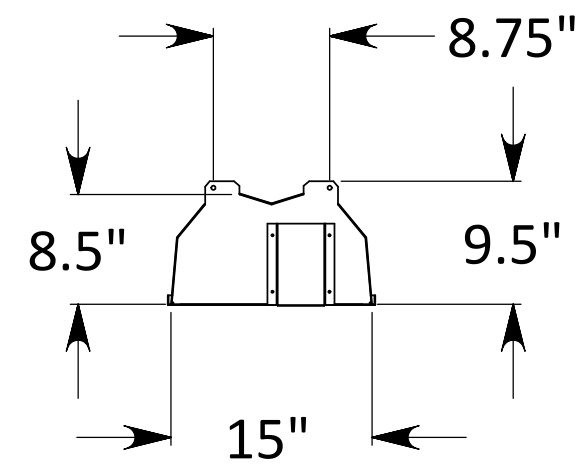
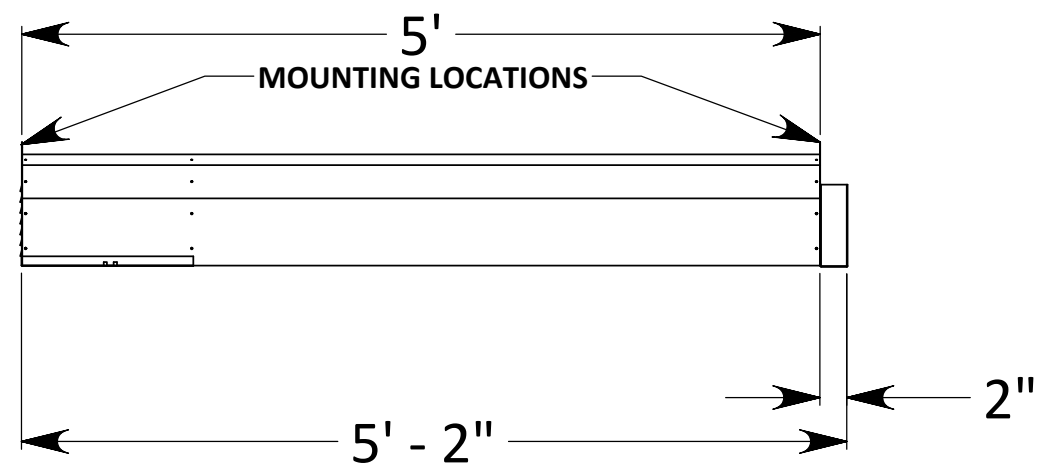
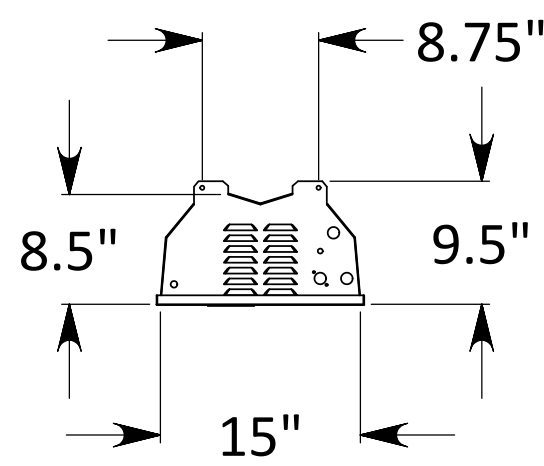


CALCANA - PH SERIES - PATIO HEATER SIDE VIEWS

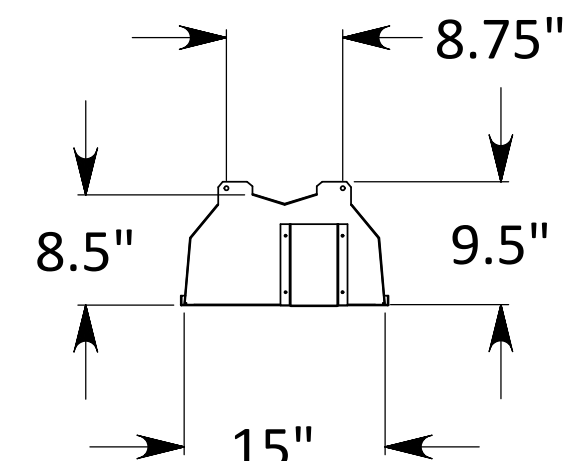
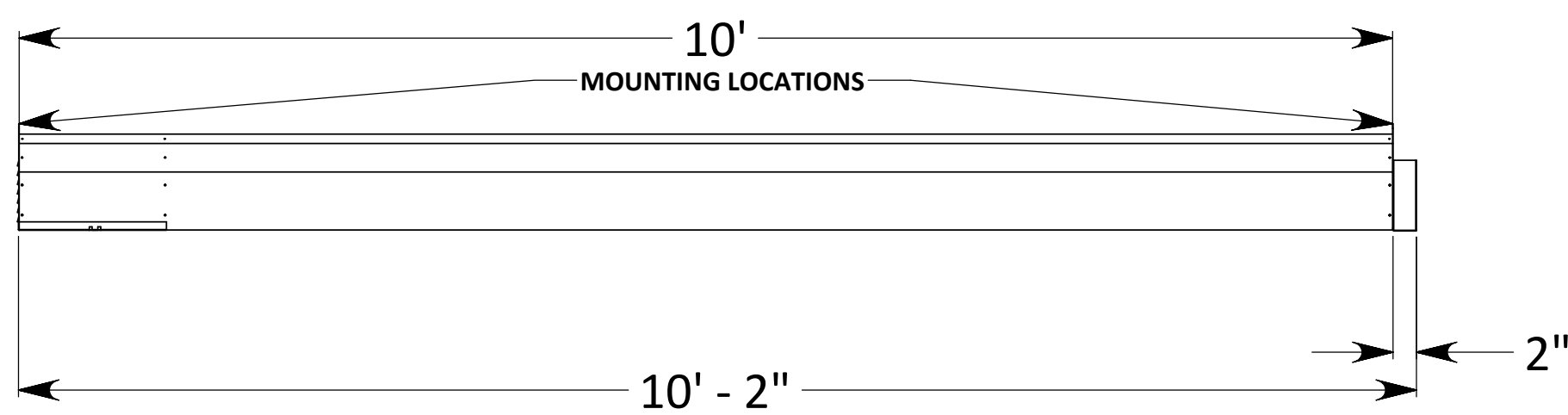
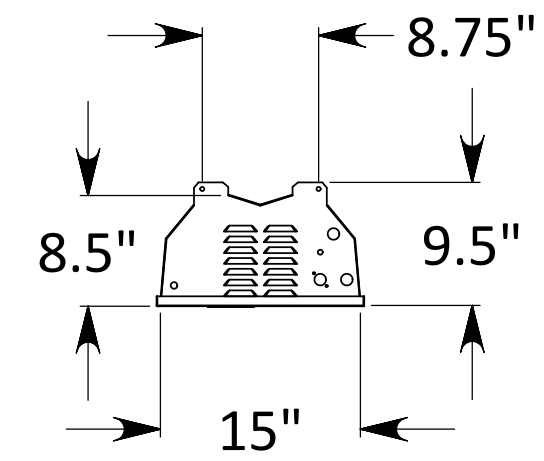
**AIR INTAKE
END**

EXHAUST END

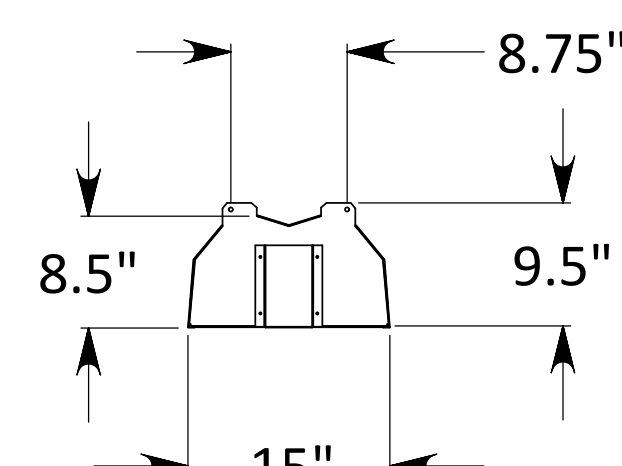
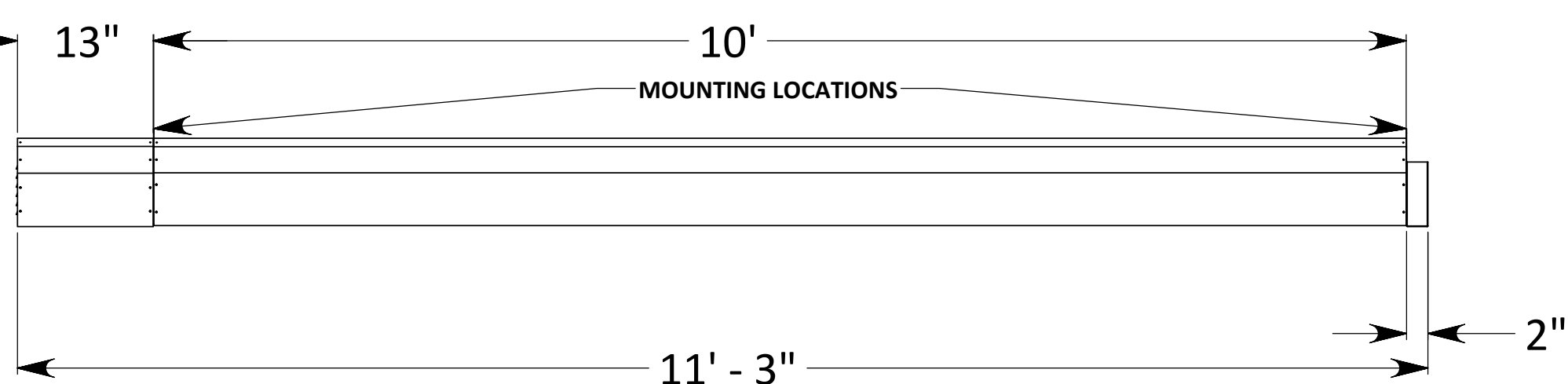
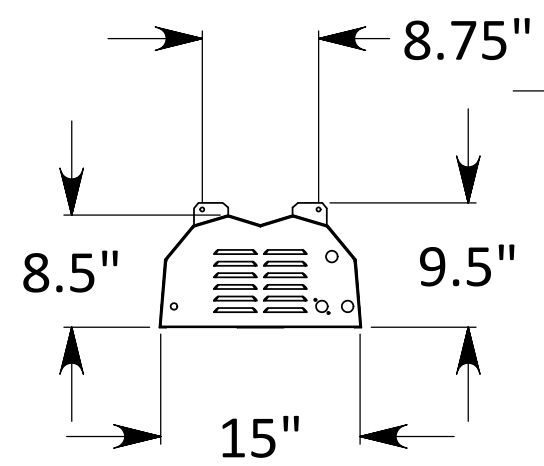
PH-40HO-5'
WEIGHT: 70 LBS



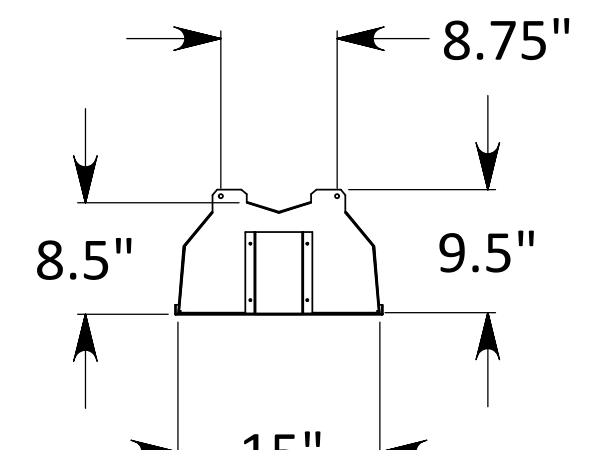
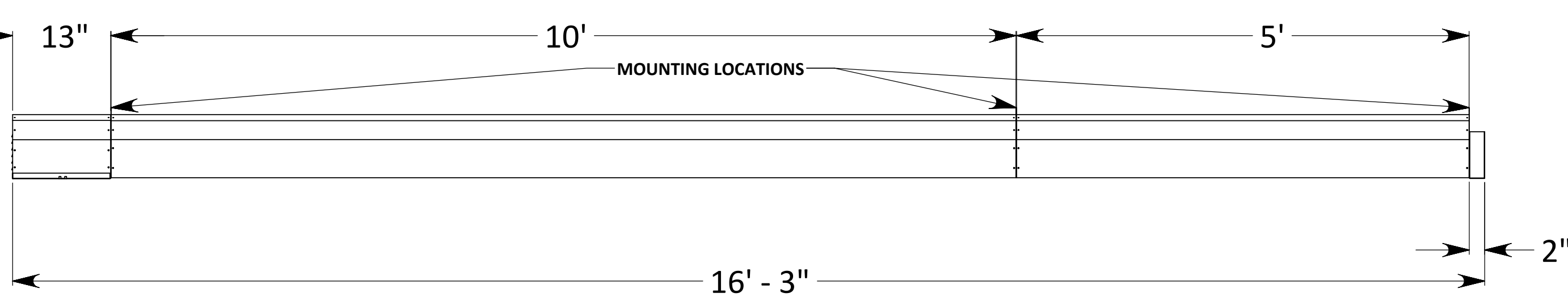
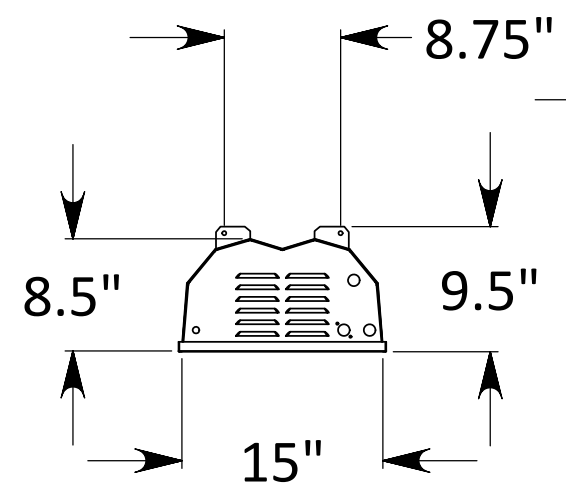
PH-75HO-10'
WEIGHT: 120 LBS



PH-40-10'
WEIGHT: 70 LBS



PH-50-15'
WEIGHT: 95 LBS



PH-75-20'
WEIGHT: 110 LBS

