

**THIS MANUAL APPLIES TO THE FOLLOWING BLAZE GRILLS:**

**Model: BLZ-4PRO / 4 BURNER**



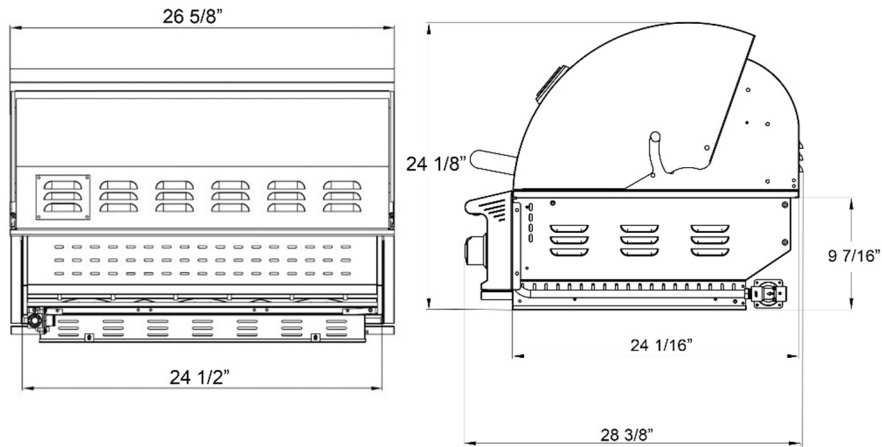
Cutout Dimensions	10 1/2"H* x 42 1/2"W x 23 5/8"D *These dimensions create the required air gap underneath this appliance. This air gap serves multiple purposes, such as preventing a build-up of heat in the island cavity and helping provide proper airflow for combustions and/or cabinetry.
BTU Output	18,000 BTU per Burner x4
Infrared Back Burner	10,000 BTU
Total BTU	82,000
Primary Ignition	Push N' Turn Flame Thrower
Secondary Ignition	Flash Tube
Cooking Grid	40 x 19 15/16
Total Cooking Area	1050 sq.in (includes warming rack)
Flame Tamer	Flame Stabilizer Grid
Zone Cooking	Removable Heat Zone Separators
Rotisserie Kit (Motor & Fork)	Included
Burner	Commercial Quality Cast Stainless Steel
Gas Type	Each grill contains an NG/LP Orifice Kit
Warranty	<p>*Limited Lifetime – Defects in manufacturing and workmanship. Cooking grids, Flame Tamers, Heat Zone Separators, stainless housing, valves, and stainless burners against rust- through.</p> <p>*1 Year – Ignition Components, Electronics and Lighting systems</p> <p>*Appliances must be registered within 30 days of purchase to validate this warranty.</p> <p>*See warranty section for details.</p>

# BBQ SPECIFICATIONS

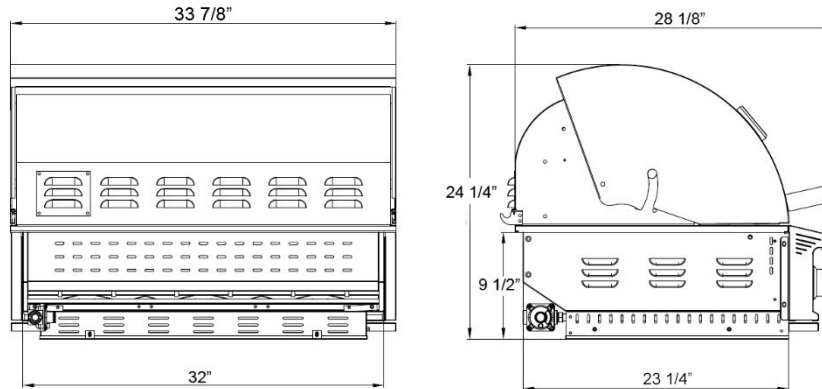
**NOTE: ALWAYS have equipment measured by Contractor before beginning any project.**

\*These dimensions create the required air gap underneath this appliance. This air gap serves multiple purposes, such as preventing a build-up of heat in the island cavity and helping provide proper airflow for combustions and/or cabinetry.

## 2 Burner



## 3 Burner



## 4 Burner

