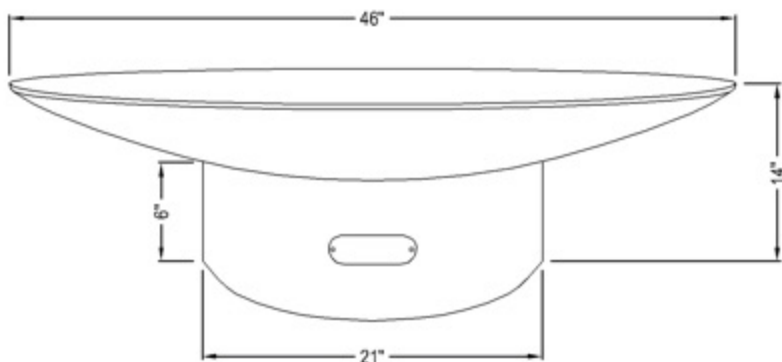


SELECT DESIRED FUEL TYPE:

- WOOD BURNING
 NATURAL GAS - MATCH LIT
 LIQUID PROPANE - MATCH LIT
 NATURAL GAS - AWEIS
 LIQUID PROPANE - AWEIS

SELECT DESIRED FIRE PIT SIZE:

- 34"
 46" (SHOWN)
 58"
 70"



PERSPECTIVE

| SPECIFICATIONS | BELLA VITA 34" | BELLA VITA 46" | BELLA VITA 58" | BELLA VITA 70" |
|-------------------------|---------------------------|-----------------------|-----------------------|-----------------------|
| BURNER: | 120K BTU BRASS BURNER | 120K BTU BRASS BURNER | 180K BTU BRASS BURNER | 250K BTU BRASS BURNER |
| PAN SIZE: | 24" DIAMETER | 24" DIAMETER | 32" DIAMETER | 32" DIAMETER |
| LAVA ROCK LBS.: | 60 | 75 | 105 | 120 |
| DIMENSIONS: | 12" H X 34.5" W X 34.5" D | 14" H X 46" W X 46" D | 16" H X 58" W X 58" D | 18" H X 70" W X 70" D |
| BASE DIMENSIONS: | 6" H X 21" DIAMETER | 6" H X 21" DIAMETER | 7" H X 23" DIAMETER | 8" H X 30" DIAMETER |
| WEIGHT: | 100 LBS | 160 LBS | 240 LBS | 340 LBS |
| MATERIALS: | 1/4" STAINLESS STEEL | 1/4" STAINLESS STEEL | 1/4" STAINLESS STEEL | 1/4" STAINLESS STEEL |
| FINISH: | STAINLESS STEEL | STAINLESS STEEL | STAINLESS STEEL | STAINLESS STEEL |

MANUFACTURER NOTES:

- VENT THE BASE, CUT THE BOTTOM OUT OF THE HEMISPHERE, BUILD A PLATE TO DROP IN THE HOLE TO ATTACH THE GAS COMPONENTS AND THEN ADD THE LAVA ROCK. THOSE CHANGES ARE MADE BY FIRE PIT ART® AND A WOOD BURNING PIECE IS NOT TO BE MODIFIED FOR GAS BY THE CONSUMER.

NOTES:

- INSTALLATION TO BE COMPLETED IN ACCORDANCE WITH MANUFACTURER'S SPECIFICATIONS.
- DO NOT SCALE DRAWING.
- THIS DRAWING IS INTENDED FOR USE BY ARCHITECTS, ENGINEERS, CONTRACTORS, CONSULTANTS AND DESIGN PROFESSIONALS FOR PLANNING PURPOSES ONLY. THIS DRAWING MAY NOT BE USED FOR CONSTRUCTION.
- ALL INFORMATION CONTAINED HEREIN WAS CURRENT AT THE TIME OF DEVELOPMENT BUT MUST BE REVIEWED AND APPROVED BY THE PRODUCT MANUFACTURER TO BE CONSIDERED ACCURATE.
- CONTRACTOR'S NOTE: FOR PRODUCT AND COMPANY INFORMATION VISIT www.CADdetails.com/info AND ENTER REFERENCE NUMBER 5297-007

