



FIRE PIT ART®
A gathering place for family & friends

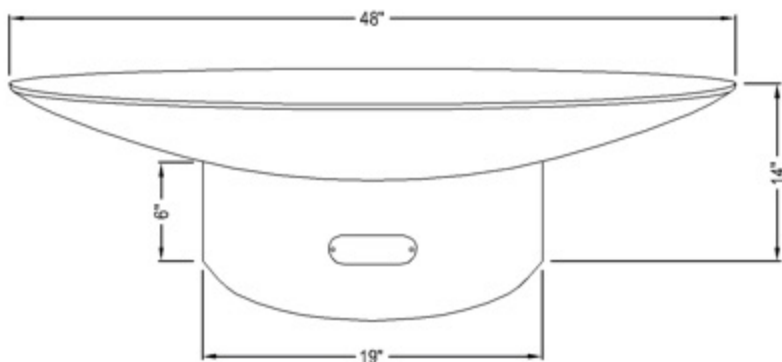
FIRE PIT ART
1746 SPARTA PIKE
LEBANON, TN 37090
PHONE: (615) 707-1912
www.firepitart.com

SELECT DESIRED FUEL TYPE:

- WOOD BURNING
 NATURAL GAS - MATCH LIT
 LIQUID PROPANE - MATCH LIT
 NATURAL GAS - AWEIS
 LIQUID PROPANE - AWEIS

SELECT DESIRED FIRE PIT SIZE:

- 36"
 48" (SHOWN)
 60"
 72"



PERSPECTIVE

SPECIFICATIONS

	ASIA 36"	ASIA 48"	ASIA 60"	ASIA 72"
BURNER:	120K BTU BRASS BURNER	120K BTU BRASS BURNER	180K BTU BRASS BURNER	250K BTU BRASS BURNER
PAN SIZE:	24" DIAMETER	24" DIAMETER	32" DIAMETER	32" DIAMETER
LAVA ROCK LBS.:	45	60	100	105
DIMENSIONS:	12" H X 36" W X 36" D	14" H X 48" W X 48" D	16" H X 60" W X 60" D	18" H X 72" W X 72" D
BASE DIMENSIONS:	6" H X 19" DIAMETER	6" H X 19" DIAMETER	7" H X 23" DIAMETER	8" H X 30" DIAMETER
WEIGHT:	100 LBS	150 LBS	265 LBS	375 LBS
MATERIALS:	1/4" THICK MILD CARBON STEEL IRON OXIDE	1/4" THICK MILD CARBON STEEL IRON OXIDE	1/4" THICK MILD CARBON STEEL IRON OXIDE	1/4" THICK MILD CARBON STEEL IRON OXIDE

FINISH:
MANUFACTURER NOTES:

- VENT THE BASE, CUT THE BOTTOM OUT OF THE HEMISPHERE, BUILD A PLATE TO DROP IN THE HOLE TO ATTACH THE GAS COMPONENTS AND THEN ADD THE LAVA ROCK. THOSE CHANGES ARE MADE BY FIRE PIT ART® AND A WOOD BURNING PIECE IS NOT TO BE MODIFIED FOR GAS BY THE CONSUMER.

NOTES:

- INSTALLATION TO BE COMPLETED IN ACCORDANCE WITH MANUFACTURER'S SPECIFICATIONS.
- DO NOT SCALE DRAWING.
- THIS DRAWING IS INTENDED FOR USE BY ARCHITECTS, ENGINEERS, CONTRACTORS, CONSULTANTS AND DESIGN PROFESSIONALS FOR PLANNING PURPOSES ONLY. THIS DRAWING MAY NOT BE USED FOR CONSTRUCTION.
- ALL INFORMATION CONTAINED HEREIN WAS CURRENT AT THE TIME OF DEVELOPMENT BUT MUST BE REVIEWED AND APPROVED BY THE PRODUCT MANUFACTURER TO BE CONSIDERED ACCURATE.
- CONTRACTOR'S NOTE: FOR PRODUCT AND COMPANY INFORMATION VISIT www.CADdetails.com/info AND ENTER REFERENCE NUMBER 5297-002



FIRE PIT ART

ASIA