

1

2

3

4

5

6

A

A

B

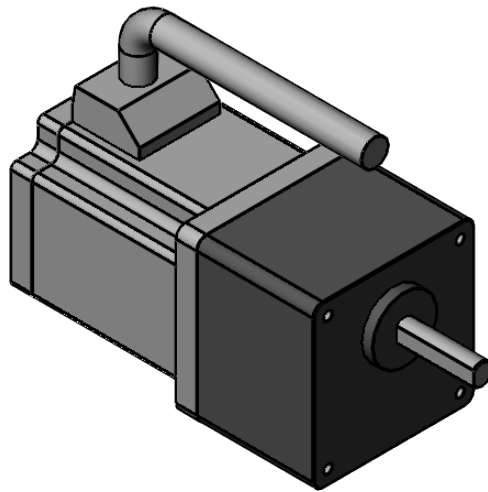
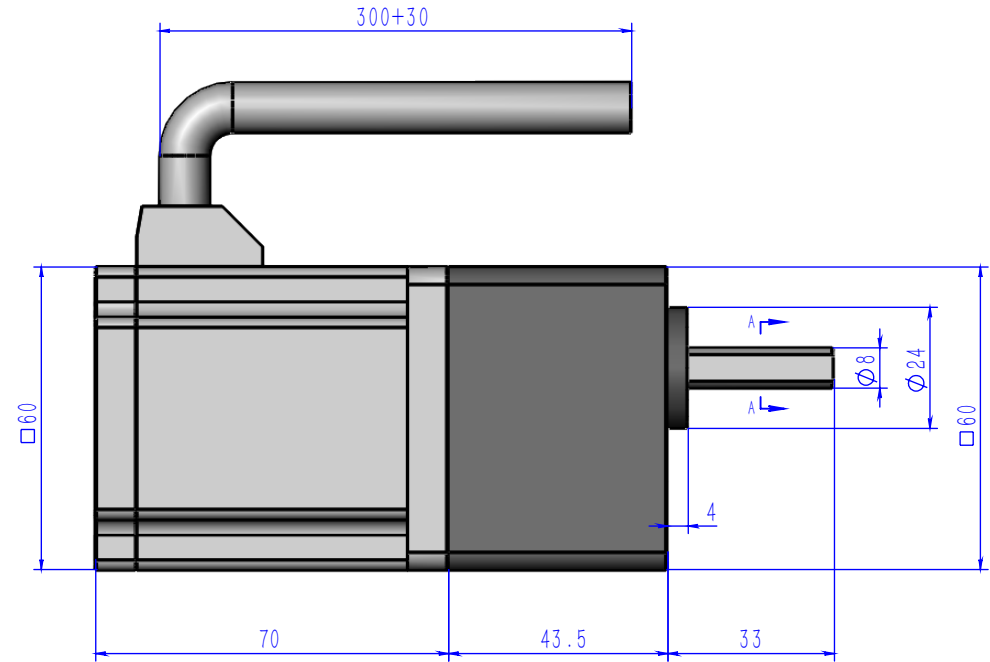
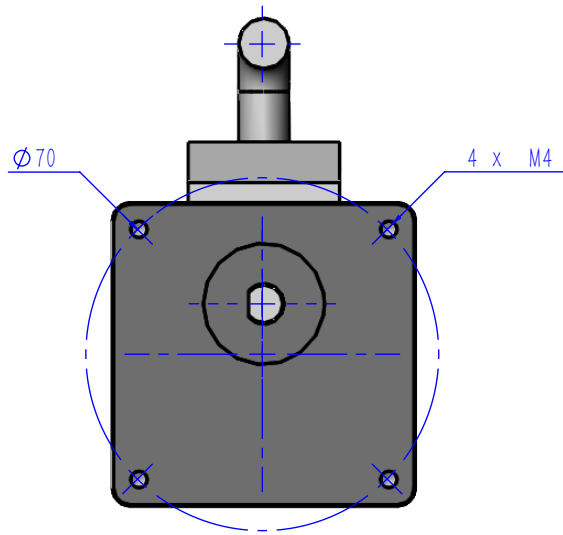
B

C

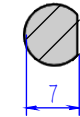
C

D

D



A-A
1:1



Notes:
Customer is responsible
for determining that
motor is suitable for their
application.

Rev	Description	Date	Drawn by	Approved
△		20/03/14	X.Yan	

Title
DWG #

M-FT-60



1

2

3

4

5

6