

Assembly Instructions for XTR Awning Mount Upright Sub-Structure Kit



XTRUSION DESIGNS LLC

CONTACT: SUPPORT@XTRUSIONDESIGNS.COM

Thank you for purchasing our awning upright sub-structure kit. We strive for top quality components and excellent customer service. If you have any issues during installation, don't hesitate to contact us via email at support@xtrusiondesigns.com and we will do everything we can to make sure any issues with our product are resolved!

General Notes:

The assembly instructions depicted below are not truck model specific. However, there will be notes if there are steps that differ from truck models.

Depending on the options that you chose on your rack, the components and hardware may vary. Please refer to your pack list for all contents that are to be included in your kit. If you think you are missing a component, please contact us for further assistance.

Safety First:

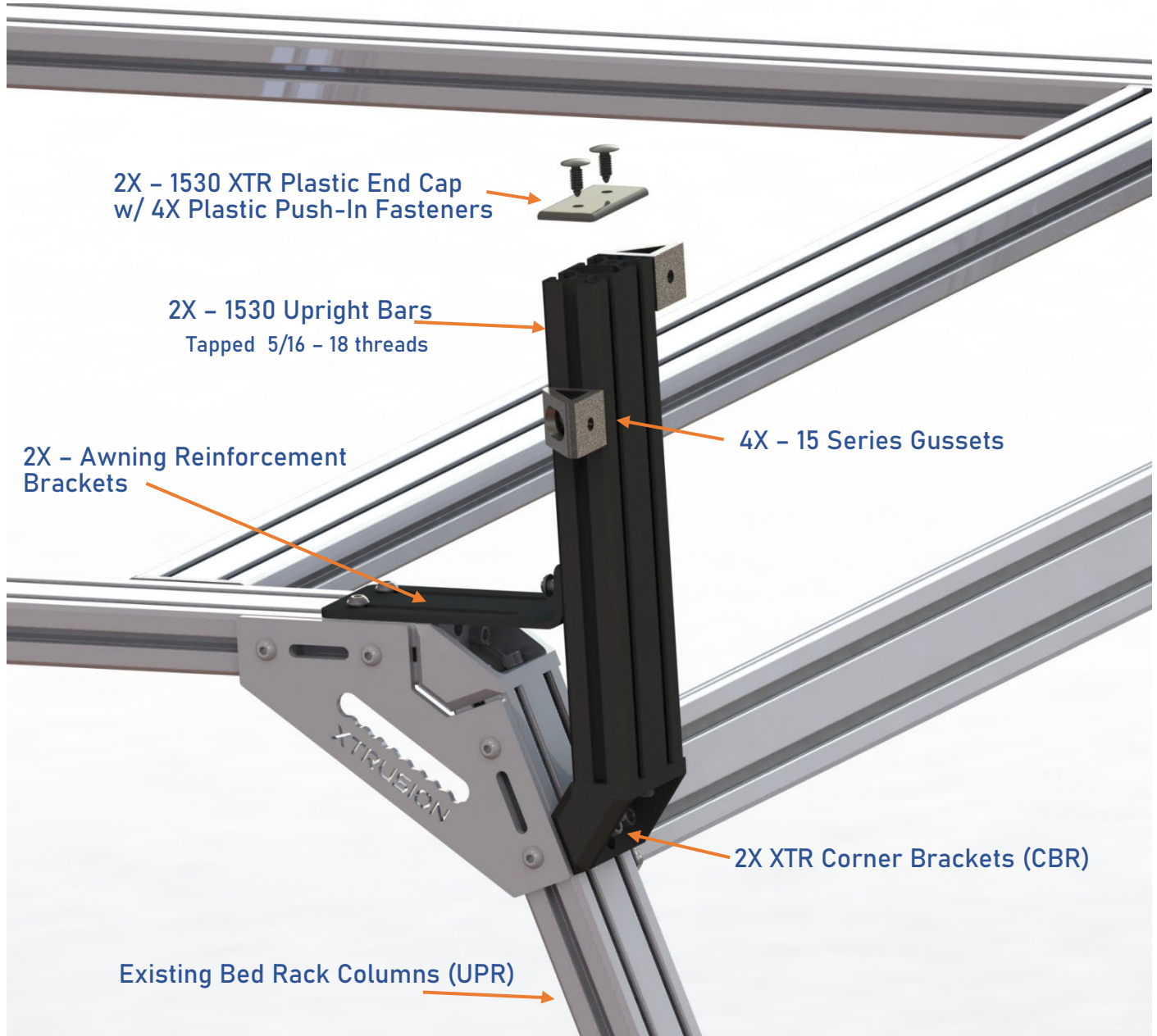
We have developed this product with great structural capabilities. However, it is your responsibility to make sure that all nuts and bolts, straps and all adjustable components are always tight and secured. Periodically check the condition of all components including straps, nuts, bolts, knobs, screws and locks to make sure they are free of corrosion, damage, fatigue or wear as any loose components might lead to structural failure and deem the warranty void. Please double check before every trip that there are no loose attachments, hardware, accessories, etc. The system is intended for Off-Road use. If you use on highway roads, it is under your responsibility to ensure its operation is safe. Never exceed the vehicle manufacturer load capabilities, taking precedence over the XTR1 capabilities and taking the weight of the system plus loaded accessories into consideration. All long boards such as kayaks, canoes, surfboards need to be secured to a vehicle attachment point, such as bumper, tow hooks, etc. Remove valuables from vehicle when left unattended for long periods of time.

Always plan your route and check local and state laws governing projection of objects beyond the perimeter of a vehicle. Always be aware of the width and height of your cargo while driving through low clearance obstacles such as bridges, branches, trees, garages, etc.

Obey all posted speed limits and adapt driving to the weather, load and cargo conditions and remember that cargo can affect the vehicle driving behavior.

Components

Check all the components on your pack list. Next, identify the main components:



*Please note that the components will vary depending on options selected at time of ordering. Also refer to accessories ordered for installation instructions. **Powder coated components might have small handling marks that would not affect its durability, with the exception of sheet metal wing brackets. Pay attention to these and touch up as they are handled.**

Standard hardware components:



Button Cap Screw (BCS) (5/16-18)



Socket Head Cap Screw (SHCS) (5/16-18)
(1/4-20) for some optional upgrades.



Drop-In T-Nuts (DITN) (5/16-18)

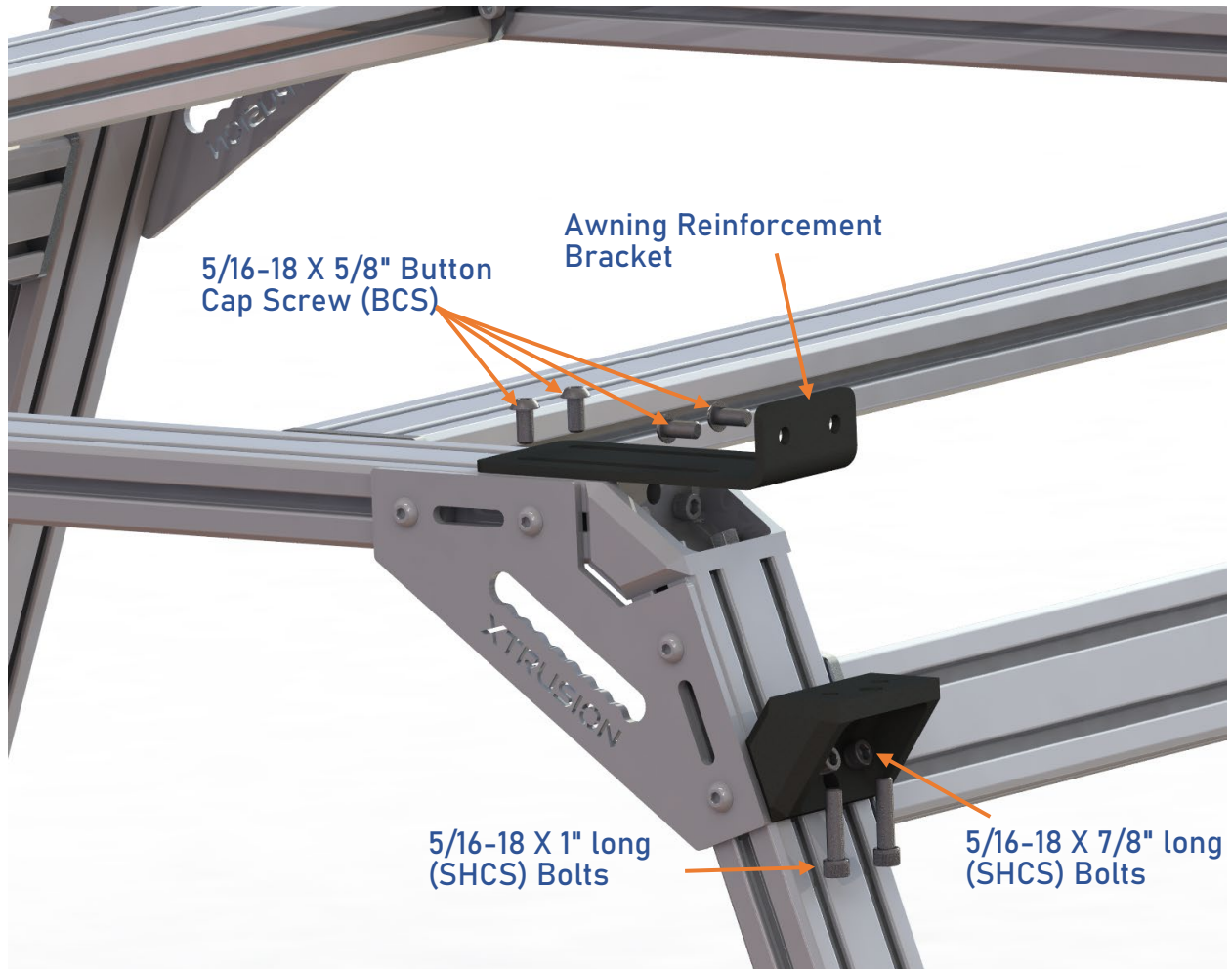


2 Hole Aluminum Gusset 15 Series

We provide a 1.8ml Vibra-Tite® 121 Tubes to coat certain Key pieces of hardware pieces that are in contact with raw aluminum. It is important to only lightly coat 2-3 threads maximum.

INSTALLATION

Assembly the XTR Corner Brackets (CBR) to the front and back on your bed racks Columns (UPR) on either the passenger or driver side of your bed rack as shown below using 5/16-18 X 7/8" long (SHCS) Bolts add Vibra-Tite® 121 Coating and loosely tighten.

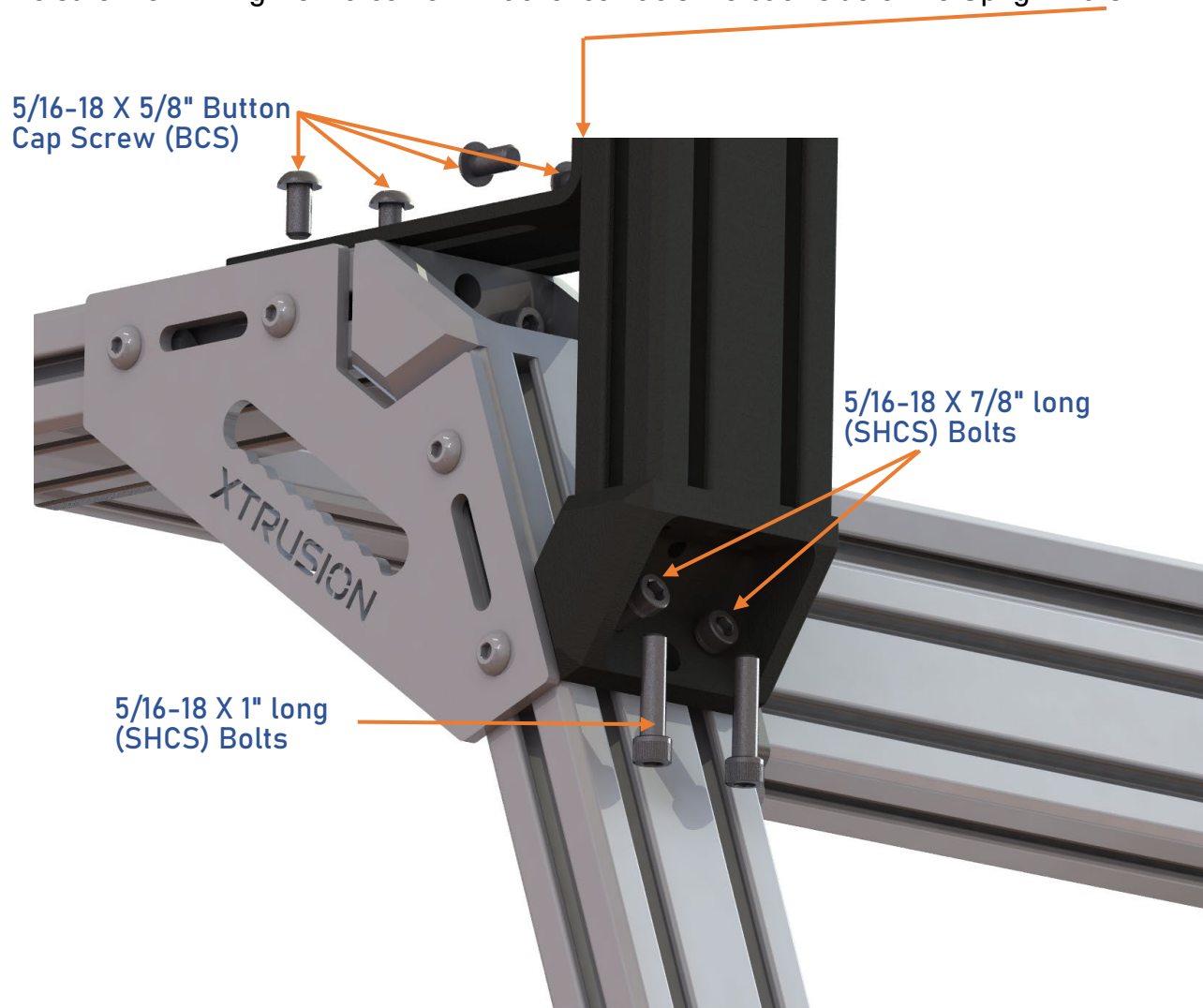


Loosely assemble Awning Reinforcement Brackets to the Top Crossbar with 2 each Drop-In T-Nuts (DITN) (5/16-18) and 2 Button Cap Screw (BCS) (5/16-18 5/8") add Vibra-Tite® 121 Coating and keep loose so you can reposition the Awning Reinforcement Brackets to the Upright.

Attach the 1530 Upright Bars to the Corner Brackets (CBR) using two 5/16-18 X 1" long (SHCS) Bolts add Vibra-Tite®. Adjust to the desired height. This will vary in range depending on your bed racks angle.

The height of where you mount the CBR to the rack upright will affect the distance of the awning upright from the side of the rack. If you need the upright further out from the rack, you will need to lower the CBR mounting point to the maximum of what the reinforcement bracket will allow and still attach to both the back of the awning upright and the racks top crossbar.

Be sure the Awning Reinforcement Bracket contacts the back side of the Upright Bars.



Attach the Awning Reinforcement Brackets to the back side of the 1530 Upright Bars with 2 each Drop-In T-Nuts (DITN) and 2 Button Cap Screw (BCS) (5/16-18 5/8") add Vibra-Tite® 121 Coating. Once you have both Uprights where you want them, hand tighten everything to 20 Ft-Lbs to 24 Ft-Lbs.



Attach the 15 Series Gussets on both sides of the Uprights with 2 each Drop-In T-Nuts (DITN) and 2 Button Cap Screw (BCS) (5/16-18 5/8") add Vibra-Tite® 121 Coating. These adjustable Gussets will be your attachment point for your Awning. It is recommended to use the mounting hardware provided with your awning to mount to the 15 Series Gussets and tighten to the awning manufactures specifications. Hand tighten the Gussets to the 1530 Upright Bars to 20 Ft-Lbs to 24 Ft-Lbs.



*Rack shown with OPTIONAL accessories.

NOTE

This kit was designed with the latest OEM CAD data. However, every model has tolerances and variances. Additionally, every kit is cut to size and there are thousands of variations for each model. If your rack does not fit into the rails, or if it has a big gap, please contact us to get more details and review options. We will resolve any issue with fitment as soon as possible. Contact us via email to support@xtrusiondesigns.com.

Our racks use a standard 15 series style extrusion, so it is compatible with most manufacturers accessories and components such as Faztek®, 8020 Inc ®, Bosch®, etc. You can keep adding and creating structures, at your own risk of damage and/or warranty loss.

WARRANTY

Xtrusion Designs warrants product to be free from defects in material and workmanship, for a period of 1 year, provided there has been normal use and proper maintenance. All remedies under this warranty are limited to the repair or replacement of any item found by the factory to be defective within the time period specified. If you have a warranty claim, first contact us via email to evaluate all options. Warranty applies to original buyer of the rack. You must retain proof of purchase and submit a copy with any items returned for warranty work. Upon completion of warranty work, if any, we will return the repaired or replaced item or items to you freight prepaid. Damage to our products caused by accidents, Fire, vandalism, negligence, mis-installation, misuse, modifications, Acts of God, or by defective parts not manufactured by us, is not covered under this warranty.

Damage or scratches to powder coat paint or anodize finishes that is part of daily use is not covered under this warranty. High speed off road driving even with a light load can cause damage to the rack, accessories and vehicle body. Damage caused by high speed off road driving and abuse is not covered under warranty.

Any implied warranties of merchantability and/or fitness for a particular purpose created hereby are limited in duration to the same duration and scope as the express written warranty. Xtrusion Designs LLC shall not be liable for any incidental or consequential damage. Some states do not allow limitations on how long an implied warranty lasts, or the exclusion or limitation of incidental or consequential damages, so the above limitations or exclusions may not apply to you. This warranty gives you specific legal rights, and you may also have other rights that vary from state to state.

Please contact us at support@xtrusiondesigns.com or call us at 833-987-6837 for any warranty related issues.