

These instructions apply to all T3.5 AUTO / T5 AUTO drive, the different versions of which are available in the current catalogue.

Field of application: T3.5 AUTO / T5 AUTO drive are designed to drive all types of roller shutters equipped with stop blocks and rigid links. The installer, who must be a motorisation and home automation professional, must ensure that the drive product is installed in accordance with the standards in force in the country in which it is installed such as EN 13659 relating to roller shutters.

Liability: Before installing and using the drive, please read operating and installation guide carefully. In addition to following the instructions given in this guide, the instructions detailed in the attached **Safety instructions** document must also be observed. The drive must be installed by a drive and home automation professional, according to instructions from SIMU and the regulations applicable in the country in which it is commissioned. It is prohibited to use the drive outside the fields of application described above. Such use, and any failure to comply with the instructions given in this guide and in the attached **Safety instructions** document, absolves SIMU of any liability and invalidates the warranty. The installer must inform its customers of the operating and maintenance conditions for the drive and must provide them with the instructions for use and maintenance, and the attached **Safety instructions** document, after installing the. Any After-Sales Service operation on the drive must be performed by a drive and home automation professional. If in doubt when installing the drive, or to obtain additional information, contact a SIMU adviser or go to the website www.simu.com

1 Installation

Instructions which must be followed by the drive and home automation professional installing the drive:

- Methods of wiring are given by national standards or IEC60364 standard.
- Cables which pass through a metal wall must be protected and isolated using a sheath or sleeve.

T3.5 AUTO: The cable for the T3.5 AUTO cannot be removed. If it is damaged, return the drive to the After-Sales department.

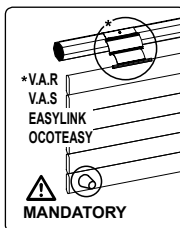
T5 AUTO: The cable for the T5 AUTO can be removed. If it is damaged, replace by the same. The cable may only be connected to the motor by qualified personnel. The connector is to be assembled without damaging the contacts. The continuity of the earth connection must be ensured.

Recommendations: The motor torque must be selected according to the shutter's characteristics. Do not oversize the operator. To receive information regarding the compatibility of the motor and the roller shutter or/and accessories, contact the roller shutter manufacturer or SIMU.

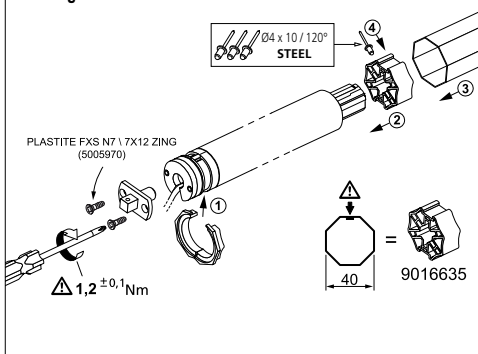
Drilling of the tube:

	T3.5 AUTO		T5 AUTO	
	A (mm)	ØB (mm)	L1 (mm)	L2 (mm)
230V ~ 50Hz	448	4.2	471	485
	483		506	520

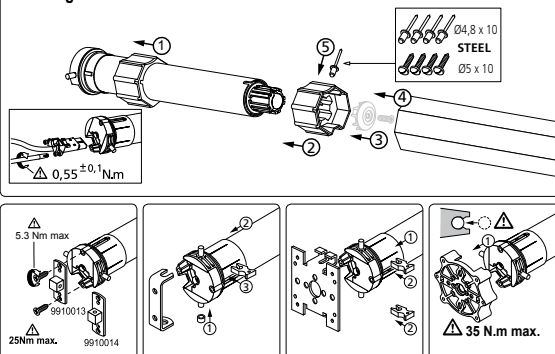
	T3.5 AUTO		T5 AUTO	
	A (mm)	ØB (mm)	L1 (mm)	L2 (mm)
230V ~ 50Hz	485	5	498	521
	505		518	541
	659		672	695



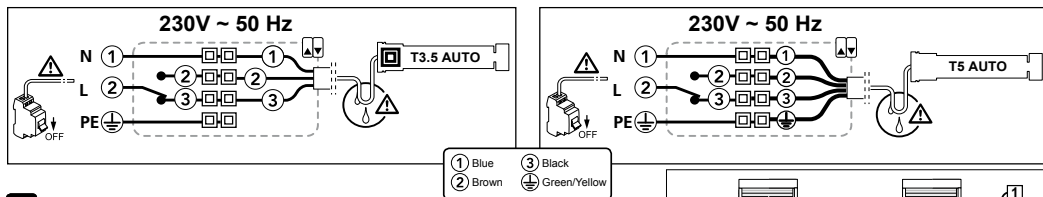
Mounting T3.5 AUTO:



Mounting T5 AUTO:

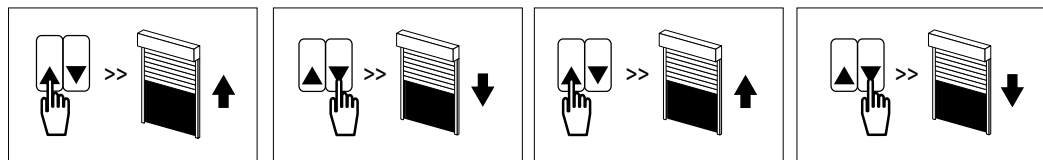


2 Wiring



- 3 operators (max.) can be wired in parallel on one switch.
- Attach cables to prevent any contact with moving parts.
- If the motor is used outdoors and if the power supply cable is of the H05-VVF type, then run the cable in a UV-resistant conduit, e.g. trunking.
- The motor can not be used with control devices such as: emergency power supply (ie: regulated power supply, power generating unit, triac, ex,). Please contact us.

3 Power up of the operator



After the first two consecutive and complete opening and closing of the shutter:

- The motor memorizes automatically the end limit (up and down) positions.
- The «stop on obstacle» function is activated.

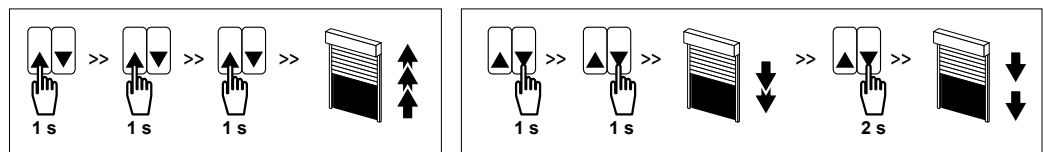
It is advised to carry out these two opening / closing cycles as soon as the product is installed.

For any further information, please consult the SIMU technical leaflet 5056893.

4 Cancelling the automatic settings

In the case of a new installation with this operator, it is advised to reset the motor according to the following procedure:

- Press 3 consecutive times, for 1s. each time, on the UP key. The motor runs briefly at each press.
- Press 3 consecutive times on the DOWN key. (The first two press for 1s. (the motor runs briefly at each press) and the third press for 2s. The motor runs twice in the same direction.



5 Operation and maintenance

- This drive is maintenance-free.
- Press the ▲ button on the control point to raise the motorised product.
- Press the ▼ button on the control point to lower the motorised product.

Tips and recommendations for use:

Observations	Possibles causes	Solutions
The motorised product does not operate.	The overheating protection on the drive has been activated.	Wait until the motor cools down.

If the motorised product still does not work, contact a drive and home automation professional.



SIMU SAS, F-70103 GRAY as manufacturer hereby declares that the drive covered by these instructions when marked for input voltage 230V~50Hz and used as intended according to these instructions, is in compliance with the essential requirements of the applicable European Directives and in particular of the Machinery Directive 2006/42/EC and EMC Directive 2014/30/EU. The full text of the EU declaration of conformity is available at www.simu.com.
Emmanuel CARMIER, general director, GRAY, 03/2017.