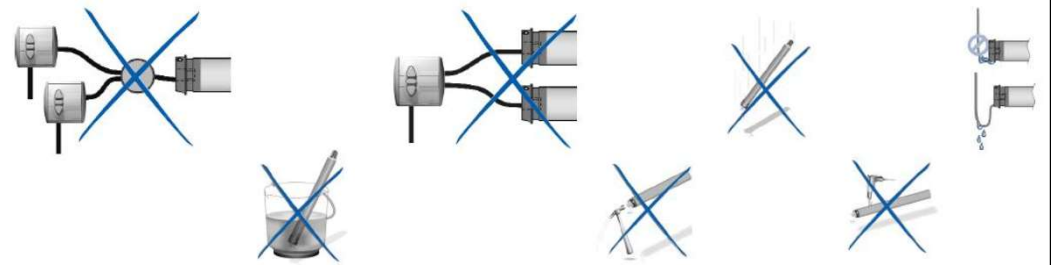
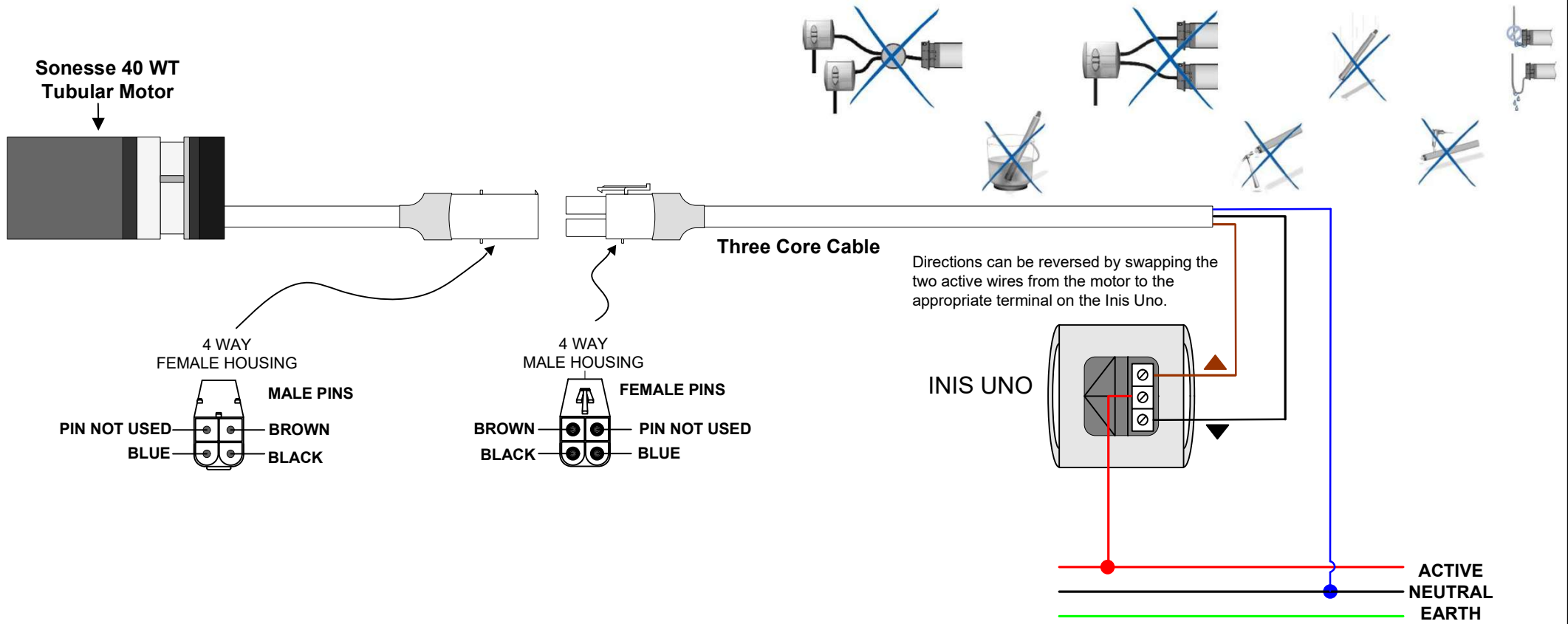
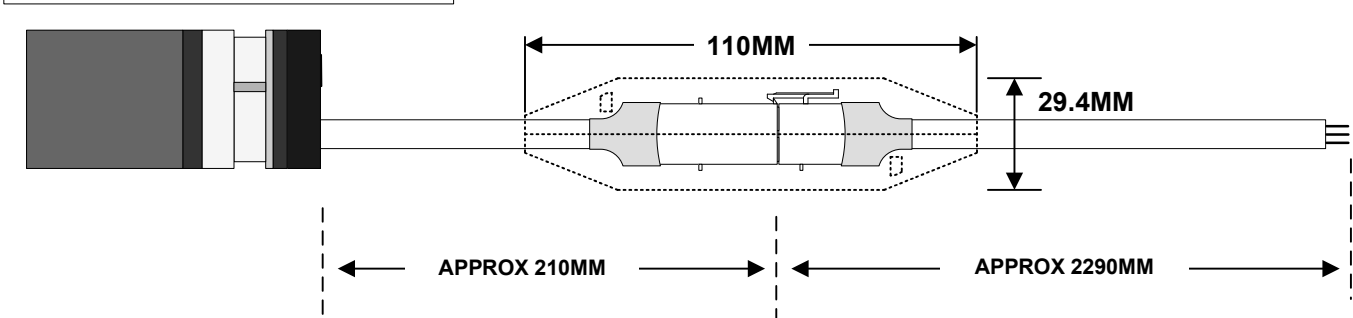


WIRING CONFIGURATION: 1002089 SONESSE 40 WT 3/30 MOTOR 2.5M CABLE WITH INLINE CONNECTOR
1002090 SONESSE 40 WT 4/16 MOTOR 2.5M CABLE WITH INLINE CONNECTOR
1002156 SONESSE 40 WT 9/12 MOTOR 2.5M CABLE WITH INLINE CONNECTOR



In-Line Connector and Housing Fitted



Sonesse 40 WT motors are Class II Insulated **230V AC 50Hz**

BOM	DESCRIPTION	PART NUMBER
1	Sonesse 40 WT	1002089 / 1002090 / 1002156
2	Male Housing	Spec Provided
3	Female Housing	Spec Provided
4	Male Pin	Spec Provided
5	Female Pin	Spec Provided
6	Heat Shrink	White Rediform
7	Warning Label	As Supplied

somfy®

Description: Sonesse 40 WT Motor with Inline Connector

Date Printed: 23/06/2022 | Drawn By: R. HANDOG

© Copyright 2022 All rights reserved. These drawings remain the property of Somfy and shall not be copied or used without written permission.

NOT TO SCALE