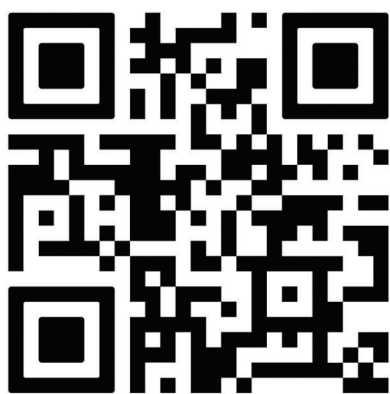




AODM Door Master

Installation Manual & Home Owners Guide

Video Guide On
 YouTube

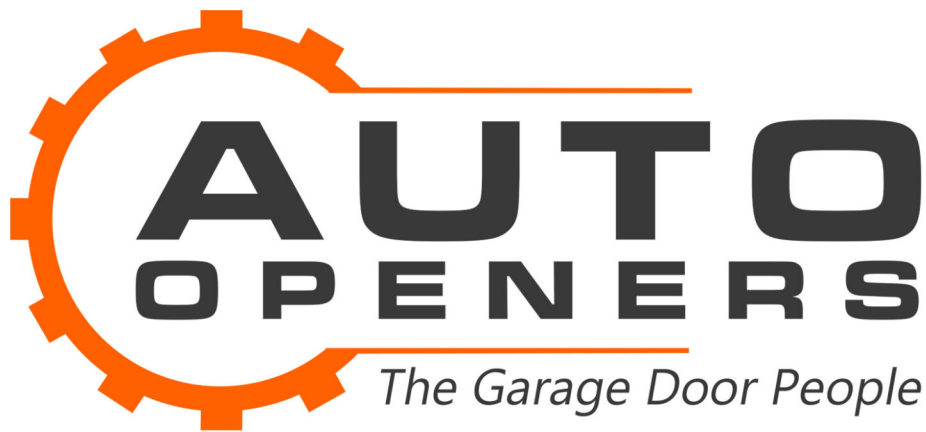


This manual contains important safety information. Do not proceed with installation until reading the instructions thoroughly.

Installer: Ensure manual is included with handover for home owner

 10 YEAR WARRANTY

www.autoopeners.com.au



Warranty Registration

To validate your 5 or 10 Year Warranty you must complete the registration form online at:

autoopeners.com.au/warranty-registration

This automatic garage door opener is designed and tested to offer safe service, provided it is installed and operated in strict accordance with the following safety warnings. Failure to comply with the following instructions may result in death, serious personal injury or property damage.



WARNING!

- The door may operate unexpectedly, therefore do not allow anything to stay in the path of the door
- When operating the manual release while the door is open, the door may fall rapidly due to weak or broken springs, or due to being improperly balanced.
- The Auto Openers Door Master must not be used with a door incorporating a wicket door, unless the Auto Openers Door Master cannot be operated with the wicket door open
- The Auto Openers Door Master is intended to be installed on a residential roller door.
- Do not disengage the Auto Openers Door Master to operate manually with children/persons or any objects including motor vehicles within the doorway
- If the door is closing and is unable to re-open when obstructed, discontinue use. Do not use a door with faulty obstruction sensing.
- When using auto close mode, a Photo Electric beam must be fitted correctly and tested for operation at regular intervals. Extreme caution is recommended when using auto close mode. All safety rules must be followed.



ELECTROCUTION!

- Install the Auto Openers Door Master in protected area so that it does not get wet.
- Do not spray with water
- Disconnect the power cord from mains power before making any repairs or removing covers. Only experienced service personnel should remove covers from the opener.
- If the power supply cord is damaged, it must be replaced by an Accredited Auto Openers Service Agent or suitably qualified person.
- Connect the Auto Openers Door Master to a properly earthed, general purpose 240V mains power outlet installed by a qualified electrical contractor.



CAUTION:

Emergency Access

- If garage has no pedestrian entrance door, an emergency access device should be installed. This accessory allows manual operation of the garage door from outside in case of power failure, which can occur during bushfires, floods or other disasters.

Muscular strain

- Practice correct lifting techniques (carton weighs approx 9kgs)
- Practice correct lifting techniques when required to lift the door as per the installation instructions

Fall from ladder

- Ensure ladder is the correct type for job
- Ensure ladder is on flat firm ground that will take the weight without the legs sinking
- Ensure user has 3 points of contact while on ladder

Crush injury from unsecured door

- Place a 2 metre exclusion zone around the area under the door while it is unsecured
- Do not move under a door while it is on the door support (or ladder)
- Follow the installation instructions

Garage Door

- Fit door support (or ladder) snugly under door before removing bracket
- Ensure door support (or ladder) is on flat ground
- Examine the door installation, in particular, springs and mountings for signs of wear, damage and imbalance

Entanglement

- The garage door must be well balanced. Sticking or binding doors must be repaired by a Auto Openers Accredited Dealer or other qualified tradesperson prior to installation of the opener
- Remove or disengage all garage door locks and mechanisms prior to installation of the opener.
- Never plug in and operate opener prior to installation
- Keep hands and loose clothing clear of door and guides at all times.

Entrapment under operating door

- DO NOT operate the opener unless the garage door is in full view and free from objects such as cars and children/people. Make sure that the door has finished moving before entering or leaving the garage.
- In order for the opener to sense an object obstructing the doorway, some force must be exerted on the object. As a result the object, door and/or person may suffer minor damage or injury.
- Ensure the garage door is in good working order by undertaking regular servicing
- Install the optional wall transmitter in a location where the garage door is visible, but out of the reach of children at a height of at least 1.5m
- Photo Electric beams must be installed if the closing force at the bottom edge of the door exceeds 400N (40kg)

Kit Contents



1



3

- 1. AODM Door Master Powerhead
- 2. 3x AOTX Keyring Remote Controls

3. AOVC Remote Control Holder



4

4. U-Bolt & Saddle

5. Pair of Extension Tines



2

6. Door Weight Bar & Fixings

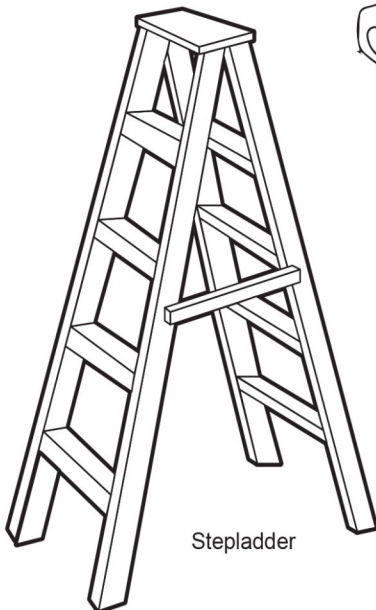


5

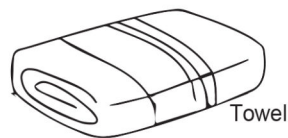


6

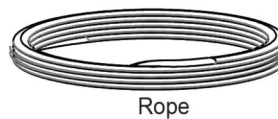
Tools Required



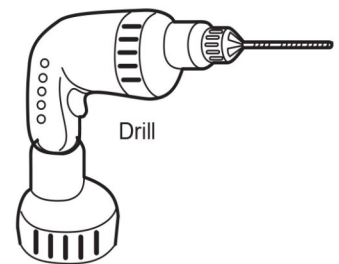
Stepladder



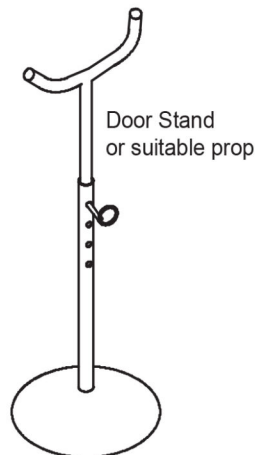
Towel



Rope



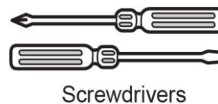
Drill



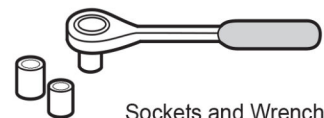
Door Stand or suitable prop



Self-tapping Screws and Washers (M10 x 32mm)



Screwdrivers



Sockets and Wrench



Pencil



Adjustable End Wrench

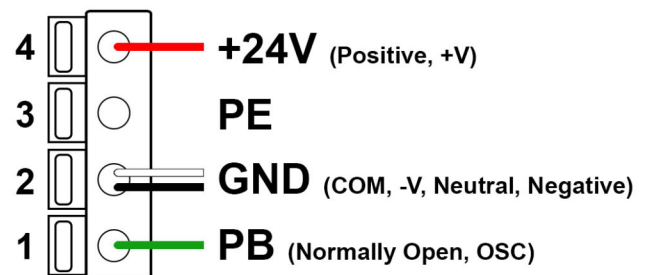
Control Panel & Terminal Block

Control Panel Button	Button Function
SET	Push and hold to cycle through menu options Used to confirm selections during setup
CODE	Used to program or delete remote controls
UP	Primarily used to set upper Door Limits Also used in selection of menu options
DOWN	Primarily used to set bottom Door Limits Also used in selection of menu options
K	Press to make the door Open, Stop or Close.
Red Push Button (Bottom of Opener)	Press to make the door Open, Stop or Close.



Doormaster / RM600

Green terminal block can be removed to make wiring in accessories easier & safer. Typical wiring for an external receiver can be seen below.



1. Testing Your Door

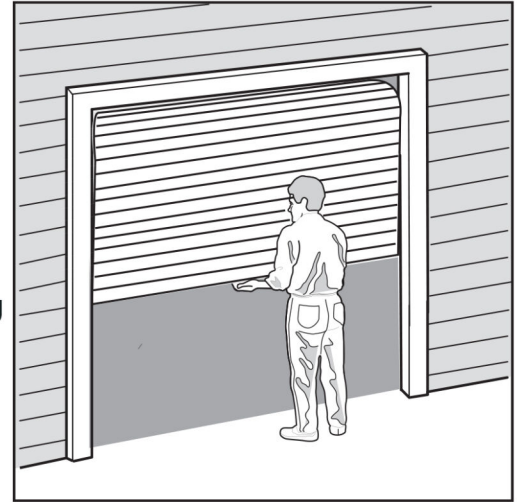
Before starting the installation process, complete the following test to ensure your door is well balanced and is not sticking or binding when in motion.

Disable all locks and remove any ropes connected to the garage door

Lift the door to halfway, then release it. The door should remain spring balanced.

Raise and lower the door to determine if there are any sticking / binding points. The absolute maximum allowable to raise or lower the door in any position is 20 kgs.

If your door does not hold in place or you find sticking / binding points, call an Auto Openers Accredited Dealer before installing the opener.

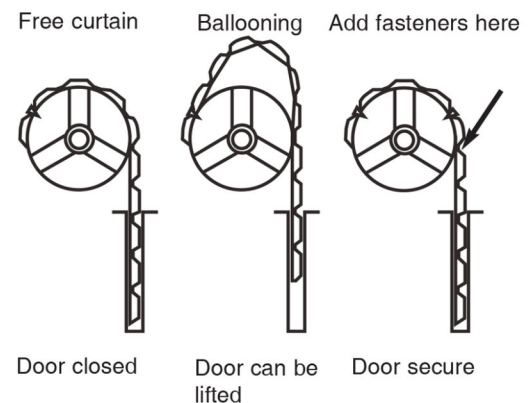


2. Pinning Your Door's Curtain

A ballooning door may delay the safety reversal response, compromise garage door security and may cause damage to the door.

To remedy any ballooning, locate where the curtain leaves the roll. Mark this location on the curtain.

After determining the correct fastener location as shown, lift the door approximately half a turn from the closed position to allow access for securing the screws. Insert the self tapping metal screws as seen on Page 4 of this manual, under "Tools Required".



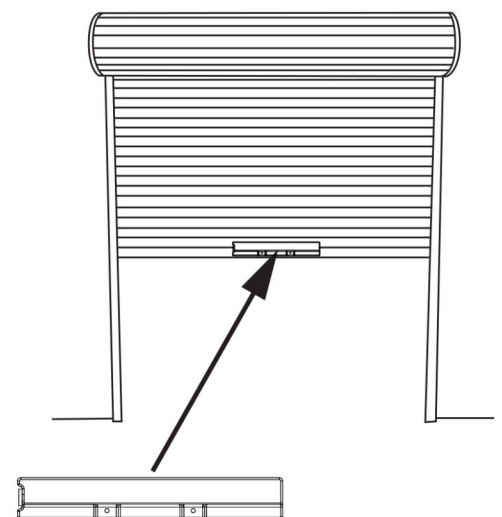
3. Attaching the Weight Bar

If the door has a lifting handle, remove the handle & fixings and replace with the weight bar. If you do not have a handle, follow the below instructions.

Use a marker pen to mark the two hole positions through the weight bar

Drill two 5.5mm holes through the two marked position, then place the weight bar on the inside of the door.

Use the fixings provided to fasten the weight bar in the centre as shown.



4. Installation Site & Side Room Requirements

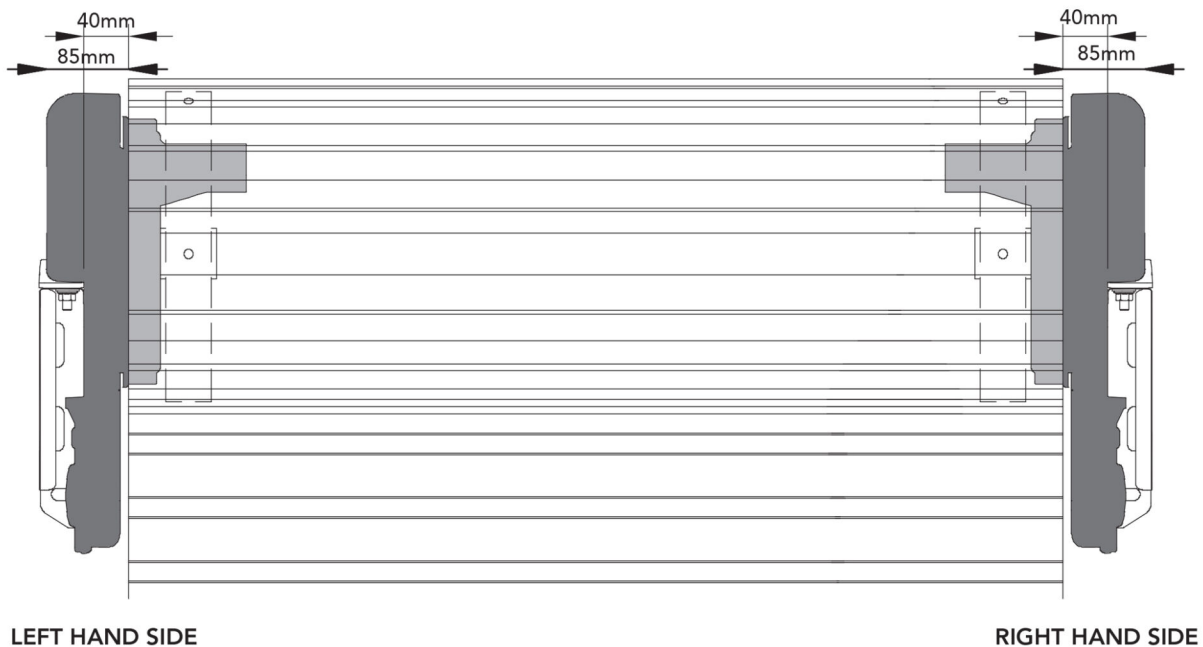
When installing the opener, ensure it will be located in a dry place completely protected from weather. Moisture and corrosion is not covered by warranty.

The opener is factory set to be installed on the Right Hand Side (RHS), but is also capable of being installed on the Left Hand Side (LHS) of your roller door.

- For LEFT HAND SIDE installation, press and hold the SET button until the LED display shows '5', then release.
- Using the UP & DOWN buttons, select "1" for LHS operation, or "2" for RHS operation. Press SET to confirm

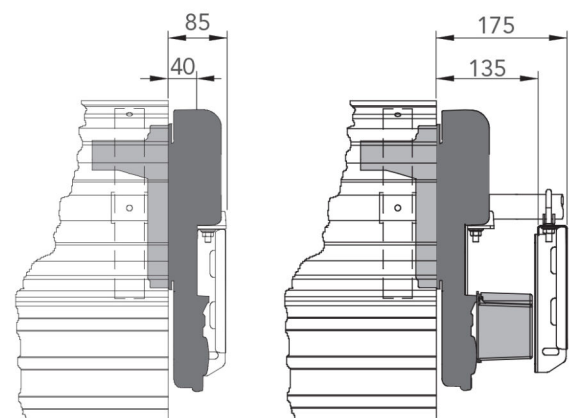
The opener requires a properly earthed 3 pin, single phase power within an arms length of the door . The minimum sideroom requirement for the opener is 40mm from the edge of the door to the inside of the door bracket and 85mm to the wall.

This opener cannot be installed on a Door Axle that exceeds 35mm in diameter.



The minimum sideroom required from the edge of the door curtain is 40mm to the inside of the door bracket and 85mm to the wall (as pictured).

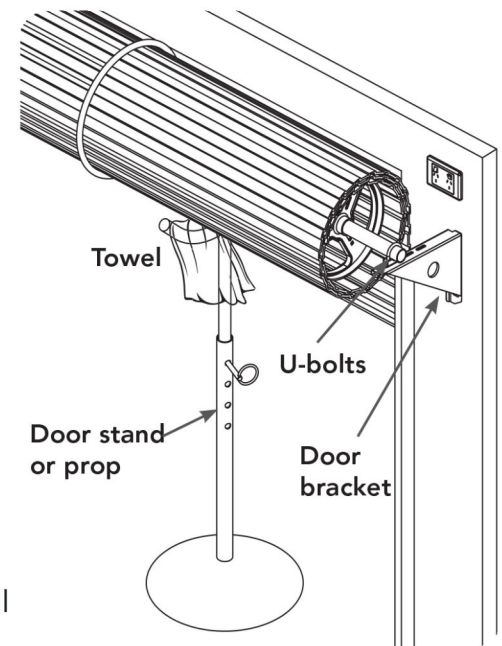
If a battery backup is mounted to the rear of the opener, allow at least 135mm to the inside of the door bracket and 175mm to the wall (as pictured).



WARNING! A portable power generator is not recommended due to spikes, surges and fluctuations in the supply.

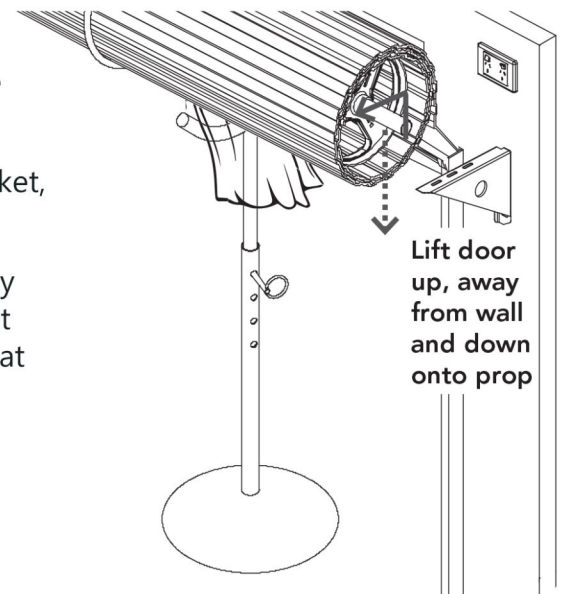
5. Preparing the Door for Opener Installation

- At the end opposite to where the opener is going to be installed, ensure the U-Bolt which holds the door axle to the bracket is securely fastened. Failure to do so can result in the stored energy of the springs to be suddenly released.
- Open the door completely and tie the rope around the door roll. Do not tie too tight as damage to the curtain can occur. This will stop the door from unrolling when taken off the bracket.
- At the end where the opener will be installed, support the door with a door stand or suitable prop, with a towel placed as shown to prevent the door curtain becoming damaged.
- At the end where the opener will be installed, mark the position of the U-Bolt in the door bracket and the position of the door bracket on the wall to assist in re-assembling.



6. Raising the Door

- When in position, remove the U-Bolt (or bolts) and saddle from the door bracket.
- Lift the door up and away from the wall until clear of the door bracket, before lowering the door to rest on the door stand or prop.
- If there is limited ceiling space to lift the door, the door bracket may need to be removed. If this is required, when refitting the door bracket use the reference marks on the wall for correct position and ensure that it is secure to the wall and will support door.



7. Installing the Opener (YouTube Video Available)

- Remove the opener from the box
- Check the gear rotates freely by pulling the manual disengage handle (there will be a click). Then move the forks from side to side by hand.
- Slide the opener over the door axle and into the drum of the door. Push the opener in as far as possible without touching the curtain. Ensure that one of the door drum spokes slides between the openers drive tines.
- Raise the door off the door stand or suitable prop.
- Lift up and over the door bracket and use your reference marks on the door bracket to position the door.
- Refit the u-bolt and nuts, then tighten securely. You can now remove the safety rope and door stand or prop
- Connect power to a suitable power point, **do not turn on**. Secure the power cable away from moving objects.
- With the opener still disengaged, ensure that the door moves freely without rubbing on the opener.
- Once satisfied with the doors motion, move the door into the closed position and re-engage the opener. You can now turn the power on to the opener.

8. Setting The Door Limits

Before starting this process, make sure your opener is engaged, turned on and the door is in closed position. Keep the opening clear during the entire process.

- Before proceeding, ensure drive direction has been set (Point 4)

- Disengage the opener and open the door until it hits the upper door stop.

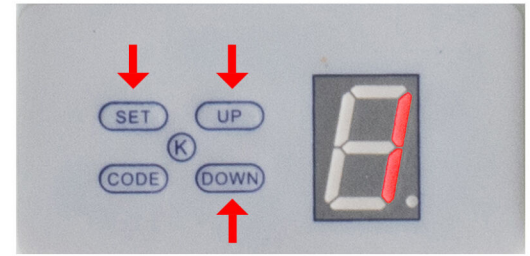
- Lower the door until it touches the ground. Re-engage the opener.

- Press and hold the 'SET' button until the display shows "1" (as shown) then release.

- Using the "UP" and "DOWN" buttons, bring the opener to the upper door limit. You can fine tune the position by tapping the buttons to 'inch' the door position. Press "SET" to confirm. The display now shows "2".

- Again, using the "UP" and "DOWN" buttons, bring the opener to the lower door limit. Press SET to confirm.

- The opener will now automatically open and close to test the force required. Do not touch the opener during this process.



AODM Door Master Button Panel Layout

TIP: For smooth operation, set the door 20mm from the top and just touching the bottom. For safety, you will be unable to program remote controls into your opener until you have set the door limits.

9. Remote Controls Programming & Deletion

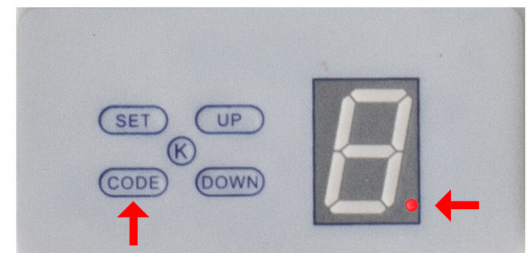
To program a remote control into your opener:

- Press and hold the "CODE" button until the Coding LED illuminates, then let go (Circular Coding LED shown in the image)

- Press and hold a button on your remote control for two second, then let go. The Coding LED will extinguish.

- Press and hold the same button on your remote control. The Coding LED will begin to flash and the opener will beep, signifying your remote control has been successfully programmed in.

- Test the operation of your remote control!

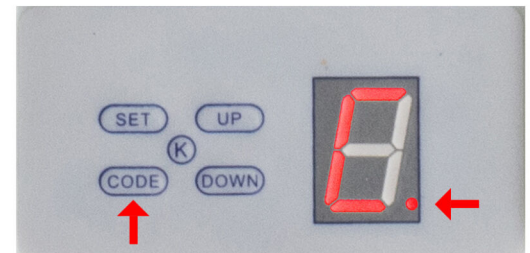


AODM Coding LED For Programming Remotes

To delete all remote controls from your opener:

- Press and hold the "CODE" button. The Coding LED will flash 8 times, then "C" will appear on the display and the opener will beep.

- Test to ensure your remote control no longer operates the opener.



AODM - Remote Deletion Confirmation

9. Safety Testing

The Safety Obstruction Force is calculated automatically during setup, however, for safety you are required to test the Obstruction Detection.

- Place a piece of timber or similarly hard object (approx 40mm high) on the floor directly under the door
- Active the opener using either your remote control or the "K" button. The opener should strike the object and reopen.

If the door is closing and unable to re-open when obstructed, discontinue use immediately and contact Auto Openers immediately on 1300 42 88 66. Do not use a door with faulty obstruction sensing.

10. Adjusting the Safety Obstruction Force

- Press and hold "SET" until the LED displays "3", then release.
- Using the "UP" and "DOWN" buttons, you can adjust the Force setting. The lowest setting is 1 and the maximum is 9. By default, the opener is set to 3.
- To save your chosen setting, press "SET".

11. Motor Settings

Menu Option	Overview & Explanation
Door Limits Setting "1" Press and hold "SET"	Allows the user to set Door Limits, which tells the opener how high and how low the operate is allowed to drive
Force Safety Obstruction Setting "3" Press and hold "SET"	Allows the user to adjust the Force Safety Obstruction setting, which adjusts how sensitive the opener is to obstructions
Drive Direction Selection Setting "5" Press and hold "SET"	Allows the user to select drive direction for left or right hand installations.
Auto Close Setting "-" Press and hold "UP"	Allows the user to turn on & adjust timing for auto close. To turn off, adjust to "0". Max time is 9. PE Beams required.
PE Beam Activation Setting "11" Press and hold "DOWN"	Allows user to enable PE Beams. On setting 11, press "UP" for "H", then "SET" to confirm. To turn off, return to "11" and press "SET"

12. Common Troubleshooting

Symptom	Possible cause	Remedy
One remote control works but the other/s do not	Faulty remote control Faulty battery Remote/s may need to be programmed in	Replace remote control Replace battery Program remote/s
The opener is running but the door remains stationary	The opener is disengaged	Re-engage the opener using the manual pull handle. Push up to re-engage.
The opener only operates a few inches at a time	The opener has not had door limits set A brownout has caused the opener to forget it's limits	Reset the door limits
The opener fails to reverse when obstructed	Force setting is too high	Lower the Force Setting and test safety reverse again If problems persist call 1300 42 88 66
The opener stops when opening	Force setting is too low	Raise the Force Setting and test door opening / safety reverse If problems persist call 1300 42 88 66
The opener closes by itself	Auto Close is turn on	Turn off the Auto Close (11. Motor Settings)
The opener refuses to close	PE Beam setting is turned on	Disable PE Beams on opener (11. Motor Settings)

13. Limited Warranty Conditions

Auto Openers AODM Door Master

We are committed to manufacturing and supplying high quality goods. As part of this commitment, we seek to provide reliable service and support for our doors and are please to provide you with this Limited Warranty.

The benefits given to you under this Limited Warranty are in addition to any rights and remedies that you may have under Australian or New Zealand consumer protection laws. Our goods come with guarantees that cannot be excluded under the Australia Consumer law or New Zealand Consumer Guarantees Act 1993. You are entitled to a replacement or refund for a major failure and for compensation for any other reasonably foreseeable loss or damage. You are also entitled to have the goods repaired or replaced if the goods fail to be of an acceptable quality and the failure does not amount to a major failure.

What Is Covered and for How Long?

Auto Openers warrants to the original purchaser of the Auto Openers Door Master (Unit) that all parts of the unit, other than remote control transmitters, battery backup units, accessories, LED modules and batteries, are free from defects in materials and workmanship for a period of 60 months from the date of purchase where installed by a home owner (not an Auto Openers Accredited Dealer). When installed by an Auto Openers Accredited Dealer, this unit is warranted for a period of 120 months (10 years). This unit must be installed in a residential premise with a residential specified garage door that is designed for the sole purpose of a single family dwelling.

Auto Openers warrants that the remote controls (AOTX) included with the unit are free from defects in materials and workmanship for a period of 24 months from the date of purchase and all other accessories included with the unit are free from defects and materials for a period of 12 months.

What Is Not Covered?

Batteries and LED light modules are not covered. Travel costs incurred by a Auto Openers Accredited Dealer or the Professional Dealer in either travelling to or from the installation site. These costs will be at the purchasers expense. Additional costs incurred by a Auto Openers Accredited Dealer or the Professional Dealer in obtaining access where the unit is not readily accessible. These costs will be at the purchasers expense.

Warranty Conditions

It is a condition of this Auto Openers Limited Warranty that the unit is sold and serviced by an Auto Openers Accredited Dealer. An opener sold by a non-Accredited Dealer is not covered under this Limited Warranty.

If the motor is installed by any person other than an Auto Openers Accredited Dealer, a 5 year warranty will apply, subject to warranty conditions.

If installed by an Auto Openers Accredited Dealer, a 10 year warranty will apply subject to warranty conditions.

It is also a condition of this Limited Warranty that for the operating life of the Unit:

- (a) The garage door is spring balanced, is operable by hand and opens and closes with no more than a maximum of 20kg's of lifting weight;
- (b) The garage door and opener is professionally maintained and serviced by an Auto Openers Accredited Dealer within 12 months of installation, then every 12 months thereafter such that the spring balanced door operates to manufacturer specifications. If your door binds, sticks, or is out of balance, then it must not be used until serviced by a Auto Openers Accredited Dealer. The garage door service fee will be at the purchaser's expense.
- (c) The warranty is registered by completing the online form found at <http://autoopeners.com.au/warranty-registration>
- (d) You retain your sales docket or invoice as proof of purchase.

Exclusions - What Voids the Warranty

This warranty does not cover the following:

- (a) Blown fuses, electrical surges, power surges or power spikes or faulty or unsuitable electrical wiring or structures to which the Unit is affixed;
- (b) Maximum operating time exceeding 1 minute in 10 minutes;
- (c) The manual operating (opening and closing) force of the door by hand exceeding 20kg;
- (d) Door weight exceeding the recommended weight for the Unit;
- (e) The door used with the Unit not being in safe working order or condition; or
- (f) Radio or electrical interference or lack of availability of signal.
- (g) Accidental, deliberate or negligent damage, including impact
- (h) Faulty installation by third party,
- (i) Lack of proper maintenance, service or care of the Unit or servicing by a person not appropriately qualified to do so;
- (j) PCB board failure when failure is determined by Auto Openers to not be a manufacturing fault (power spike, brownout, water damage etc)
- (k) Water damage through direct or indirect exposure, including condensation.

Making A Claim

The following steps must be follow to make a claim under this warranty. To be entitled to claim under this warranty, the defect in the product must appear with the time frame stated in "Warranty Conditions".

- (a) Contact the Auto Openers Dealership from whom you purchased the product to make your claim. If purchased direct from Auto Openers, please call Auto Openers on 130 42 88 66.
- (b) If you are unsure from whom you made your purchase, please call Auto Openers and we will forward it to the Auto Openers Dealership.
- (c) You will need to provide proof of purchase, the opener model name, the date of installation, the name of the dealership purchased from as well as evidence of ongoing preventative maintenance as laid out in this warranty.
- (d) Following a claim made in accordance with this warranty, if Auto Openers confirms that the product failure is covered by this warranty, Auto Openers or an Auto Openers representative will replace the product at no cost to you.

Auto Openers Contact Details

Phone: 1300 42 88 66

Email: sales@autoopeners.com.au

website: www.autoopeners.com.au

