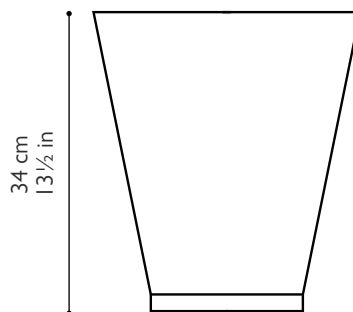
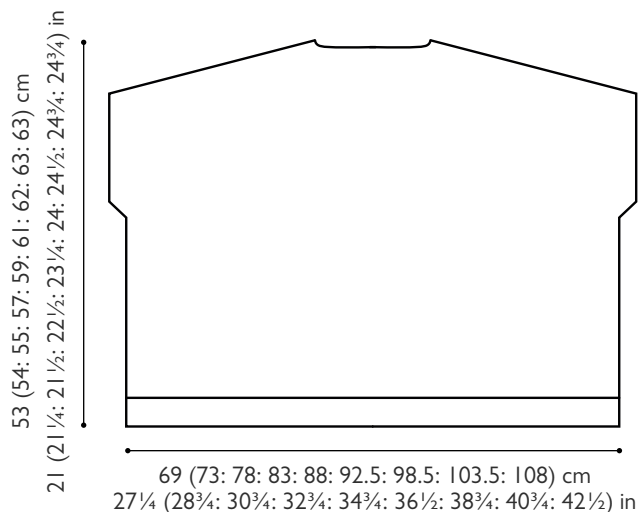


Quinn ●●●○



SIZE

To fit bust

71-76	81-86	91-97	102-107	112-117	122-127	132-137	142-147	152-157	cm
28-30	32-34	36-38	40-42	44-46	48-50	52-54	56-58	60-62	in

Actual bust measurement of garment

136	144	154	164	174	184	195	205	215	cm
53½	56½	60½	64½	68½	72½	77	80½	84½	in

YARN

Kid Classic

8	9	10	11	12	13	14	15	16	× 50gm
---	---	----	----	----	----	----	----	----	--------

(photographed in Champagne 898)

NEEDLES

4 mm (no 8) (US 6) circular needles, 40 and 80 cm / 16 and 32 in long

5 mm (no 6) (US 8) circular needles, 40 and 80 cm / 16 and 32 in long

Cable needle

TENSION

19 sts and 25 rows to 10 cm / 4 in measured over St st using 5mm (US 8) needles.

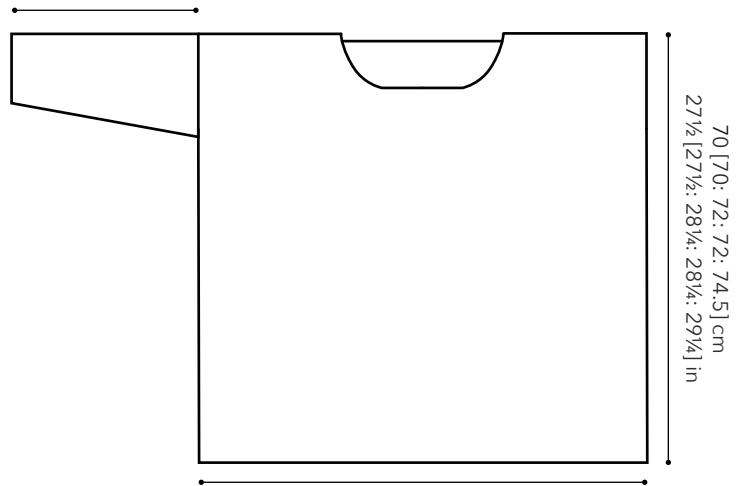
24½ sts and 29 rows to 10 cm / 4 in measured over Cable patt (blocked) using 5mm (US 8) needles.

Note: To create an accurate swatch for measuring tension, refer to swatch instructions at end of pattern. Use this swatch for measuring tension. Swatch uses approx 45 gm of yarn

Jaime ●●●○



29 [29: 30: 30: 31] cm
11½ [11½: 11¾: 11¾: 12¼] in



71 [80: 89: 98.5: 107.5] cm
28 [31½: 35: 38¾: 42¼] in

SIZE

To fit bust

71–81	86–97	102–117	122–137	142–157	cm
28–32	34–38	40–46	48–54	56–62	in

Actual bust measurement of garment

140	158	177	195	214	cm
55	62	69½	77	84½	in

YARN

Kid Classic

13 14 15 16 17 × 50gm

(photographed in Feather 828)

NEEDLES

4 mm (no 8) (US 6) circular needles, 40 and 80 cm / 16 and 32 in long

5 mm (no 6) (US 8) circular needles, 40 and 80 cm / 16 and 32 in long

Cable needle

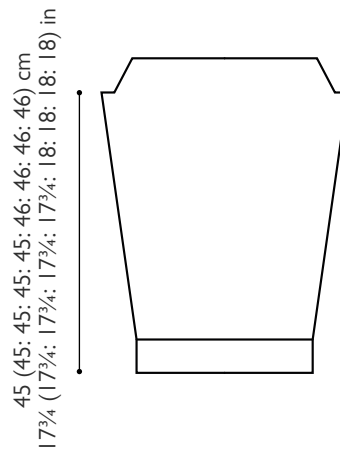
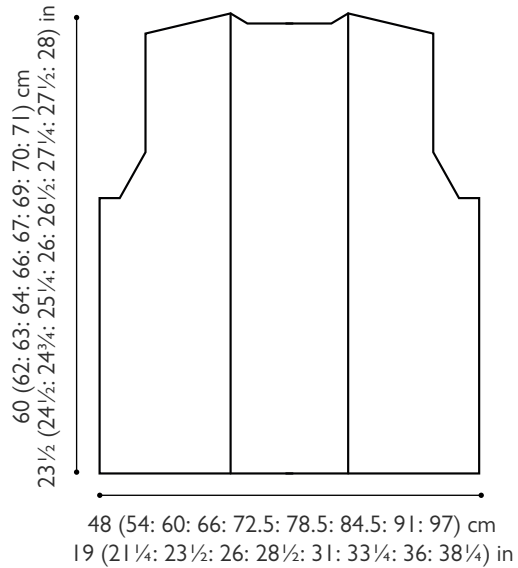
TENSION

19 sts and 25 rows to 10 cm / 4 in measured over St st using 5 mm (US 8) needles.

26 sts and 26 rows to 10 cm / 4 in measured over Cable patt (blocked) using 5 mm (US 8) needles.

Note: To create an accurate swatch for measuring tension, refer to swatch instructions at end of pattern. Use this swatch for measuring tension. Swatch uses approx. 45gm of yarn.

Tia ●●●○



SIZE

To fit bust

71-76	81-86	91-97	102-107	112-117	122-127	132-137	142-147	152-157	cm
28-30	32-34	36-38	40-42	44-46	48-50	52-54	56-58	60-62	in

Actual bust measurement of garment

96	108	120	132	145	157	169	182	194	cm
38	42½	47	52	57	62	66½	72	76½	in

YARN

Rowan Brushed Fleece

8	8	9	9	10	10	11	11	12	× 50gm
---	---	---	---	----	----	----	----	----	--------

(photographed in Tam 254)

NEEDLES

- 1 pair 5 mm (no 6) (US 8) needles
- 1 pair 6 mm (no 4) (US 10) needles
- Cable needle

TENSION

13 sts and 21 rows to 10 cm / 4 in measured over Dot Stitch patt (blocked) using 6 mm (US 10) needles.
38-st Cable Panel width: 14 cm / 5½ in

Harrie ●●○○



YARN

Brushed Fleece

5 × 50 gm

(photographed in Cairn 263)

NEEDLES

6 mm (no 4) (US 10) circular needle, 80 cm / 32 in long

Cable needle

TENSION

13 sts and 19 rnds to 10 cm / 4 in measured over St st using 6 mm (US 10) needles.

21 sts and 21 rnds to 10 cm / 4 in measured over cable patt (blocked) using 6 mm (US 10) needles.

FINISHED SIZE

Completed Cowl measures 93 cm / 36½ in circumference and 45.5 cm / 18 in deep.

EXTRAS

Stitch marker