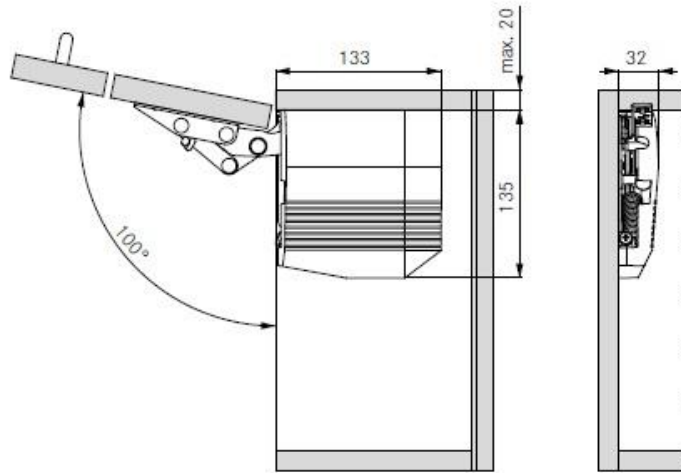
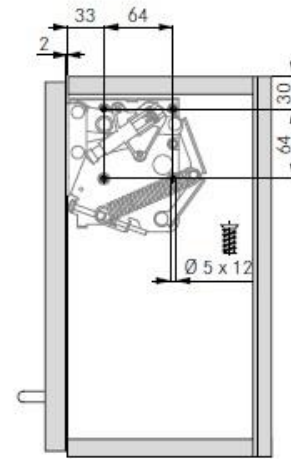


## Installation Instruction for: Kinvaro T-65

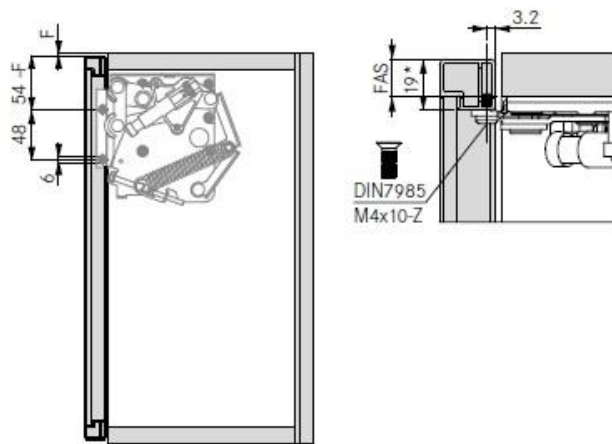
Required space



Side wall  
drilling positions

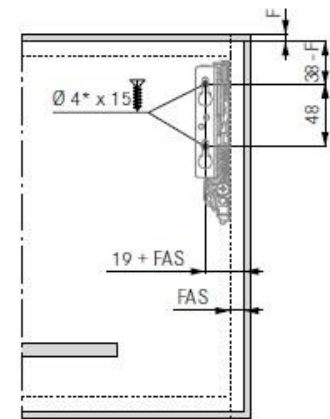


Front:  
installation for flaps with standard aluminium frame profiles (19 mm)



\* Standard aluminium frame profile (19 mm)

Front: installation for wooden and frame flaps  
(min. 45 mm width)



\* Pre-drilling required - Ø 2 mm