

### Control Panel Keys

	Adjust the desk upwards
	Adjust the desk downwards
	To set Height Preset, press the S button until the LED Display flashes then press Preset 1, 2, 3 to program preset.
	Height Preset 1
	Height Preset 2
	Height Preset 3
Reset	Press  for 5 seconds, the display will show 'RES' keep pressing the key until the legs move down to the lowest position.

### Protection mode (auto lock screen mode)

Hot	Over-heating protection	Alarms when continuously in motion for 2 minutes. Power back on and wait for at least 18 minutes before adjusting height again.
E10	Detection alarm	Alarms when motor sensor cannot be detected. Turn off power, check the connection of motor and control box, and then power back on.
E20	Overload protection	If alarm sounds when the desk is moving up, remove loads off the desk and try again. If it alarms when desk is moving down, turn off the power, remove loads off the desk and re-try.
E02	Rebound protection	Alarms when vibrated, collided or inclined during height adjustment. Check if there is anything in the way of desk motion. Then proceed to the reset the motor.
E32	Overvoltage alarm	It alarms when voltage is higher than anticipated value. Turn the power off, check the connection between power and control box. If no problem, power it back on.
E31	Undervoltage alarm	It alarms when voltage is lower than required value. Turn the power off, check the connection between power and control box. If no problem, power it back on.
E60	Step out alarm	It alarms when height difference between left leg and right leg exceeds the set value. Power off first. Check whether the left leg and the right leg are in the same height. If not, re-do Installation Step 3 to make them same height. Power it back on.
Breaking protection		It stops and enters protection state when motor cables or manual control cables are removed or disconnected accidentally; goes back to normal after it's reconnected and alarm is cleared.

### Engineering Mode

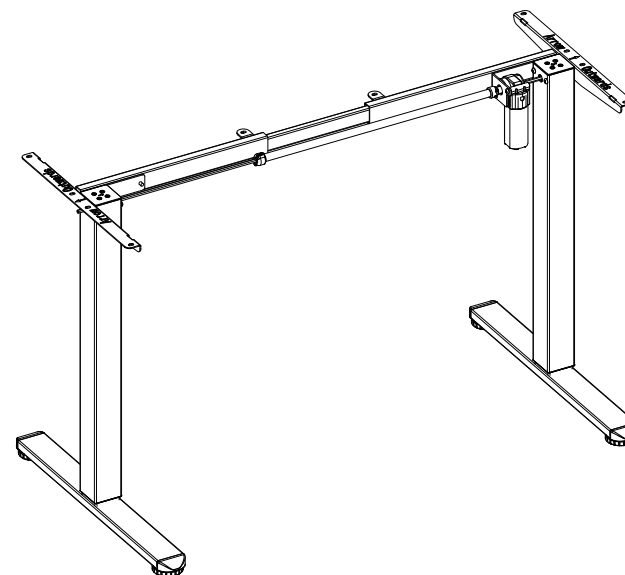
Change Displayed Unit (  )	Long press the  button, "S--"shows and flashes. Press  again and the display shows "Un". Press  to select. Press  or  to switch between "  " (metric) or "  " (imperial). Press  to save your choice.
Change Brightness (br)	Long press the  button, "S--"shows and flashes. Press  again and the display shows "Un". Press  or  to switch to "br". Press  to select. Press  or  to switch between Low (L), Normal (n) or High (H) brightness. Press  to save your choice.
Collision Force Detection (CF)	Long press the  button, "S--"shows and flashes. Press  again and the display shows "Un". Press  or  to switch to "CF". Press  to select. Press  or  to switch between "OFF", Low (L), Normal (n) or Heavy (H) collision force detection. Press  to save your choice.

# DURONIC

www.duronic.com



EN-INSTRUCTION MANUAL  
ES-MANUAL DE INSTRUCCIONES  
FR-MANUEL D'INSTRUCTIONS  
DE-BENUTZERHANDBUCH  
IT -MANUALE DI ISTRUZIONI



TM51 BK

TM51 WE

- Length Adjustment Range: 95-135cm
- Height Adjustment Range: 72-118cm
- 3-Level Height Memory Function



Power Input  
100V-240V



Speed  
20 mm/s



Motion Noise  
<55dB



Load Capability  
154 lbs / 70 kg

CAUTION: DO NOT EXCEED  
MAXIMUM LISTED WEIGHT  
CAPACITY.SERIOUS INJURY  
OR PROPERTY DAMAGE MAY  
OCCUR!

## ► DISCLAIMER - WARNING INFORMATION

WARNING:FAILURE TO READ,THOROUGHLY UNDERSTAND,AND FOLLOW ALL INSTRUCTIONS CAN RESULT IN SERIOUS PERSONAL INJURY,DAMAGE TO PERSONAL PROPERTY,OR VOIDING OF FACTORY WARRANTY!

It is the responsibility of the installer to ensure all components are properly assembled and installed using the instructions provided.If you do not understand these instructions or have any questions or concerns,please contact customer service.Do not attempt to install or assemble this product if the product or hardware is damaged or missing. In the event that replacement parts or hardware are needed, please contact Customer Service. International customers needing assistance should contact the Dealer from which they purchased the product.

## ► ESPAÑOL

ADVERTENCIA:NO LEER,ENTENDER CABALMENTE O SEGUIR TODAS LAS INSTRUCCIONES PUEDE DERIVAR EN LESIONES GRAVES,DAÑOS MATERIALES O LA NULIDAD DE LA GARANTIA OTORGADA POR EL FABRICANTE.

Es responsabilidad del instalador comprobar que todos los componentes estén correctamente ensamblados e instalados según las instrucciones provistas. Si usted no entiende estas instrucciones o si tiene dudas o preguntas, comuníquese con Atención al Cliente.

No instale ni ensamble el producto si éste o las piezas suministradas presentaran daños o si faltara algún elemento. Si necesita repuestos o piezas, comuníquese con Atención al Cliente.

Si reside en otro país, comuníquese con la tienda donde compró el producto.

## ► FRANÇAIS

ATTENTION:SI VOUS NE LISEZ,NI NE COMPRENEZ,NI NE SUIVEZ SOIGNEUSEMENT TOUTES CES INSTRUCTIONS,IL POURRAIT S' ENSUIVRE DES BLESSURES GRAVES,DES DOMMAGES MATÉRIELS OU L'ANNULATION DE LA GARANTIE!

L'installateur est responsable de s'assurer de l'exactitude de l'assemblage et de l'installation de toutes les composantes, conformément aux instructions fournies. Si vous ne comprenez pas ces instructions ou pour toute question ou problème, veuillez contacter le service à la clientèle.Si le produit est endommagé ou que des fixations sont manquantes ou endommagées,n'installez pas le produit.Si vous avez besoin de pièces ou de quincaillerie de rechange, veuillez contacter le Service à la clientèle Pour les clients internationaux, contactez le détaillant auprès duquel vous avez acheté le produit.

## ► DEUTSCH

WARNUNG: LESEN SIE DIESES HANDBUCH SORGFÄLTIG DURCH UND BEFOLGEN SIE DIE ANWEISUNGEN. EINE NICHTBEACHTUNG DERSELBEN KANN ZU SCHWEREN VERLETZUNGEN, SACHSCHADEN ODER ZUM ERLÖSCHEN DER WERKSGARANTIE FÜHREN!

Die Person, die die Montage vornimmt, hat sicherzustellen, dass alle Komponenten entsprechend den hierin bereitgestellten Anweisungen korrekt montiert und installiert werden. Sollten Sie diese Anweisungen nicht verstehen oder irgendwelche Fragen oder Zweifel diesbezüglich haben, kontaktieren Sie bitte unseren Kundendienst.

Versuchen Sie nicht, die Wandhalterung zu installieren oder montieren, wenn sie beschädigt ist oder ein Befestigungsteil fehlt. Bei Bedarf an Ersatz- oder Befestigungsteilen kontaktieren Sie bitte unseren Kundendienst.Kunden im Ausland sollten sich bei Bedarf an Hilfestellung an den Händler wenden, bei dem sie das Produkt erworben haben.

## ► ITALIANO



AVVERTENZA: LA MANCATA LETTURA, COMPRESIONE COMPLETA, OSSERVANZA DI TUTTE LE ISTRUZIONI PUÒ COMPORTARE GRAVI LESIONI PERSONALI, DANNI A COSE O INVALIDARE LA GARANZIA DI FABBRICA.

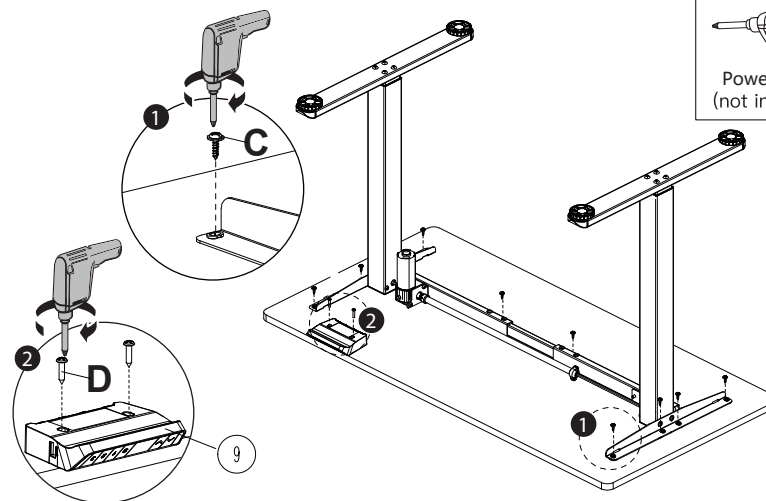
È responsabilità dell'installatore assicurare che tutti i componenti siano assemblati e installati correttamente, mediante l'utilizzo delle istruzioni a corredo. Nel caso in cui sorgessero incomprensioni in merito alle presenti istruzioni oppure per domande o problemi, si prega di contattare il servizio clienti al. Non tentare di installare o assemblare il prodotto se il prodotto stesso o i componenti risultano danneggiati o mancanti. Nel caso in cui fosse necessario sostituire parti o componenti, si prega di contattare il Servizio Clienti al

I Clienti internazionali che necessitano di assistenza possono rivolgersi al Rivenditore presso cui è stato acquistato il prodotto.

## Step 7

With another person, install a tabletop (Not Included) & Control Panel.

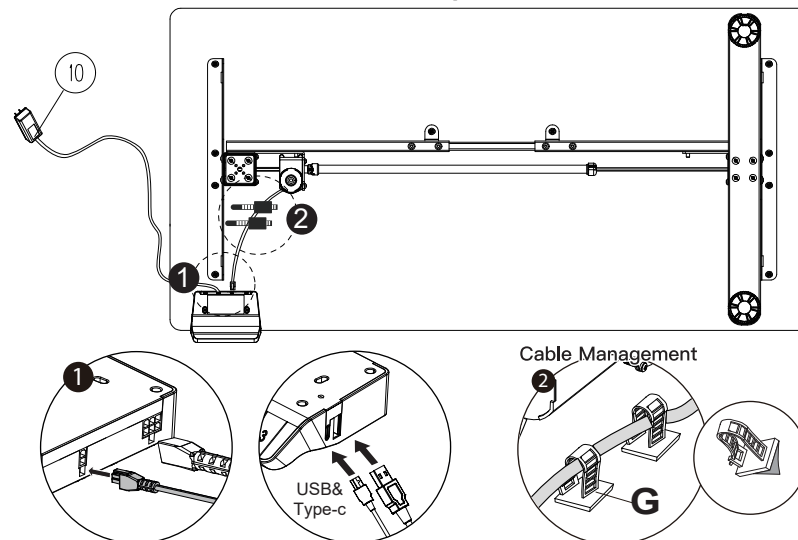
C	 M5×16mm(x10)
D	 M3.5×19mm(x2)



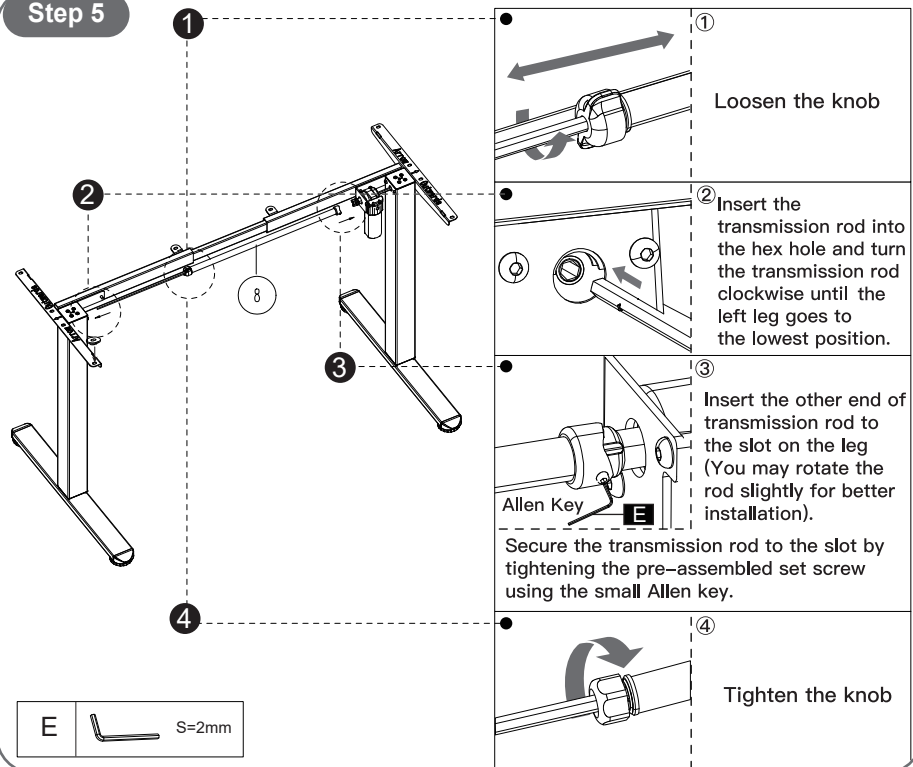
## Step 8

Connect the Control Panel to Right Lifting Column motor cable and Power Adapter cable.

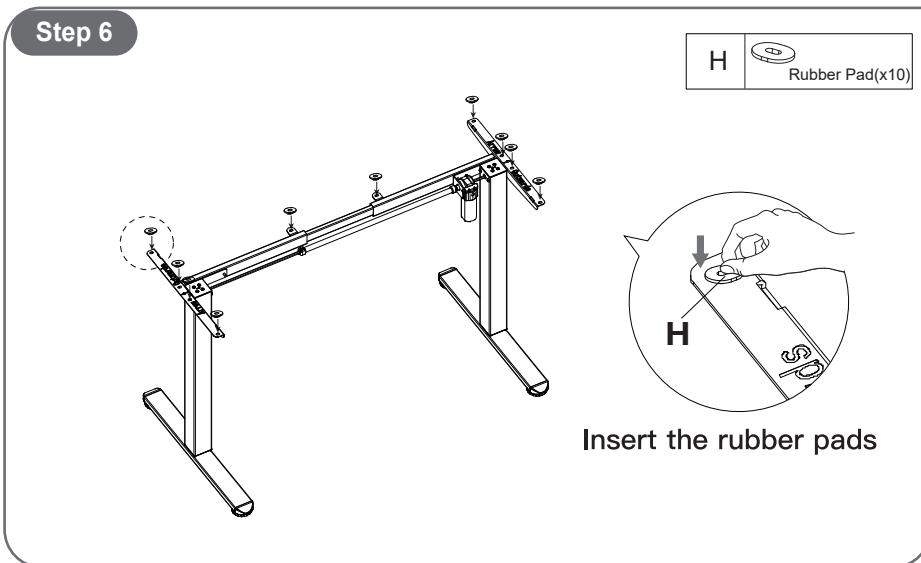
G	 Cable Clip (x2)
---	---



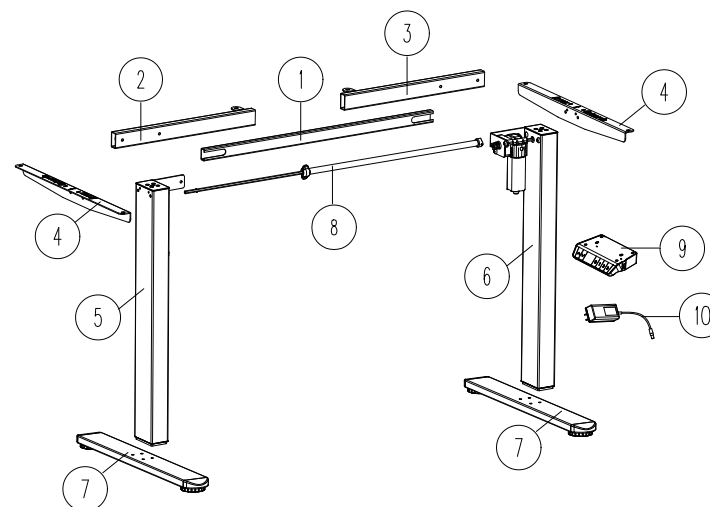
### Step 5



### Step 6



### CONTENTS



#### Desk Parts

1.	Crossbar		1pc
2.	Left Crossbar		1pc
3.	Right Crossbar		1pc
4.	Side Plate		2pcs
5.	Left Lifting Column		1pc
6.	Right Lifting Column		1pc
7.	Leg Base		2pcs
8.	Transmission Rod		1pc
9.	Control Panel		1pc
10.	Power Adapter		1pc

#### Hardware List



A	M6×35mmScrews		8pcs
B	M6×11mmScrews		12pcs
C	M5×16mmScrews		10pcs
D	M3.5×19mmScrews		2pcs
E	Allen Key S=2mm		1pc
F	Allen Key S=5mm		1pc
G	Cable Clip		2pcs
H	Rubber Pad		10pcs

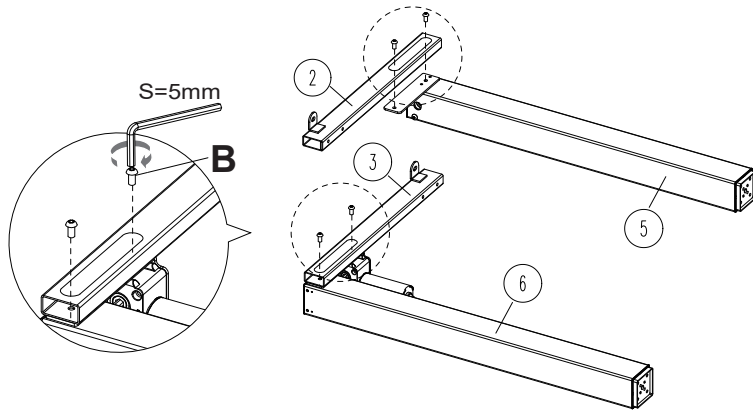
#### Spare Parts

	M6×35mm (x1)		M6×11mm (x2)
	M5×16mm (x2)		M3.5×19mm (x1)
	Rubber Pad (x2)		

**Step 1**



**Attach Left Crossbar and Right Crossbar to the Lifting Columns**

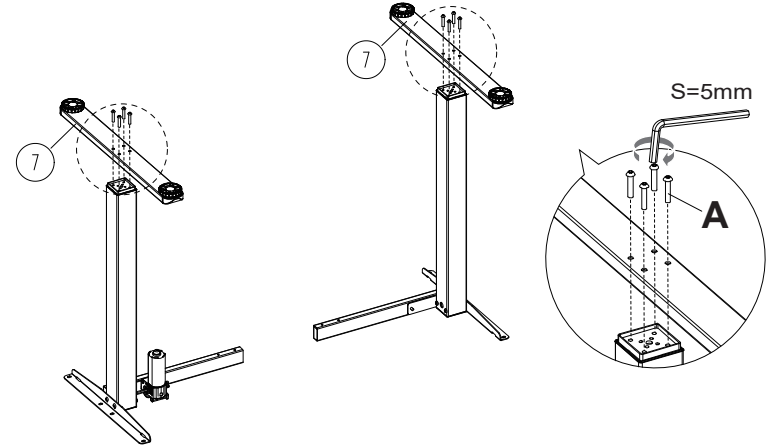
B	 M6×11mm(x4)
F	 S=5mm



**Step 3**



**Attach Leg Bases to the Lifting Columns**

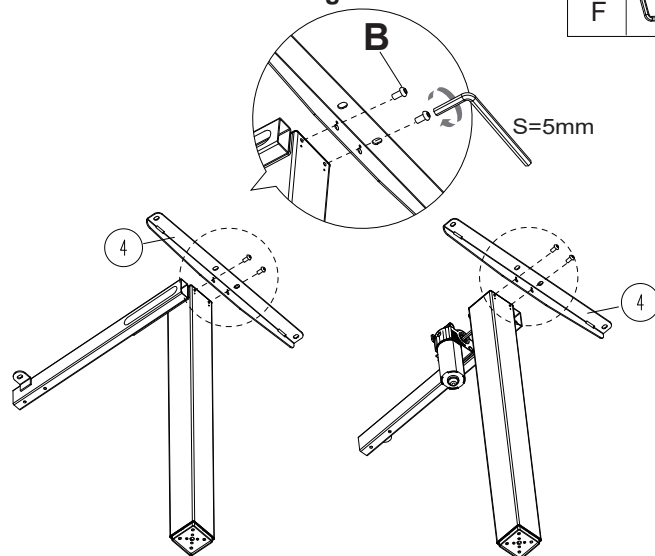
A	 M6×35mm(x8)
F	 S=5mm



**Step 2**



**Attach Side Plates to the Lifting Columns**

B	 M6×11mm(x4)
F	 S=5mm



**Step 4**

**Insert the Crossbar ① into Left Crossbar & Right Crossbar and tighten with screws.**

B	 M6×11mm(x4)
F	 S=5mm

