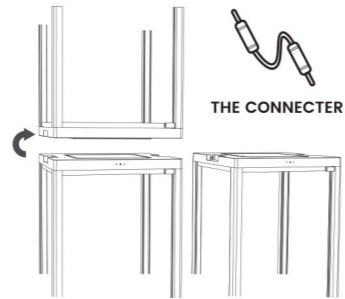


BOXES CONNECTION AND POWER SUPPLY

- o "CHAOS" Pro has three power sockets, which are located in front of the bottom left groove, in front of the bottom right groove, and behind the top left groove. All three sockets can be connected with power adapters and cables
- o "CHAOS" Pro completes the parallel connection by wiring up, down, left and right
- o The left and right parallel connection of the box is completed through the bottom slot, and the top side is open, which is only used for the box parallel connection



THE CONNECTER

- o There are two specifications of power adapters
 - 12V-1A power adapter can supports one 「CHAOS」PRO display box to use power
 - 12V-6A power adapter can supports six 「CHAOS」PRO display boxes to use

- o In order to ensure a safer and better product experience, please use the special power adapter provided by APEXTIME
- o This product can be supported by the power adapter with input voltage of 12V and maximum input current of 6A. Please do not use a power supply that exceeds the aforementioned voltage and current

PRECAUTIONS

- o Maximum Load
The maximum load of「CHAOS」Pro is 25kg
- o Maximum number of boxes connection:
The maximum number of boxes connection can not be more than the maximum number of boxes connection of the power adapter you choose

AFTER-SALES

- o Hardware quality problems, such as: lighting problems, remote control failure. Apextime will not be responsible for a one-month warranty, and the time is calculated after the player purchases and signs for the product
- o Apextime will not provide warranty for any man-made damage
- o Our company guarantees that there is no problem with the appearance and quality of the goods when the goods are shipped to the customers
- o Please check and accept the goods with the courier company in person, and sign for after confirming that there is no problem with the appearance. After signing for, all appearance problems, such as broken acrylic and broken glass, our company does not provide warranty
- o Please use the power adapter provided by Apextime. Apextime will not be responsible for any damage produced by using power adapter which is not officially provided by Apextime

ACKNOWLEDGEMENT

- o Thanks to the following seed users who participated in the APEXTIME "O'vigin" project, and thanks for their suggestions to "CHAOS"Pro
(In alphabetical order)

AJ, 爰炎霆锋, 安东尼, 肥熊爷, IRON桃子, king studio, Mike, OAHHAO, 蜗牛与黑犀牛, 郑志明

CONTACT US

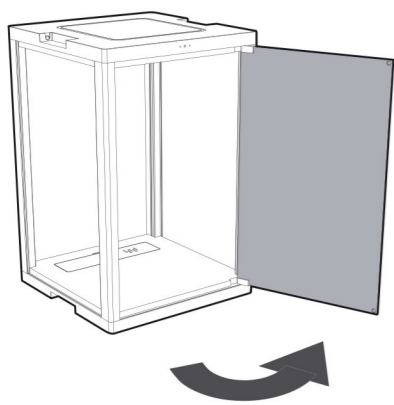
- o Customer Service WeChat: APEXTIME2020
- o Official email: contact@apextime.cn
- o WeChat public account: APEXTIME



After discussion and repeated tests by professional photographers and core players, "CHAOS" Pro pioneered the use of museum collection display effects and movie-level lighting settings in the display box, expressing the APEXTIME team's understanding to the museum-level display box

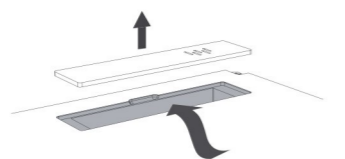


DOOR OPENING



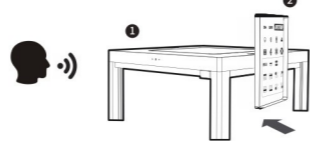
- o "CHAOS" Pro adopts a magnetic door structure
- o "CHAOS" Pro glass doors are dedicated glass for museum showcases
- o When opening the door, please grasp the handle and open it in the direction of the arrow. The maximum angle of the door shaft can be 120°
- o When opening the door, please don't apply too much force instantly to avoid the magnet falling off

ACCESSORY TANK



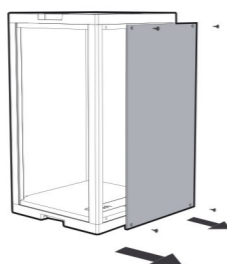
- o "CHAOS" Pro has an accessory tank structure, which can be used to place desiccant and mold accessories

LIGHTS CONTROL



- o The lights of Chaos Pro can be control by Remote control and voice. Remote control and voice control signal receiving position
- o The remote control can be attached to the right position of the display box

BACKPLANE REPLACEMENT

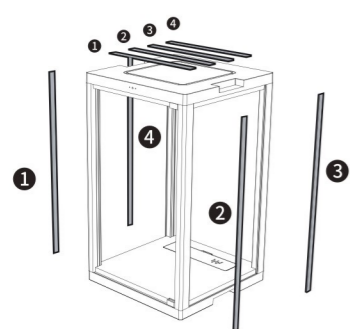


- o "CHAOS" Pro has replaceable scene structure, and the plate on the back of the display box can be replaced

RUBBER MAT

- o In order to increase the stability of the display box placement, there are rubber mats at the bottom of the display box. If you need to connect the display box on the top with the one on the bottom, please remove the rubber mat of the display box and keep the rubber mat of the bottom display box
- o Users who purchase a display box will give 4 extra rubber mats for replacement

LIGHT DESCRIPTION



- o "CHAOS" Pro is equipped with a total of four light, in the front and rear, left and right sides, and four lights on the top, which can be evoked by remote control/voice control

- o "CHAOS" Pro has 7 default light modes:
 - NORMAL MODE | HEAD CARVING MODE | DEEP MODE | HERO MODE | LIGHT MODE | DARK MODE | PLAYER (DIY) MODE

NORMAL MODE:
Normal mode mainly illuminates the model play in all directions, with specific lighting settings, so that the model play display is simple and beautiful

DEEP MODE:
The ultimate portrayal of the personality of the characters in the model, through the setting of the front and the dark, creating a deep and mysterious visual sense

LIGHT-COLOR MODE:
A light mode set up for light-color models, suitable for models with a lighter subject, adding a sense of hierarchy

PLAYER MODE:
In this mode, players can perform DIY lighting combinations. Each of the lights in the box has four settings. You can switch freely. You can combine more than 65,000 DIY light effects

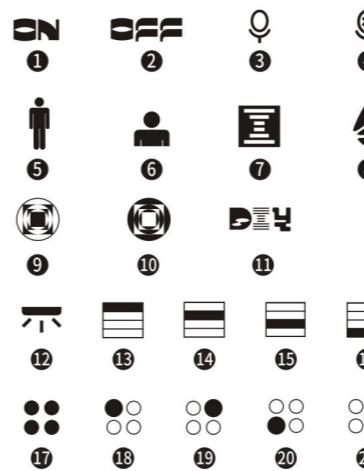
HEAD SCULPTING MODE:
Deeply portray the head sculpted face of Diwan! Delicate and special, highlighting the authenticity of the head sculpture and the details

HERO MODE:
The best lighting option for personal heroism in the simulation mode. The simulation mode in this mode can show the heroism to the greatest extent

COLOR MODE:
The lighting mode set up for the model play where the main color is brighter, and increase the sense of hierarchy

VOICE CONTROL MODE DESCRIPTION

- o The voice control mode has 2 settings: Power on (after the light is awakened, it will stay in the power-on mode) and Power off
- o In the voice control mode, the player can switch setting by sound. Each time a sound signal is received, the setting will be switched
- o "CHAOS" Pro can manually turn off the voice control mode through the remote control
- o The voice control mode is only activated by tapping the "Player mode" button in the remote control



1 Power on:
After clicking this button, it will first enter the default light arousal mode, and the light state will eventually stay in the power-on mode

2 Power off:
After clicking this button, no matter in any mode, all power sources will be turned off, and the voice control mode will be turned off at the same time

3 Voice control mode On:
After clicking this button, turn off the power and activate the voice activation mode

4 Voice control mode off:
Click this button to turn off the voice control mode without changing the current light status

5-10 Light mode:
Chaos Pro has six default light modes: 5-normal mode, 6-head carving mode, 7-deep mode, 8-hero mode, 9-light mode, 10-color

11 Player Mode:
In this mode, players can DIY lights by themselves, and buttons 12-21 will only be activated after the user enters the player mode mode

12 Top lights full control:
By tapping this button, you can control the luminance of the 4 top lights at the same time. This button has four settings: **LUMINANCE 1, LUMINANCE 2, LUMINANCE 3, OFF**

13-16 Top light control:
These buttons can control the luminance of the four top light separately, each button has four settings: **LUMINANCE 1, LUMINANCE 2, LUMINANCE 3, OFF**

Button 16 controls the first top light directly in front of the box
button 15 controls the second top light directly in front of the box
button 14 controls the third top light directly in front of the box

17 Side lights full control:
You can control the luminance of the 4 top lights at the same time. This button has four settings: **LUMINANCE 1, LUMINANCE 2, LUMINANCE 3, OFF**
button 13 controls the fourth top light directly in front of the box

18-21 Side light control:
These buttons can controls the luminance of the four side lights, and each button has four settings: **LUMINANCE 1, LUMINANCE 2, LUMINANCE 3, OFF**
Button 18 controls the left rear side light
Button 19 controls the right rear side light
Button 20 controls the left front side light
Button 21 controls the right front side light