

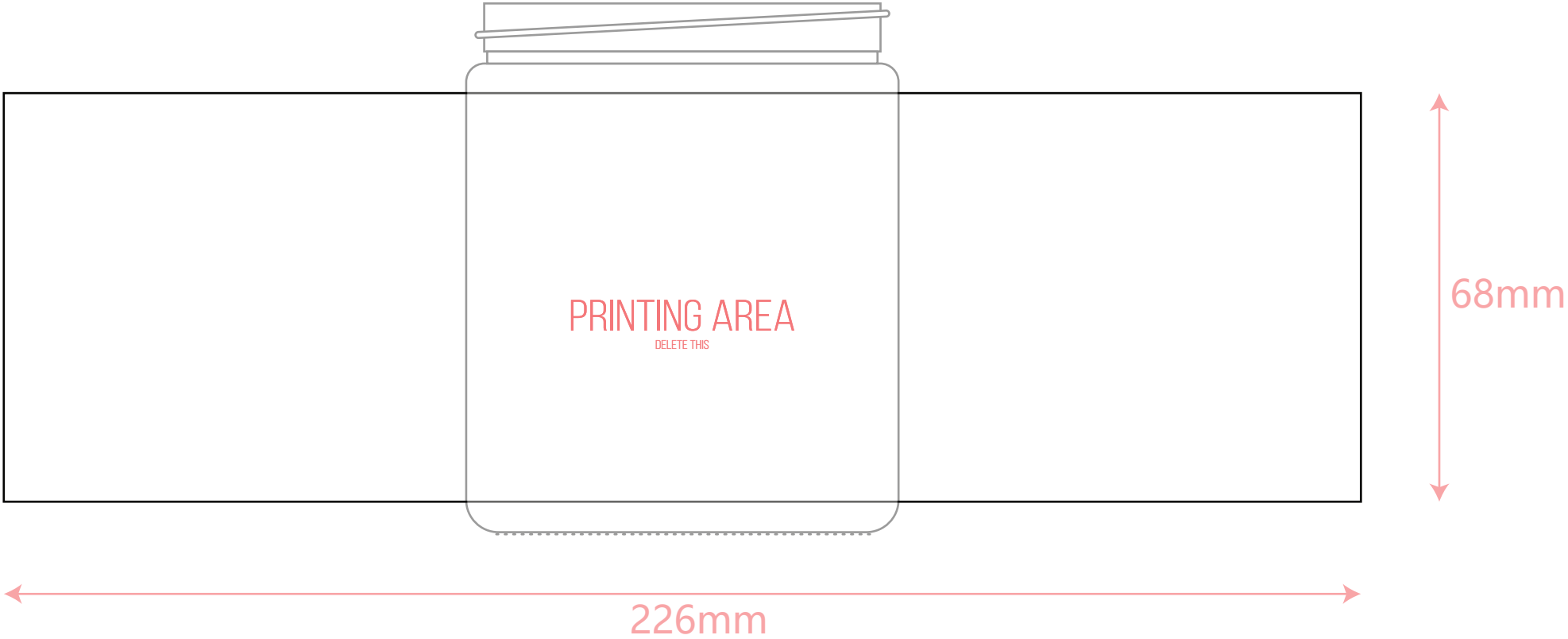
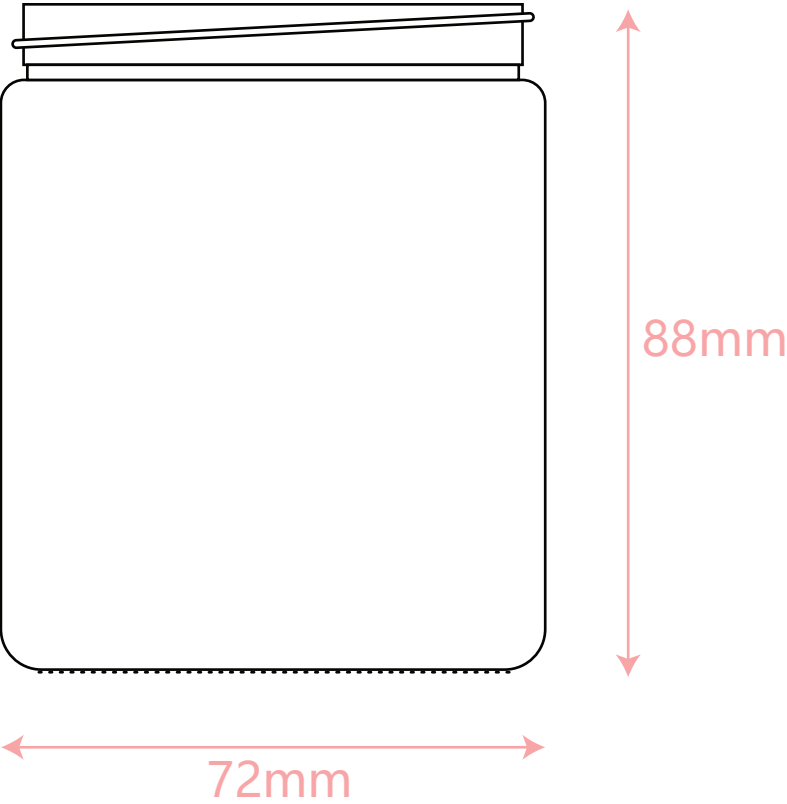
VESSEL DIELINE

ITEM: 7.2oz STRAIGHT SIDED JAR

VESSEL SIZE: 72MM X 88MM

CLIENT: CUSTOMER'S NAME

- PLEASE USE VECTOR GRAPHICS OR HIGH RESOLUTION IMAGES
- PUT CALL OUTS TO WHICH ELEMENTS ARE HAVING EFFECT/FINISH
- MINIMUM FONT SIZE IS 6PT



LABEL TYPE	PLEASE SELECT: <input type="checkbox"/> FOIL DECAL	<input type="checkbox"/> FULL PRINT
DECAL COLOR	PLEASE SELECT: <input type="checkbox"/> WHITE	<input type="checkbox"/> BLACK <input type="checkbox"/> ROSE <input type="checkbox"/> SILVER <input type="checkbox"/> GOLD