

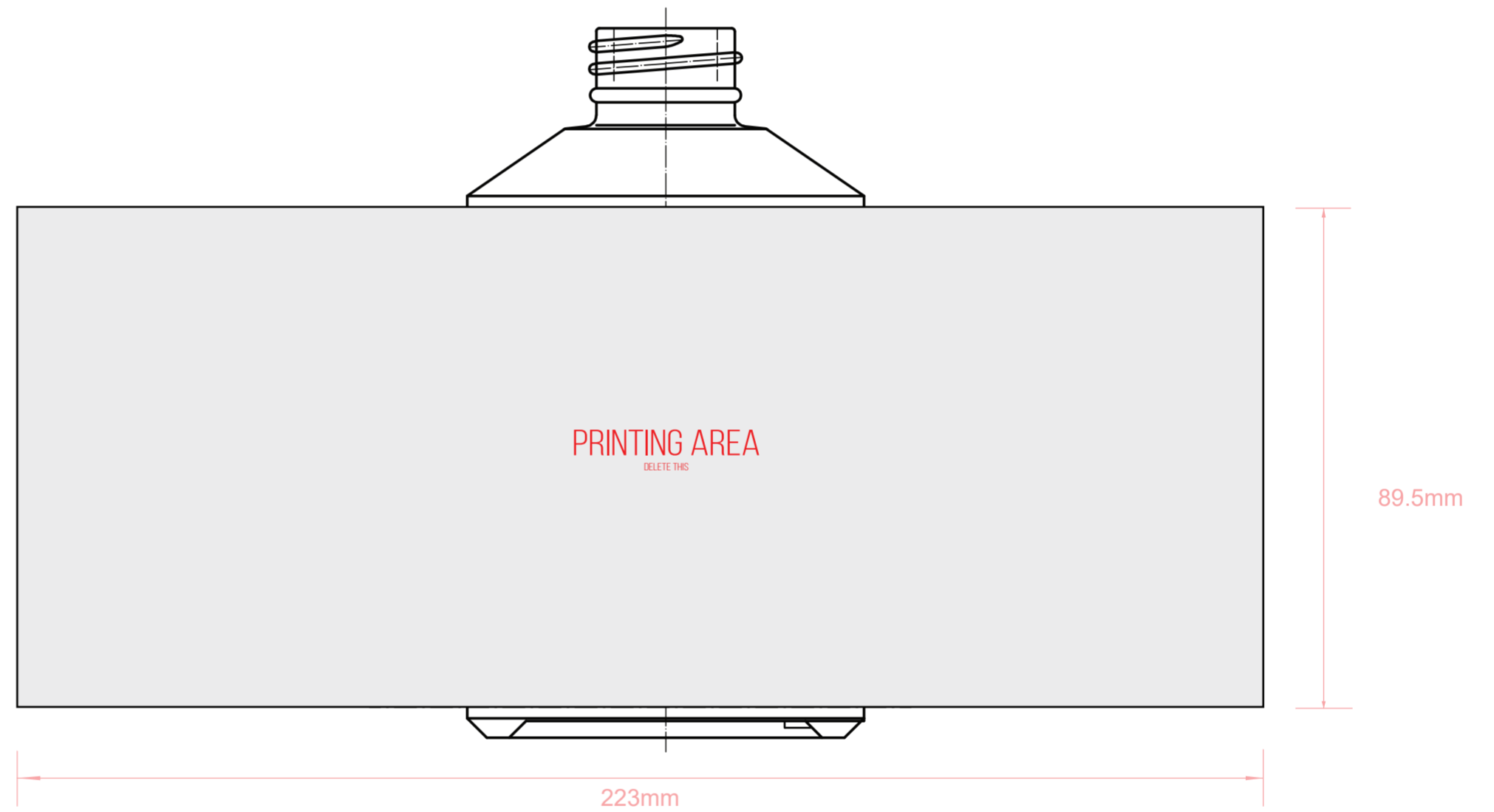
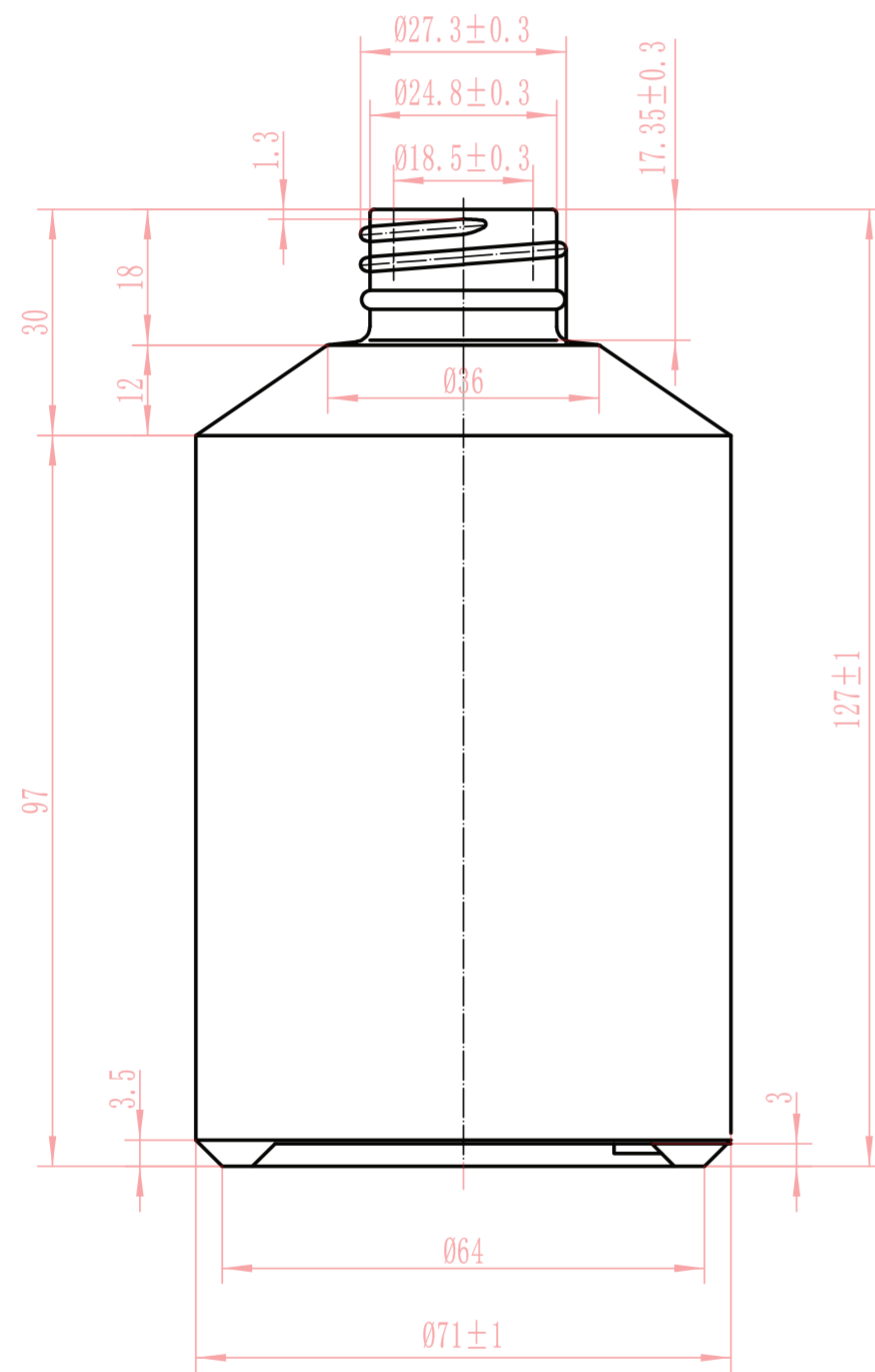
# BOTTLE DIELINE

**ITEM:** 300ML BOTTLE

**BOTTLE SIZE:** 71MM X 127MM

**CLIENT:** CUSTOMER'S NAME

- PLEASE USE VECTOR GRAPHICS OR HIGH RESOLUTION IMAGES
- PUT CALL OUTS TO WHICH ELEMENTS ARE HAVING EFFECT/FINISH
- MINIMUM FONT SIZE IS 6PT



Light 4 Life

**LABEL TYPE**

PLEASE SELECT:  FOIL DECAL

FULL PRINT

**DECAL COLOR**

PLEASE SELECT:  WHITE

BLACK

ROSE

SILVER

GOLD