

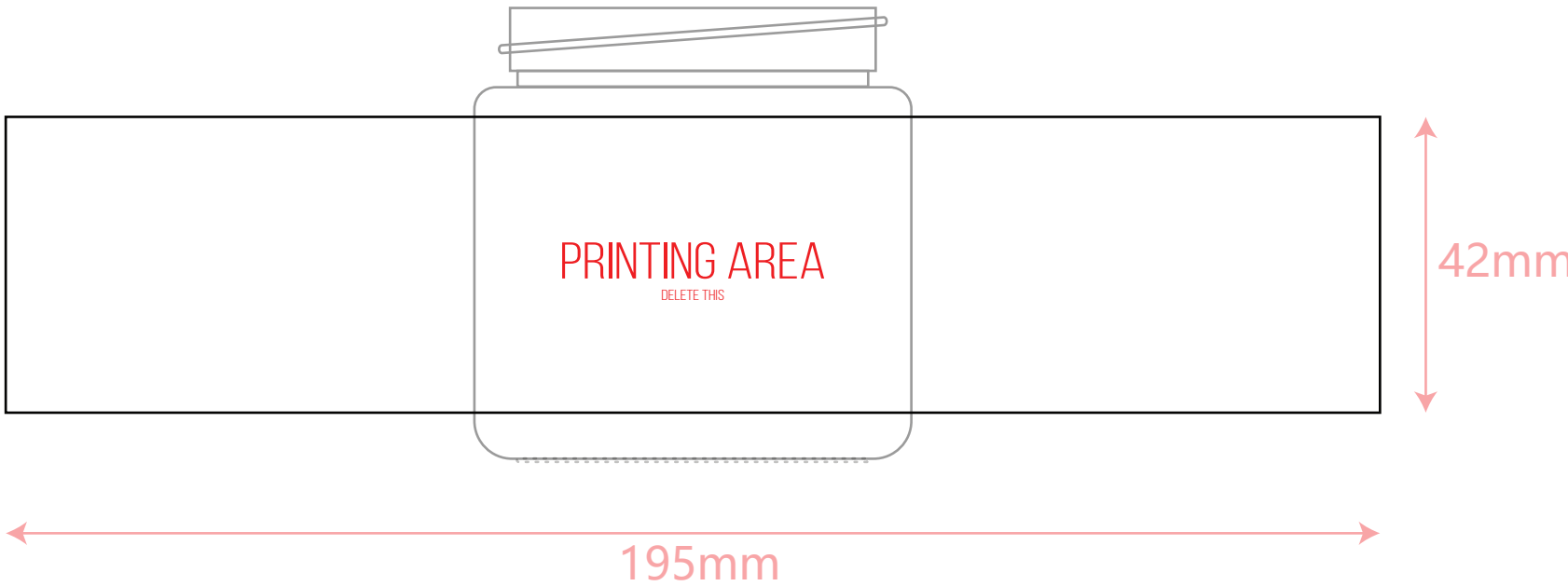
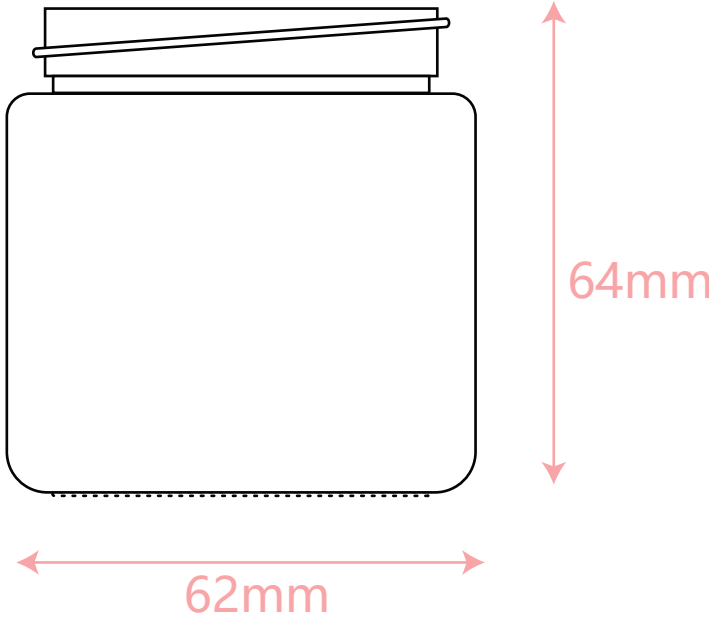
# VESSEL DIELINE

**ITEM:** 3.5oz STRAIGHT SIDED JAR

**VESSEL SIZE:** 62MM X 64MM

**CLIENT:** CUSTOMER'S NAME

- PLEASE USE VECTOR GRAPHICS OR HIGH RESOLUTION IMAGES
- PUT CALL OUTS TO WHICH ELEMENTS ARE HAVING EFFECT/FINISH
- MINIMUM FONT SIZE IS 6PT



**LABEL TYPE**

PLEASE SELECT:  FOIL DECAL  FULL PRINT

**DECAL COLOR**

PLEASE SELECT:  WHITE  BLACK  ROSE  SILVER  GOLD