

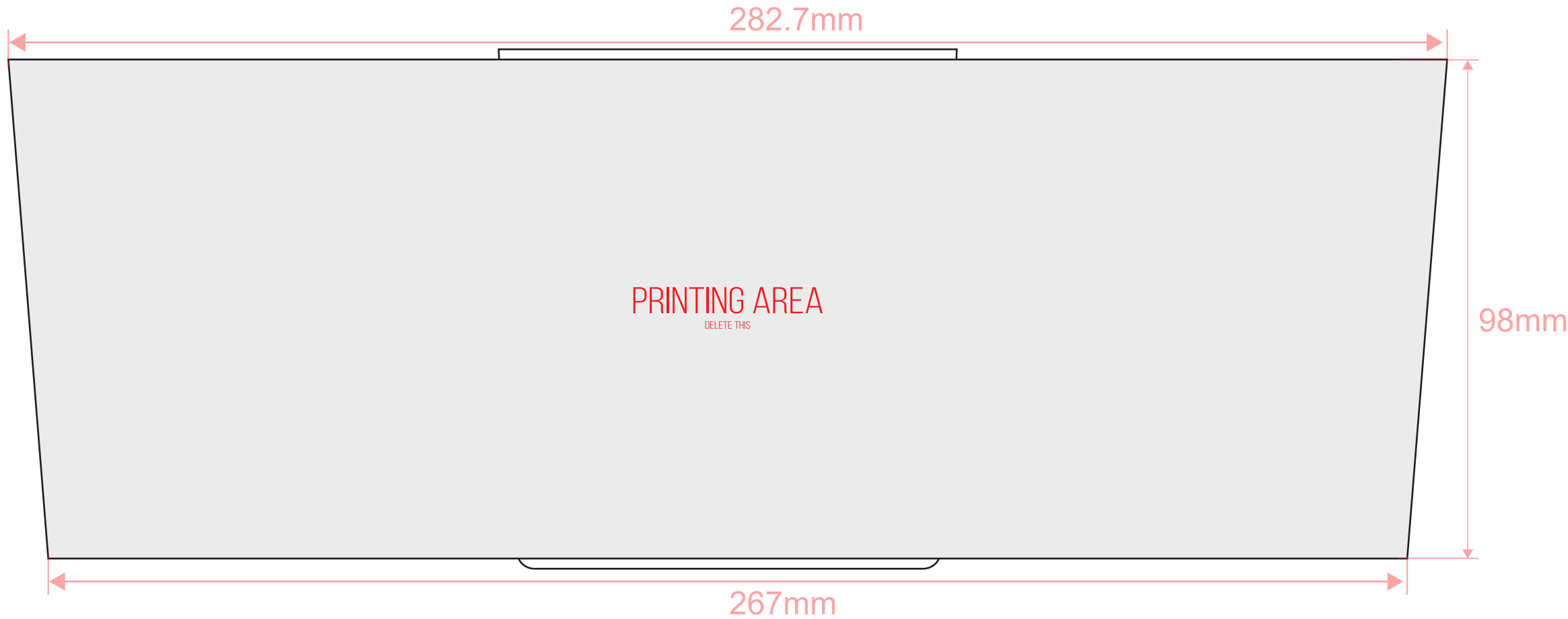
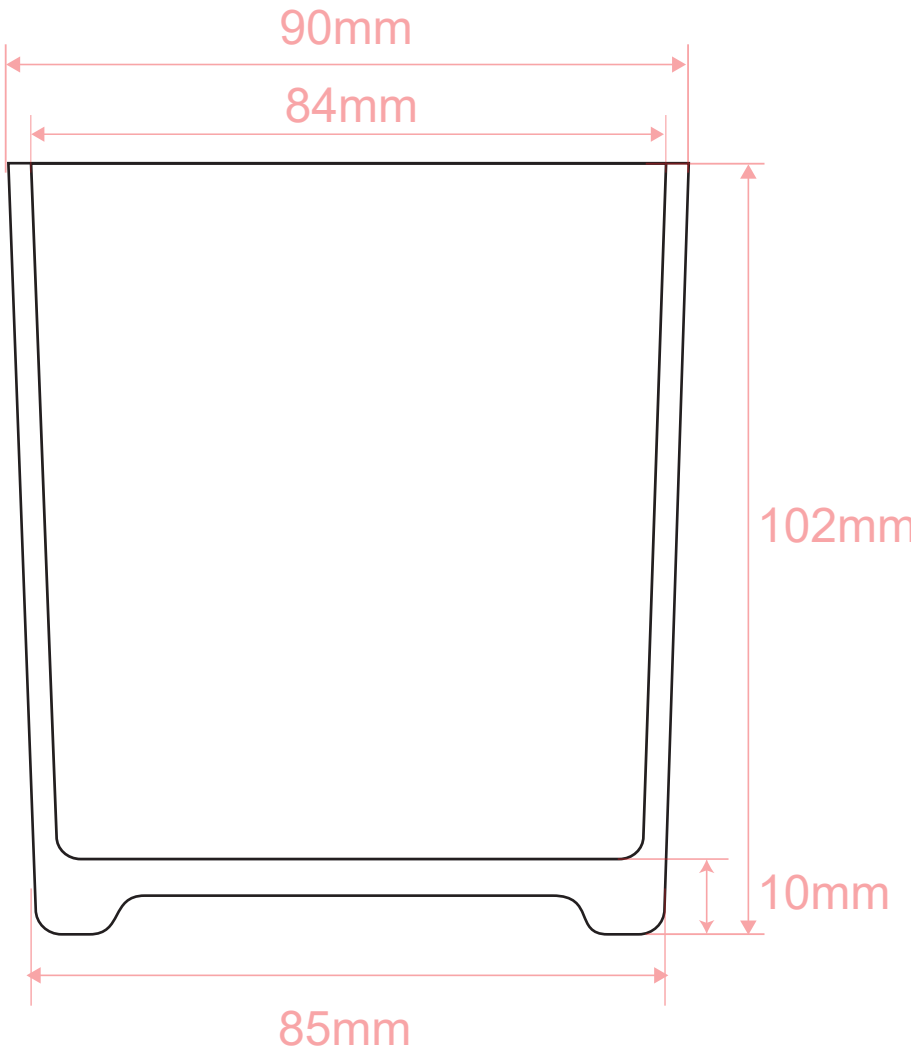
# VESSEL DIELINE

**ITEM:** 11oz HEAVY ROCKS VESSEL

**VESSEL SIZE:** 90MM X 102MM X 85MM

**CLIENT:** CUSTOMER'S NAME

- PLEASE USE VECTOR GRAPHICS OR HIGH RESOLUTION IMAGES
- PUT CALL OUTS TO WHICH ELEMENTS ARE HAVING EFFECT/FINISH
- MINIMUM FONT SIZE IS 6PT



<b>LABEL TYPE</b>	PLEASE SELECT: <input type="checkbox"/> FOIL DECAL <input type="checkbox"/> FULL PRINT
<b>DECAL COLOR</b>	PLEASE SELECT: <input type="checkbox"/> WHITE <input type="checkbox"/> BLACK <input type="checkbox"/> ROSE <input type="checkbox"/> SILVER <input type="checkbox"/> GOLD