

# PRE MILLING CUTTERS

**Edgebander diamond cutters with replaceable DIA cutters with a constant diameter.**

Thanks to the excellent knife fit, the DIA cutters can be replaced on-site and can be interchanged with each other. These tools have a very long tool life and can be re-sharpened several times.



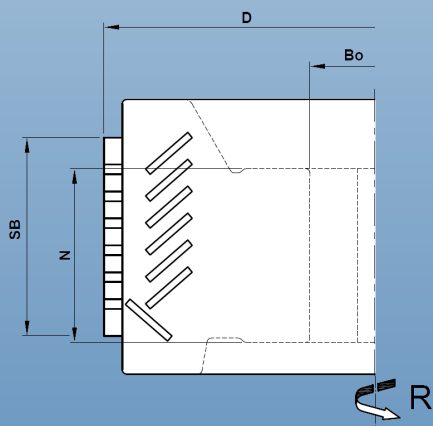
### C444



**DIA Cutter Head Speedy C434**

For tear-out-free jointing of panels with tear-out prone surfaces.

<b>DIAMETER:</b>	80MM-125MM
<b>CUTTING WIDTHS:</b>	45MM-65MM
<b>INTERFACE:</b>	BORE 30MM DKN
<b>ROTATION:</b>	CLOCKWISE & ANTI
<b>CUTTING EDGES:</b>	Z=3
<b>TOOL BODY:</b>	ALUMINIUM DESIGN
<b>CUTTING MATERIAL:</b>	DIAMOND (PCD)



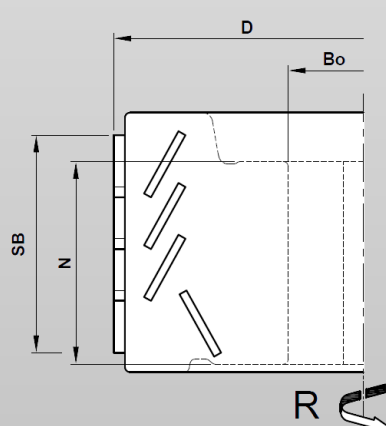
### C434



**DIA Cutter Head C434**

Pre milling on edgebanding machines with height adjustment. Available for most common edgebander brands.

<b>DIAMETER:</b>	60MM-125MM
<b>CUTTING WIDTHS:</b>	45MM-65MM
<b>INTERFACE:</b>	BORE 30MM DKN
<b>ROTATION:</b>	CLOCKWISE & ANTI
<b>CUTTING EDGES:</b>	Z=3
<b>TOOL BODY:</b>	ALUMINIUM DESIGN
<b>CUTTING MATERIAL:</b>	DIAMOND (PCD)



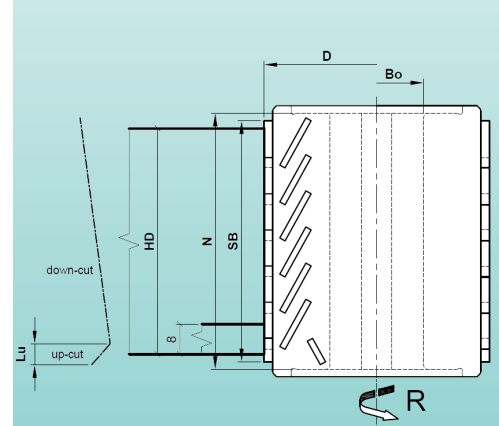
### C424



**DIA Cutter Head C424**

The "little brother" of C434. For pre milling on edgebanding machines with no height adjustment available. For panels less than 10mm.

<b>DIAMETER:</b>	60MM-100MM
<b>CUTTING WIDTHS:</b>	45MM-64MM
<b>INTERFACE:</b>	BORE 30MM DKN
<b>ROTATION:</b>	CLOCKWISE & ANTI
<b>CUTTING EDGES:</b>	Z=3
<b>TOOL BODY:</b>	ALUMINIUM DESIGN
<b>CUTTING MATERIAL:</b>	DIAMOND (PCD)



# C444



MA	ITEM	D	SB	N	BO	N-MAX	Z	SA	R/L
Biesse	C444-080CA65L	80	65	53	30	15500	3x10	s	L
Biesse	C444-080CA65R	80	65	53	30	15500	3x10	s	R
Brandt	C444-100BA45L	100	45.6	40.6	30	15200	3x7	as	L
Brandt	C444-100BA45R	100	45.6	40.6	30	15200	3x7	as	R
Homag	C444-125HA45	125	45.6	40	30	12200	3x7	as	L
Homag	C444-125HA45R	125	45.6	40	30	12200	3x7	as	R
Homag	C444-125HB65L	125	65	36.6	30	12200	3x10	s	L
Homag	C444-125HB65R	125	65	36.6	30	12200	3x10	s	R
IMA	C444-125DA45L	125	45.6	33.5	30	12200	4x7	s	L
IMA	C444-125DA45R	125	45.6	33.5	30	12200	4x7	s	R

# C424



MA	ITEM	D	SB	N	BO	N-MAX	Z	R/L
Bi-Matic	C424-060RA45L	60	45.5	29.2	16	15500	3x5	L
Bi-Matic	C424-060RA45R	60	45.5	29.2	16	15500	3x5	R
Felder	C424-060FA45L	60	54	60	25	15500	2x6	L
Felder	C424-060FA45R	60	54	60	25	15500	2x6	R
Felder	C424-060FA64L	60	64	68	25	15500	2x7	L
Felder	C424-060FA64R	60	64	68	25	15500	2x7	R
Hebrock	C424-070EA45L	70	45.5	62	25	18000	2x5	L
Hebrock	C424-070EA45R	70	45.5	62	25	18000	2x5	R
Hebrock	C424-070EA64L	70	64.5	71.7	25	18000	2x7	L
Hebrock	C424-070EA64R	70	64.5	71.7	25	18000	2x7	R
Hebrock	C424-100EA45L	100	45.5	61	30	15200	2x5	L
Hebrock	C424-100EA45R	100	45.5	61	30	15200	2x5	R
Hebrock	C424-100EA64L	100	64.6	80.8	30	15200	2x7	L
Hebrock	C424-100EA64R	100	64.6	80.8	30	15200	2x7	R
Holzher	C424-100GA47L	100	47.7	25	30	15200	2x5	L
Holzher	C424-100GA47R	100	47.7	25	30	15200	2x5	R
IMA	C424-100DA55L	100	55	37	30	15200	3x6	L
IMA	C424-100DA55R	100	55	37	30	15200	3x6	R
OTT	C424-085PA45L	85	45.5	42	30	15500	3x5	L
OTT	C424-085PA45R	85	45.5	42	30	15500	3x5	R
OTT	C424-085PA64L	85	64	42	30	15500	3x7	L
OTT	C424-085PA64R	85	64	42	30	15500	3x7	R
SCM-Stefan	C424-100SA47L	100	64.6	60	30	15200	3x7	L
SCM-Stefan	C424-100SA47R	100	64.6	60	30	15200	3x7	R



**H&P Technologies Ltd**  
 PO Box 9029, Nelson 7044  
 81 Bolt Road, Nelson, New Zealand  
 Phone +64 3 547 6699 Email info@hptech.co.nz  
 www.hptech.co.nz

# C434



MA	ITEM	D	SB	N	BO	N-MAX	Z	SA	R/L
Biesse	C434-080CA43L	80	43.6	53	30	15500	3x4	s	L
Biesse	C434-080CA43R	80	43.6	53	30	15500	3x4	s	R
Biesse	C434-080CA64L	80	64.6	53	30	15500	3x6	s	L
Biesse	C434-080CA64R	80	64.6	53	30	15500	3x6	s	R
Biesse	C434-080CB64L	80	64.6	53	30	15500	2x6	s	L
Biesse	C434-080CB64R	80	64.6	53	30	15500	2x6	s	R
Biesse	C434-080CC54L	80	54	25	20	15500	3x5	as	L
Biesse	C434-080CC54R	80	54	25	20	15500	3x5	as	R
Biesse	C434-100CA43L	100	43.6	75	30	15200	3x4	s	L
Biesse	C434-100CA43R	100	43.6	75	30	15200	3x4	s	R
Biesse	C434-100CA64L	100	64.6	75	30	15200	3x6	s	L
Biesse	C434-100CA64R	100	64.6	75	30	15200	3x6	s	R
Bi-Matic	C434-080RA64L	80	64.6	30	20	15500	3x6	s	L
Bi-Matic	C434-080RA64R	80	64.6	30	20	15500	3x6	s	R
Brandt	C434-100BA43L	100	43.6	40.6	30	15200	3x4	as	L
Brandt	C434-100BA43R	100	43.6	40.6	30	15200	3x4	as	R
Brandt	C434-100BA64L	100	64.6	40.6	30	15200	3x6	as	L
Brandt	C434-100BA64R	100	64.6	40.6	30	15200	3x6	as	R
Brandt	C434-100BB43L	100	43.6	40.6	25	15200	2x4	as	L
Brandt	C434-100BB43R	100	43.6	40.6	25	15200	2x4	as	R
Felder	C434-060FA54L	60	54	62	25	15500	2x5	as	L
Felder	C434-060FA54R	60	54	62	25	15500	2x5	as	R
Felder	C434-060FA64L	60	64	68	25	15500	2x6	as	L
Felder	C434-060FA64R	60	64	68	25	15500	2x6	as	R
Hebrock	C434-070EA43L	70	43.6	61	25	18000	2x4	as	L
Hebrock	C434-070EA43R	70	43.6	61	25	18000	2x4	as	R
Hebrock	C434-070EA64L	70	64.5	81	25	18000	2x6	as	L
Hebrock	C434-070EA64R	70	64.5	81	25	18000	2x6	as	R
Hebrock	C434-100EA43L	100	43.6	61	30	15200	2x4	as	L
Hebrock	C434-100EA43R	100	43.6	61	30	15200	2x4	as	R
Hebrock	C434-100EA64L	100	64.6	80.8	30	15200	2x6	as	L
Hebrock	C434-100EA64R	100	64.6	80.8	30	15200	2x6	as	R
Holzher	C434-070GA43L	70	43.7	29.5	30	18000	2x4	as	L
Holzher	C434-070GA43R	70	43.7	29.5	30	18000	2x4	as	R
Holzher	C434-070GA54L	70	54	29.5	30	18000	2x5	as	L
Holzher	C434-070GA54R	70	54	29.5	30	18000	2x5	as	R
Holzher	C434-070GA64L	70	64.5	35.5	30	18000	2x6	as	L
Holzher	C434-070GA64R	70	64.5	35.5	30	18000	2x6	as	R
Holzher	C434-070GB43L	70	43.7	35.5	30	18000	3x4	as	L
Holzher	C434-070GB43R	70	43.7	35.5	30	18000	3x4	as	R
Holzher	C434-070GB64L	70	64.5	35.5	30	18000	3x6	as	L
Holzher	C434-070GB64R	70	64.5	35.5	30	18000	3x6	as	R
Holzher	C434-100GA43L	100	43.6	25	30	15200	3x4	as	L
Holzher	C434-100GA43R	100	43.6	25	30	15200	3x4	as	R
Holzher	C434-100GA54L	100	54	25	30	15200	3x5	as	L
Holzher	C434-100GA54R	100	54	25	30	15200	3x5	as	R
Holzher	C434-100GA64L	100	64.6	39.5	30	15200	3x6	as	L
Holzher	C434-100GA64R	100	64.6	39.5	30	15200	3x6	as	R
Holzher	C434-100GB64L	100	64.6	39.5	30	15200	3x6	s	L
Holzher	C434-100GB64R	100	64.6	39.5	30	15200	3x6	s	R
Holzher	C434-100GC43L	100	43.6	25	30	15200	2x4	as	L
Holzher	C434-100GC43R	100	43.6	25	30	15200	2x4	as	R
Holzher	C434-100GC54L	100	54	25	30	15200	2x5	as	L
Holzher	C434-100GC54R	100	54	25	30	15200	2x5	as	R

MA	ITEM	D	SB	N	BO	N-MAX	Z	SA	R/L
Homag	C434-125HB33L	125	33.2	40	30	12200	3x3	as	L
Homag	C434-125HB33R	125	33.2	40	30	12200	3x3	as	R
Homag	C434-125HB43L	125	43.6	40	30	12200	3x4	as	L
Homag	C434-125HB43R	125	43.6	40	30	12200	3x4	as	R
Homag	C434-125HB64L	125	64.6	40	30	12200	3x6	as	L
Homag	C434-125HB64R	125	64.6	40	30	12200	3x6	as	R
Homag/Biesse	C434-125HA43L	125	43.6	40.6	30	12200	3x4	s	L
Homag/Biesse	C434-125HA43R	125	43.6	40.6	30	12200	3x4	s	R
Homag/Biesse	C434-125HA64L	125	64.6	40.6	30	12200	3x6	s	L
Homag/Biesse	C434-125HA64R	125	64.6	40.6	30	12200	3x6	s	R
Homag/Biesse	C434-125HA64LC	125	64.6	40.6	30	12200	3x6	s*	L
Homag/Biesse	C434-125HA64RC	125	64.6	40.6	30	12200	3x6	s*	R
IMA	C434-100DA54L	100	54.1	37	30	15200	3x5	as	L
IMA	C434-100DA54R	100	54.1	37	30	15200	3x5	as	R
IMA / Brandt	C434-100DB43L	100	43.6	41	30	15200	3x4	s	L
IMA / Brandt	C434-100DB43R	100	43.6	41	30	15200	3x4	s	R
IMA 08.378	C434-125DA54L	125	54	37	30	12200	3x5	as	L
IMA 08.378	C434-125DA54R	125	54	37	30	12200	3x5	as	R
IMA 08.378	C434-125DA64L	125	64.6	37	30	12200	3x6	as	L
IMA 08.378	C434-125DA64R	125	64.6	37	30	12200	3x6	as	R
IMA 08.378	C434-125DB43L	125	43.6	37	30	12200	4x4	as	L
IMA 08.378	C434-125DB43R	125	43.6	37	30	12200	4x4	as	R
IMA 08.379	C434-125DC64L	125	64.6	57	30	12200	3x6	as	L
IMA 08.379	C434-125DC64R	125	64.6	57	30	12200	3x6	as	R
Lange	C434-060LA43L	60	43.5	51.7	20	15500	2x4	as	L
Lange	C434-060LA43R	60	43.5	51.7	20	15500	2x4	as	R
Lange	C434-060LA54L	60	54	62	20	15500	2x5	as	L
Lange	C434-060LA54R	60	54						