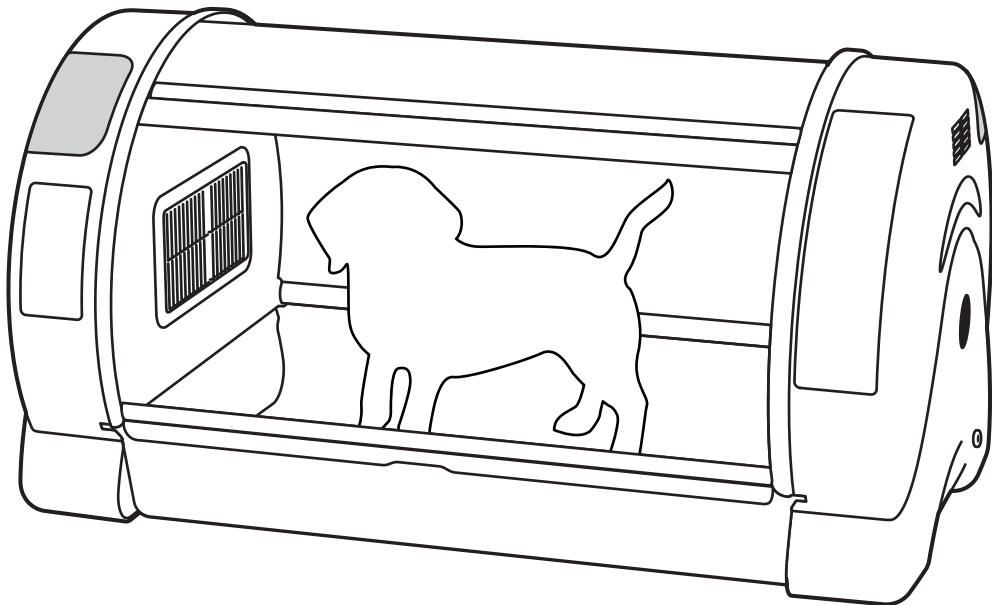


User's Manual

CURADLE PET O₂ BROODER 90

Model : MX-B90NO2



CURADLE

To improve the performance of the product,
specifications are subject to change without prior notice.



Contents

How to use CURADLE PET O2 BROODER 90

1. Introduction	
(1) CURADLE PET O2 BROODER 90 Introduction	3 ~ 7
(2) Safety precautions	
(3) Identification of parts and composition	
(4) Name & Function of operation parts	
2. Before using	
(1) Installation environment	8 ~ 12
(2) Installation method	
(3) How to turn ON/OFF	
(4) Dew Condensation	
3. Function Settings	
(1) Return to Factory Setting	12 ~ 17
(2) Temperature Setting	
(3) How to change the oxygen tank/oxygen generator mode + How to set oxygen concentration	
(4) How to turn the nebulizer function ON/OFF	
(5) How to control the brightness of Indoor(Dimmer)	
(6) How to turn ON/OFF Sound	
(7) How to change Centigrade/Fahrenheit	
4. How to Clean	
	18 ~ 19
5. Product Information	
(1) Troubleshooting(FAQs)	20 ~ 22
(2) Specification / Guide to Consumer Damage Compensation	
※ The time required for arrival (dependent on the flowmeter value) when the oxygen concentration is set to 40% / Use time for each oxygen tank (per liter)	

CAUTION

The manufacturer, or the vendor does not take responsibility for any loss of animal life or property damage caused by user's carelessness, remodeling/painting, changing purpose of use, outage, and etc. In order to avoid malfunctions, please use after carefully reading the user's manual.

Marks and Symbols

CAUTION

A caution sign about mistakes that may cause life loss of animals and damage to property, failure or damage etc.



Indicates prohibition



Indicates the matters that you must follow



Indicates disassembly prohibition



Indicates that the power plug should be removed from the outlet

TIP

This is a tip sign indicating notes or references that are useful to know when using this product.

CAUTION

Indicates that there is a possibility of injury or material damage such as buildings or fixtures when the instructions are violated.

● CURADLE PET O2 BROODER 90

To begin with, we sincerely thank you for purchasing Autoelex's product. CURADLE has been developed based on our long experience and accumulated know-how. CURADLE O2 Brooder has designed to create the optimal environment for pets. However, depending on surroundings and health condition of animal patients, it's necessary for users to observe and set carefully to keep an appropriate environment. Please read the instruction manual carefully before using.

● Features of CURADLE PET O2 BROODER 90

[Main Function]

- * Automatic Temperature control and setting
- * Automatic O2 concentration control and setting
- * Innovatively improve stability and durability with centralized heating system
- * Highly reliable intelligent electronic control system that automatically controls indoor environment
- * Oxygen tank, oxygen concentrator available
- * Built-in air filter which removes indoor dust
- * Transparent window to easily check the condition of inside animals

[Easy Function]

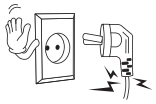
- * Drawer tray for easy cleaning
- * 5 stage dimmer device for indoor illumination control
- * Rotary Door
- * Installing Ringer holder for the use of fluids and assistive devices
(Ringer holder - sold separately)

[Easy Function]

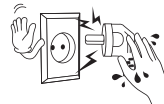
- * Oxygen tank or oxygen concentrator and nebulizer (respiratory therapy device) are available at the same time
- * A standalone oxygen supply applied to easily manage and use
- * BLDC fan for optimum control of inner conditions
- * Elegant outer design and optimum inner space distribution
- * Alarm function in case of abnormal oxygen supply
- * Alarm function in case of abnormal temperature
- * It is possible to stack machine which enable to provide space efficiency (Build rack - Option)

● Electrical hazards

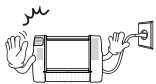
⚠ CAUTION



! Do not use a damaged power cord or loose outlet. Risk of electric shock or fire.



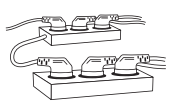
! Do not pull the cord when taking out the power cord, and keep wet hands away from connecting plug. Risk of electric shock or fire.



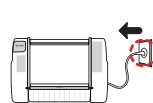
⊘ Never unplug when using the unit. Operation interruption may result in loss of life inside the unit.



! Do not twist or crush electric cord. Risk of electric shock or fire.



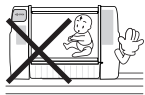
! Do not insert multiple connecting plugs in an outlet. Risk of fire or electrical overload.



! If the machine will be stored for a long time, please clean it before and after storage. Accumulated dust can pose a fire or shock risk.

● Installation, use related precautions

⚠ CAUTION



! Do not put a person in the product. He/she may be hurt or killed.



Don't turn off

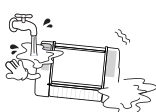
! Do not turn off the power while your pet is in the device. It may be hurt or killed.



! Do not install in dusty or dirty places. Dust or foreign matter may cause electric shock or fire.



! Do not install the product in direct sunlight. There is a possibility of discoloration of the case and rapid temperature rise may cause death of the animal.



! Do not install in wet or humid places. There is a risk of electric shock or fire if water gets inside.



! Avoid places that are too cold or hot and do not place fire or heat machines near the product. There is a risk of fire.



! Do not place the power cord near sources of heat. The coating on the cord may melt and cause fire or electric shock.



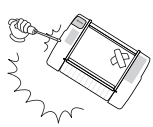
! Please install it firmly when installing on cabinet or shelf. Falling or a fall of the product may cause malfunction and serious injury.



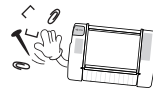
! Do not place the product upside down. The product may be damaged.



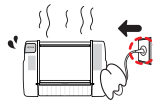
! Do not allow children to climb on the product. A fall of the product may cause injury or death.



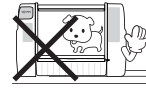
⊘ Never disassemble, repair or modify the product as you please. It may cause electric shock and fire. If you need repair, please contact a service center.



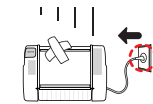
! Be careful not to let foreign substances into the external hole of the product. It may cause electric shock, fire, and physical injury.



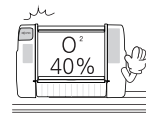
⊘ If any unusual sounds or smoke appear on the product, unplug it immediately and contact a service center. It may cause electric shock or fire.



! It is necessary that users observe the surroundings and the health condition of their animal patient, setting-up the Brooder carefully to maintain an 'individual patient appropriate' environment.



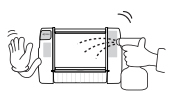
⊘ If you drop it or the case is broken, disconnect the power plug and contact the service center. Using as it is may cause electric shock or fire.



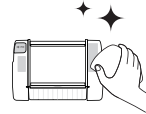
! If you inject more than 40% of oxygen concentration, there is a risk of fire caused by nearby fire or electrics (sparks).

● Cleaning related precautions

⚠ CAUTION



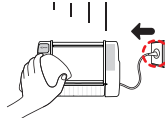
! Do not spray cleaning chemicals directly onto the interior or exterior of the product. Spraying directly may increase the possibility of discoloration, cracking, peeling of the printed surface.



! Clean the incubator by a soft cloth with a neutral detergent.



! Wipe the dust on the power plug's pins and contacts with a dry cloth. It may cause electric shock or fire.



⊘ When cleaning, be sure to remove the power cord and clean it with a soft cloth. Do not use chemicals such as wax, benzene, alcohol, thinner or lubricant etc.



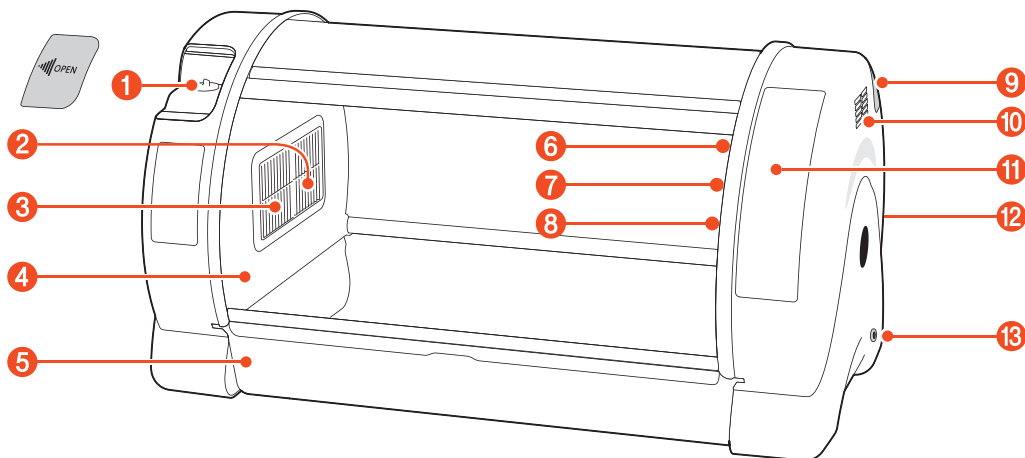
! At least once a year, please contact our service center or customer service center to check the machine. Failure to clean dust inside the product for a long period of time may cause fire or malfunction.

⚠ CAUTION

Please operate the equipment sufficiently and check to make sure that the equipment is functioning properly before putting in the animal.





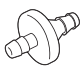


● Identification of Parts

Serial NO. is listed on the front of the product (e.g. MXB90NO200000000000).
This is the unique product number. If it is damaged, you cannot receive Warranty Service.

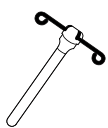


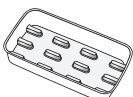
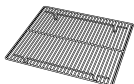




- | | | |
|------------------------|-------------------------------------|---------------------------------------|
| ① Nebulizer inlet hole | ⑥ LED light | ⑪ Operation part |
| ② Nebulizer fan | ⑦ Air-filter, Fan (Mounted) | ⑫ Power connection (back) |
| ③ Air-filter (Mounted) | ⑧ O2 sensor, Temp. sensor (Mounted) | ⑬ O2 tank, O2 concentrator inlet hole |
| ④ Window | ⑨ IV stand holder hole | |
| ⑤ Tray | ⑩ Ventilating opening | |

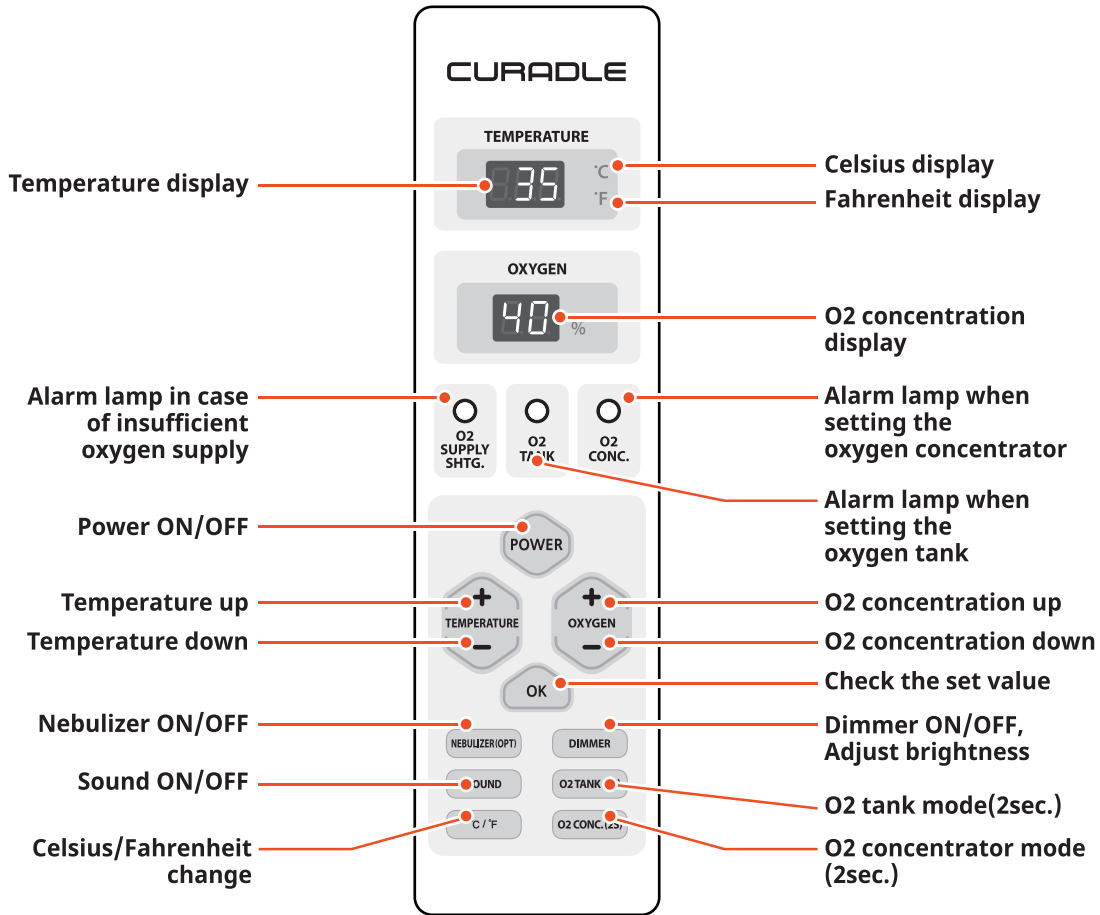
● Basic Components

		 (Mounted)	 (6, 8, 10mm)			 ※ Use only when supplying oxygen manually
Manual	Power cord	3 air filters	3types of O2 hoses	Multi connector	Nebulizer socket	O2 socket

● Sold Separately

					 ※ Need to set O2 CONC mode	 ※ Need to set O2 TANK mode
IV stand holder	Build rack	Nebulizer	Secondary tray	Stainless mesh	O2 concentrator	O2 tank

● Name & Function of Operation Parts



● Easy Function Operation

Power ON/OFF	ON : Press the power button once. / OFF : Press and hold the power button for 2 seconds.		
Temperature setting	 Adjust to the desired temperature by pressing the +/- button.	O2 concentration setting	 Adjust to the desired concentration by pressing the +/- button.
How to turn off heater manually	H.OF (HEATER OFF) Keep pressing Temperature Down button until "H.OF" comes out.	How to stop the oxygen supply function	21% When you set it to 21% using the oxygen level down button, it will stop the oxygen supply function.
How to turn off ventilation fan manually	A.OF (FAN OFF) Keep pressing Temperature Down button until "H.OF" appears. Then, press once again so that "A.OF" appears.	How to change the oxygen tank/ oxygen concentrator mode	 Oxygen tank mode: Press the O2 TANK button for 2 seconds. Oxygen concentrator mode: Press the O2 CONC. button for 2 seconds. *It takes up to 10 seconds to prepare the oxygen supply.

2. Before using

(1) Installation environment (2) Installation method

● Installation environment

CAUTION

CURADLE O2 Brooder is designed and manufactured to provide convenient use to customers through latest digital control technology. However, the following requirements must be followed, otherwise it may have fatal effects on the animal. The inside environment of the O2 Brooder is largely affected by the installation environment and the equipment is recommended to be installed in a place where there are minimal noise and shock. An environment with small temperature difference with the surrounding temperature ranging from 20 to 25°C (68~77°F) and humidity level of 40~60% is recommended. Careful monitoring is required as the temperature can drop rapidly during the night time and it must not be exposed to direct sunlight.

Please do not install the brooder around heating and cooling devices and or ventilators to avoid effects that oxygen concentration may not be raised due to the wind from them.

● Installation method

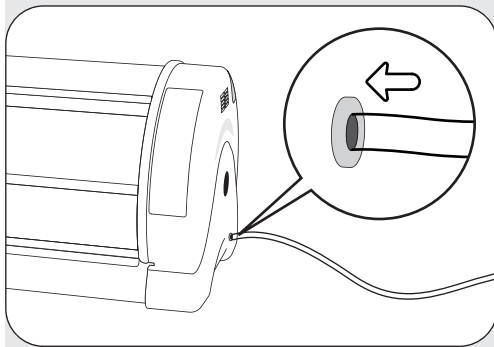
CAUTION

Please operate the equipment sufficiently and check to make sure that the equipment is functioning properly before putting in the animal.

The equipment may not be automatically controlled by the environment condition it was set up with if it is not in the outside environment condition of where the product was installed. (Temperature: 20~25°C (68~77°F) / Humidity: 40~60%).

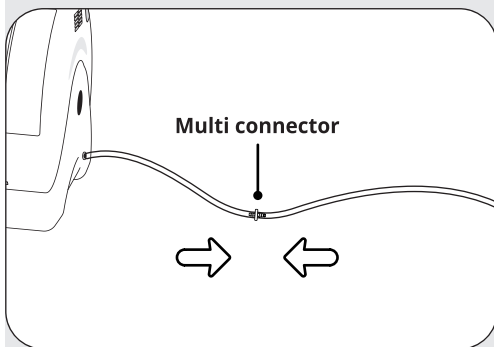
- Place the device horizontally on a sturdy, level surface.
- After installation, remove the protective film from the inside and outside of the device.

[How to install O2 Tank/O2 Concentrator] - O2 Tank, O2 Concentrator are sold separately.

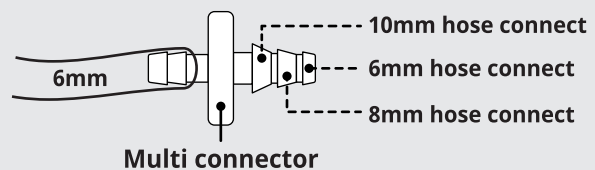


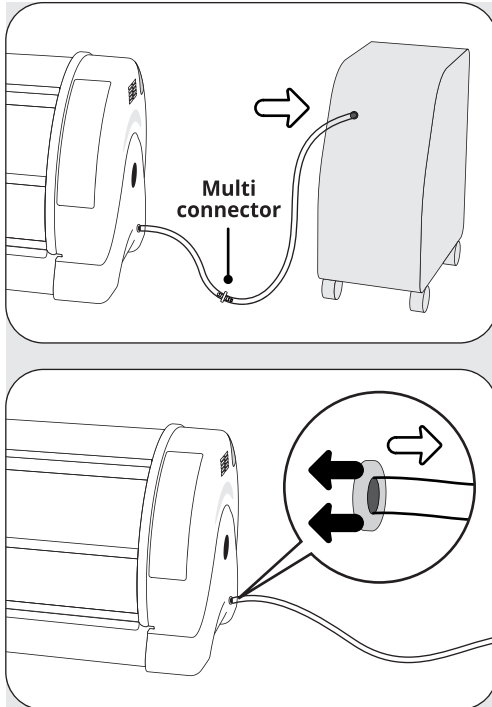
- Connect the 6mm oxygen hose to the connector as shown in the picture.

- Connect the multi connector to the other end of the 6mm oxygen hose.



- Connect an 8mm or 10mm oxygen hose to the multi-connector to fit the outlet size of the oxygen tank or oxygen concentrator.





- Plug and connect the other end of the oxygen hose to the outlet of the oxygen tank or oxygen concentrator.

⚠ CAUTION

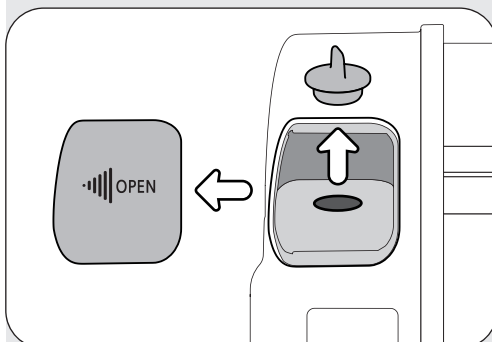
If the hose assembly is loose, oxygen may not be supplied properly, so fix it firmly.

✓ TIP

Please check the specifications before connecting as the hose size may differ depending on the oxygen tank and oxygen concentrator. Oxygen tanks must be equipped with a regulator in the front.

- When separating the hose from the connector, please pull the hose while pushing the sky-blue connector edge in the same direction of the picture.

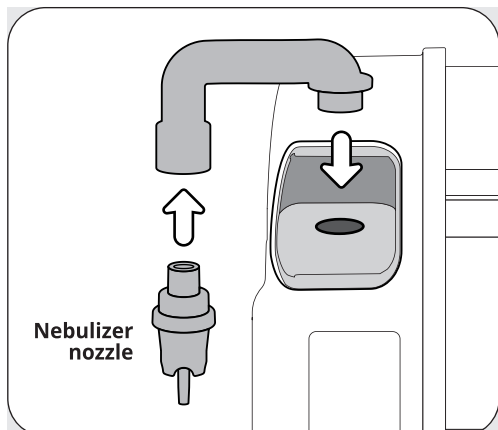
[How to install Nebulizer] - Nebulizer is sold separately.



- Open the nebulizer cover and cap in the direction of the arrow.

⚠ CAUTION

Please put the cap and Nebulizer cover back when you don't use the nebulizer.



- Please insert the short end of the nebulizer socket into the product body and connect the long end to the nebulizer nozzle as indicated by the arrow in the picture.

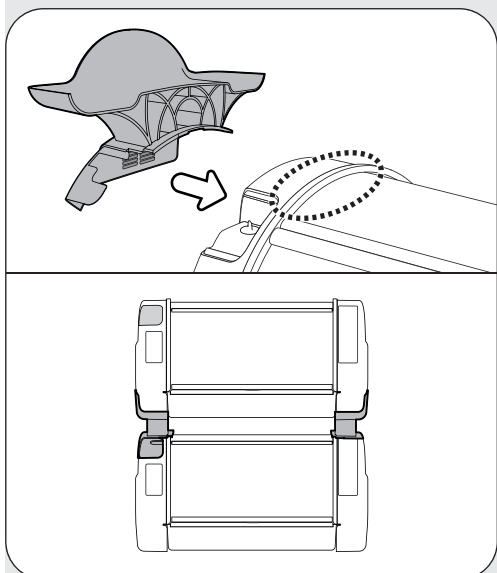
⚠ CAUTION

Please fix it firmly as water or drugs may not be supplied properly in case of loose assembly.

✓ TIP

The hose size may differ depending on the nebulizer brand, but it can be available if you wrap it with tape so that it does not leak.

[How to install Build rack] - Build rack is sold separately.



- Place the device horizontally on a sturdy, level surface.
- Remove covers on both sides of the product.
- Plug the Build rack into the cover space on both sides. Push into the circled-indicated position on the product until the Build rack is properly interlocked and you hear a click sound.

⚠ CAUTION

Assemble while the product cord is unplugged.

Do not stack more than two levels when installing the build rack as it might collapse.

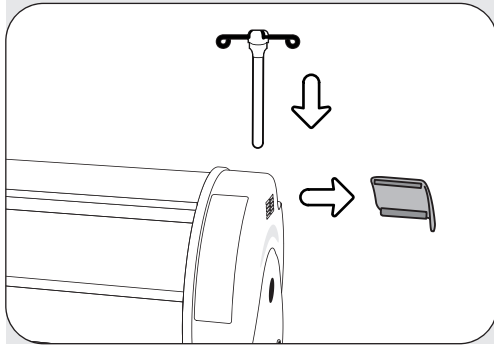
Do NOT install in surroundings where children are present. In case you must, close attention is required.

- Stack the product on top of the Build rack.

2. Before using

(2) Installation method
(3) How to turn ON/OFF (4) Dew Condensation

[How to install IV stand holder] - IV stand holder is sold separately.

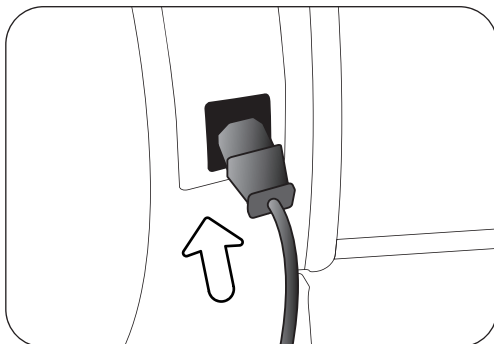


- Open the ringer holder cover in the direction of the arrow.

⚠ CAUTION

Close the cover when not using the ringer holder.

- Insert the ringer holder into the ringer holder hole.



- Connect the power cord to the back of the main unit and connect the power plug to a power outlet.

● How to turn ON/OFF

- **Start** : Press the power button once to turn on.
- **Finish** : Press and hold the power button for 2 seconds to turn off.
- If you wish to continue with the previous settings/conditions, reconnect the power and press the power button once.

2. Before using / 3. Function Settings

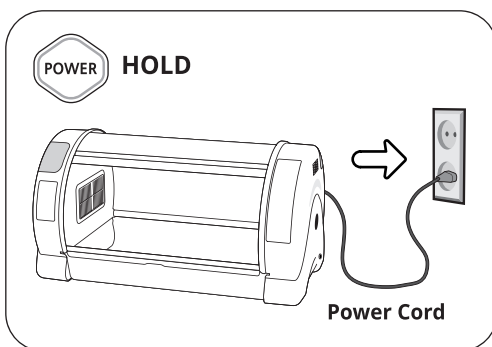
(4) Dew Condensation
(1) Return to Factory Setting

● Dew Condensation

- In case of large temperature difference between equipment interior and installation environment, water can leak onto the window, tray or the floor. This is a natural phenomenon and may happen more severely under more humid conditions. To minimize condensation effects, the equipment must be installed in a place where the temperature difference between equipment interior and installation environment is small.
- How to reduce the internal condensation :
 1. Please clean up interior floor frequently.
 2. Please don't keep the equipment in cold place.
[Recommended temperature of installation place : 25°C (77°F ±5.4°F)]
- If not using the equipment for a long period of time, open the window on equipment and dry the interior of the equipment for about a day in a well-ventilated place.

※ The electronic parts of the equipment has a special coating that is resistant to moisture.

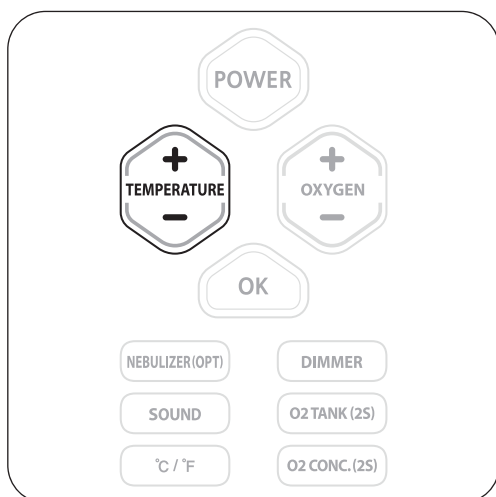
● Return to Factory Setting



- Used to initialize equipment to a setting when it was first released from the factory in case where the input value is changed due to mal-operation of equipment.
- Whilst the power is disconnected, press and hold the power button, then continue to hold whilst you reconnect the power. The temperature display will read "rst" and the unit will return to factory settings.



● Temperature Setting



- Set the temperature using the TEMP+/TEMP- buttons.

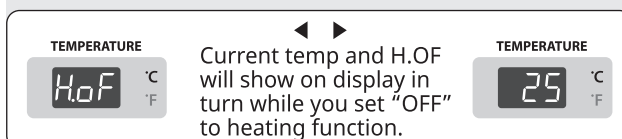
[Instructions for setting heating function ON/OFF]

ON : Set the temperature to 20°C or higher by pressing the Temp+ button.

Default : ON

Input range: Ambient temperature ~ 38°C

OFF : If the temperature setting is at 20°C, pressing the TEMP- button again will turn-off the heating function and the display will read, H.OF(HEAT OFF).

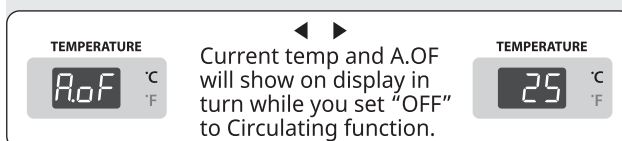


※ Even if you stop the heating function and the ventilation fan function, the display shows the current temperature. When you stop the ventilation fan, there may be a deviation between the actual temperature and the displayed temperature as air is not circulated.

[Instructions for setting ventilation function ON/OFF]

ON : Set the temperature to 20°C or higher by pressing the Temp+ button.

OFF : Pressing the TEMP- button whilst the heating function is off will stop the ventilation function. The display will read, A.OF(FAN OFF).



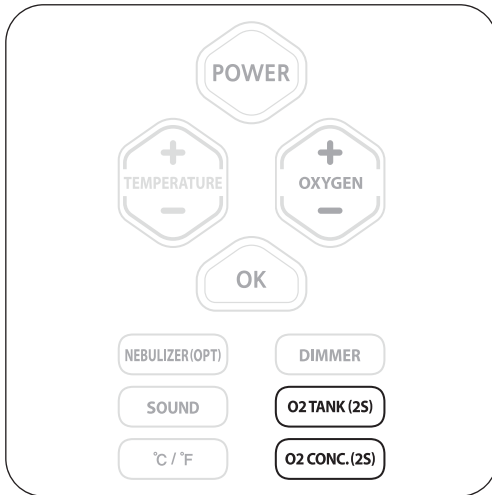
✓ TIP

When releasing from the factory, temperature and humidity was corrected to be optimized according to international standard. If necessary, recalibration is possible, however, it isn't desirable for users to correct it directly. In case that correction is necessary, please contact Autoelex homepage (www.autoelex.com → Download → Manual category) or place where you purchased to inquire about it. As low price thermometer easy to purchase in the open market have much deviation of estimate value, it is desirable to use corrected thermometer for exclusive use.
[thermometer and hygrometer for exclusive use - See Autoelex homepage]

3. Function Settings

(3) How to change the oxygen tank/oxygen generator mode
+ How to set oxygen concentration

● How to change the oxygen tank/oxygen concentrator mode



- When you turn on the power or change the oxygen supply mode, the setting will not be changed during the oxygen supply preparation time. (up to 10 seconds)

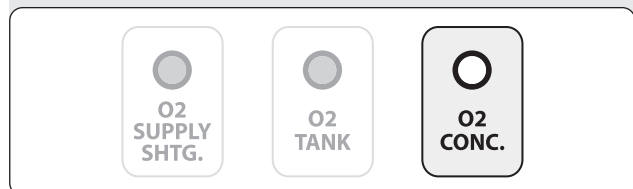
[How to set the oxygen tank mode]

When using an oxygen tank, press the O2 TANK button for 2 seconds to turn on the O2 TANK lamp and set to oxygen tank mode.



[How to set the oxygen concentrator mode]

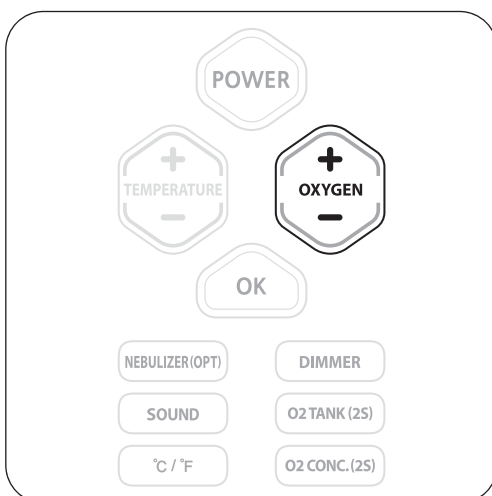
When using the oxygen concentrator, press the O2 CONC.(CONCENTRATOR) button for 2 seconds to turn on the O2 CONC. lamp and set to the oxygen concentrator mode.



⚠ CAUTION

When it has insufficient oxygen supply or abnormality, the O2 SUPPLY SHTG. (SHORTAGE) lamp on and an alarm sounds.

● How to set oxygen concentration



- Press the OXYGEN+/OXYGEN- button to set the oxygen concentration.

[How to set the oxygen supply function ON/OFF]

ON : Press the OXYGEN+ button to set the concentration at 25% or more.

Default : 21%

Input range: 21, 25 ~ 40%

OFF : When you set the oxygen concentration at 21%, it will stop the oxygen supply function.

✓ TIP

The 40% oxygen concentration measurement is for when the chamber is empty.

3. Function Settings

(3) How to change the oxygen tank/oxygen generator mode
+ How to set oxygen concentration

⚠ CAUTION

The oxygen concentration setting function raises the oxygen concentration inside to a certain level to help animal patients recover quickly. It automatically maintains the concentration at the desired setpoint only when an oxygen supply device is connected.

To maintain an oxygen concentration above 30%, you must close all viewing windows.

Please note that keep away from fire sources such as fires and electric sparks as there is a risk of fire and explosion at high oxygen concentration.

Set the oxygen supply pressure as follows.
(High supply pressure may affect control.)

- **Oxygen tank : 1 ~ 1.5 bar is recommended but does not exceed 3bar.**

- **Oxygen concentrator: In case of below 6LPM, supply pressure doesn't matter.
In case of more than 6LPM, 1 ~ 1.5bar is recommended but does not exceed 3bar.**

* 6LPM(Liter Per Minute) - supplying 6 liter for 1 minute

* 1bar = 0.1Mpa = 1Kgf/cm² = 1 atm = 14 psi

Do not open the viewing window while supplying oxygen. This can affect oxygen concentration control.

⚠ CAUTION

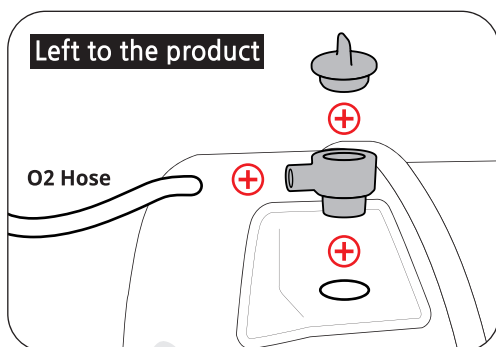
When not supplying oxygen, turn off the oxygen supply function. Otherwise, an alarm will sound.

⚠ CAUTION

For the oxygen concentration setting and oxygen supply time, please consult your vet in the hospital.

⚠ CAUTION

If a power failure occurs while supplying oxygen to the product through the oxygen tank, immediately close the oxygen tank. Excessive oxygenation can cause oxygen poisoning accidents.



⚠ CAUTION

: How to supply oxygen manually in case of emergency

When the product does not work properly, it can be used by supplying oxygen manually.

Please insert the O2 socket into the product body and cover the socket top with a cap.

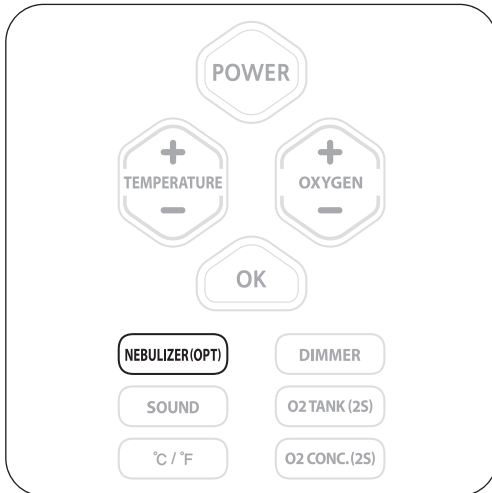
Oxygen can be supplied manually after connecting the oxygen hose to the O2 socket.

Above method is only emergency measures, please have an immediate maintenance service as soon as possible.

3. Function Settings

- (4) How to turn the nebulizer function ON/OFF
- (5) How to control the brightness of Indoor(Dimmer)

● How to turn the nebulizer function ON/OFF(Option)



- To connect the nebulizer nozzle, refer to page 9 of the user manual.

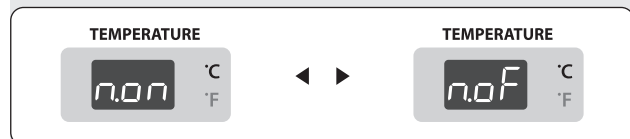
⚠ CAUTION

The nebulizer power supply should be connected separately.

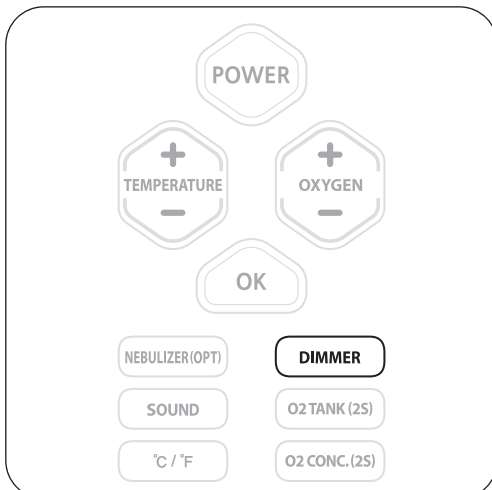
ON : When you press the NEBULIZER button, the nebulizer turns on and the display shows N.on (NEBULIZER ON).

Default : OFF

OFF : Press the NEBULIZER button again to turn off the nebulizer and the display shows N.of (NEBULIZER OFF).



● How to control the brightness of Indoor(Dimmer)



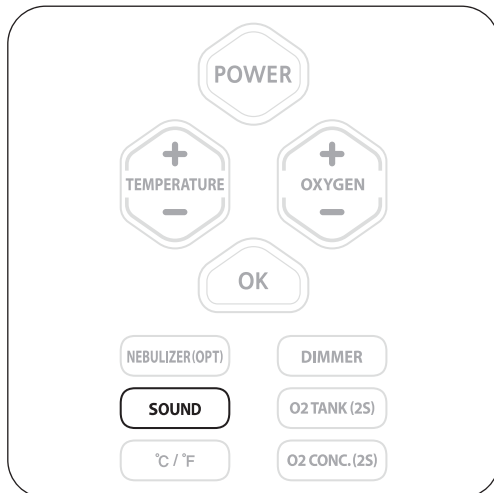
- Adjust brightness by using the DIMMER button.
- If you push the DIMMER button continuously, "OFF" will appear on the display unit and the interior lights will turn off.
- Control to 5 stages of brightness
L1(Min) ~ L5(Max)

Default setting : L5

3. Function Settings

(6) How to turn ON/OFF Sound
(7) How to change Centigrade/Fahrenheit

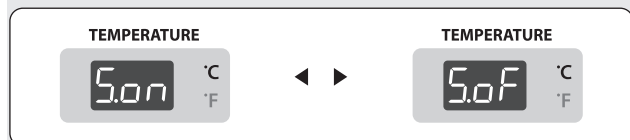
● How to turn ON/OFF Sound



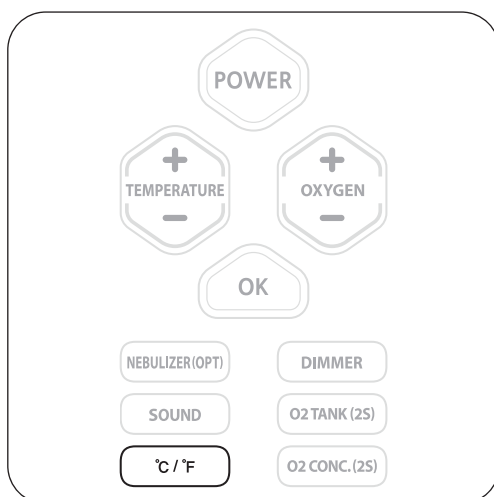
ON : Press the sound button to turn on all sounds.
The display will read, S.on(SOUND ON).

Default: ON

OFF : Press the sound button to turn off all sounds.
The display will read, S.of(SOUND OFF).



● How to change Cels./Fahr.



- If you push the °C/°F button, the LED will blink alternatively from "°C" ↔ "°F".

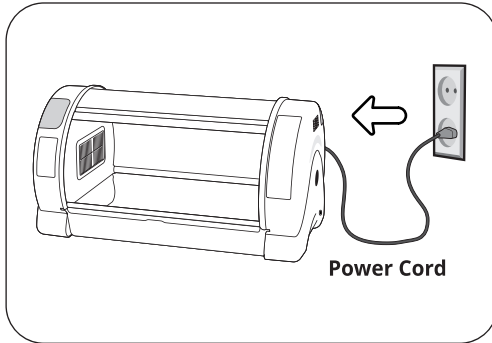
Default setting : °C



4. How to Clean

● Instructions for Disassembling and Cleaning

⚠ CAUTION

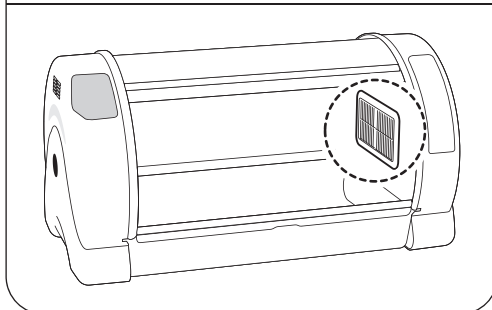
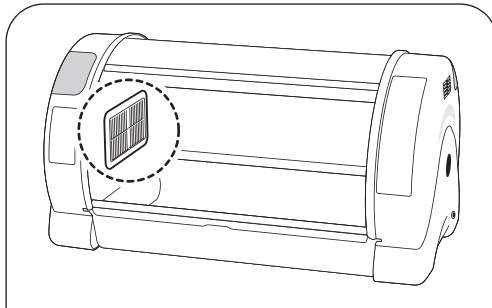


⚠ CAUTION

The Brooder power cord must be separated from the power outlet.

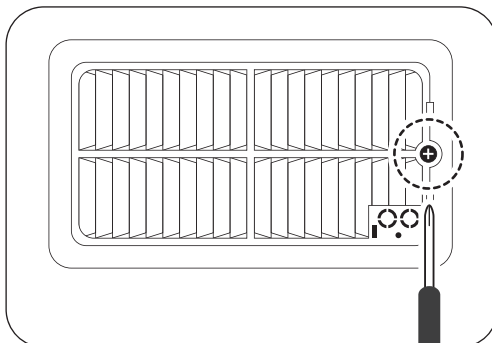
When cleaning, please don't spray water or cleaner to the filter directly. If you do that, it might be cause of malfunction for the product. Also it might be a cause of fatal defect for the sensor. Therefore, please use a cloth with water or cleansing solution and wipe the product clean.

- Pull out the power cord from the connection jack on the back and disconnect the power plug from outlet.
- Please separate it from the oxygen tank or oxygen concentrator. (Refer to page 8-9)



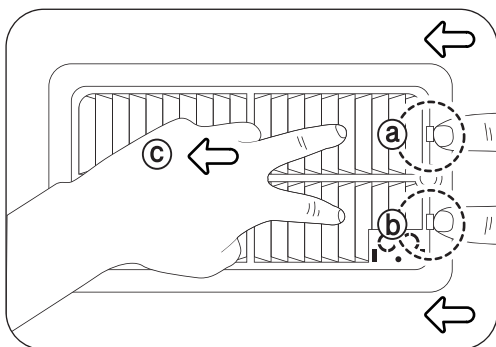
- You can remove the filter by opening both filter covers.

It is a consumable part, but you can reuse it if you wash it thoroughly under running water and dry it in the shade. Replacement cycle may vary depending on the usage environment.

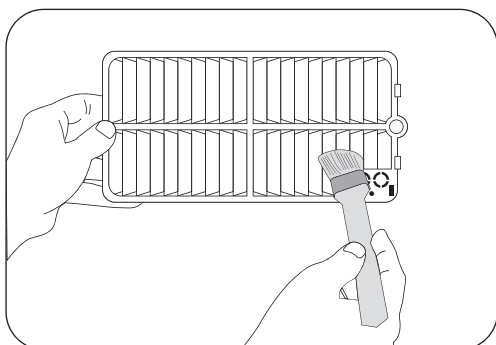


- Unscrew both sides of the filter cover using a screwdriver.

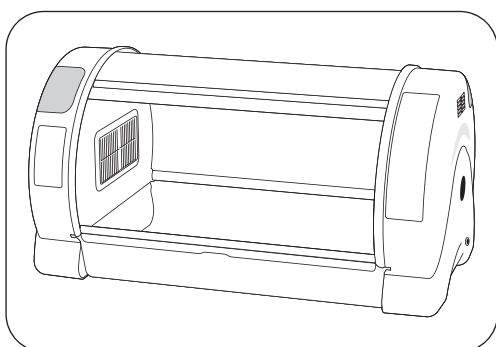
4. How to Clean



- Separate cover by bending Picture (a), (b) to the left at the same time and using your fingers or a screwdriver, then pulling in the direction of Picture (c) and pulling to the front of direction. (using tools will help).



- Please wipe off the dust of separate cover by using a brush. and wash with water.
- After take the air filter out, wash it under running water and dry it in the shade.



- When cleaning products interior, after removing trays, please polish inner parts with a soft cloth. Wash the tray thoroughly with water and then dry it.

⚠ CAUTION

Do not clean the product with benzene or thinner, it can cause modify or bleach.

- Assemble in the reverse order of separation and store.

● Troubleshooting

All our digital products of Autoelex Co., Ltd. are made by precision systems under strict quality control. But occasionally some defective products are found on the way of their distribution. If any problem occurs, please contact Autoelex service center or distributors in your country. We will do our best to solve the problems, if any, for you. This product is designed in modular mode, so for its repair, if any, a qualified person can replace the part concerned with ease.

* Complaint Department : 82-55-337-2561

* E-mail Receipt : sales@autoelex.com

Troubles	Expected Causes (Possibility)	Countermeasures
No signs of power to the brooder	<ul style="list-style-type: none"> ▶ Check if power cord was connected well. ▶ Check power failure. ▶ Check if plug is defective. 	<ul style="list-style-type: none"> ▶ Try to plug-in again. ▶ Check other electric and electronic product nearby. ▶ Check after moving to other socket.
When temperature is too high / When temperature is too low	<ul style="list-style-type: none"> ▶ Check set temperature. ▶ Check if FAN for air circulation isn't rotating. ▶ Try to make factory initialization. [See 11P] 	<ul style="list-style-type: none"> ▶ Adjust set temperature to wanted temperature. ▶ Unplug from socket and separate main body to clean FAN area for air circulation with a brush or writing brush.
When the oxygen concentration is too high / When the oxygen concentration is too low	<p>When the oxygen concentration is low</p> <ul style="list-style-type: none"> ▶ Check if the amount of oxygen supply is insufficient. ▶ O2 SUPPLY SHTG. Make sure the lamp is blinking and an alarm sounds. ▶ Check if the viewing window is closed tightly. <p>When the oxygen concentration is high</p> <ul style="list-style-type: none"> ▶ Check the oxygen supply pressure. 	<p>When the oxygen concentration is low</p> <ul style="list-style-type: none"> ▶ Provide sufficient oxygen. ▶ Unfold the oxygen hose so that it does not fold. ▶ Check if there are no foreign substances in the viewing window and close it again tightly. <p>When the oxygen concentration is high</p> <ul style="list-style-type: none"> ▶ Set the oxygen supply pressure as follows. <ul style="list-style-type: none"> - Oxygen tank: max 2-3bar - Oxygen concentrator: 5L/min
The machine makes some noise It is normal that the machine emits some sounds because it uses air circulation fan for working.	<ul style="list-style-type: none"> ▶ Check if there is some other object on the brooder. ▶ Check if there is some vibration on the floor or it was installed on the desk. ▶ Check if some foreign substance was attached to FAN. 	<ul style="list-style-type: none"> ▶ Remove all the objects put on the brooder. ▶ Move brooder to the safe place to install. ▶ Unplug from socket and separate main body to clean FAN area for air circulation with a brush or writing brush.
Water leaks from the machine	<ul style="list-style-type: none"> ▶ Dew condensation is normal. 	<ul style="list-style-type: none"> ▶ Please check the installation environment. [See 8P]

CAUTION

Please operate the equipment sufficiently and check to make sure that the equipment is functioning properly before putting in the animal.

● Specification

1-1 Name : CURADLE PET O2 BROODER 90

1-2 Model : MX-B90NO2

Model. NO	MX-B90NO2
Power	AC 100~120V, 50/60Hz / AC 220~240V, 50/60Hz
Temp. Control Range	Ambient temperature ~ 38℃ (Ambient temperature ~ 100°F)
Outside Environment Temp.	Optimal range : 20 ~ 25℃ (68 ~ 77°F)
Oxygen Control Range	21, 25 ~ 40%
Oxygen supply pressure	Oxygen tank : 1 ~ 1.5 bar is recommended but does not exceed 3bar. Oxygen concentrator : In case of below 6LPM, supply pressure doesn't matter. In case of more than 6LPM, 1 ~ 1.5 bar is recommended but does not exceed 3bar.
Power Consumption	Average 90W MAX. 150W
Product Weight	10kg
Product Size	(W)855 x (L)470 x (H)440mm
FUSE Standard	250V 10A (Ø5*20mm)

We are not allowed to extend warranty therefore we ONLY provide 1 year warranty service.
If you do not register, we provide limited warranty service for 1year based on factory release date.

※ How to register the product online:

1. Go to www.autoelex.com
2. Click on "English"
3. Sign up for membership first, then log in using those credentials
4. Click "register products"
5. Fill in all required fields and click "Save"
6. Product registration is now completed.

※ Details required to register for the guarantee:

1. The name of the product model
2. The product serial number
3. Your purchase date
4. The name of the store of purchase

● **Guide to Consumer Damage Compensation**

This product cannot be registered as a free service extension. The warranty period is one year.

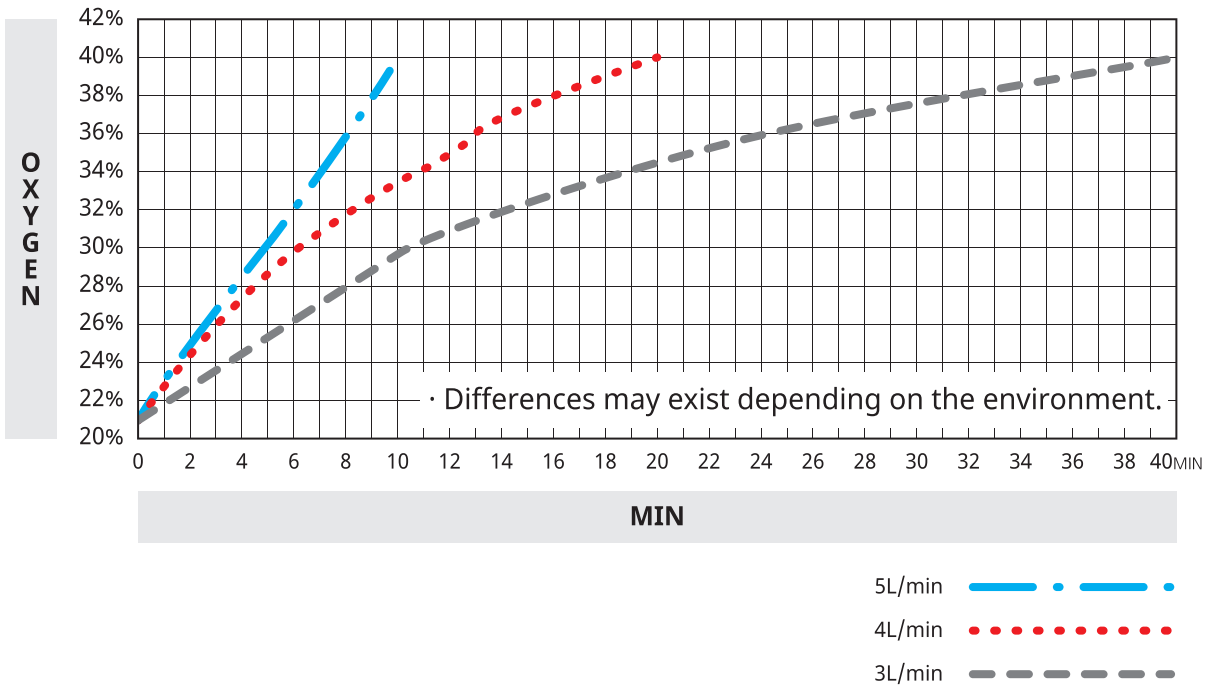
Types of Consumer Damage	Compensation History	
	Within warranty period	After the warranty period
In case of naturally occurring failure of function, performance under normal use conditions	Free repair	Paid repair
Failure of function, performance by consumer's intention, mistake <ul style="list-style-type: none"> ■ If a malfunction occurs due to natural disasters (fire, salt, gas, earthquake, flood, etc.) ■ If replacing consumable parts that are normally worn in use ■ If a fault occurs due to abnormal power supply or defective connection equipment ■ If a failure occurs due to repair or alteration made by a person other than the repair agent of the head office or agency ■ Other external causes not the fault of the product itself ■ If a fault occurs due to different rated voltage ■ If failure occurs due to use of unspecified consumables or optional parts not specified by our company ■ In case of failure or damage due to dropping when moving etc ■ Failure caused by non-cleaning ■ If the malfunction / consumer error caused by wrong operation of the machine is obvious ■ Failure during use in a manner not described in the manual 	Paid repair	

 **CAUTION**

The manufacturer, or the vendor does not take responsibility for any loss of animal life or property damage caused by user's carelessness, remodeling/painting, changing purpose of use, outage, and etc. In order to avoid malfunctions, please use after carefully reading the user's manual.

- ※ The time required for arrival (dependent on the flowmeter value) when the oxygen concentration is set to 40%
- ※ Use time for each oxygen tank (per liter)

※ **The time required for arrival (dependent on the flowmeter value) when the oxygen concentration is set to 40%**
 - When the chamber is empty



※ **Use time for each oxygen tank (per liter) - When the chamber is empty**

Oxygen tank capacity	Usable time	Oxygen supply pressure
5L	2hour	5L/min Continuous
10L	4hour	
20L	8hour	
40L	19hour	

· Differences may exist depending on the environment.

Brooder is designed for user's easy and convenient use.
It can be changed without notice for improvement in performance, design,
treatment and software, etc.

A0.25

www.autoelex.com

SELLER

MANUFACTURER

AUTOELEX CO.,LTD.

- OFFICE : 218, Sangdong-ro, Gimhae-si,
Gyeongsangnam-do, 50805 Korea
- TEL : +82-55-337-2561
- E-MAIL : sales@autoelex.com

Choose for the best design, highest quality, value and performance!