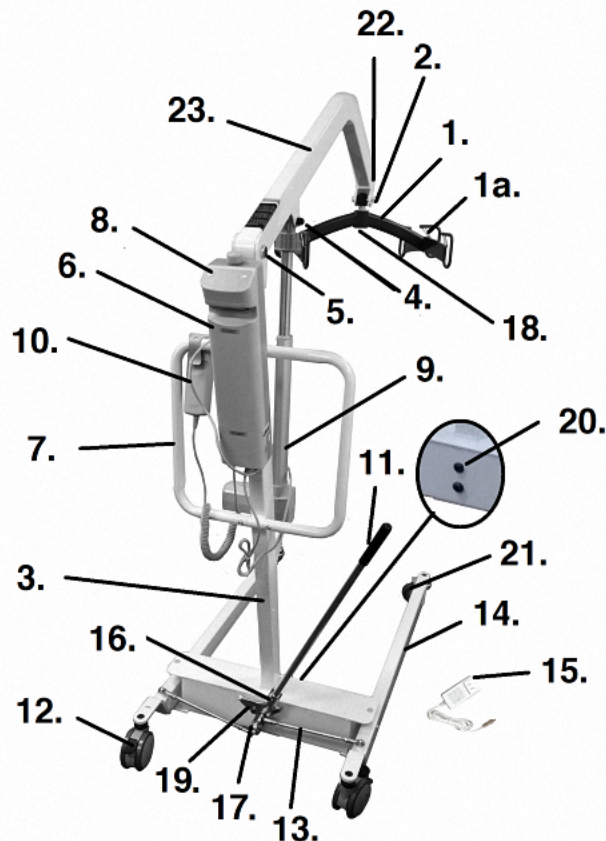


# 13240 & 13242

T-Motion Electronics

1. 4/6 Point Cradle- 13050
- 1a. Spring Loaded Clip- 13240-CC-SL
2. Cradle Attachment Bolt- 13244CAB
3. Lower Mast- 13244ML
4. Upper Actuator Bolt- 13240UBA
5. Mast Hinge Bolt- 13240MHB
6. Battery Pack- SP07-SP-2139-001
7. Push Handle- 13240PH [1]
8. Controller- SP07-TC12-2139-003
9. Actuator- SP07-TA37-2139-001
10. Hand Pendant- SP07-TH10-2139-002
11. Spreader Bar- 13240BSB  
Spreader Bar Grip- 13240SBH
12. Caster with Lock- 13240CAL
13. Base Actuating Rod (pr)- 13240BAR-PR
14. Base- 13240B
15. Charger- SP07-TCB2-2139-001
16. Receiver Plate Assembly- 13240RPA
17. Actuating Rod Bolt- 13240ARB-N
18. Cradle Pivot Bolt- 13058PB-N
19. Spreader Bar Locking Plate-13240AP
20. Mast Locking Bolt- 13240MLB
21. Caster w/o Lock- 13240CA
22. Square FramePlug- 13240FP
23. Upper Mast- 13240MU

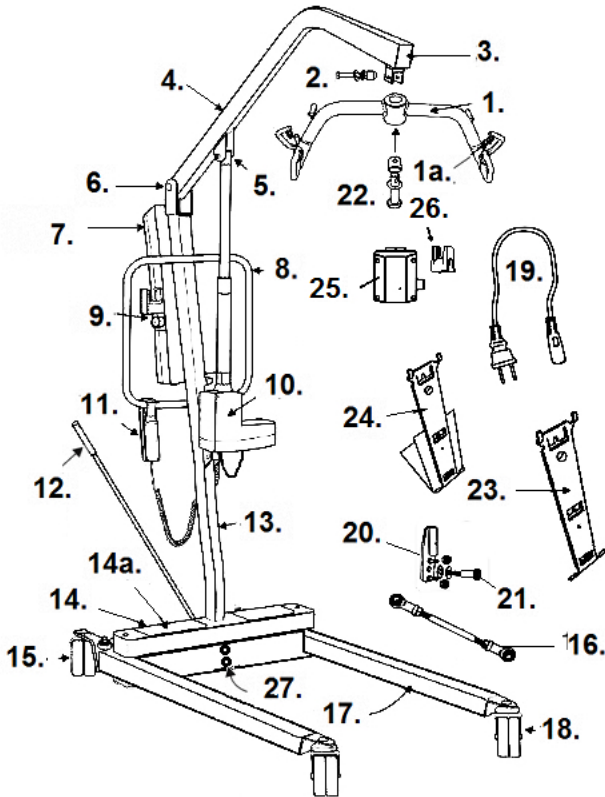


# 03/07/2022

[1] Attaching Bolts (M6X1.00X10mm) not included.

# 13240 & 13242

## Linak Electronics



- 1. 4/6 Point Cradle- 13050
- 1a. Spring Loaded Clip- 13240-CC-SL
- 2. Cradle Attachment Bolt- 13240CAB  
Cradle Attachment Bolt- 13244CAB \*
- 3. Square Frame Plug- 13240FP

\* Serial number 4A1905..... and higher.  
 \*\* Attaching bolt (M6 X 1.00 X 10mm) not included.  
 \*\*\* Serial number 4A1206..... and higher.

- 4. Upper Boom- 13240MU  
Upper Boom- 13244MU \*
- 5. Upper Actuator Bolt- 13240UBA
- 6. Mast Hinge Bolt- 13240MHB
- 7. Battery Pack- 13240BATT  
Battery Cell (2 needed)- 13240BC  
Battery Pack Fuse- CPCFUSE
- 8. Push Handle- 13240PH \*\*
- 9. Controller- 1324614
- 10. Actuator- 13240A
- 11. Hand Pendant- 13240HC
- 12. Spreader Bar- 13240BSB  
Spreader Bar Hand Grip- 13240SBH
- 13. Lower Mast- 13240ML
- 14. Foot Plate- 13240F
- 14a. Foot Pad- 13240FGP
- 15. Caster with Lock- 13240CAL
- 16. Base Actuating Rod (pr)- 13240BAR-PR
- 17. Base- 13240B
- 18. Caster w/o Lock- 13240CA
- 19. Power Cord- 13255PC
- 20. Receiver Plate Assembly- 13240RPA
- 21. Actuating Rod Bolt- 13240ARB  
Actuating Rod Bolt- 13240ARB-N \*\*\*
- 22. Cradle Pivot Bolt- 13058PB  
Cradle Pivot Bolt- 13058PB-N \*
- 23. Battery & Controller Bracket- 13260
- 24. Charger Stand- 1324626
- 25. External Charger- 13255
- 26. Power Cord Holder- 13255PCH
- 27. Mast Locking Bolt- 13240MLB
- N.S. Spreader Locking Plate- 13240AP