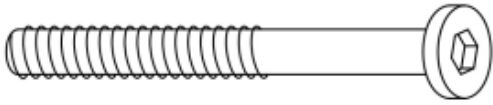


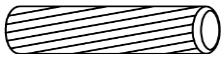
SERENA NURSING CHAIR Assembly Instructions

IMPORTANT: Please read
carefully and retain for
future reference

Hardware list - Rocking / Feeding Chair Assembly



A X 8 Bolt (50mm/2.75")



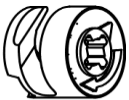
B X 8 Dowel (40mm/1.6")



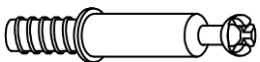
C X 8 Spring Washer



D X 8 Washer



E X 4 Cam Lock



F X 4 Cam Bolt



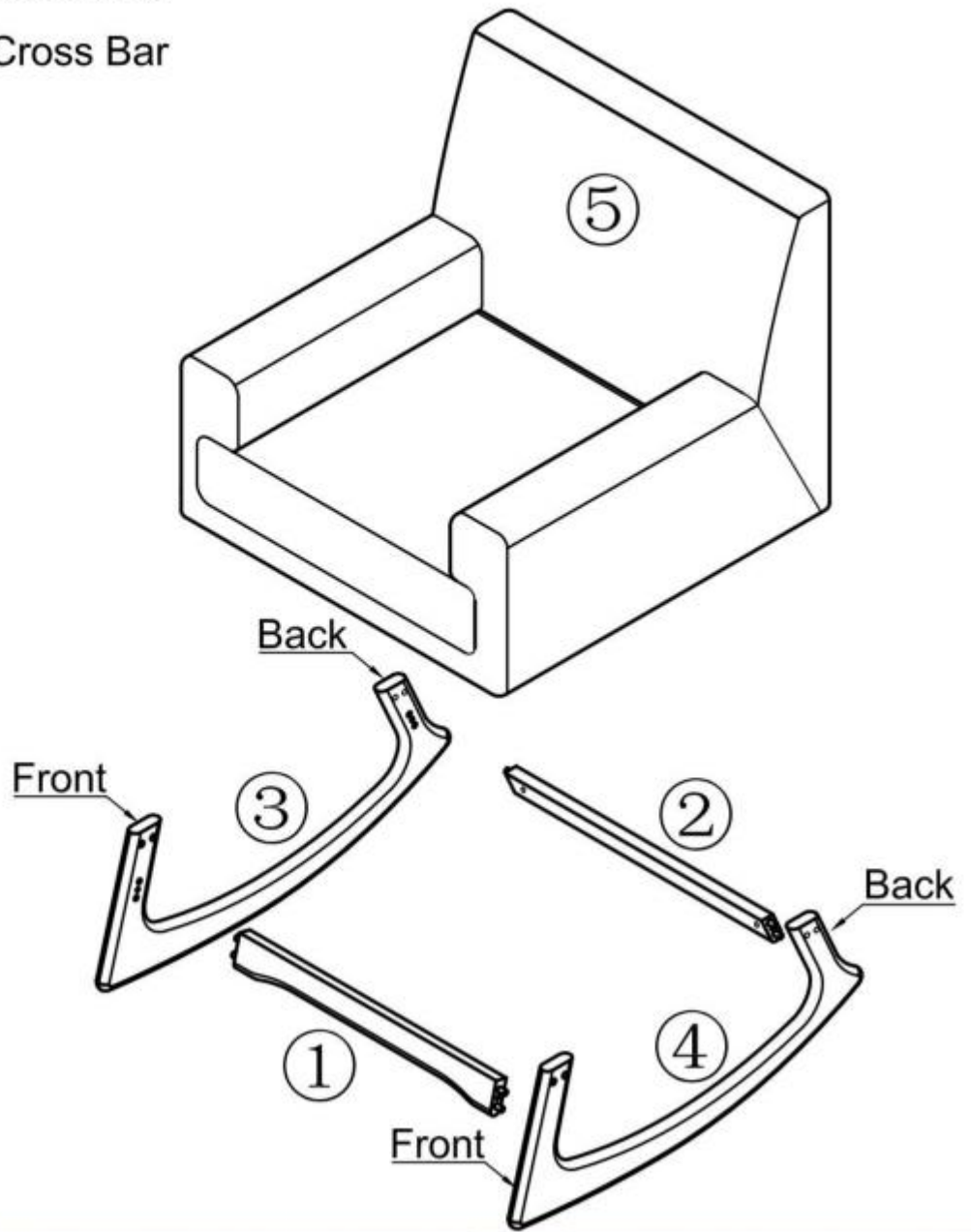
G X 1 Allen Key

ATTENTION NOTICE :

Please note that cam lock E and cam bolt F requires a Phillips Screwdriver (not provided).

Parts list - Rocking / Feeding Chair Assembly

- ① X 1pc Front Leg Cross Bar
- ② X 1pc Rear Leg Cross Bar
- ③ X 1pc Left Leg
- ④ X 1pc Right Leg
- ⑤ X 1pc Chair



Be sure you follow the instructions in the order they appear. To avoid possible scratching, assemble furniture on a soft surface. For instance, a carpet or blanket.

Be aware that you can use both ends of the Allen Key for assembly- lengthwise to get into tighter corners.


Be careful not to over tighten bolts.

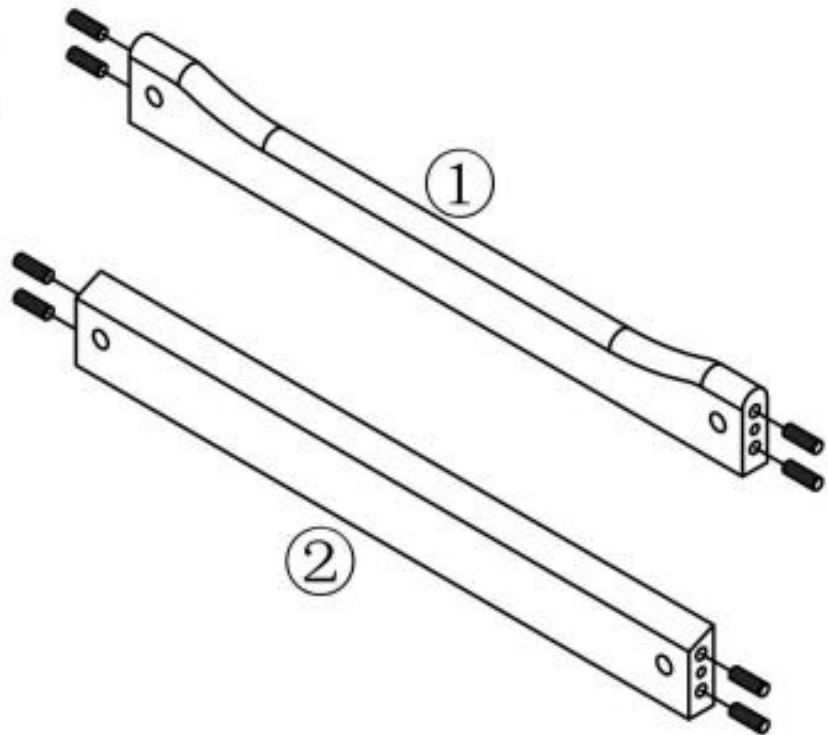
ATTENTION NOTICE:

Legs and cross bars are packed separately (secondary box)

Step 1

Insert four Dowels B into the pre-drilled holes of the Front Leg Cross Bar ① and the Rear Leg Cross Bar ② .Total of 8pcs Dowels.


You need hardware		
B		8pcs

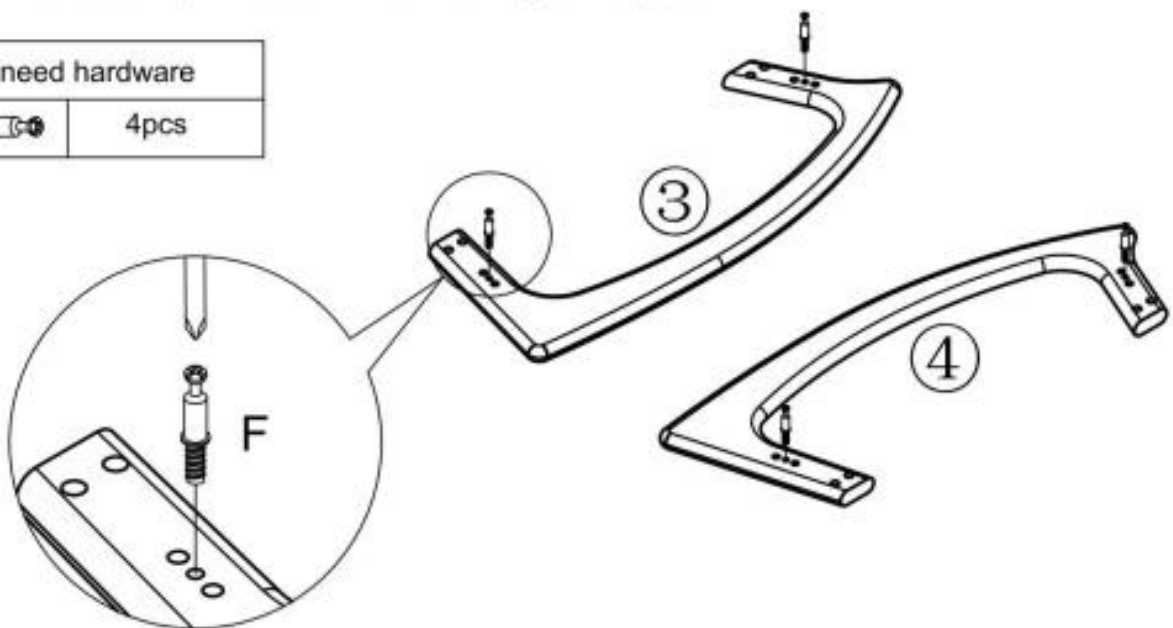


Step 2

Insert the Cam Bolt F into the middle holes of the Left Leg ③ , assemble them using the Phillips Screwdriver.


Repeat the same procedure for the Right Leg ④.

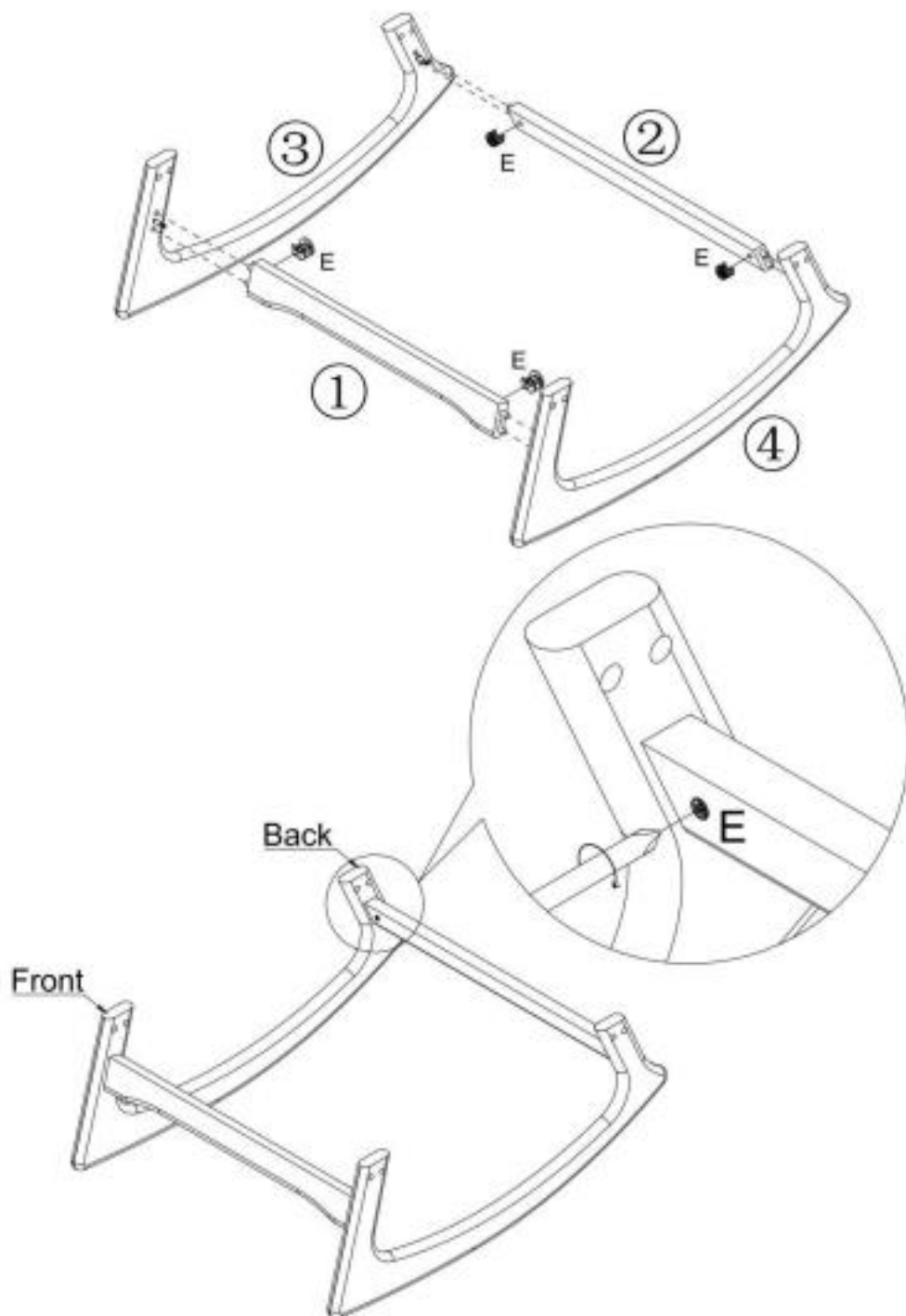
You need hardware		
F		4pcs



Step 3

Connect the Front Leg Cross Bar ① and Rear Leg Cross Bar ② with the 2 legs by inserting the dowels of the crossbars into the pre-drilled holes of the 2 legs. Use the Phillips Screwdriver and turn the Cam Locks E 90 degrees clock wise.

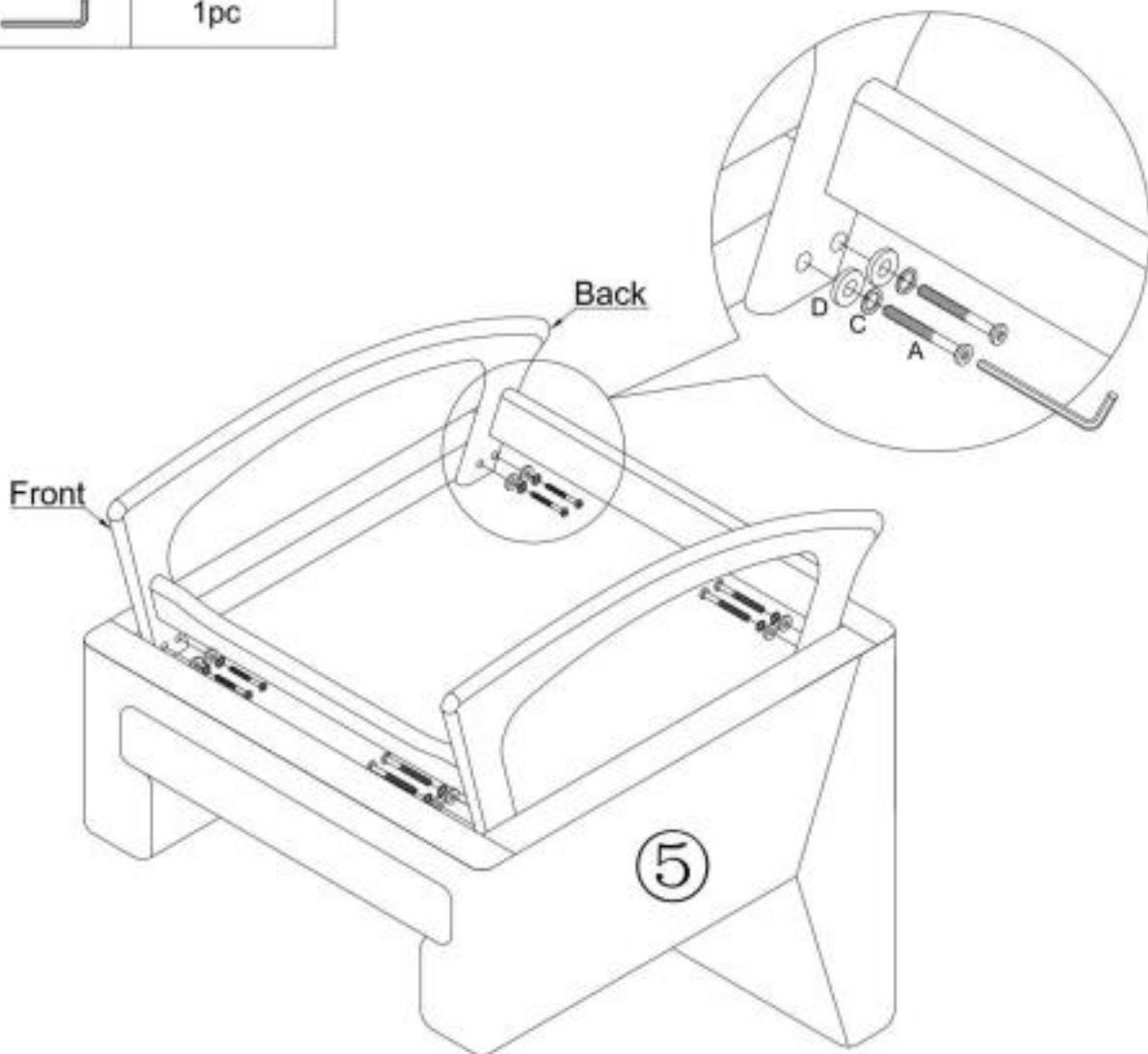
You need hardware		
E		4pcs



Step 4

Connect the legs to the wooden frame of the Chair ⑤ by inserting Bolt A into the pre-inserted nuts of the wooden frame and bolt them tightly using the Allen Wrench G. Repeat same procedures for 4 corners.

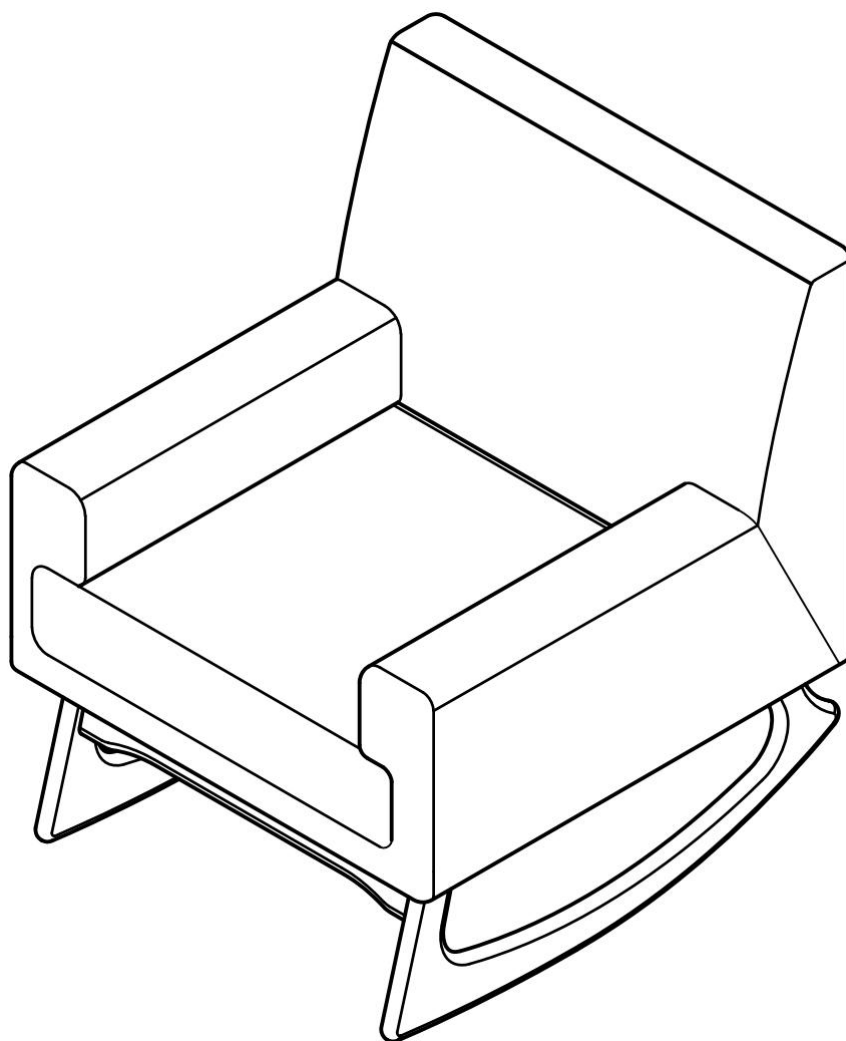
You need hardware		
A		8pcs
C		8pcs
D		8pcs
G		1pc



Important Note:

After assembly, please replace base-cover, armrest covers and lumbar cushion

Assembly is complete and ready to enjoy !



Manufacturer Warranty

All Gaia Baby furniture carries a full 2 year manufacturer's warranty.

The warranty does not cover wear & tear or damage caused by the product not being used in accordance with correct care instructions.

The warranty period is effective from date of purchase. The warranty applies to product presented with an original receipt or proof of purchase. The warranty applies to the territory in which the product was purchased.

During the warranty period, Gaia Baby will repair or replace any defective part.

In the event of a product being replaced in entirety, the guarantee on the replacement will expire two years from the original purchase date.

This is a natural wood product. Some variation in surface finish and colour may occur. While every attempt is made to colour match replacement parts, colour matching cannot be guaranteed.

This guarantee excludes accidental damage, misuse and or damage caused by improper transport or handling.

This warranty is void if the original product has been altered in design or colour in anyway and/ or if not presented with an original receipt as proof of purchase.

Gaia Baby Limited

#2, Kinsealy Business Park,
Malahide
Dublin K36 DK81
Ireland

Web:
www.gaia-baby.com
Email:
customercare@gaia-baby.com