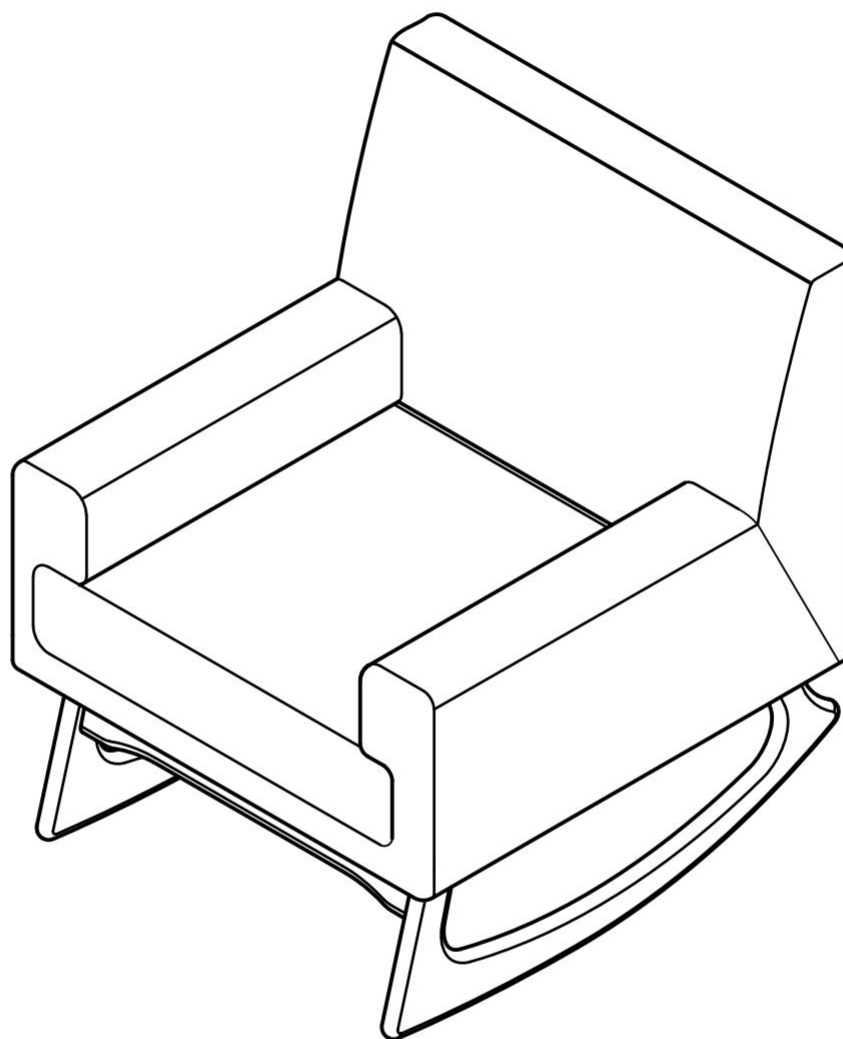
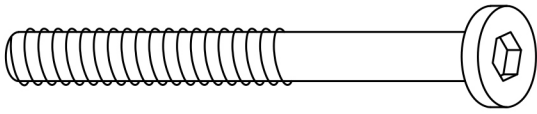


# Gaia Rocking / Feeding Chair



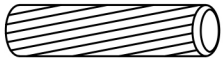
Assembly Instructions

# Hardware list - Rocking / Feeding Chair Assembly



A X 8 Bolt (50mm/2.75")

---



B X 8 Dowel (40mm/1.6")

---



C X 8 Spring Washer

---



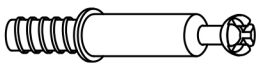
D X 8 Washer

---



E X 4 Cam Lock

---



F X 4 Cam Bolt

---



G X 1 Allen Wrench

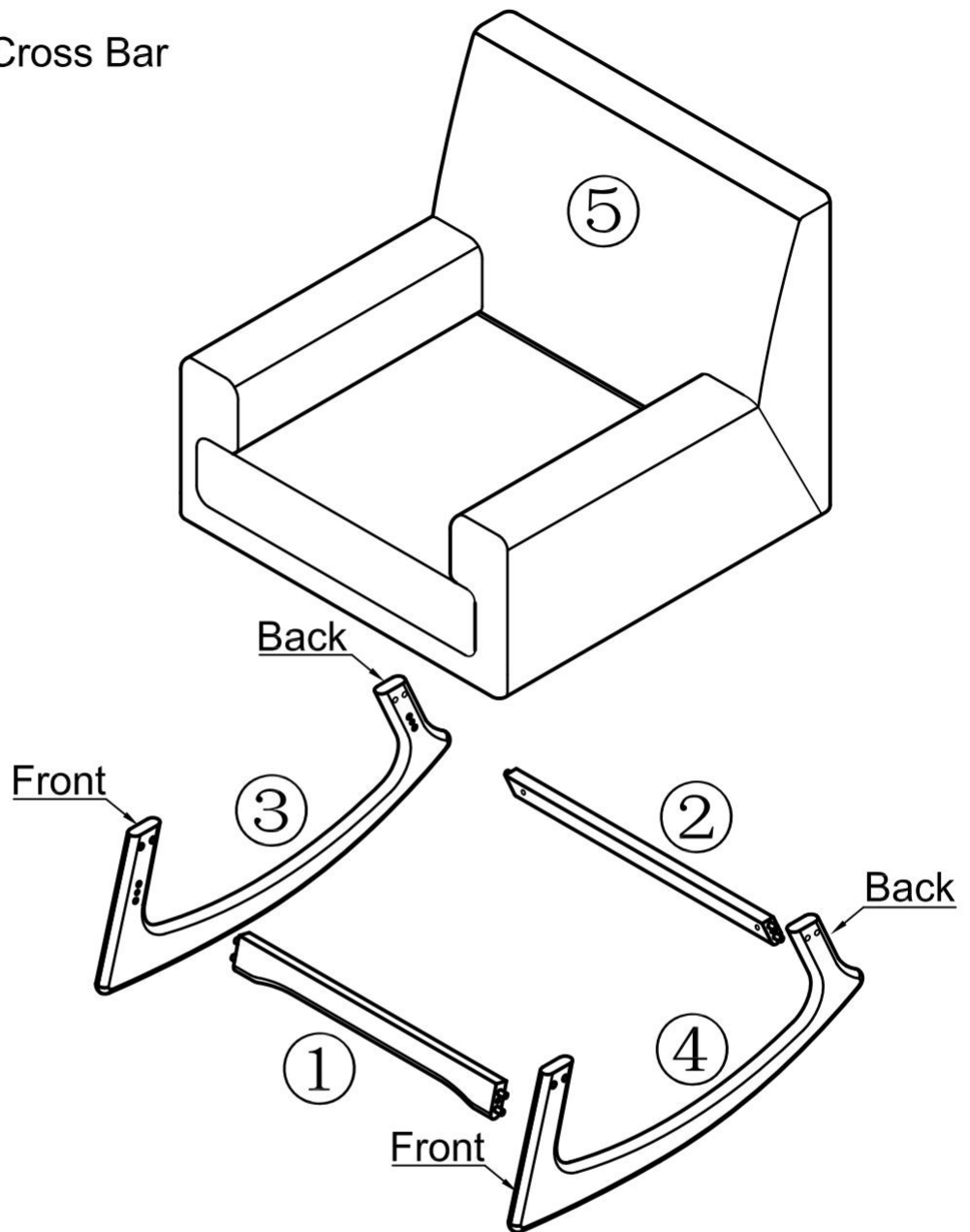
---

## ATTENTION NOTICE :

Please note that cam lock E and cam bolt F requires a Phillips Screwdriver which is not provided.

# Parts list - Rocking / Feeding Chair Assembly

- ① X 1pc Front Leg Cross Bar
- ② X 1pc Rear Leg Cross Bar
- ③ X 1pc Left Leg
- ④ X 1pc Right Leg
- ⑤ X 1pc Chair



---

Be sure you follow the instructions in the order that they appear. To avoid possible scratching, assemble furniture on a soft surface. For instance one a carpet or blanket.

Be aware that you can use both ends of the Allen wrench. For instance, use it lengthwise to get into tighter corners.

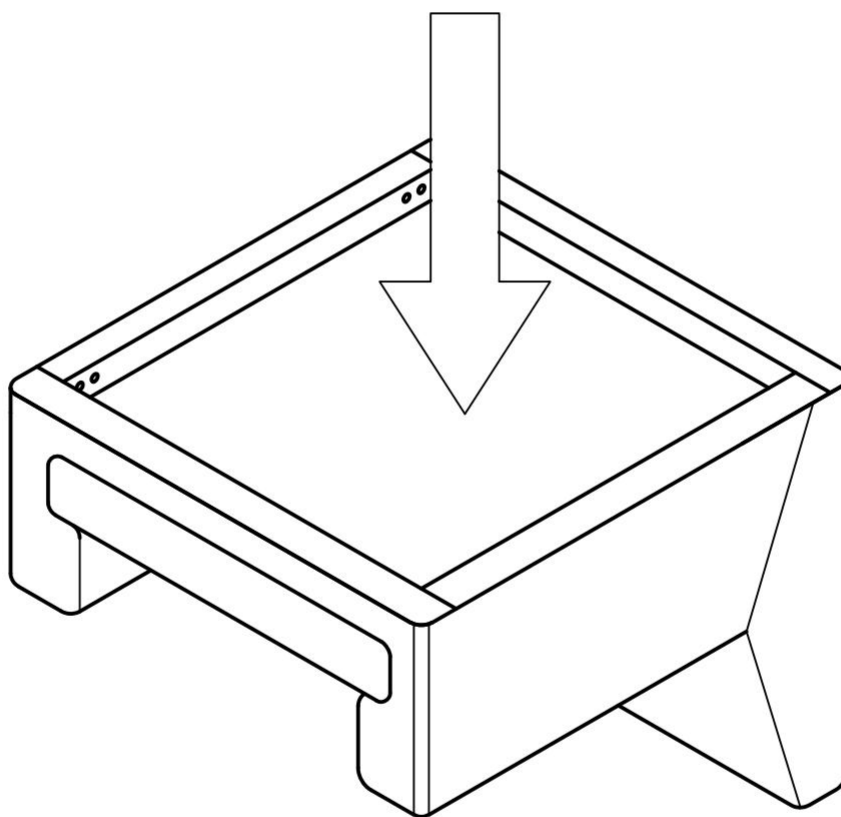
Be careful not to over tighten bolts.

# Assembly

## ATTENTION NOTICE :

Please open the covering cloth under the seat cushion.

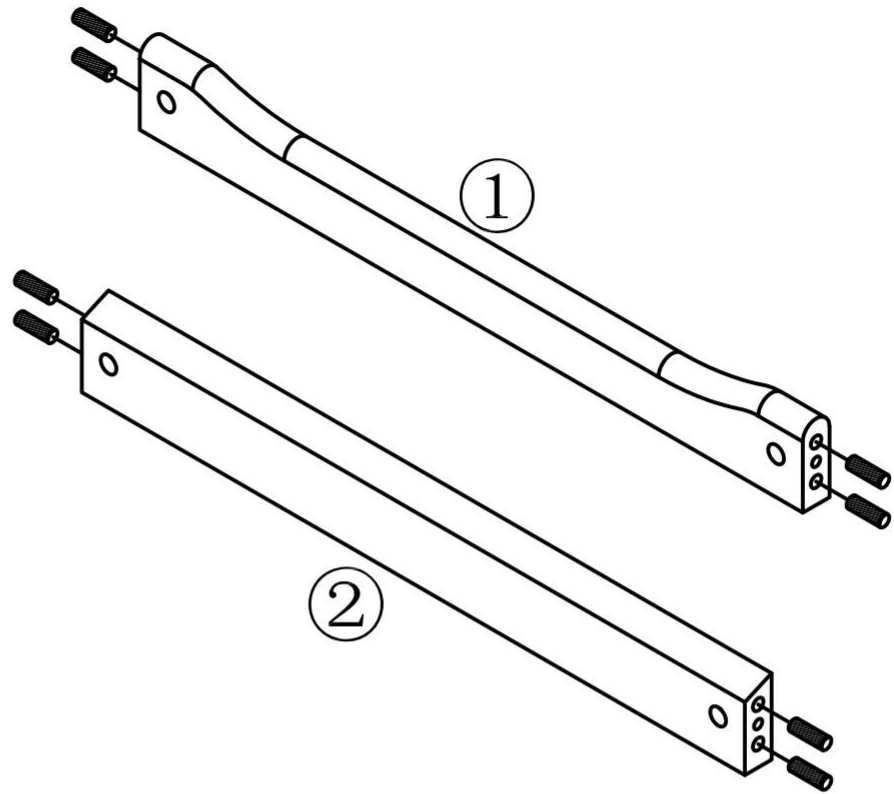
**Rocker legs are stored  
under the seat cushion**



# Step 1

Insert four Dowels B into the pre-drilled holes of the Front Leg Cross Bar ① and the Rear Leg Cross Bar ② .Total of 8pcs Dowels.


You need hardware		
B		8pcs

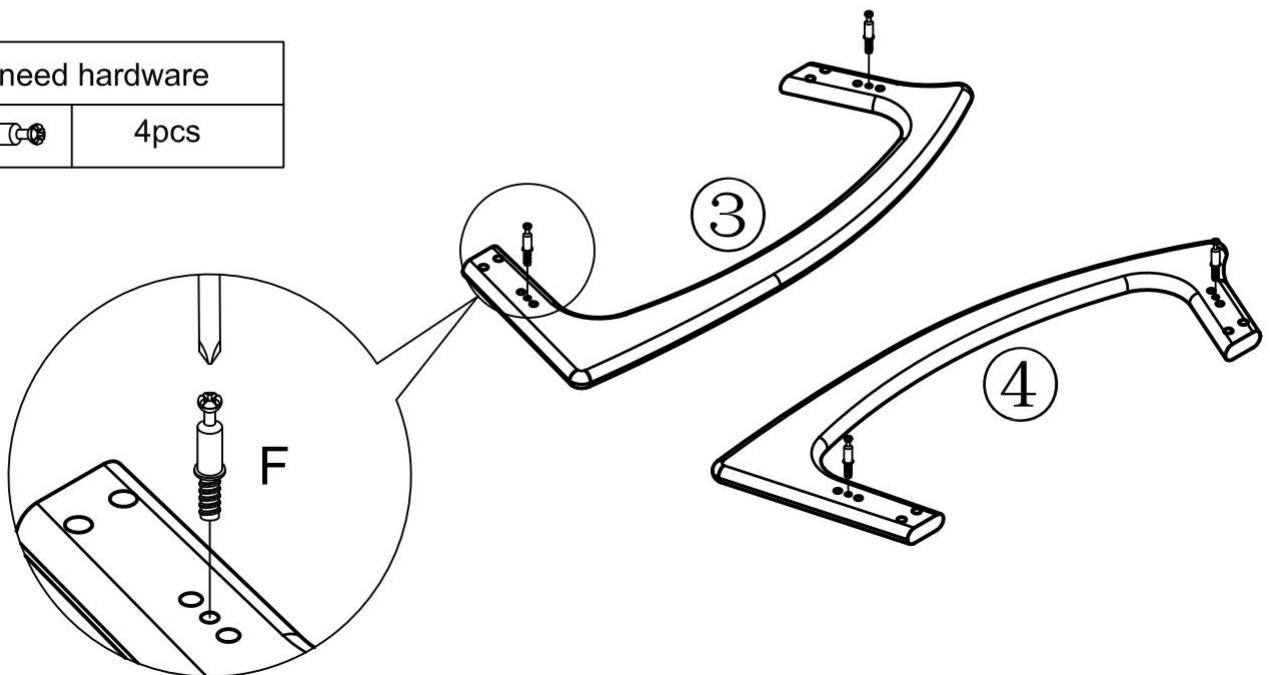


# Step 2

Insert the Cam Bolt F into the middle holes of the Left Leg ③ , assemble them using the Phillips Screwdriver.


Repeat the same procedure for the Right Leg ④.

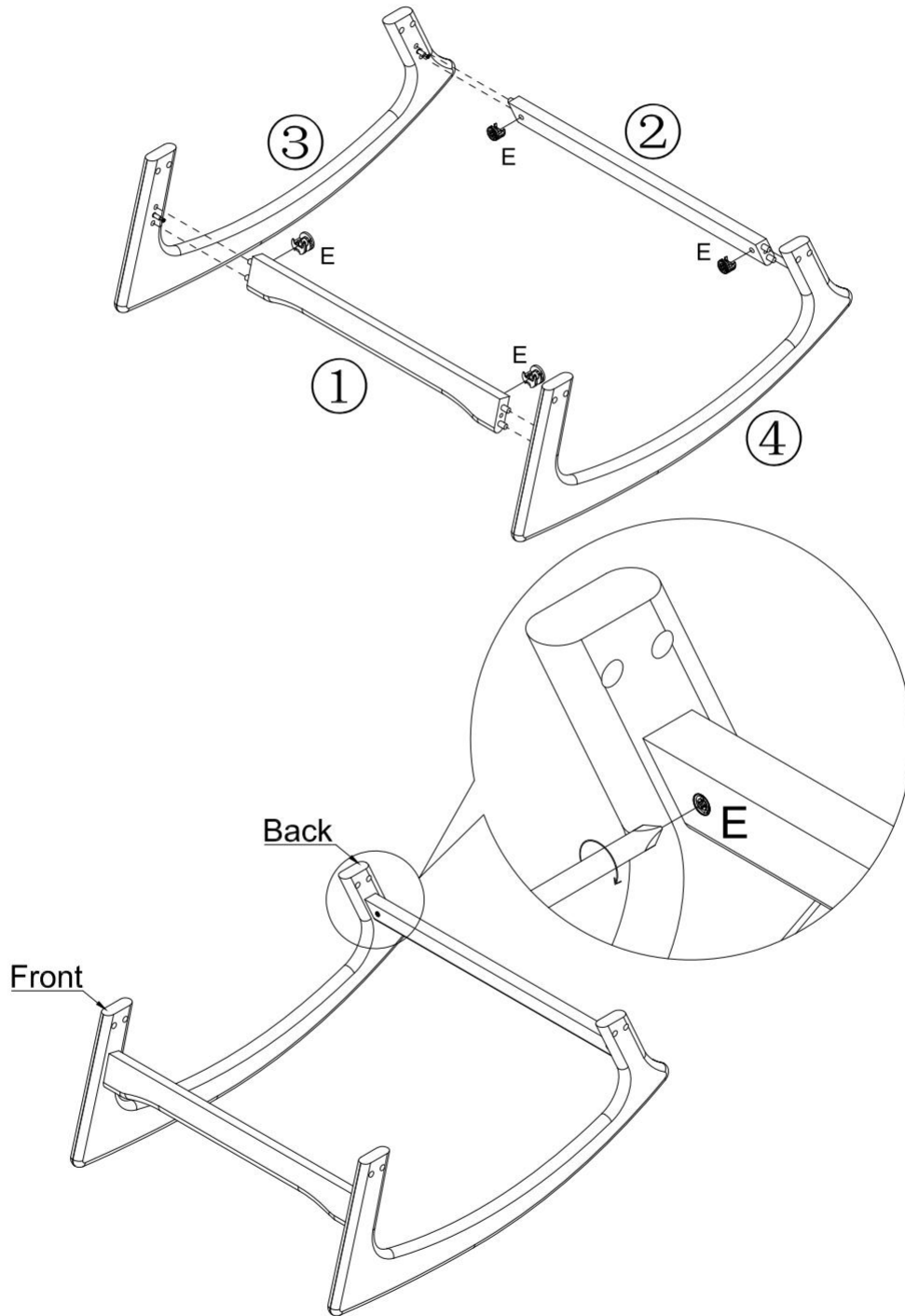
You need hardware		
F		4pcs



# Step 3



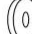

Connect the Front Leg Cross Bar ① and Rear Leg Cross Bar ② with the 2 legs by inserting the dowels of the crossbars into the pre-drilled holes of the 2 legs. Use the Phillips Screwdriver and turn the Cam Locks E 90 degrees clock wise.

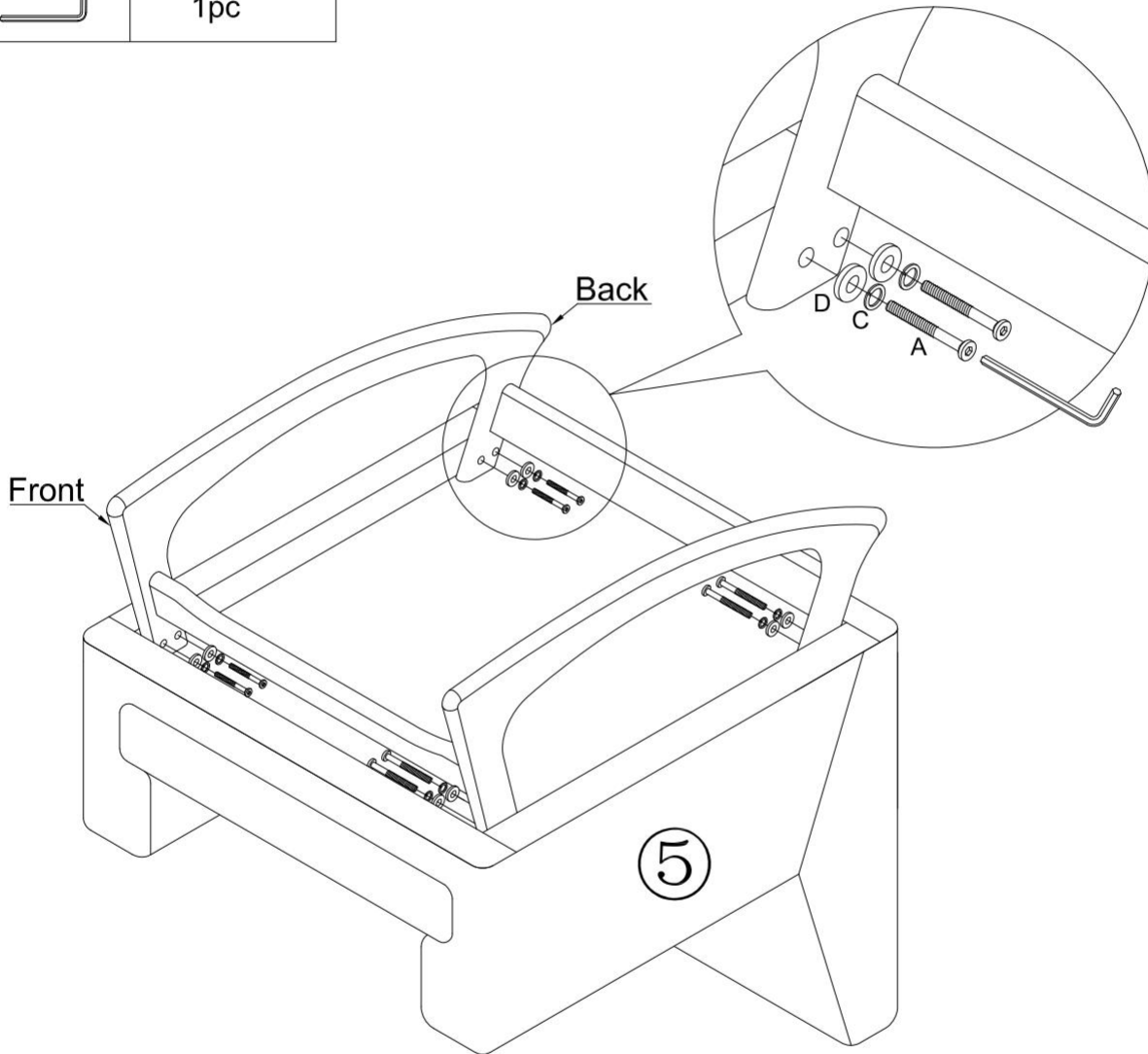
You need hardware		
E		4pcs



# Step 4

Connect the legs to the wooden frame of the Chair ⑤ by inserting Bolt A into the pre-inserted nuts of the wooden frame and bolt them tightly using the Allen Wrench G. Repeat same procedures for 4 corners.

You need hardware		
A		8pcs
C		8pcs
D		8pcs
G		1pc



## ATTENTION NOTICE :

After finished assembly, Please replace the base-covering-cloth post assembly.

Assembly is complete, chair is complete and ready to enjoy !

