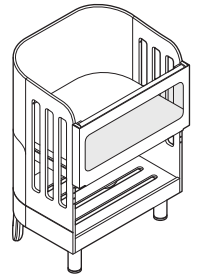


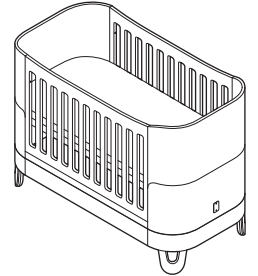
CO-SLEEPING
CRIB

0 to 6 months



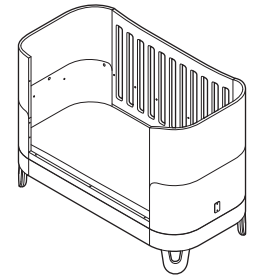
MAXI COT

0 to 3 year +



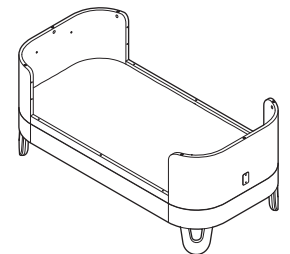
TODDLER
BED

3 to 4 year +



FIRST
BED

4 to 5 year +



COMPLETE SLEEP+ / CO-SLEEPING CRIB
Assembly instructions

**IMPORTANT: Please read
carefully and retain for
future reference**

Co-sleeping crib safety information

IMPORTANT: READ THESE INSTRUCTIONS CAREFULLY AND RETAIN FOR FUTURE REFERENCE

INSTRUCTIONS FOR SAFE USE

- **WARNING:** This product is intended for use for babies aged between 0 and 6 months, weighing up to a maximum of 9kgs . When a child is able to sit, kneel or to pull itself up, the crib shall not be used anymore for this child. Do not use the product if any part is broken, torn or missing.
- **WARNING:** Be aware of the risk of open fires and other sources of strong heat, such as electric bar fires, gas fires, etc.
- Before assembly, check that the product and all of its components have not been damaged during transportation. Should any part be damaged do not use and keep out of reach of children.
- Make sure the users of this product are knowledgeable on its proper operation.
- **WARNING:** the product is ready for use only when all locking mechanisms are engaged. Check carefully that these are engaged before use.
- **WARNING:** When the child is left unattended in the product, always make sure that the side rail is raised and the zippers are completely closed. All opening, adjusting, anchoring and positioning operations of the product must be carried out exclusively by an adult.
- **WARNING:** Before use in "Co-Sleeping Crib" mode (Fixed to the parent's bed) make sure the product is correctly positioned per page 13 of this instruction booklet.
- **WARNING:** When the product is used in "Co-Sleeping Crib" mode (Fixed to the parent's bed)", before laying the child in it, make sure that the connection belts are hooked and tensioned properly, the product must be secured to the parents' mattress and no gaps between the products and the adults' mattress must be present. .
- The product must always be placed on a horizontal surface. Never leave the product on an inclined surface with the child inside of it. .
- Children must not be permitted to play without supervision near the product.
- Keep the fastening belts away from the reach of children. .
- The thickness of the mattress must be such that the distance between the upper surface of the mattress to the upper edge of the crib sides is at least 350 mm. Do not use more than one mattress in the crib. .
- If you purchase a mattress separately, make sure it is suitable for the product. Do not leave any object inside the product that could reduce its depth.
- Do not position the cot near walls and obstacles to prevent trapping hazards.
- Do not leave small objects inside the product to prevent choking hazards.
- Use only spare parts approved by the manufacturer. Do not apply accessories to the product, which are not supplied by the manufacturer.
- Do not adjust the product with the child inside. Do not move the product with the child inside. Do not use the product with more than one child at a time.
- The product must be kept away from electric cables and cords: do not place the product near windows where cords, curtains or similar objects could pose choking or strangling hazards for the child. To avoid strangling hazards, do not give to your child or place near him, objects equipped with cords.
- A prolonged exposure to the sun may cause changes of tones to the product's colour.
- All assembly fittings should always be tightened properly and that care should be taken that no screws are loose, because a child could trap

parts of the body or clothing (e.g. strings, necklaces, ribbons for babies' dummies, etc.), which would pose a risk of strangulation.

- **Important** - "Co-Sleeper Adapter mode (Fixed to the parent's bed)", before laying the child in it, make sure that the connection belts are hooked and tensioned properly, the product must be secured to the parents' mattress and no gaps between the products and the adults' mattress must be present.
- The product must always be placed on a horizontal surface. Never leave the product on an inclined surface with the child inside of it.
- Children must not be permitted to play without supervision near the product.
- Do not use the product without the side panel (textile).
- Keep the fastening belts away from the reach of children.
- Co-Sleeper Adapter MODE (FIXING TO THE PARENT'S BED) The crib can be fixed to the parent's bed (Co-Sleeper Adapter mode).
- **WARNING - IMPORTANT FOR THE SAFETY OF YOUR CHILD:** this method is only possible with bed types that comply with all of the conditions described in this paragraph. In particular the side support of the crib should always be put close to the parent's mattress and the mattress should always be aligned with the height of the side support for restraint of the crib (see fig. "step 13"). Furthermore, the crib should be firmly fixed to the structure of the parents bed or to the mattress support (net or slats).
- **WARNING:** Check to make sure that the crib in the Co-Sleeper Adapter mode does not interfere with the parent's bed.
- **WARNING:** During use, make sure that the parents bed sheets, blankets etc. do not enter and cover the interior of the crib.
- In order to fix the crib to the parents bed (Co-Sleeper Adapter mode) use the pair of straps provided. Fix the straps around the structure of the parent's bed, from the bottom towards the top and fix the buckle

to form a loop. Repeat this operation on the other side. For easier installation, during fixing of the buckles, we suggest that the crib is kept at a short distance from the parent's bed. At this point, move the crib to the side of the parent's bed and tighten the loop by pulling the belts firmly. Carry out this operation on one side and then on the other side, adjusting the belts until the crib is firmly in contact with the parents mattress.

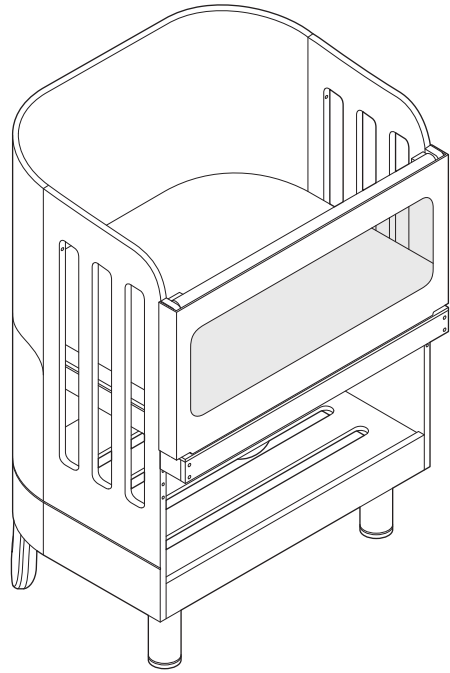
- **WARNING:** Before every use always check to make sure that there is no space between the parent's mattress and the side of the crib. If there is, pull the belts firmly to tighten until there's no space and the permitted condition of use has been restored.
- **WARNING:** When the product is used in the "Co-Sleeper Adapter Mode" {fixing to the bed, it should always be fitted to the long side of access to the bed. **DO NOT** fix the product to the head or bottom of the bed.
- **Recommend mattresses sizes:**
Co-sleeper crib: 52.75cm long x 66cm wide x 3.5cm depth

Maxi cot / Toddler bed / First bed safety information

IMPORTANT: READ THESE INSTRUCTIONS CAREFULLY AND RETAIN FOR FUTURE REFERENCE

INSTRUCTIONS FOR SAFE USE

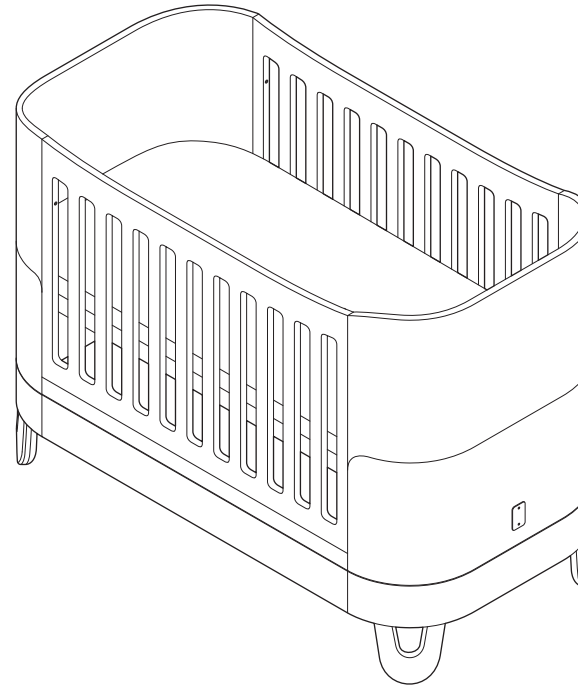
- **WARNING:** Be aware of the risk of open fires and other sources of strong heat, such as electric bar fires, gas fires, etc. in the near vicinity of the cot.
- **WARNING:** Do not use the cot/bed if any part is broken, torn or missing and use only spare parts approved by Gaia baby.
- **WARNING:** Do not leave anything in the cot or place the cot next to another product which could provide a foothold or present a danger of suffocation or strangulation, e.g. strings, blind/curtain cords, etc.
- **WARNING:** Do not use more than one mattress in the cot.
- **WARNING:** When converted to a child's bed, do not place this bed near heat sources, windows and other furniture.
- **WARNING:** To prevent falls, the mattress base of this cot should be adjusted to the lowest position before the child can sit up unaided.
- **Recommend mattresses sizes:**
 - Maxi Cot:** 135cm long x 65cm wide x 10cm depth
 - Toddler bed:** 135cm long x 65cm wide x 10cm depth.
 - First bed:** 135cm long x 65cm wide x 10cm depth.
- The line engraved on the cot side indicates the maximum thickness of a mattress that can be used with this cot when the bed base is in the top position.
- The thickness of the mattress chosen shall be such that the internal height (surface of the mattress to the upper edge of the cot frame) is at least 500mm in the lowest position of the bed base and at least 200mm in the highest position of the bed base.
- Children are likely to play, bounce, jump and climb on beds, therefore the child's bed should not be placed too close to other furniture or windows, and should be placed either tight to any wall or have a gap of 300mm between the wall and the side of the bed.
- The mattress should be no more than 30mm shorter or narrower than the internal length or width of the cot.
- Please ensure that all fittings are tightened properly before use. Fittings should be checked and tightened regularly every 2 to 3 weeks.
- Your cot and bed may be cleaned with a damp cloth. Never use bleach or abrasives cleaning agents as this will damaged the surface.
- To prevent injury from falls, once the child is able to climb out of the cot, it should no longer be used for that child. You should now convert to either the Toddler bed or First bed.
- This cot bed is intended for children aged from birth to 4 years approximately.
- When converted to a child's bed, this cot bed conforms to BS 8509:2008 + A1 2011.



CO-SLEEPING CRIB

Age range: 0 to 6 months+

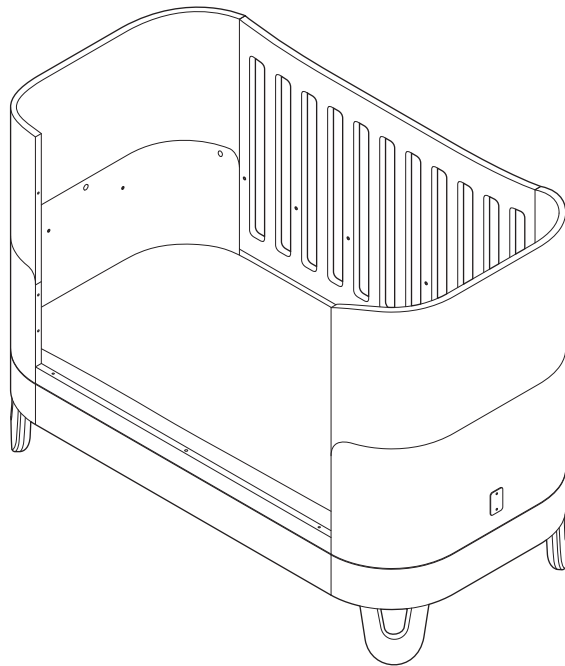
Assembly: Pages 6 to 13



MAXI COT

Age range: 0 to 3 years +

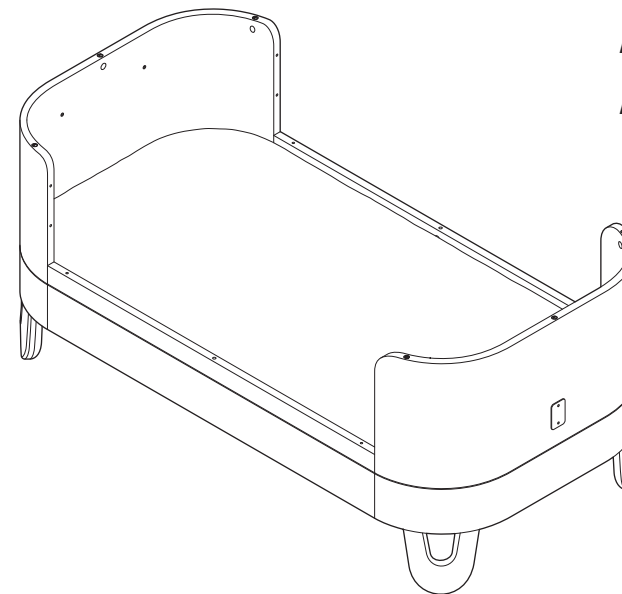
Assembly: Pages 17 to 25



TODDLER BED

Age range: 3 to 4 years +

Assembly: Pages 26 to 27


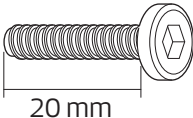
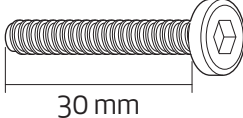
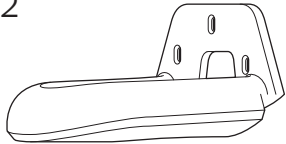
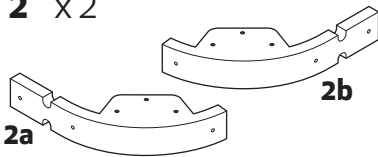
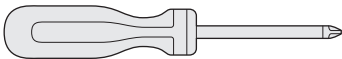

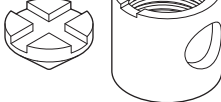
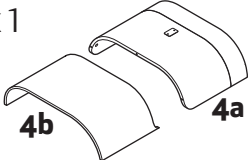
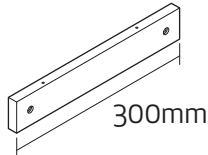
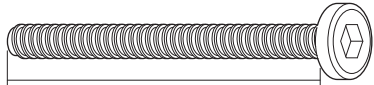

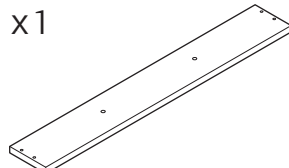
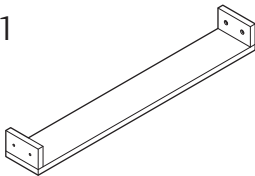
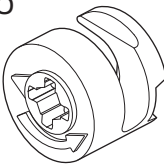
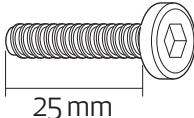
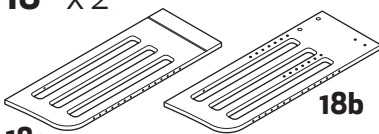
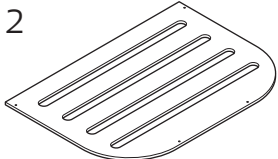
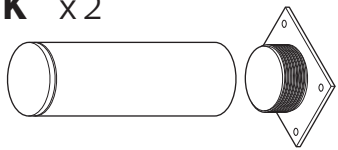
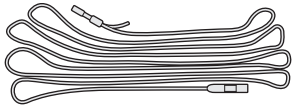
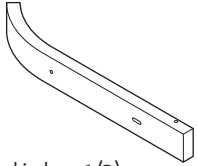
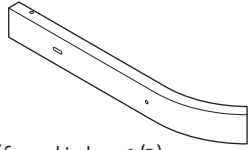
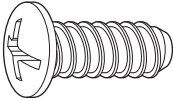
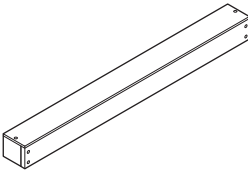
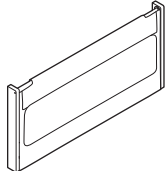


FIRST BED

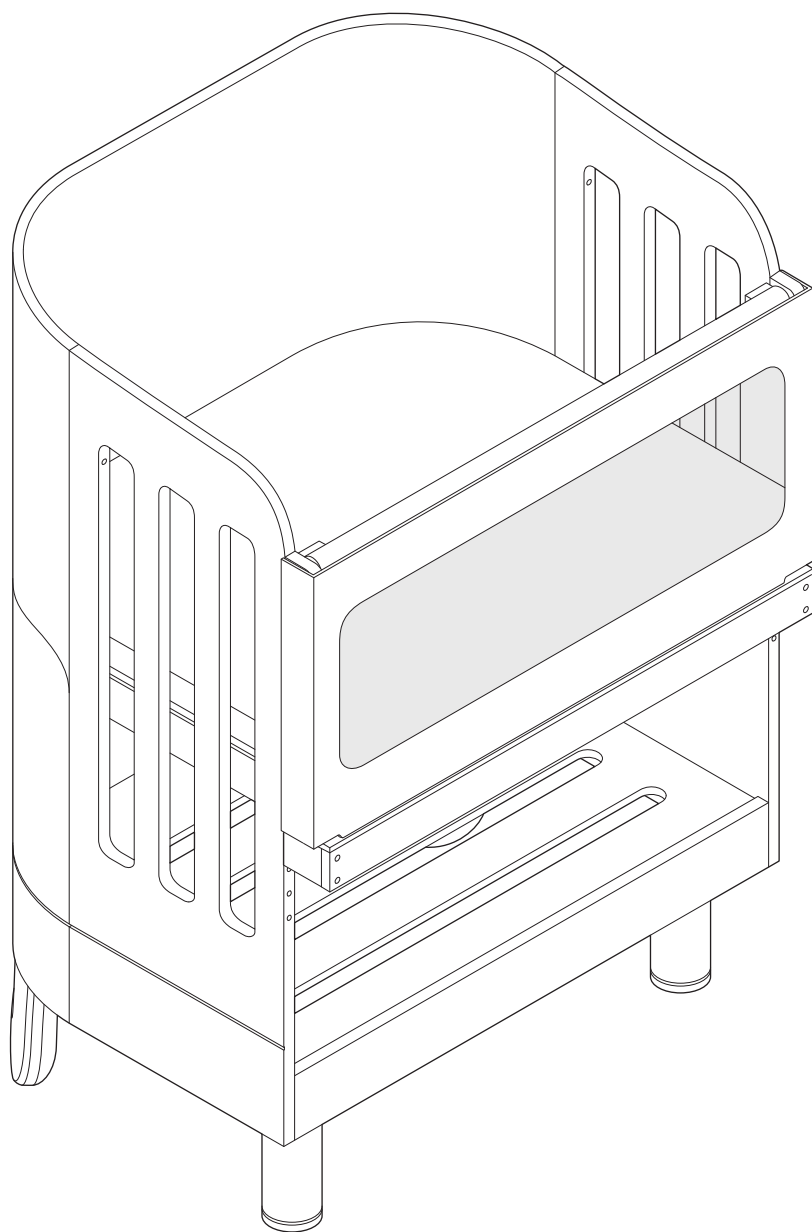
Age range: 4 to 5 years +

Assembly: Pages 28 to 29

To complete assembly you will need to have the below tools, components and fittings ready

TOOLS	CO-SLEEPER CRIB FITTINGS		CO-SLEEPING CRIB COMPONENTS	
 Allen key Supplied	A x 4  20 mm	B x 22  30 mm	1 x 2  (found in box 1/3)	2 x 2  (found in box 1/3)
 Cross head screwdriver Not supplied	C x 3 	D x 3 	4 Box 1  (found in box 1/3)	5 x 2  300mm (found in box 3/3)
<p>IMPORTANT PLEASE READ CAREFULLY</p> <p>Keep all fittings not used in a safe place away from young children for future use.</p> <p>Please ensure that bolts & screws are not over-tightened. Failure to do this will result in potential damage.</p> <p>When assembling, do not fully tighten the bolts on the cot/crib sides until the product is fully assembled. This will help with assembly.</p>	E x 6  50 mm	F x 6 	16 x 1  (found in co-slp adaptor box)	17 x 1  (found in co-slp adaptor box)
	G x 6 	J x 4  25 mm	18 x 2  (found in co-slp adaptor box)	10 x 2  (found in box 1/3 and 2/3)
	K x 2  (found in co-slp adaptor box)	L x 2  (found in co-slp adaptor box)	8 x 1  (found in box 1/3)	9 x 1  (found in box 1/3)
	M x 8 		19 x 1  (found in co-slp adaptor box)	23 x 1  (found in co-slp adaptor box)

ASSEMBLING THE CO-SLEEPING CRIB

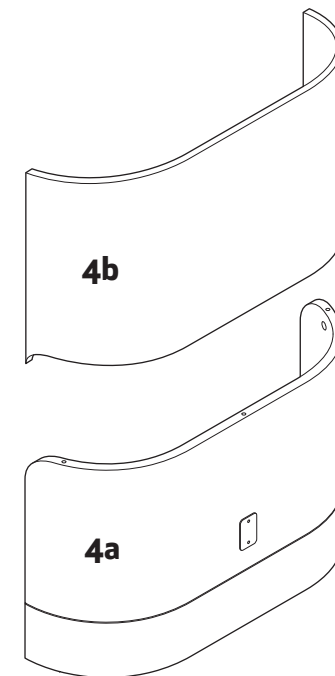


CRIB END INFORMATION

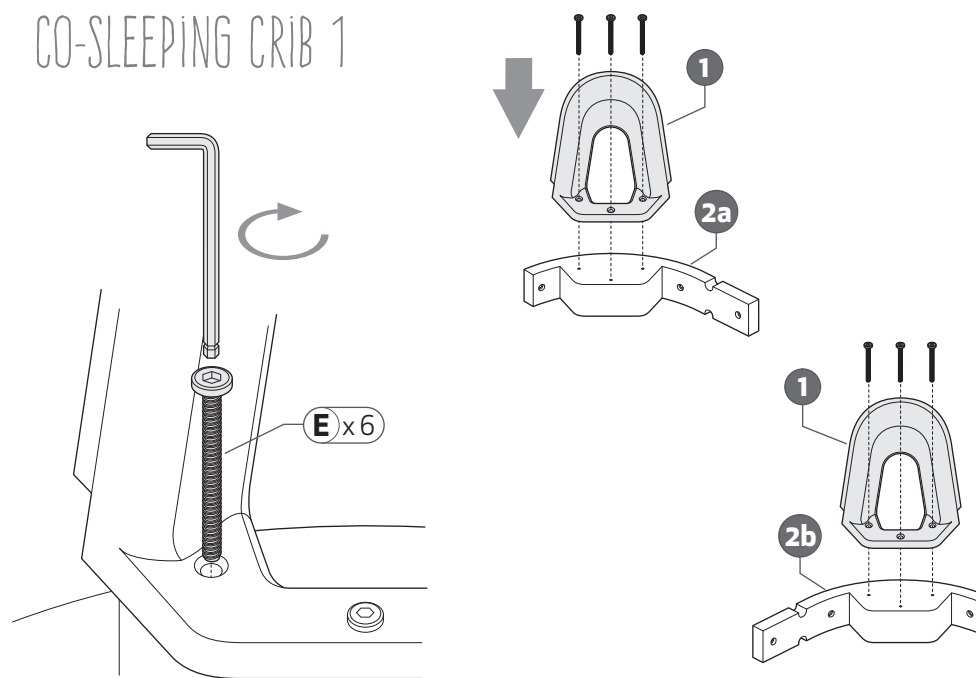
Note: Crib ends are from **BOX 1**.

IMPORTANT: Please ensure that parts **4a** & **4b** are always kept together and used as a pair.

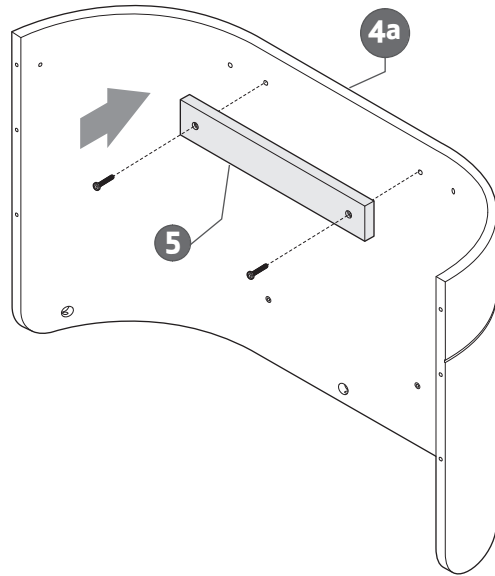
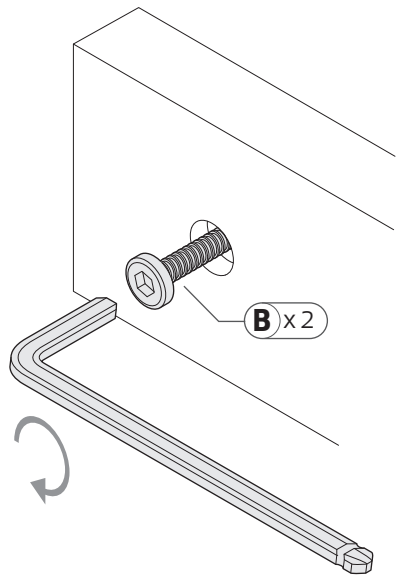
Failure to do so will result in potential damage and miss alignment.



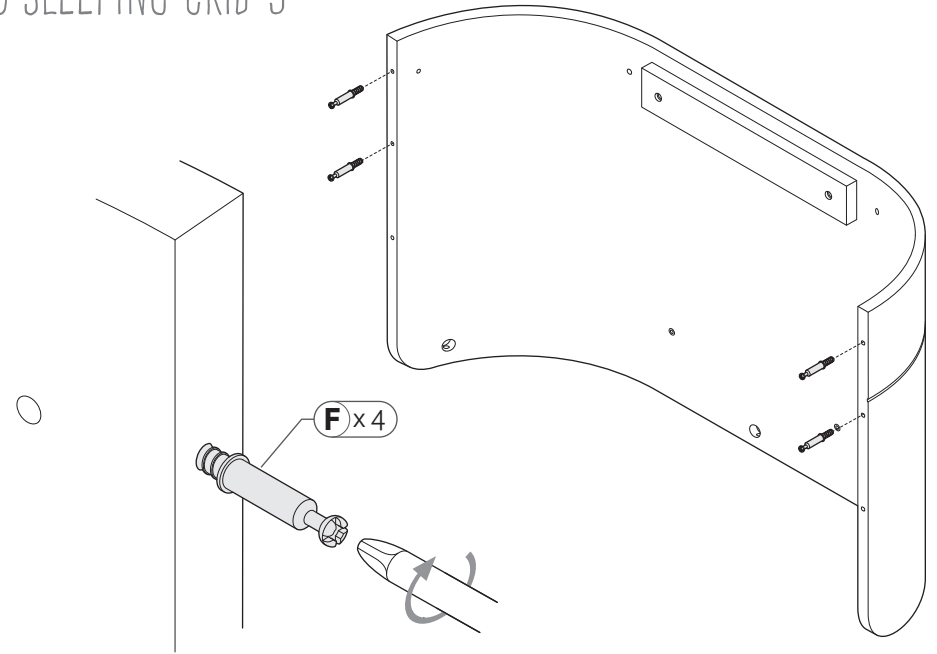
CO-SLEEPING CRIB 1



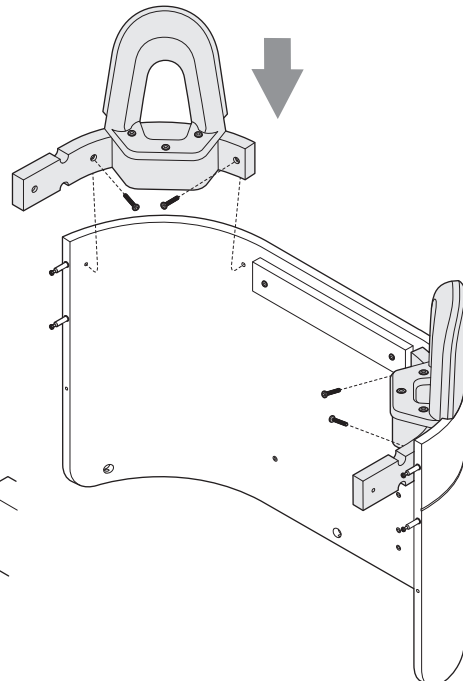
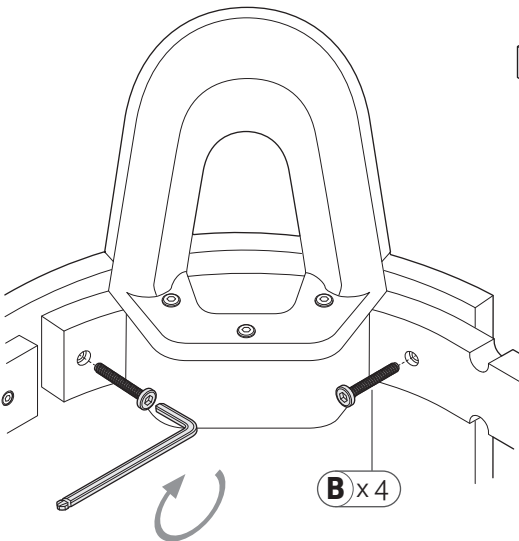
CO-SLEEPING CRIB 2



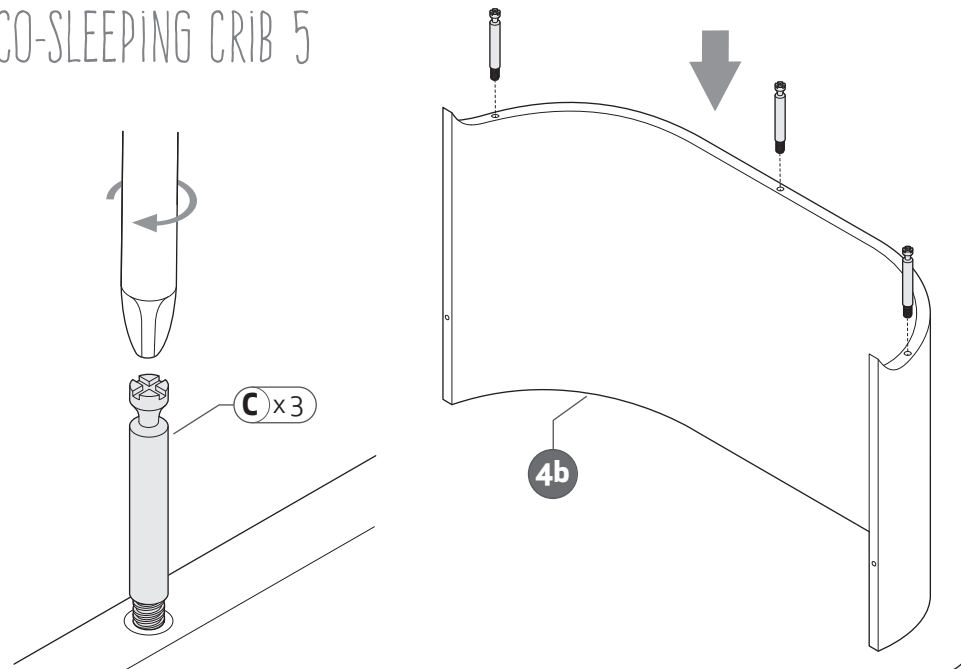
CO-SLEEPING CRIB 3



CO-SLEEPING CRIB 4



CO-SLEEPING CRIB 5

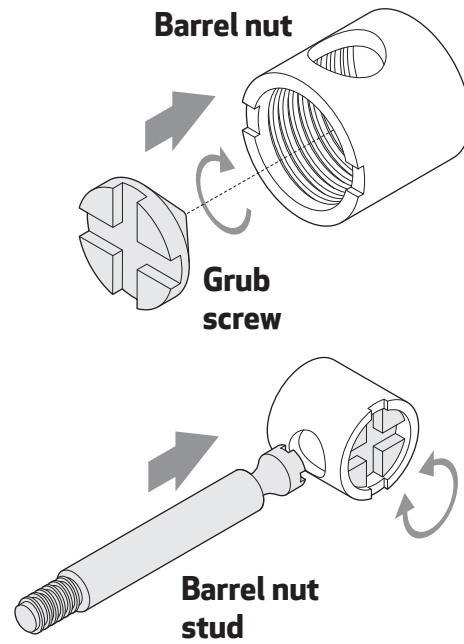


USING BARREL NUTS

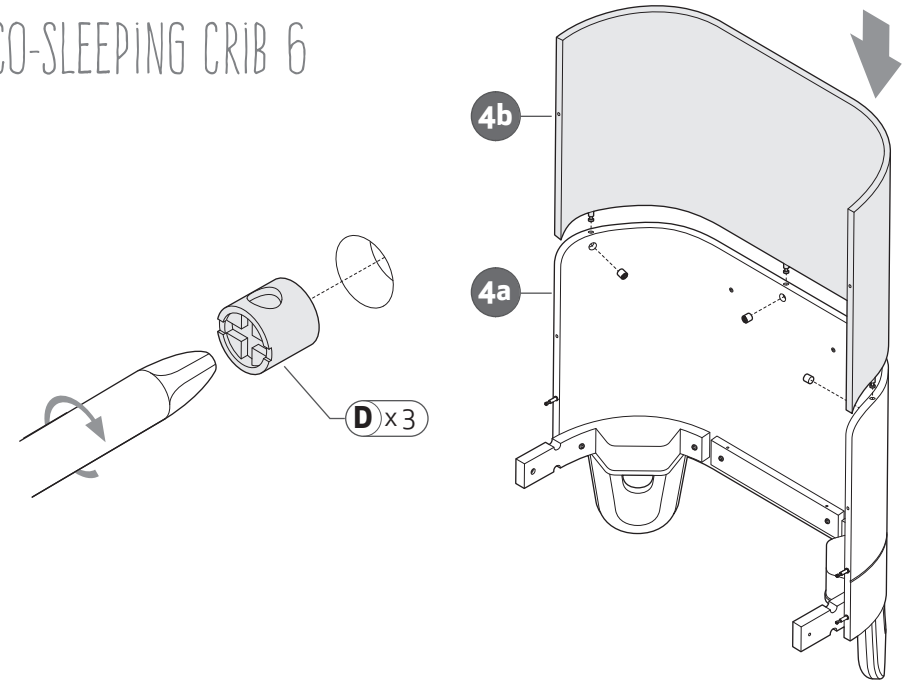
The barrel nuts come in two parts the barrel and the grub screw. Insert the grub screw into the end of the barrel and turn clockwise.

Before inserting the barrel nuts into the holes in the component, ensure the end of the barrel nut stud will fit into the barrel nut.

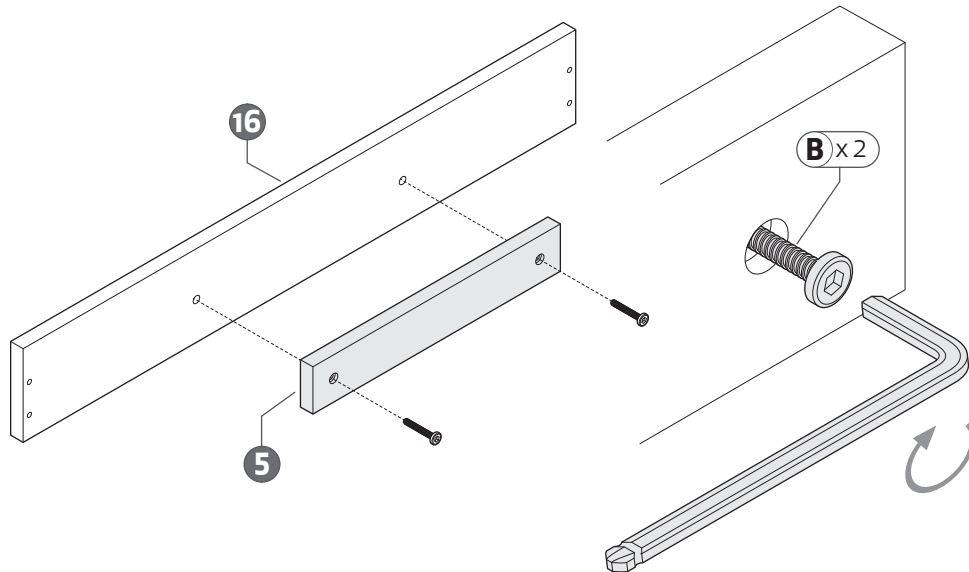
If the stud does not fit turn the grub screw anti-clockwise until the stud can be inserted.



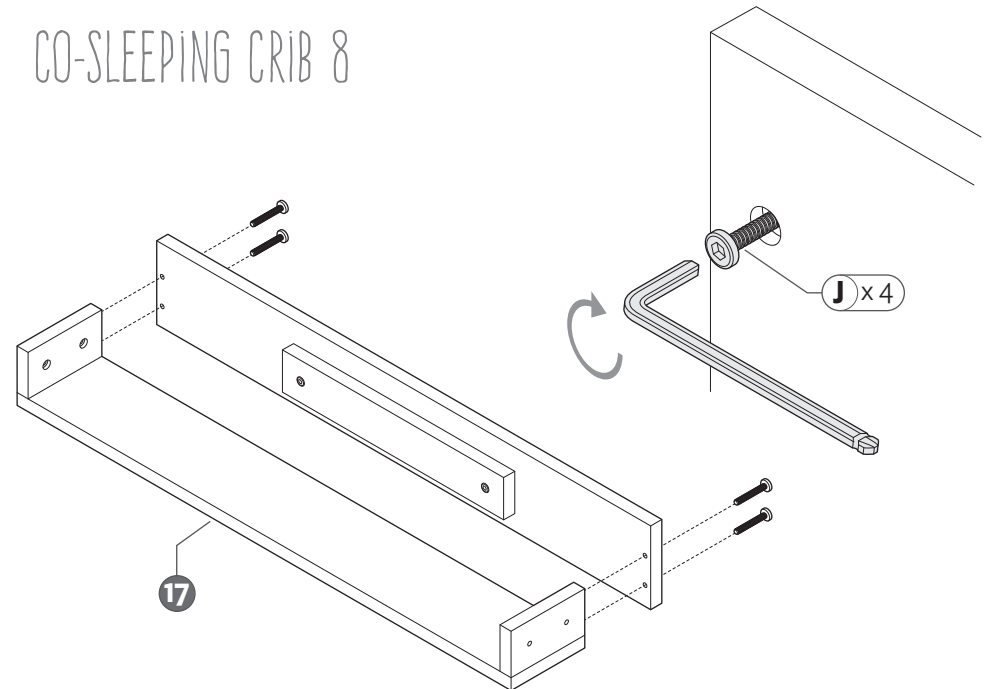
CO-SLEEPING CRIB 6



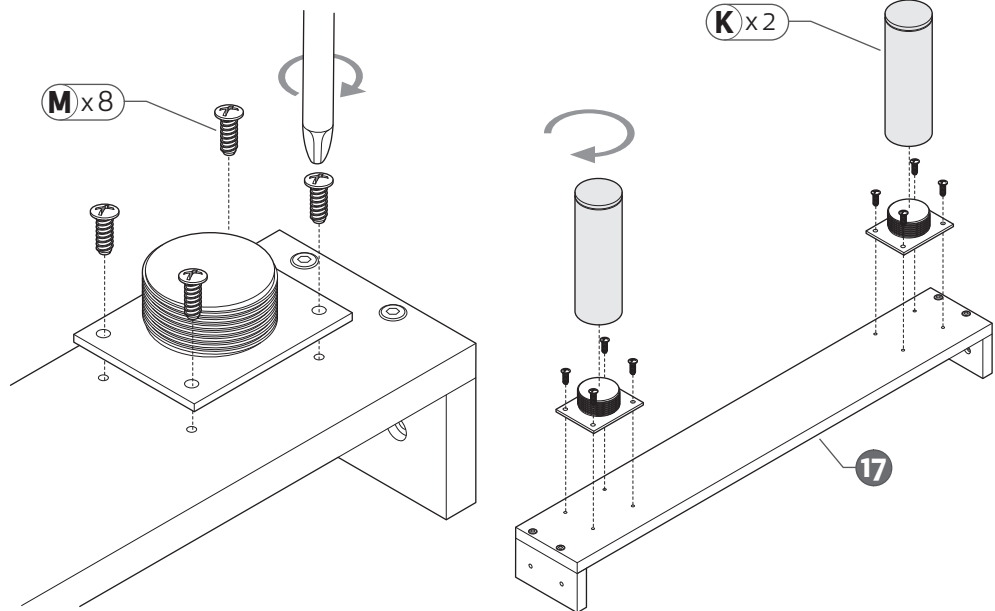
CO-SLEEPING CRIB 7



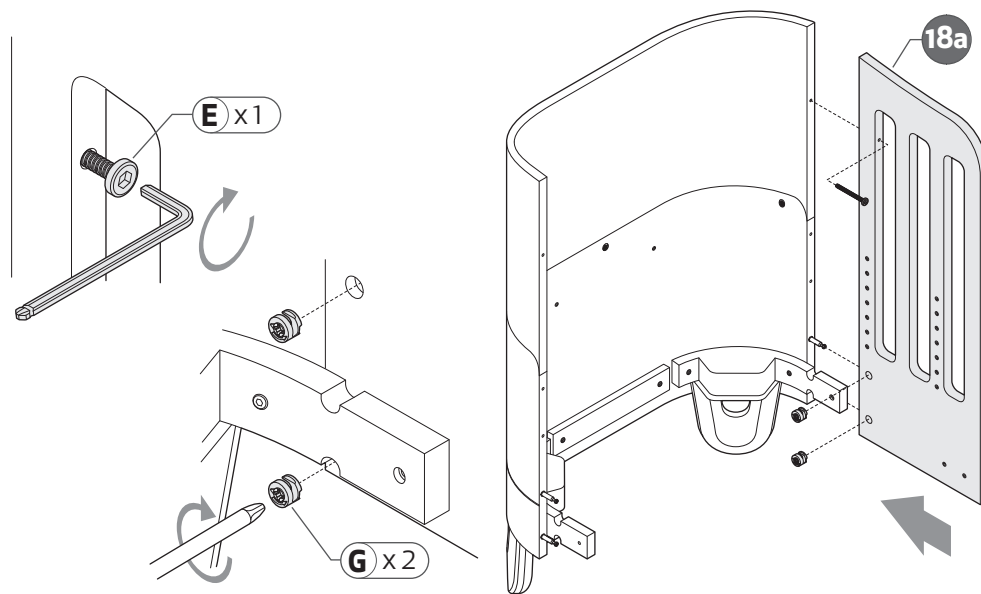
CO-SLEEPING CRIB 8



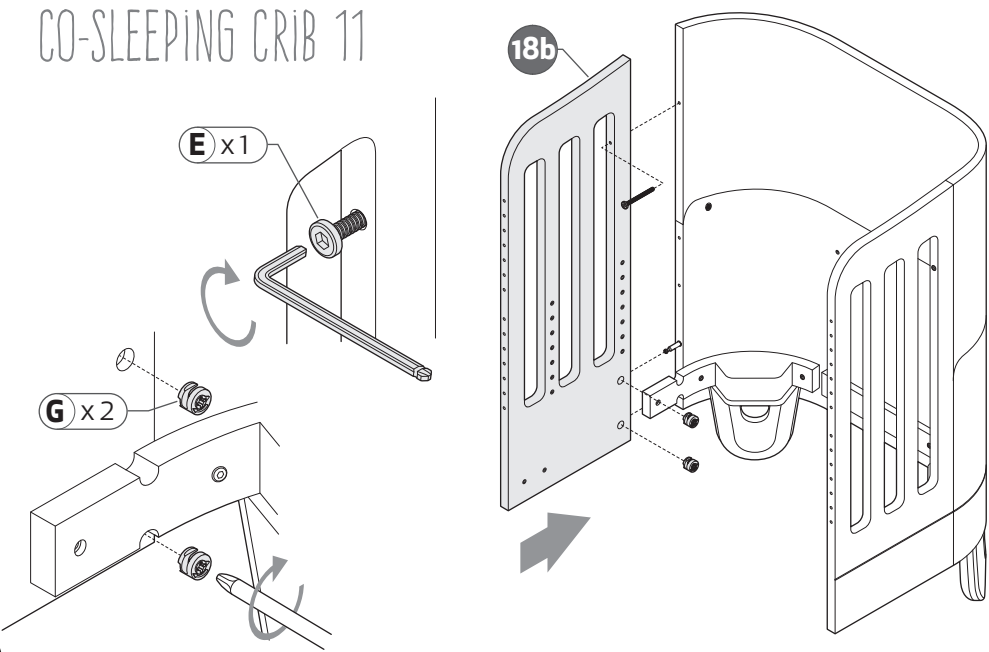
CO-SLEEPING CRIB 9



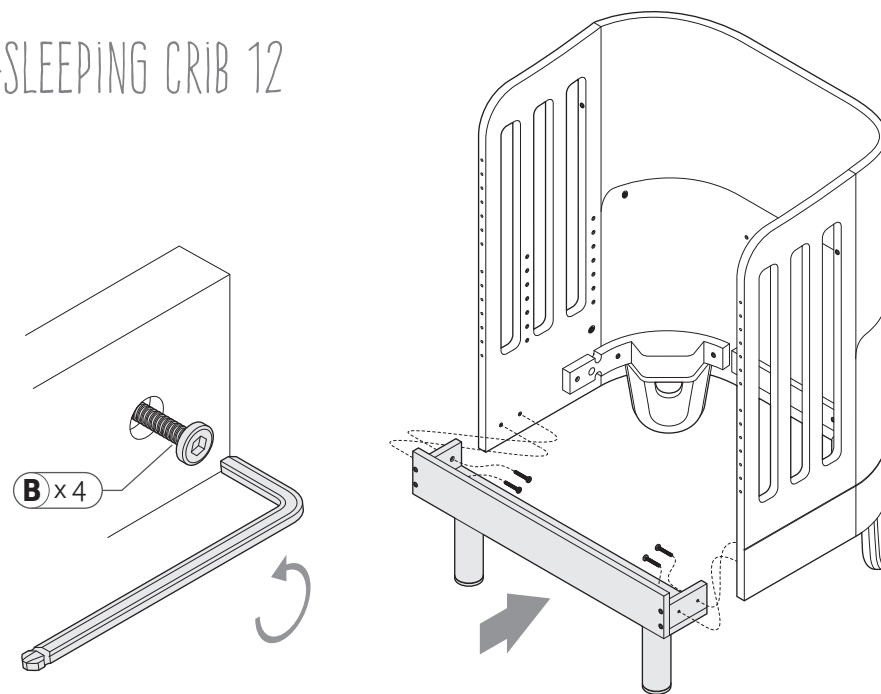
CO-SLEEPING CRIB 10



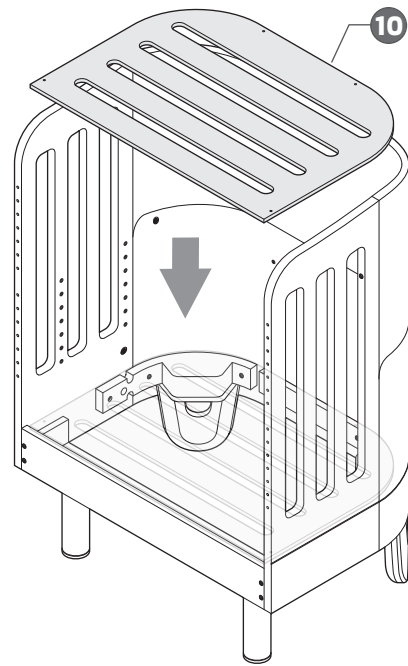
CO-SLEEPING CRIB 11



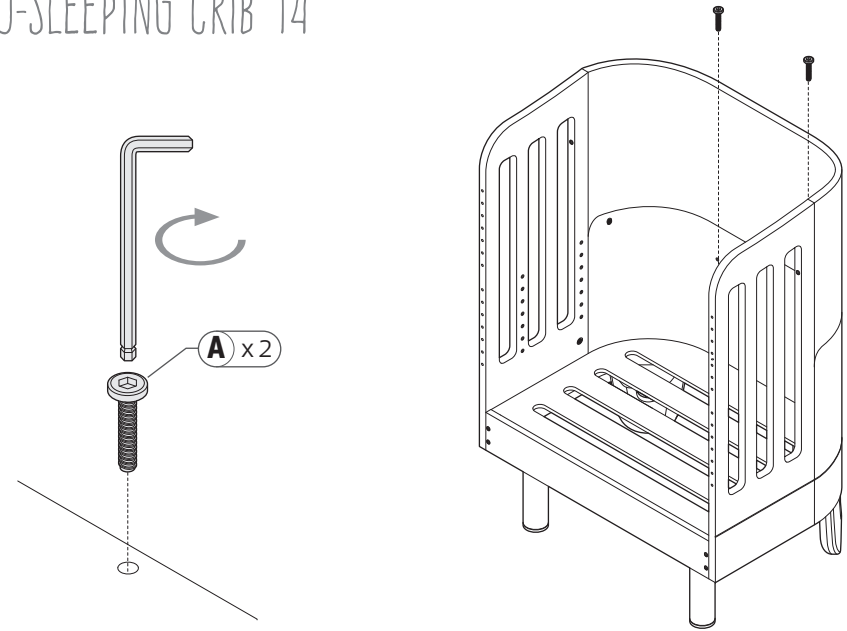
CO-SLEEPING CRIB 12



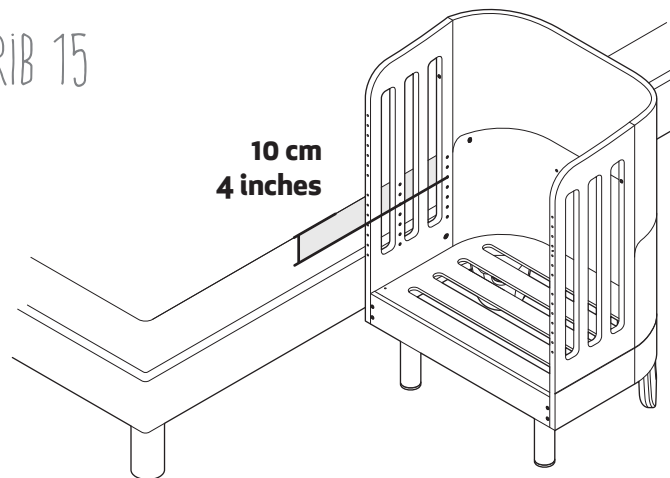
CO-SLEEPING CRIB 13



CO-SLEEPING CRIB 14



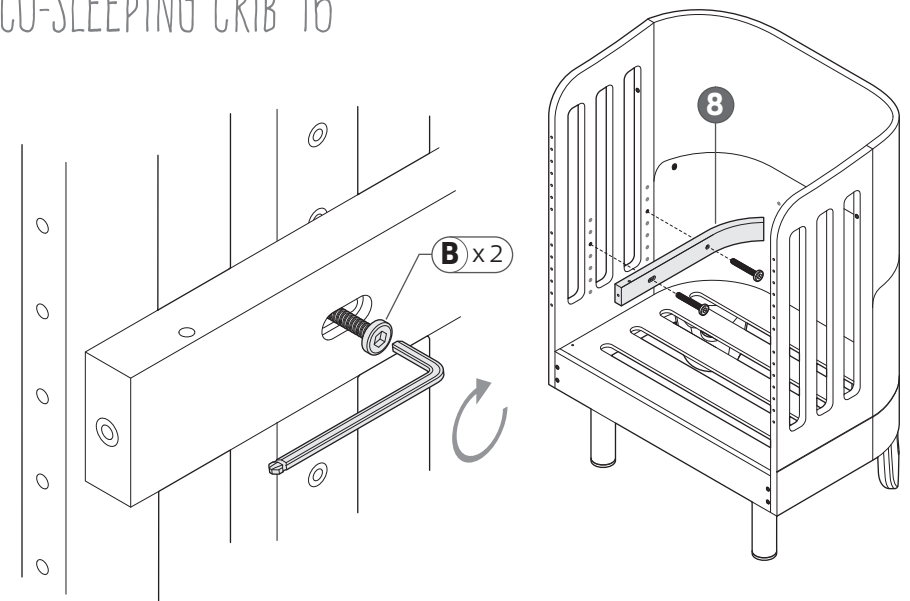
CO-SLEEPING CRIB 15



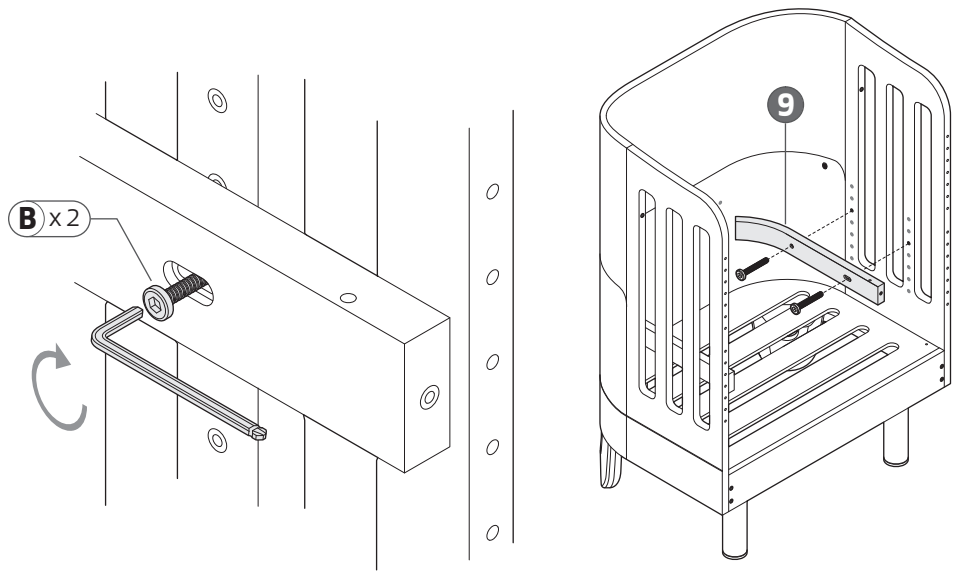
Crib base position

IMPORTANT: Before fitting the base supports (Parts 8 & 9) to the inside of the crib, ensure they are a minimum of 10cm (4 inches) below the upper surface of the beds mattress.

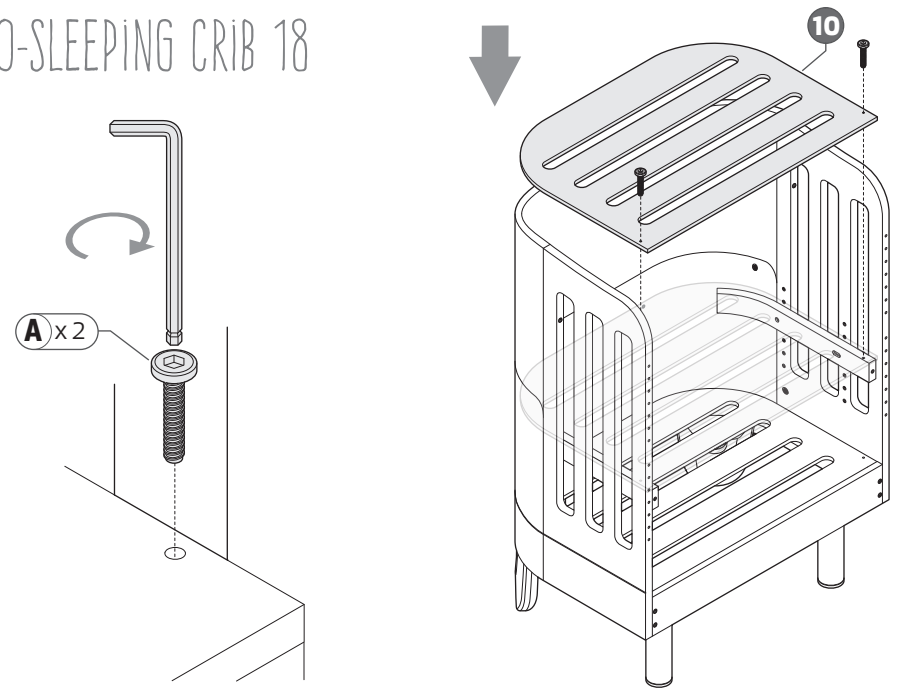
CO-SLEEPING CRIB 16



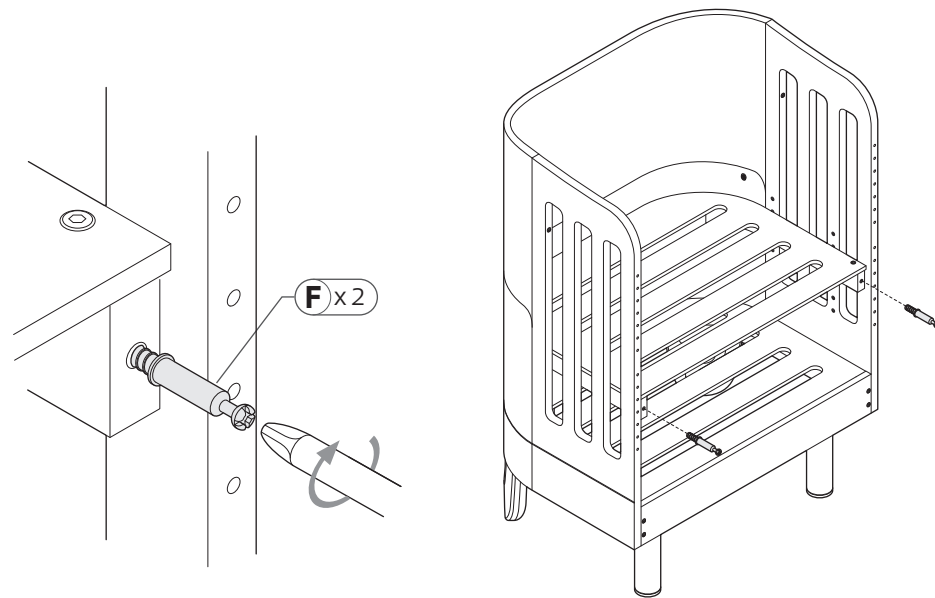
CO-SLEEPING CRIB 17



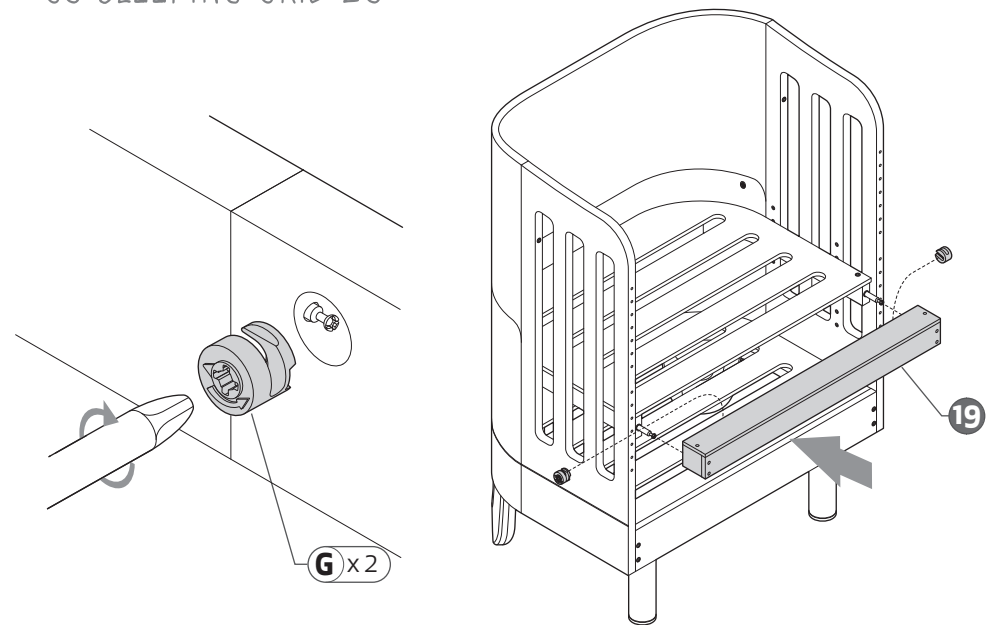
CO-SLEEPING CRIB 18



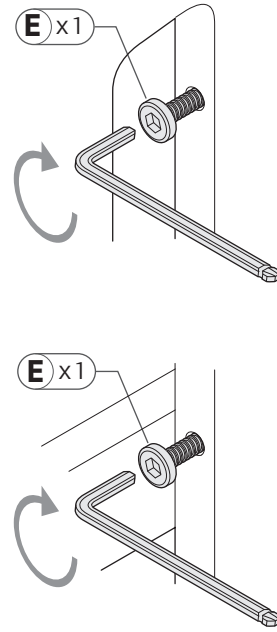
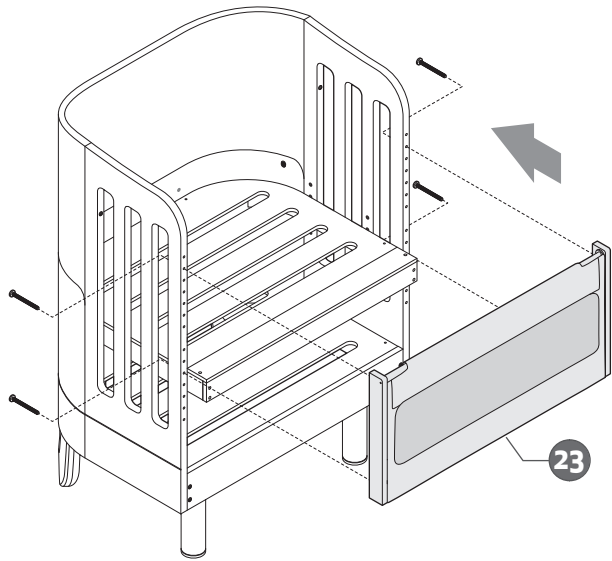
CO-SLEEPING CRIB 19



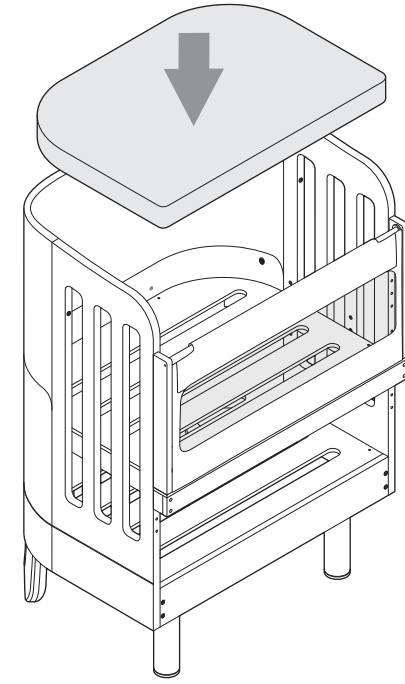
CO-SLEEPING CRIB 20



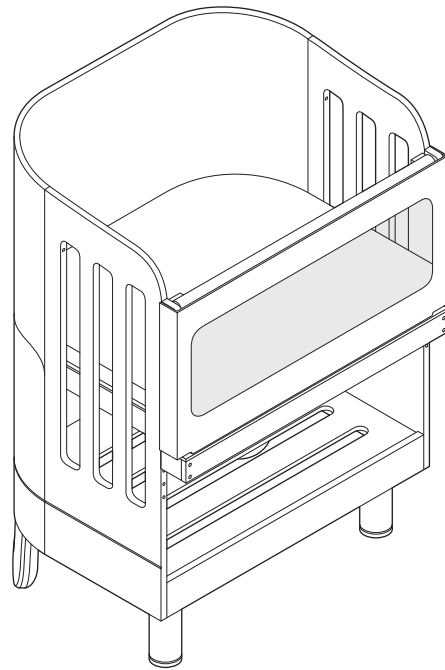
CO-SLEEPING CRIB 21



CO-SLEEPING CRIB 22



ASSEMBLY COMPLETE



ATTACHING TO YOUR BED

1. (For easier installation, during fixing of the buckles, we suggest that the crib is kept at a short distance from the parent's bed). Wrap the strap (**L**) around the front legs of the crib as shown in diagram **A**.

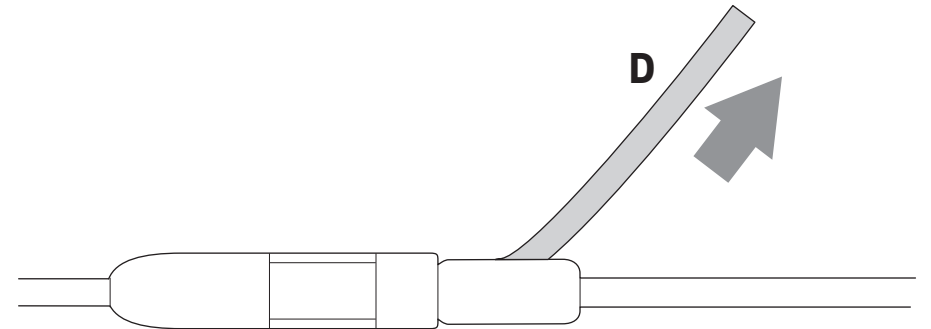
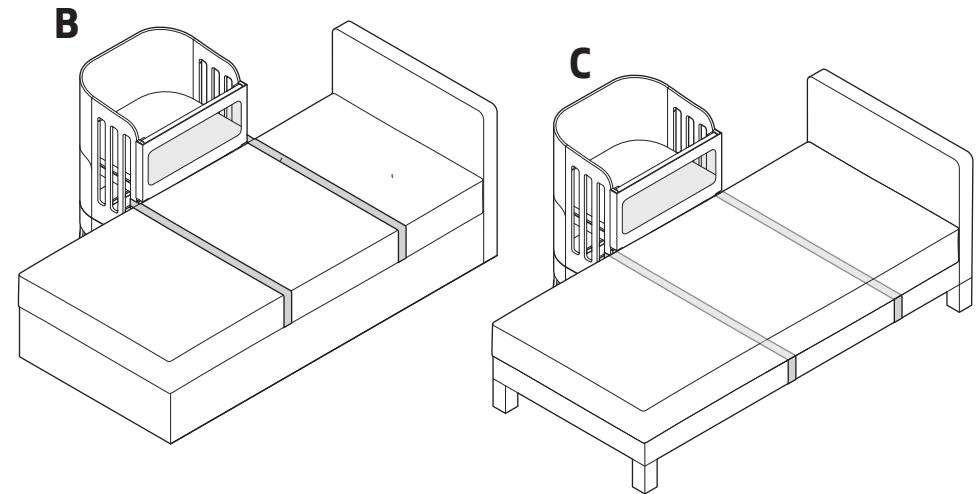
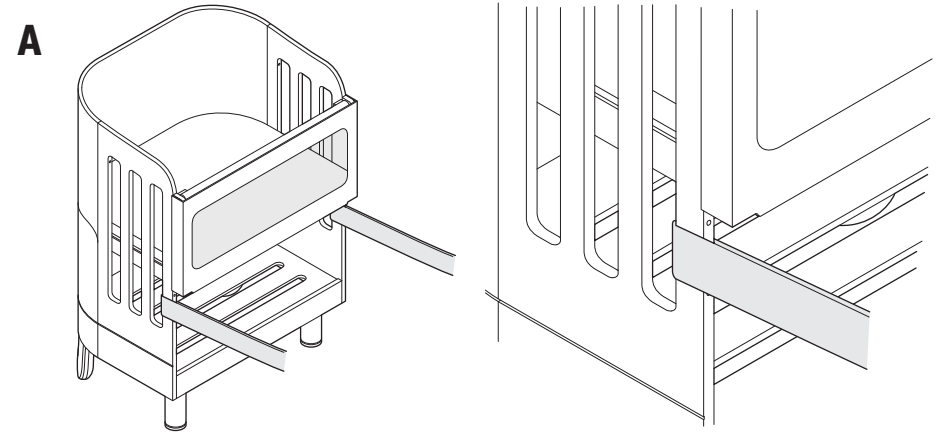
Note: The straps used to attach the crib to the bed can be fitted in two different ways according to the bed you want to attach the crib to.

2. **Attaching to the mattress:** Pass the straps under the bottom of the mattress and then over the top. Slot the two sections of the buckle together until they lock (diagram **B**).

Attaching to the bed frame: Remove the mattress, pass the straps under the bed frame and then over the top. Slot the two sections of the buckle together until they lock (diagram **C**).

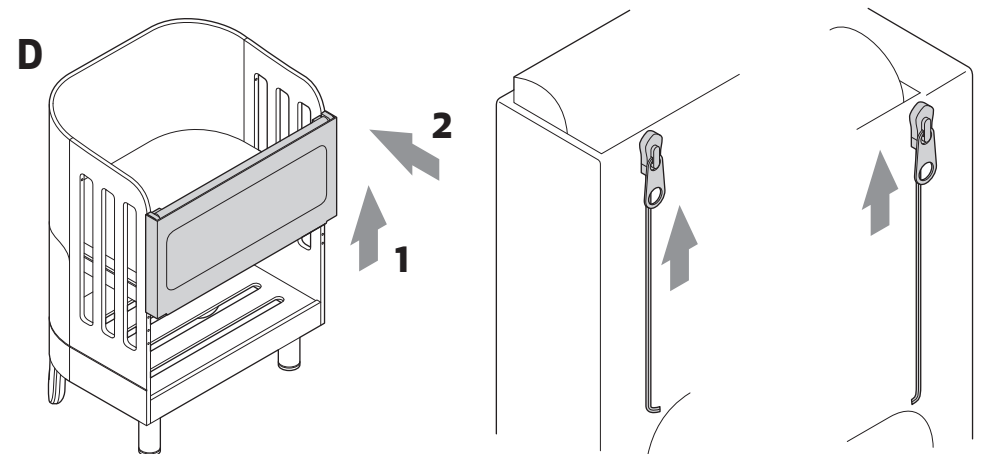
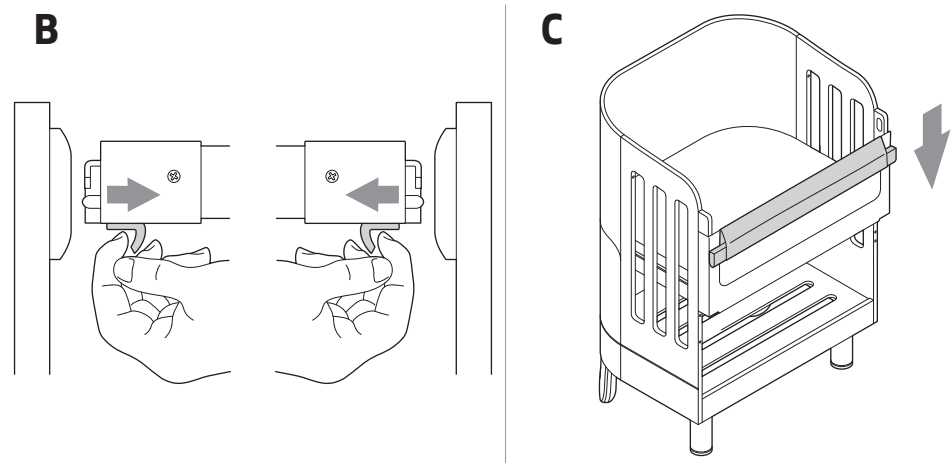
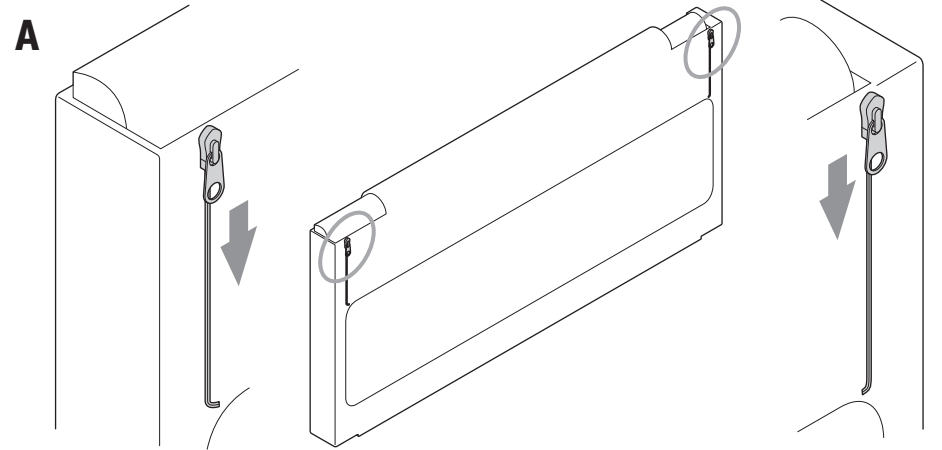
3. Tighten the loops by pulling the loose ends of the firmly to remove any slack (diagram **D**).

IMPORTANT: Please ensure that you have read all safety instructions before using the Co-Sleeper Adapter.



RAISING AND LOWERING THE FRONT PANEL

1. To lower the textile side, firstly lower the zips on both sides of the front panel (**A**).
2. Slide the release catches inwards to release the locking bolts as shown (**B**), now lower the front panel down (**C**).
3. To refit the front panel, lift upwards and slot back into the locking points, you will hear a 'click' (when it locks in place then re-zip the side panels (**D**).

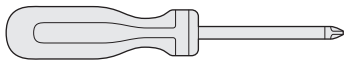


TOOLS



Allen key

Supplied



Cross head screwdriver

Not supplied

IMPORTANT

PLEASE READ CAREFULLY

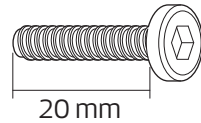
Keep all fittings not used in a safe place away from young children for future use.

Please ensure that bolts & screws are not over-tightened. Failure to do this will result in potential damage.

When assembling, do not fully tighten the bolts on the cot/crib sides until the product is fully assembled. This will help with assembly.

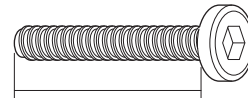
MAXI COT FITTINGS

A x12



20 mm

B x36

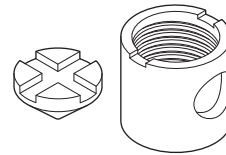


30 mm

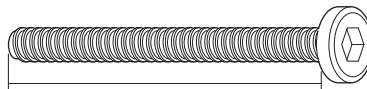
C x6



D x6



E x16

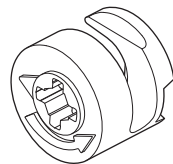


50 mm

F x10



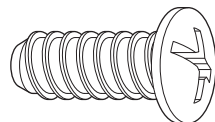
G x10



H x4

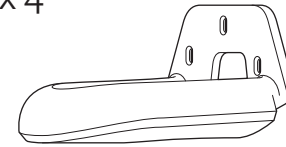


I x6

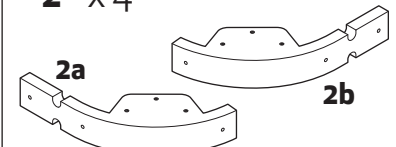


MAXI COT COMPONENTS

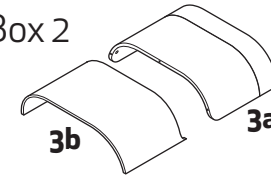
1 x4



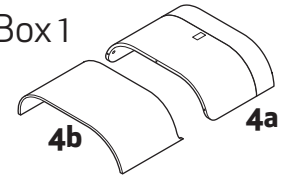
2 x4



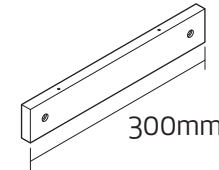
3 Box 2



4 Box 1

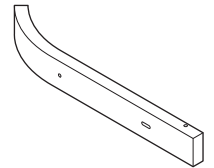


5 x4

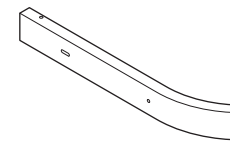


300mm

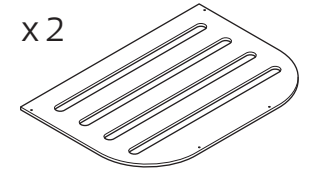
8 x2



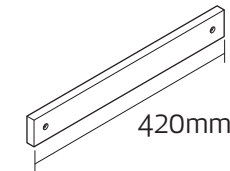
9 x2



10 x2

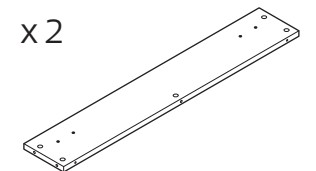


11 x2

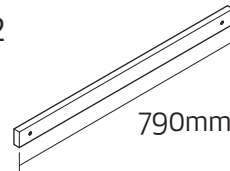


420mm

12 x2

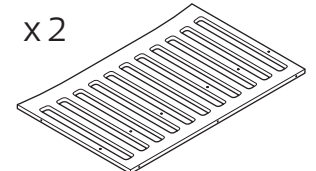


13 x2

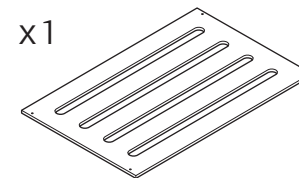


790mm

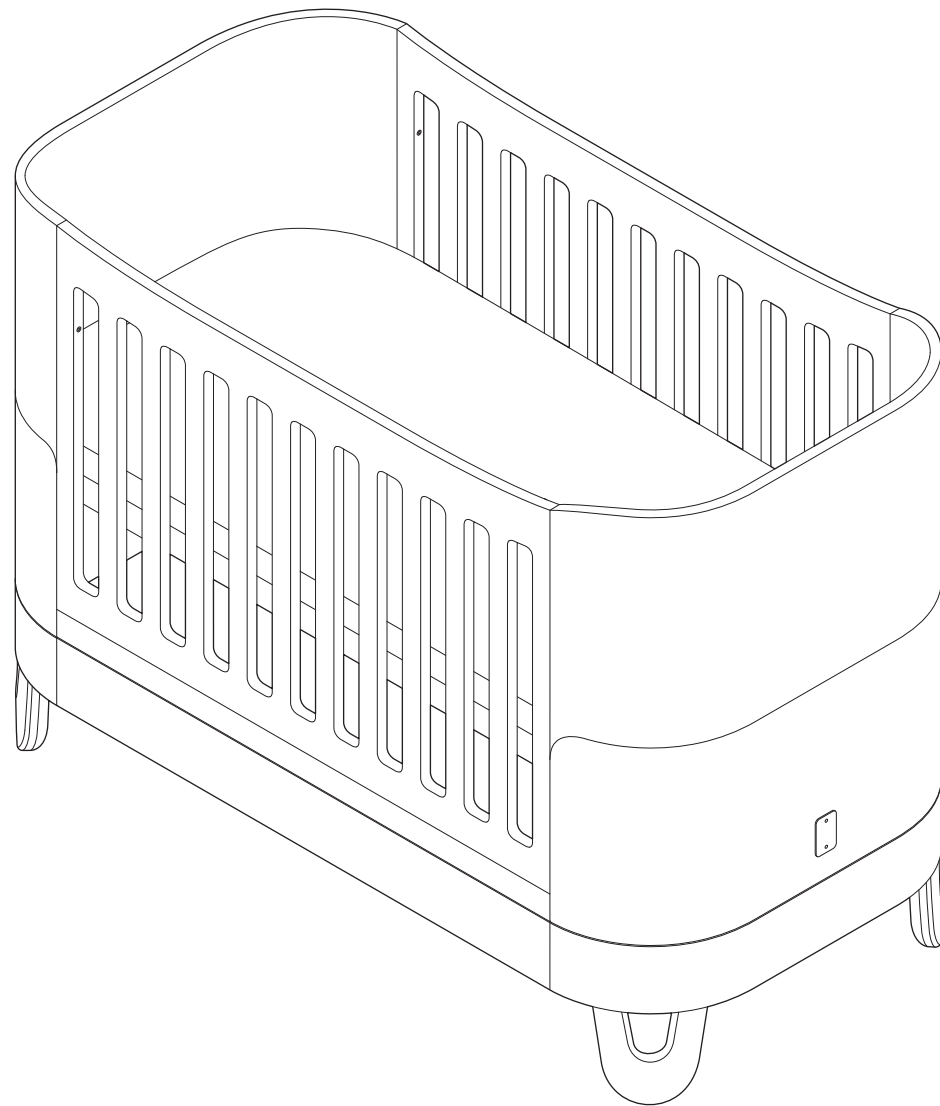
14 x2



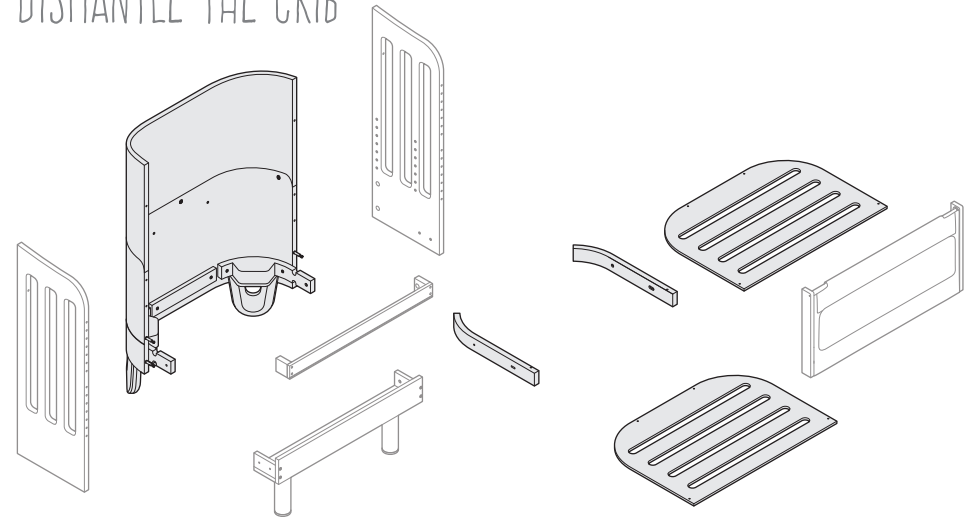
15 x1



MAXI COT ASSEMBLY



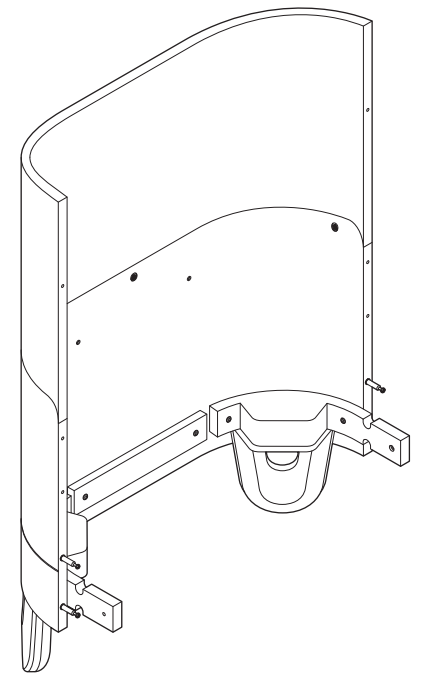
DISMANTLE THE CRIB



IMPORTANT: After dismantling the crib, keep the components shown in grey to build the cot and store the other components in a safe place.

CRIB END

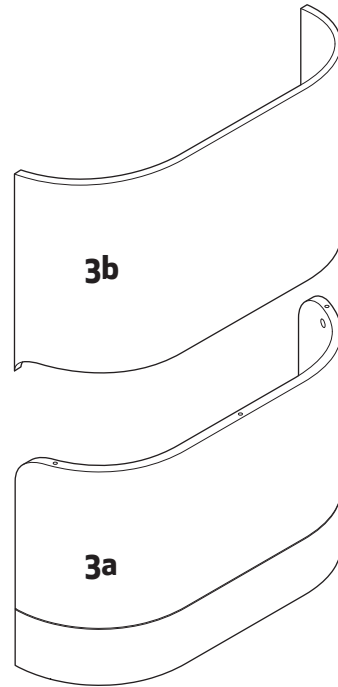
IMPORTANT: Do not dismantle parts **16a** & **16b** as they are required when building the cot and.



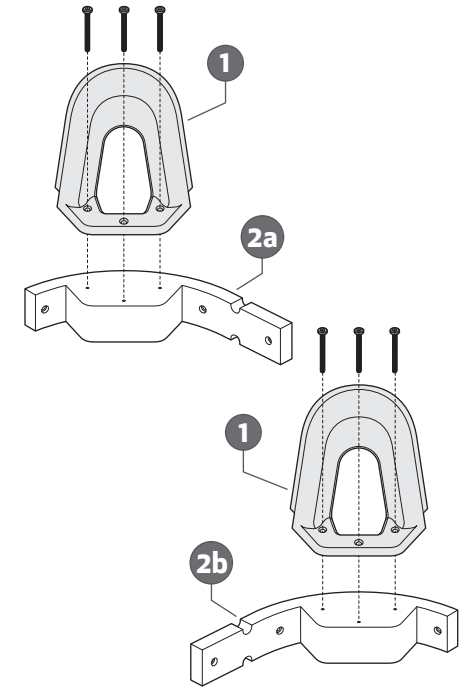
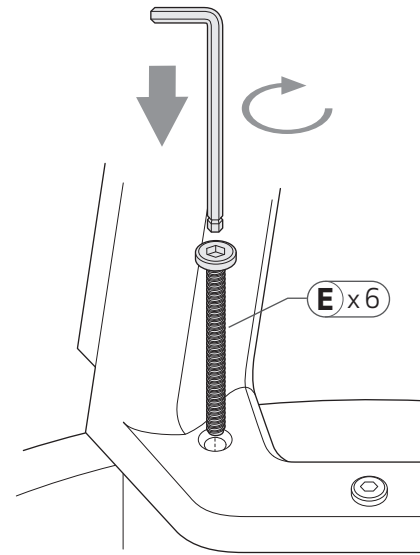
CRIB END INFORMATION

IMPORTANT: Please ensure that parts **3a** & **3b** are always kept together and used as a pair.

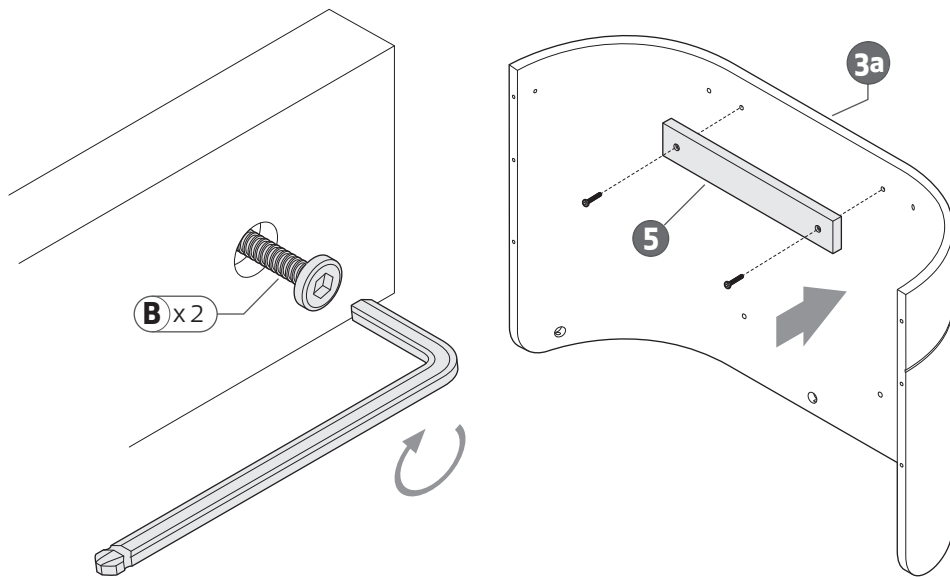
Failure to do so will result in potential damage and miss alignment.



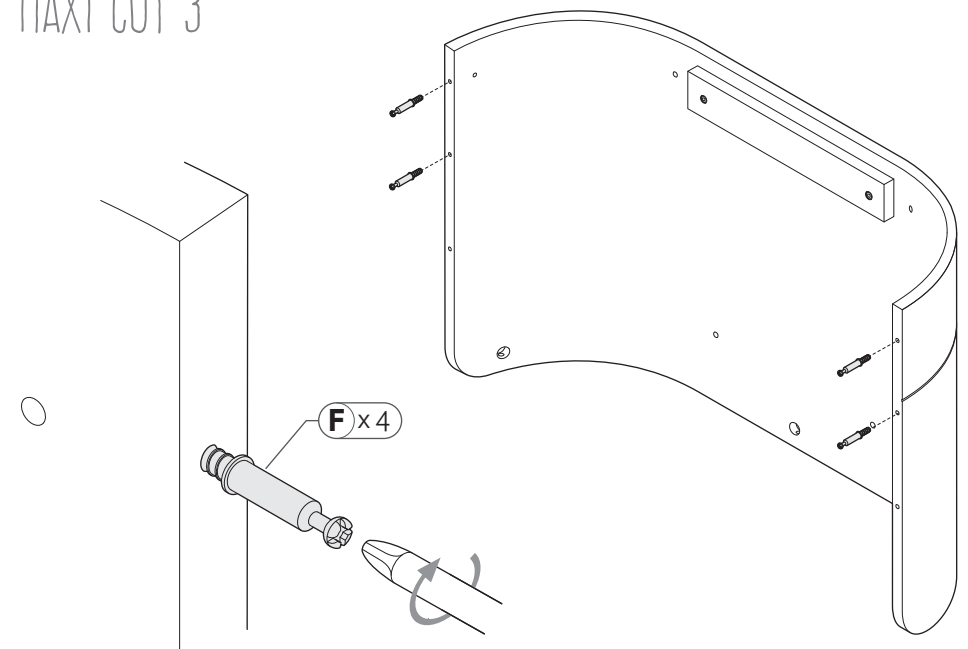
MAXI COT 1



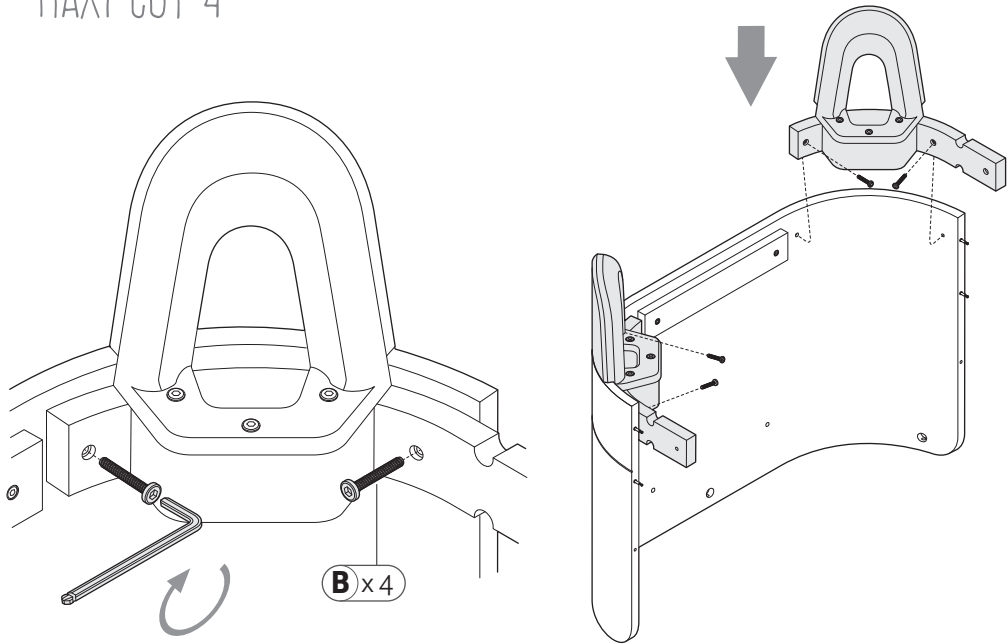
MAXI COT 2



MAXI COT 3



MAXI COT 4

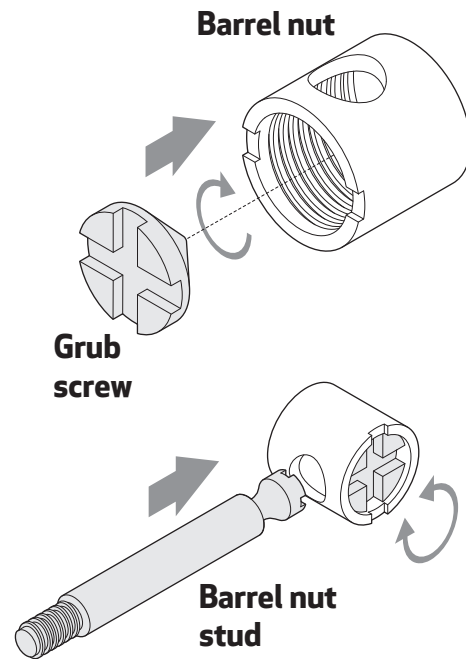


USING BARREL NUTS

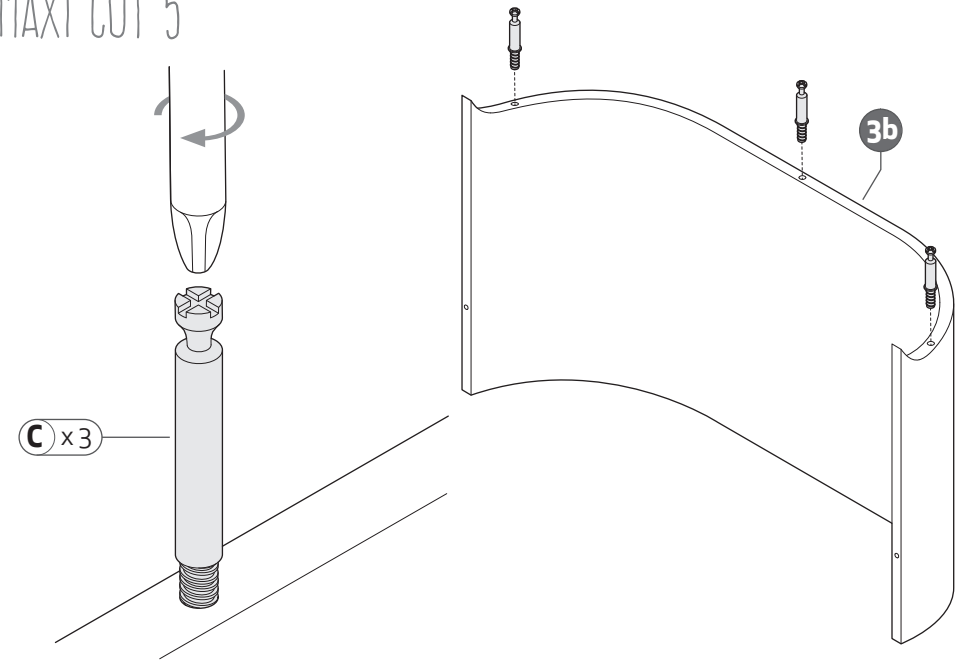
The barrel nuts come in two parts the barrel and the grub screw. Insert the grub screw into the end of the barrel and turn clockwise.

Before inserting the barrel nuts into the holes in the component, ensure the end of the barrel nut stud will fit into the barrel nut.

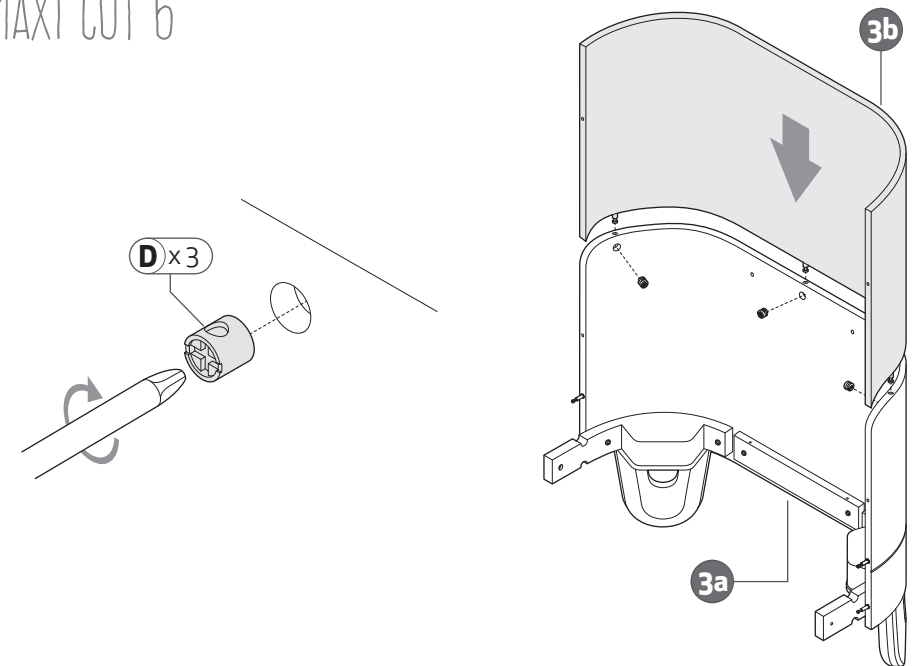
If the stud does not fit turn the grub screw anti-clockwise until the stud can be inserted.



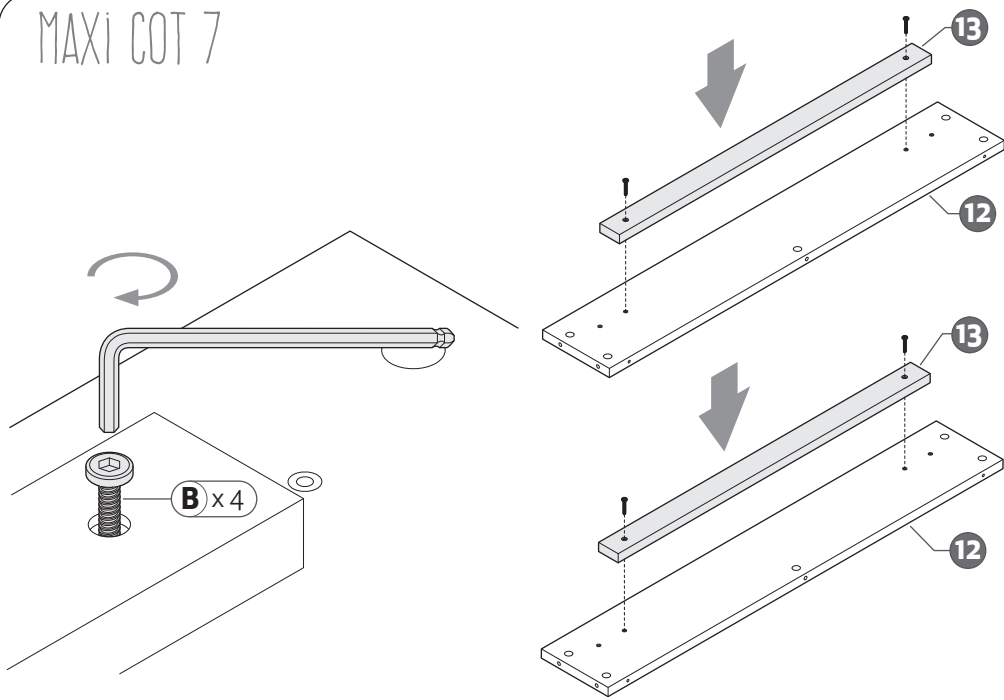
MAXI COT 5



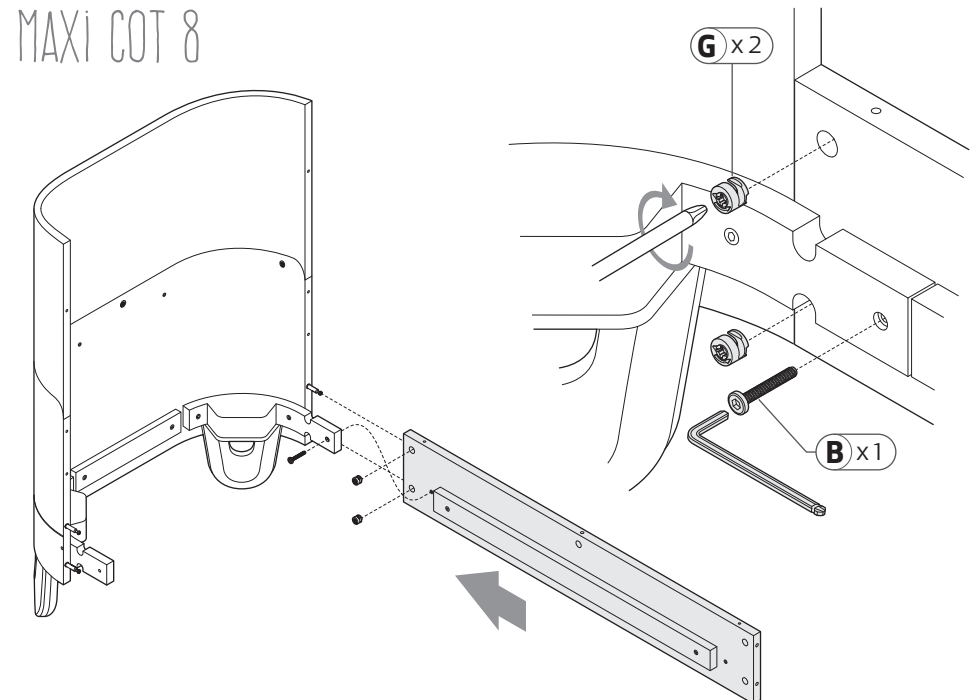
MAXI COT 6



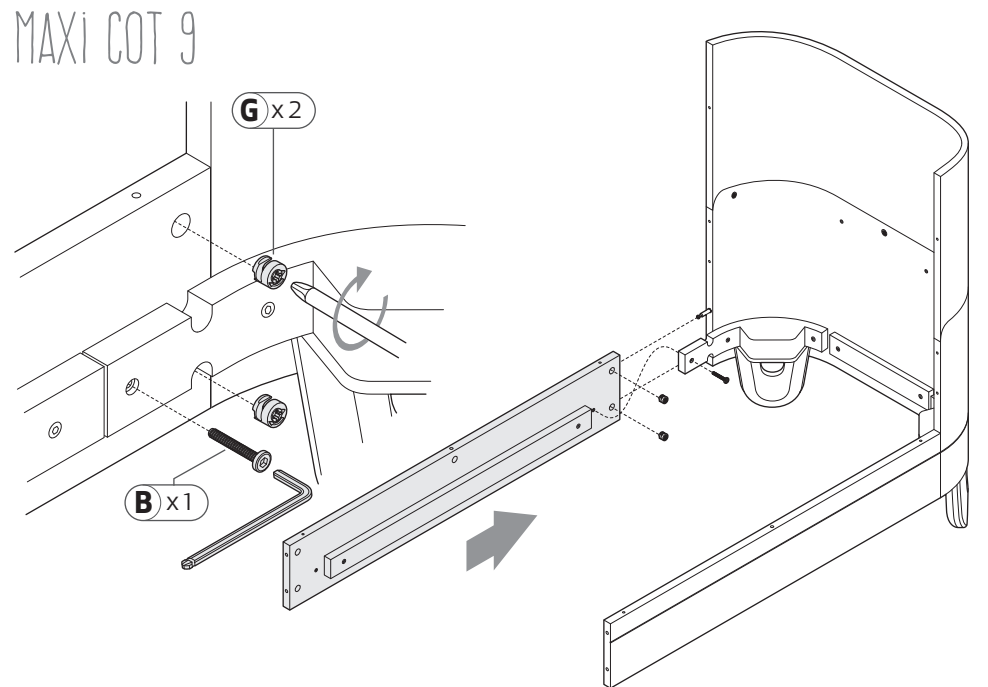
MAXI COT 7



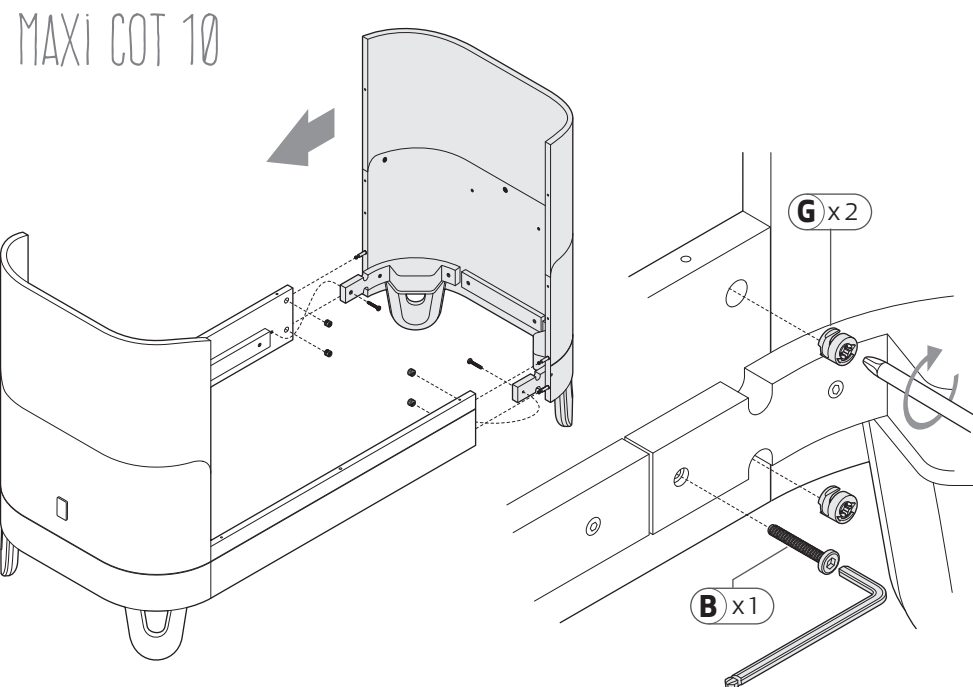
MAXI COT 8



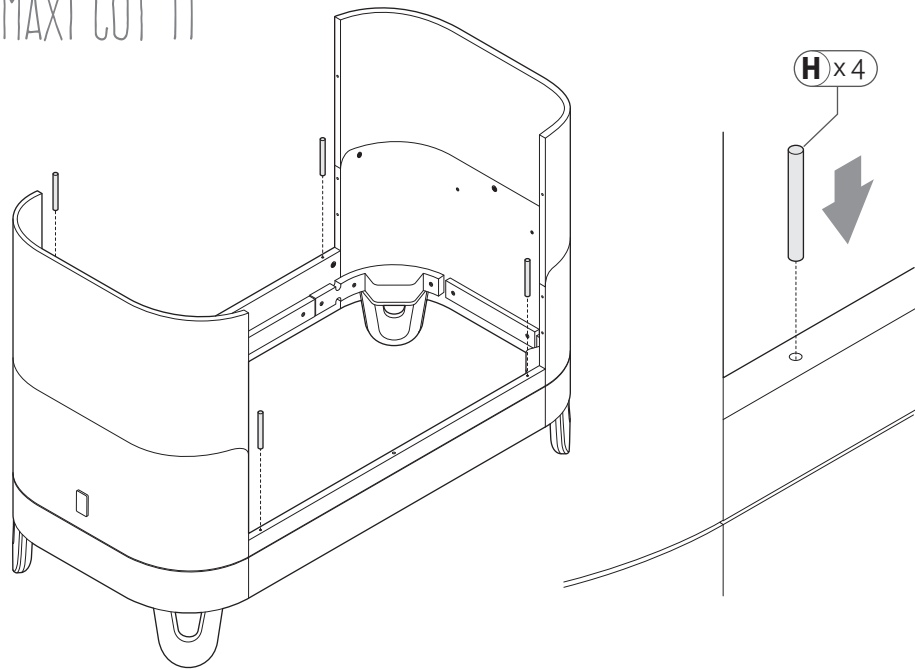
MAXI COT 9



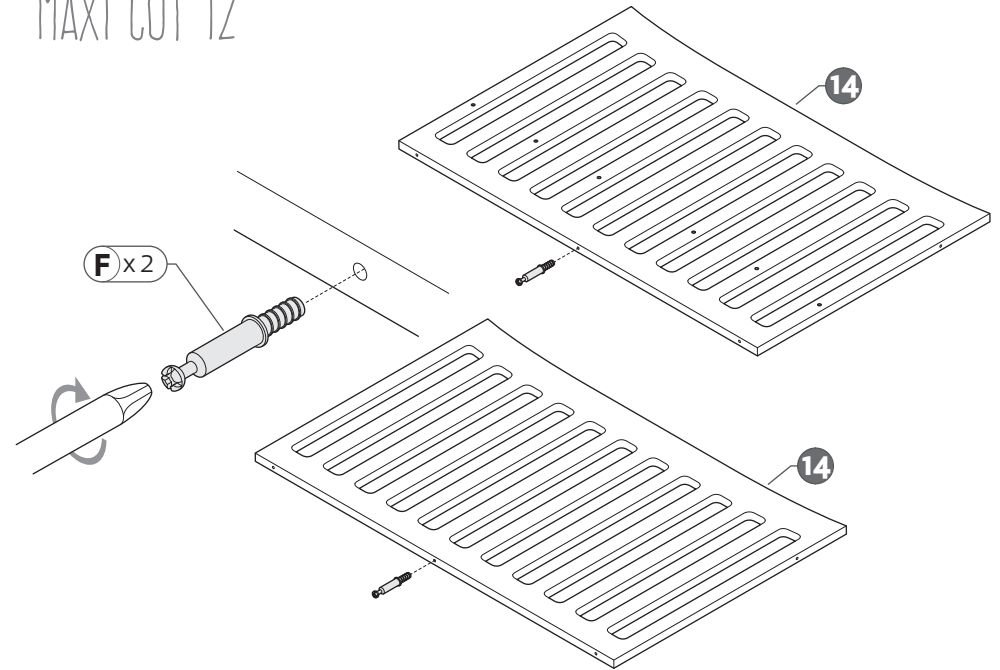
MAXI COT 10



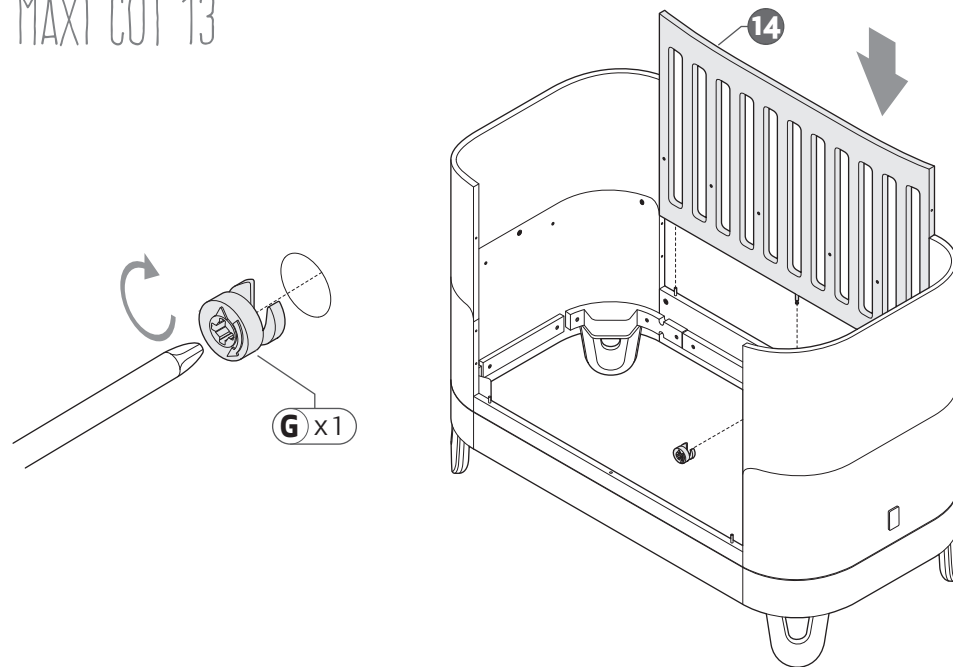
MAXI COT 11



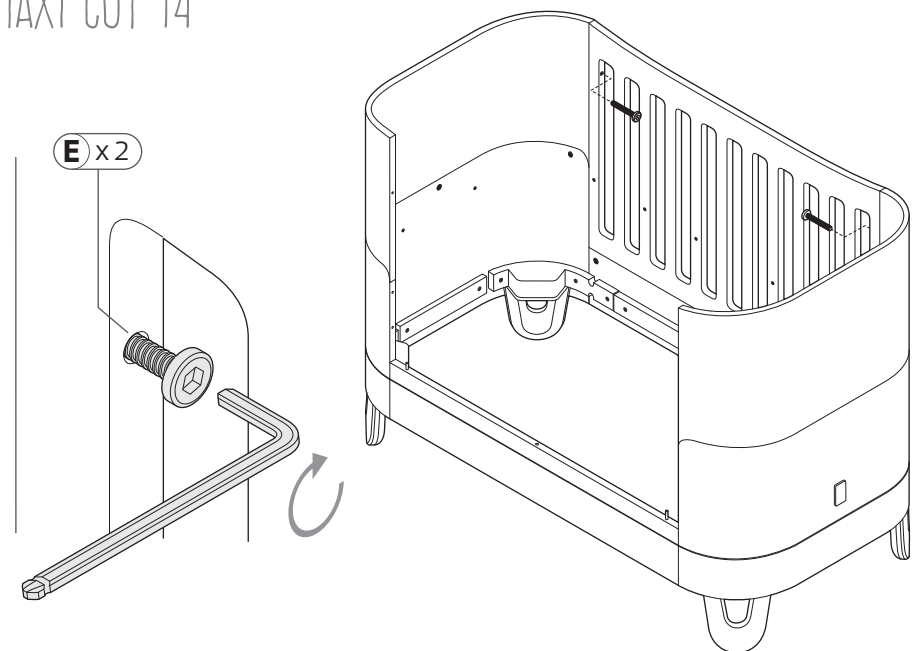
MAXI COT 12



MAXI COT 13



MAXI COT 14



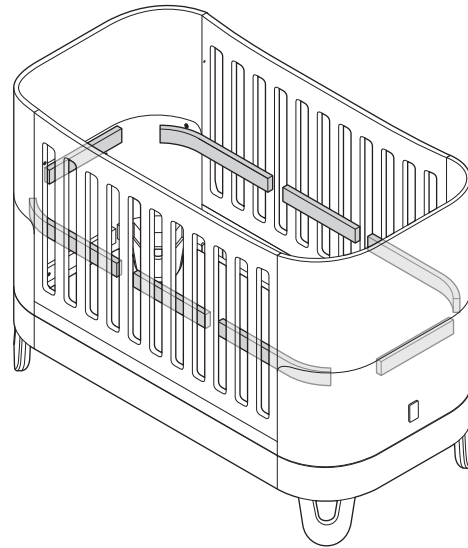
BOTTOM BASE POSITION

Top base position

Use the top base position for newborn babies.

Once the baby can push its self upwards on its hands or starts to pull itself up using the side of the cot, you **MUST** fit the cot base in the bottom position.

IMPORTANT: When fitting the top base position rails, ensure the pilot holes in the rails are facing upwards.

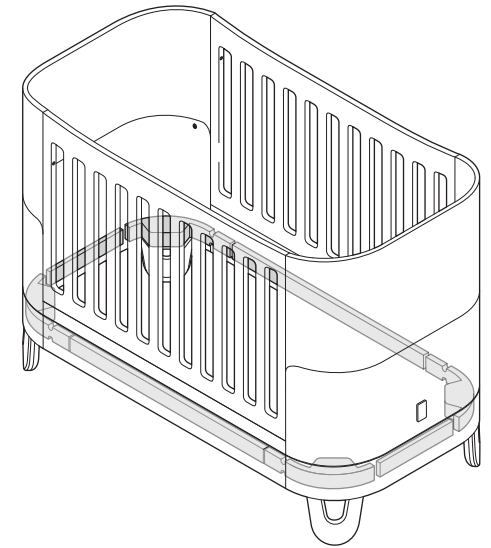


BOTTOM BASE POSITION

Bottom base position

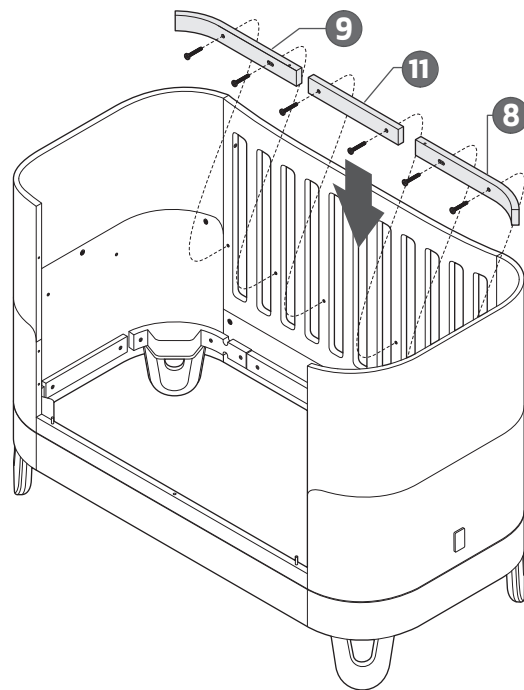
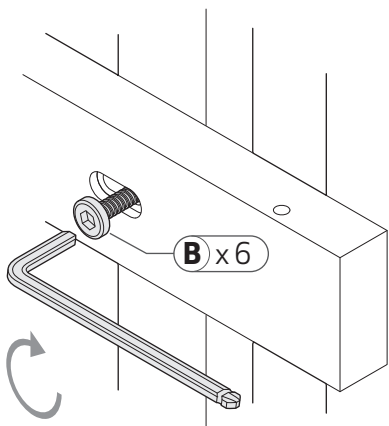
Use the bottom base position for when your baby can push itself up on its hands or starts to pull itself up on the sides of the cot.

IMPORTANT: The bottom base position is the safest position for the cot base



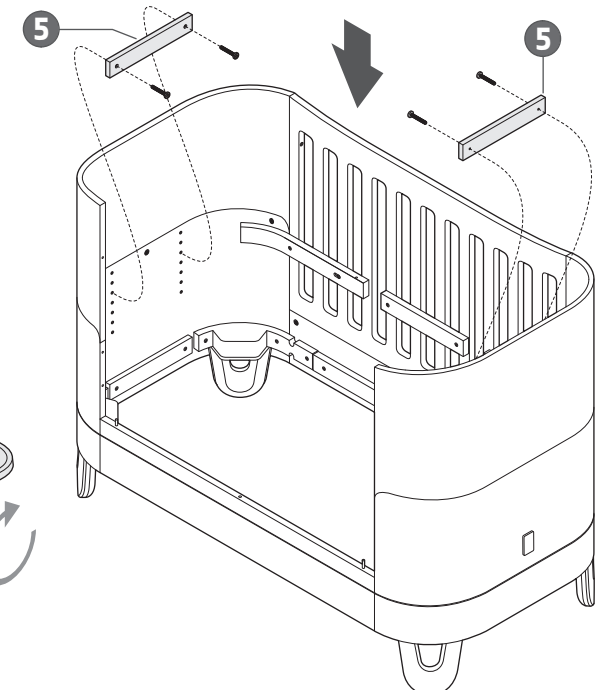
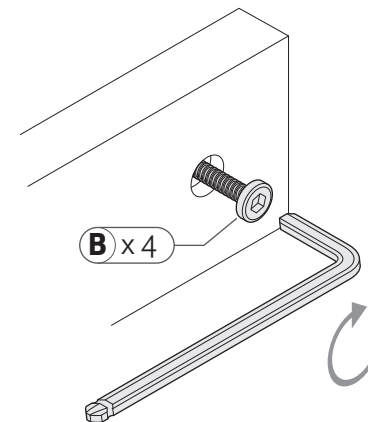
MAXI COT 15

Top base position



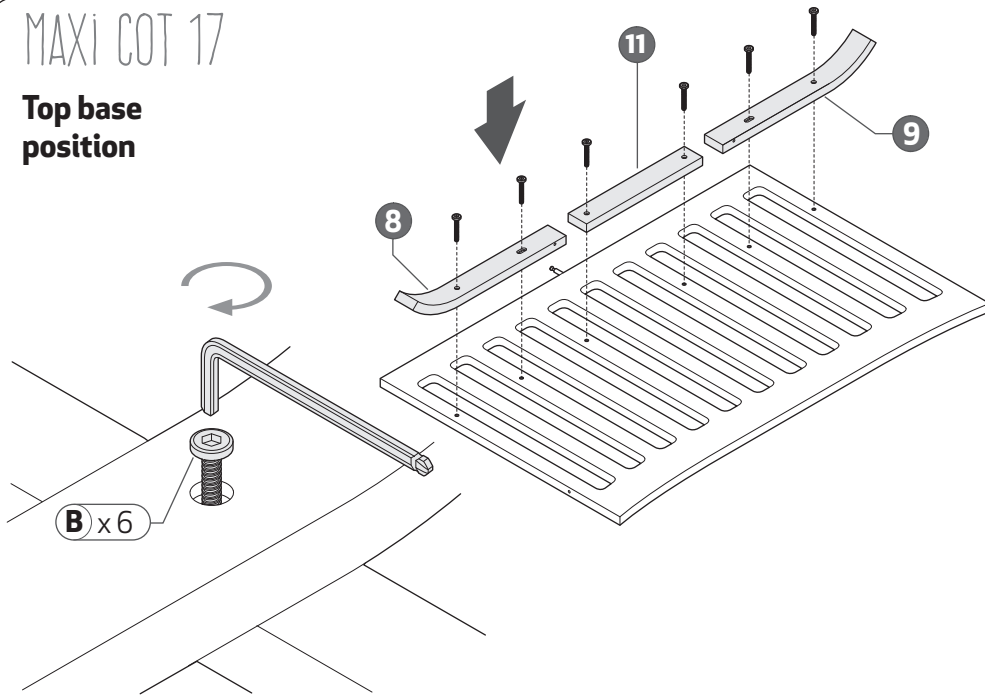
MAXI COT 16

Top base position



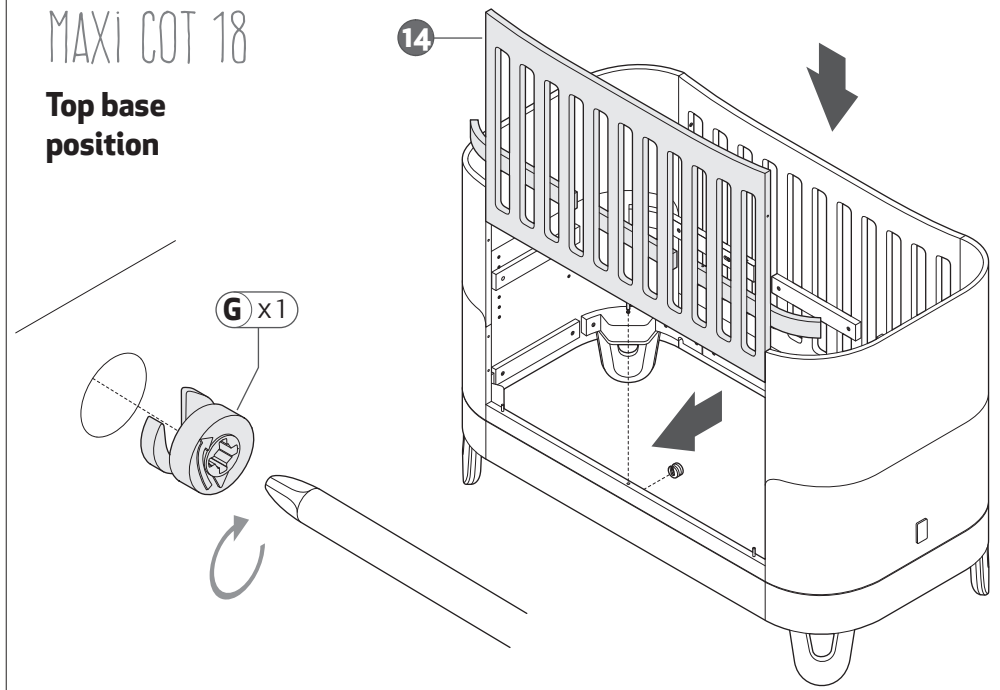
MAXI COT 17

Top base position



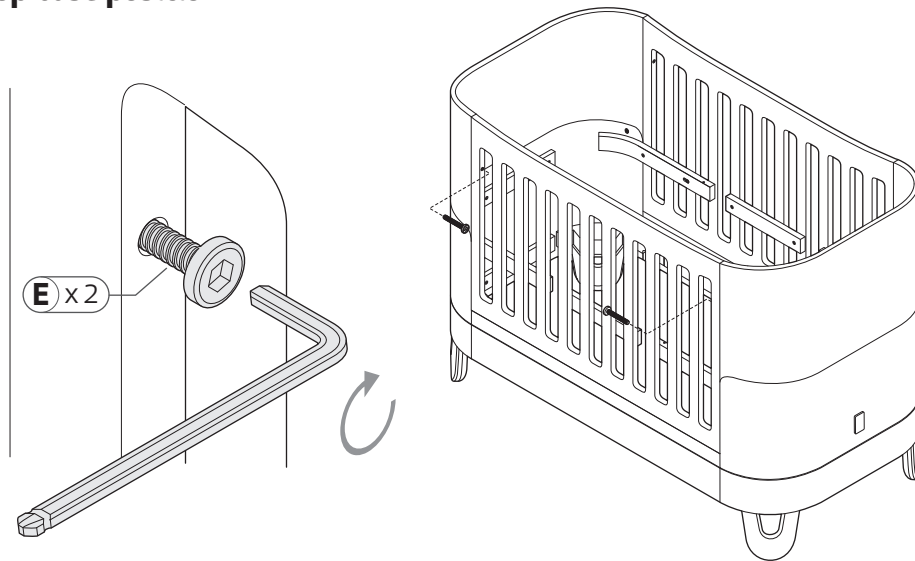
MAXI COT 18

Top base position



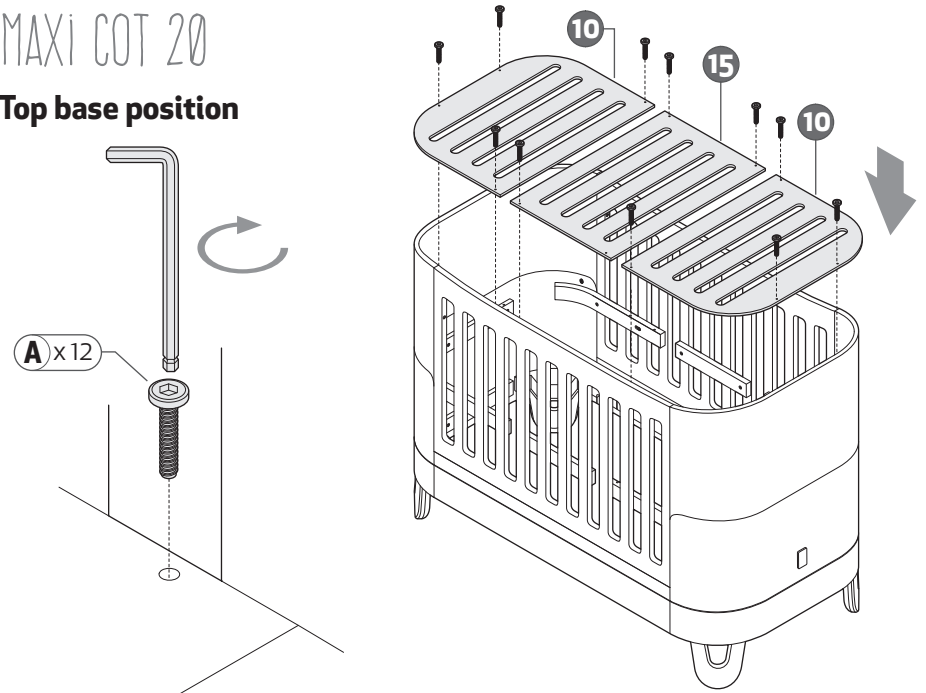
MAXI COT 19

Top base position



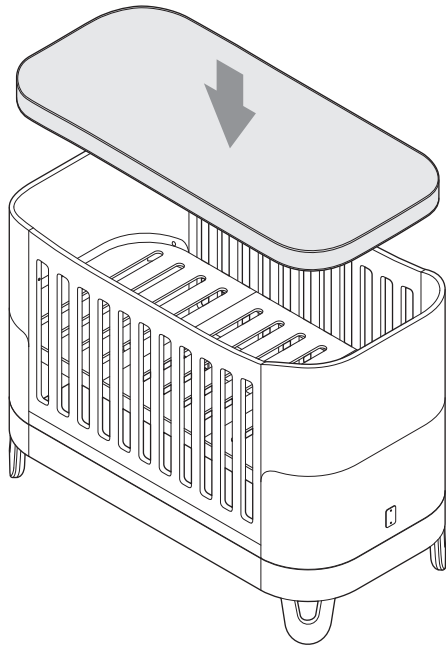
MAXI COT 20

Top base position

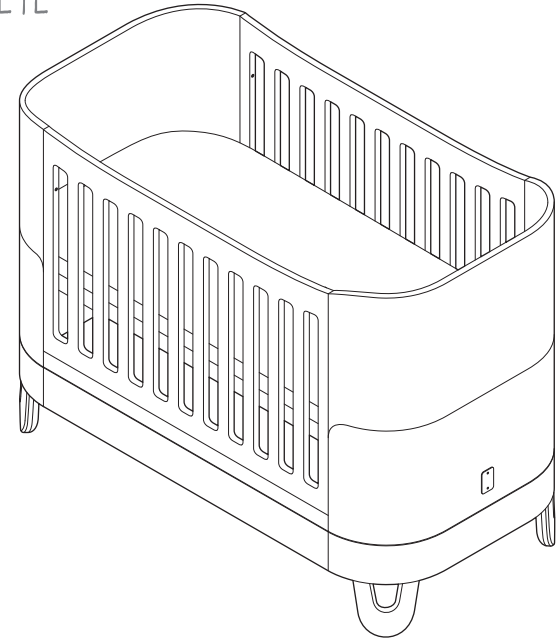


MAXI COT 21

Top base position

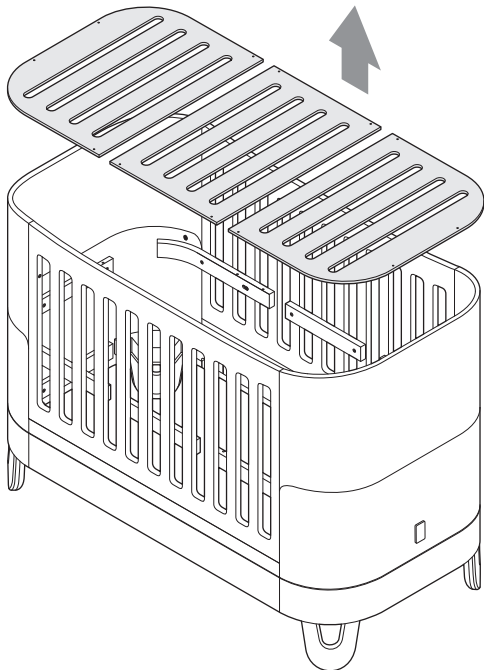


ASSEMBLY COMPLETE



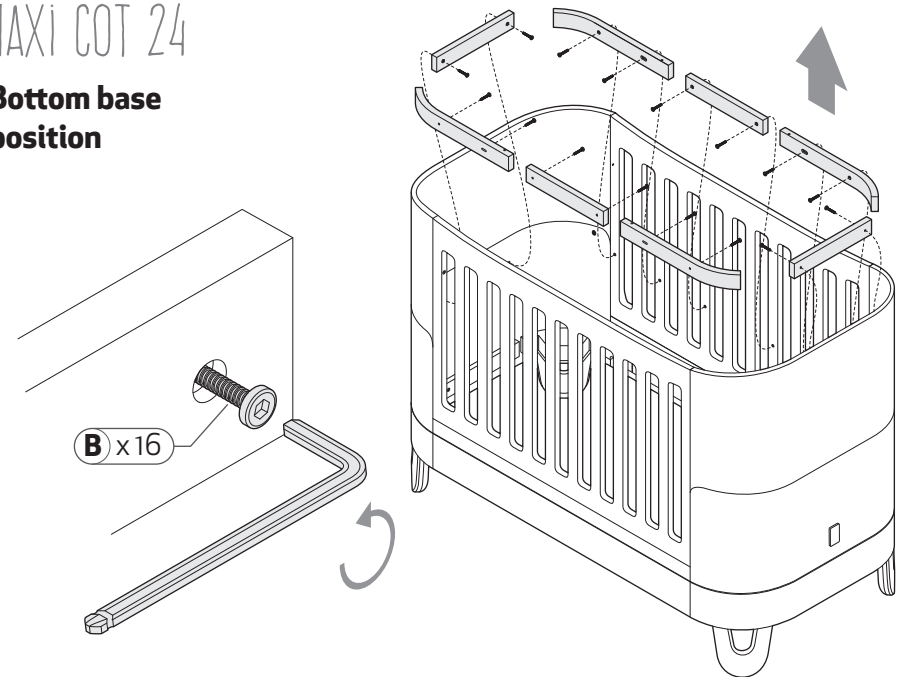
MAXI COT 23

Bottom base position



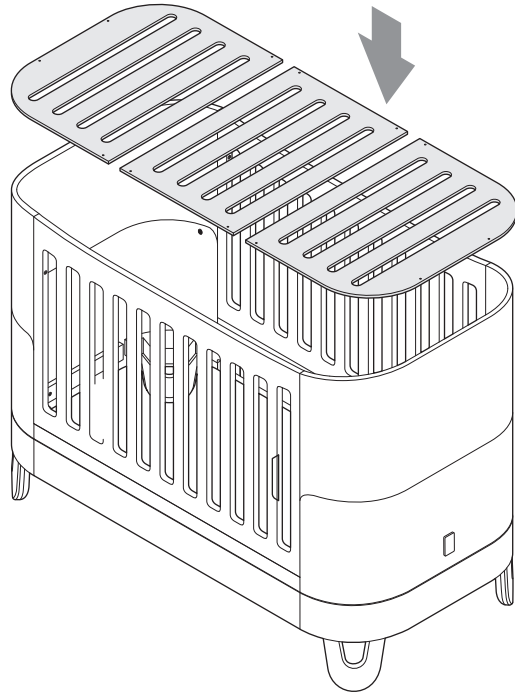
MAXI COT 24

Bottom base position



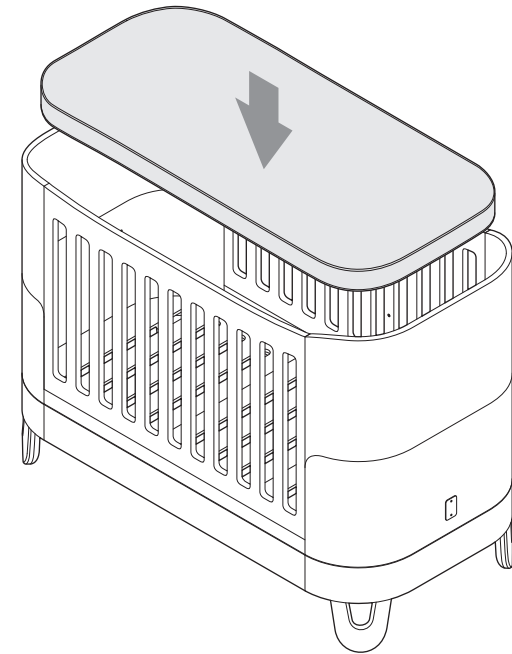
MAXI COT 25

**Bottom base
position**

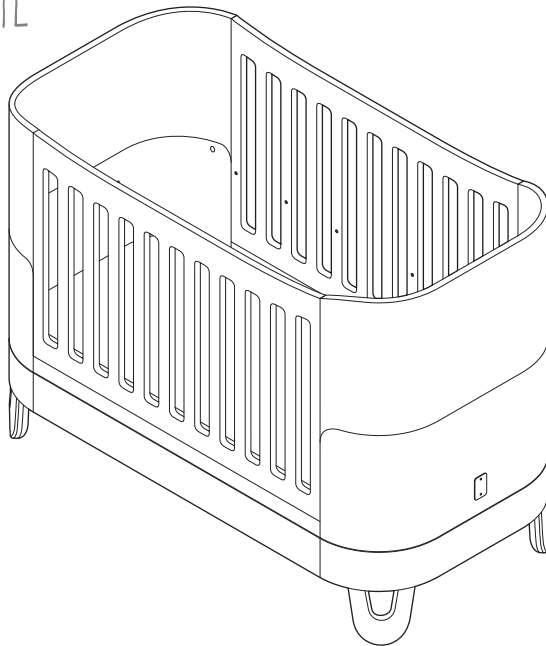


MAXI COT 26

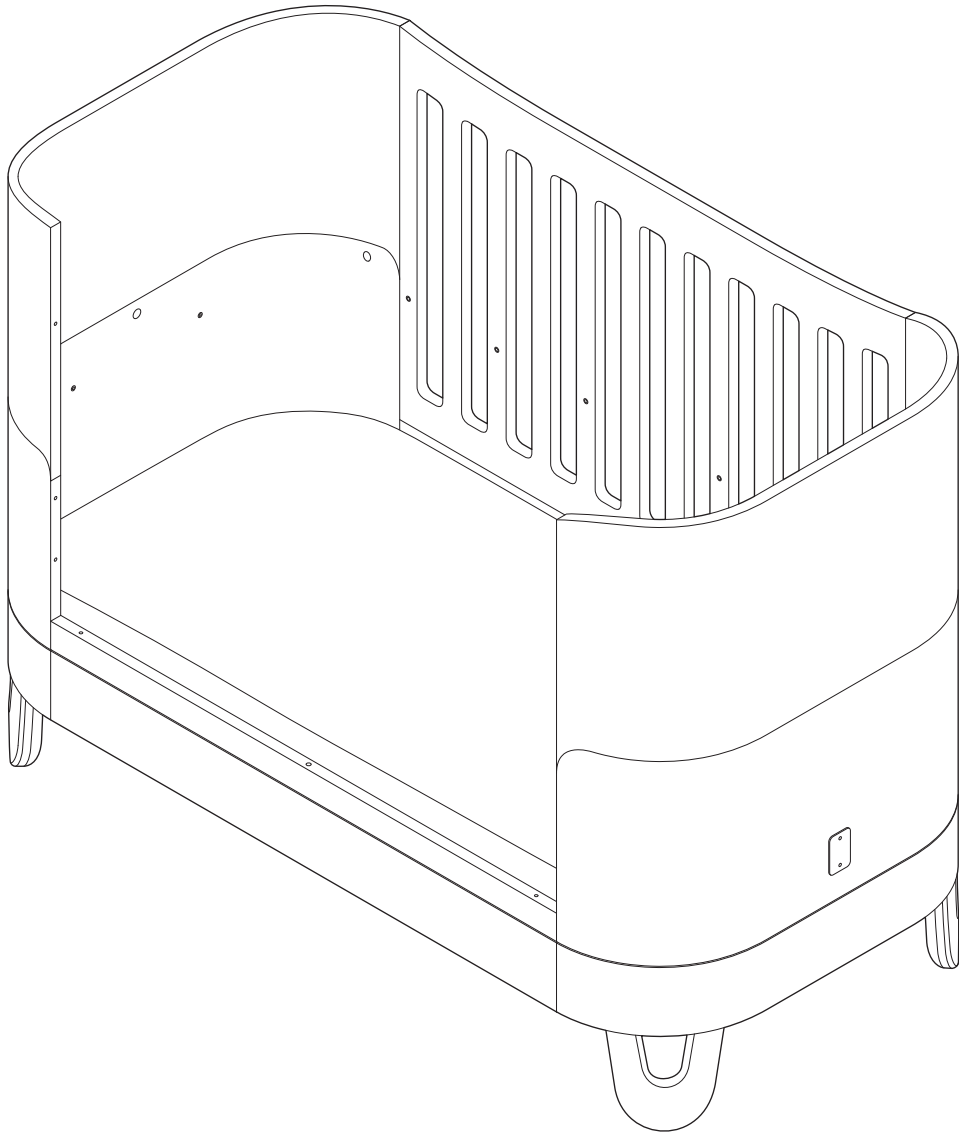
**Bottom base
position**



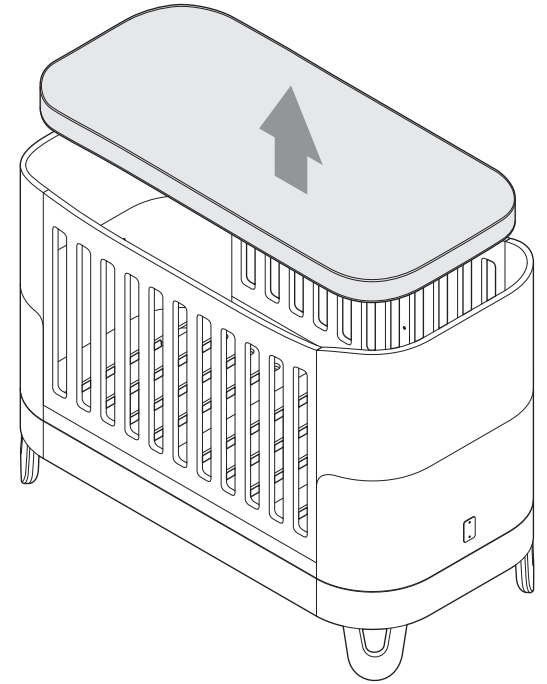
ASSEMBLY COMPLETE



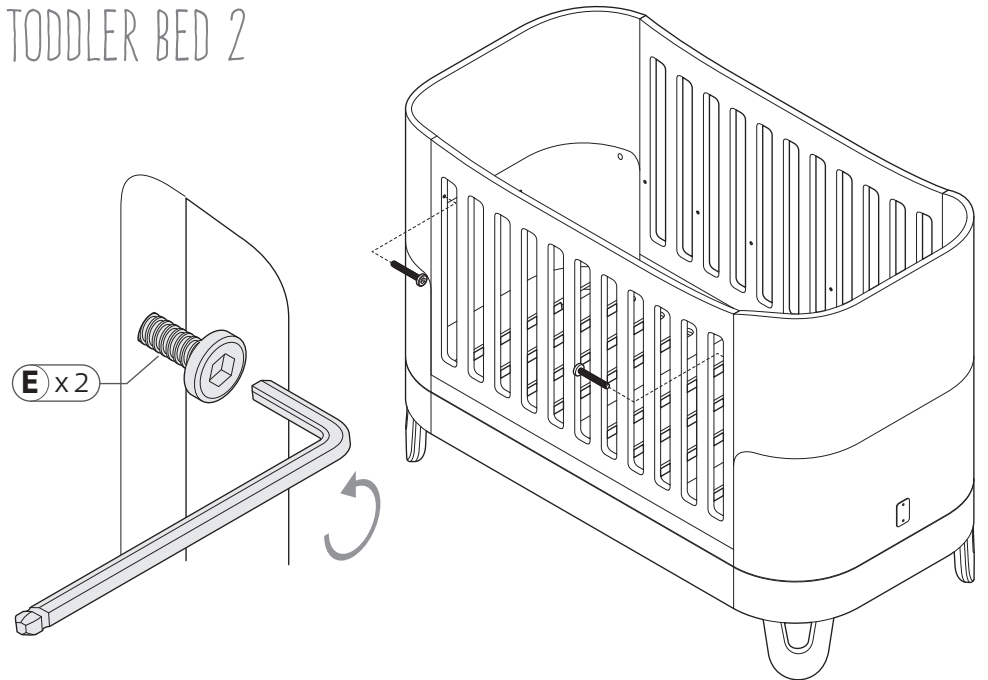
TODDLER BED CONVERSION



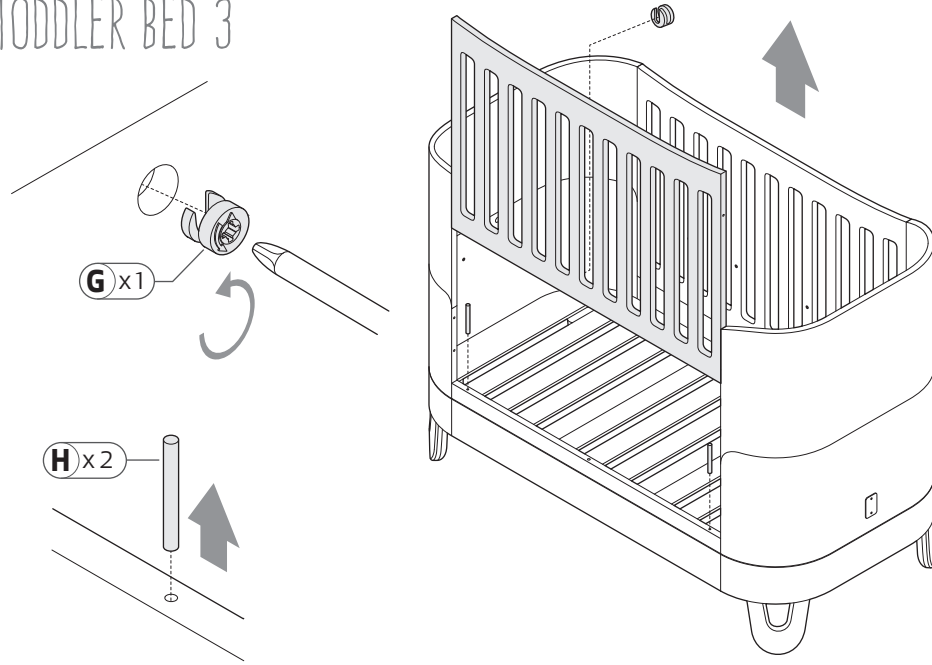
TODDLER BED 1



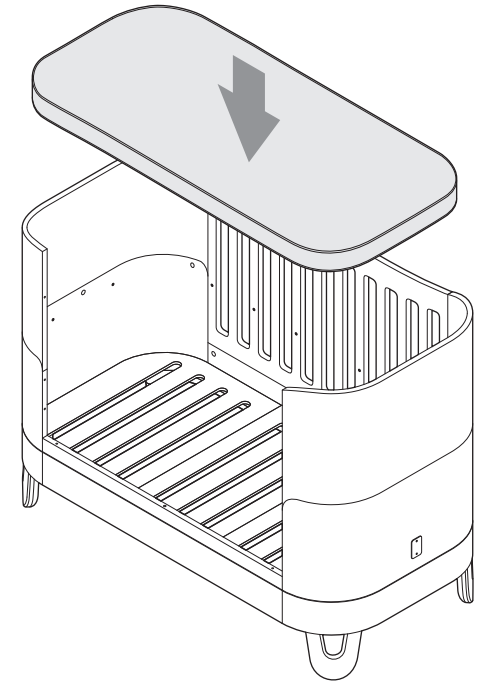
TODDLER BED 2



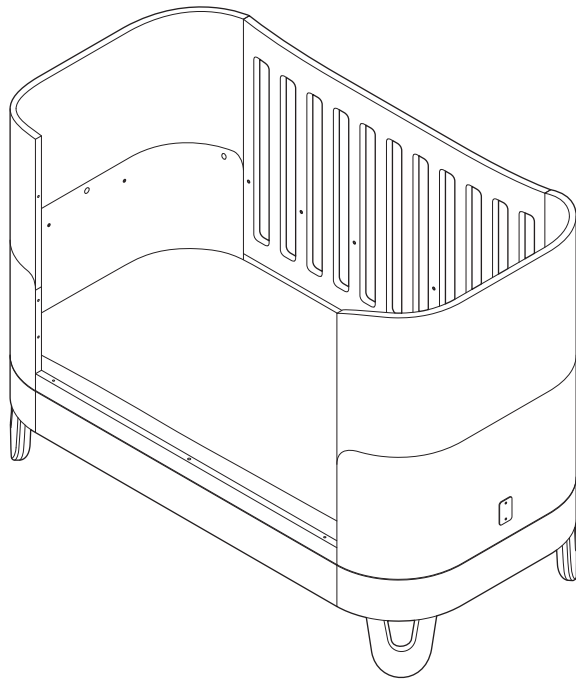
TODDLER BED 3



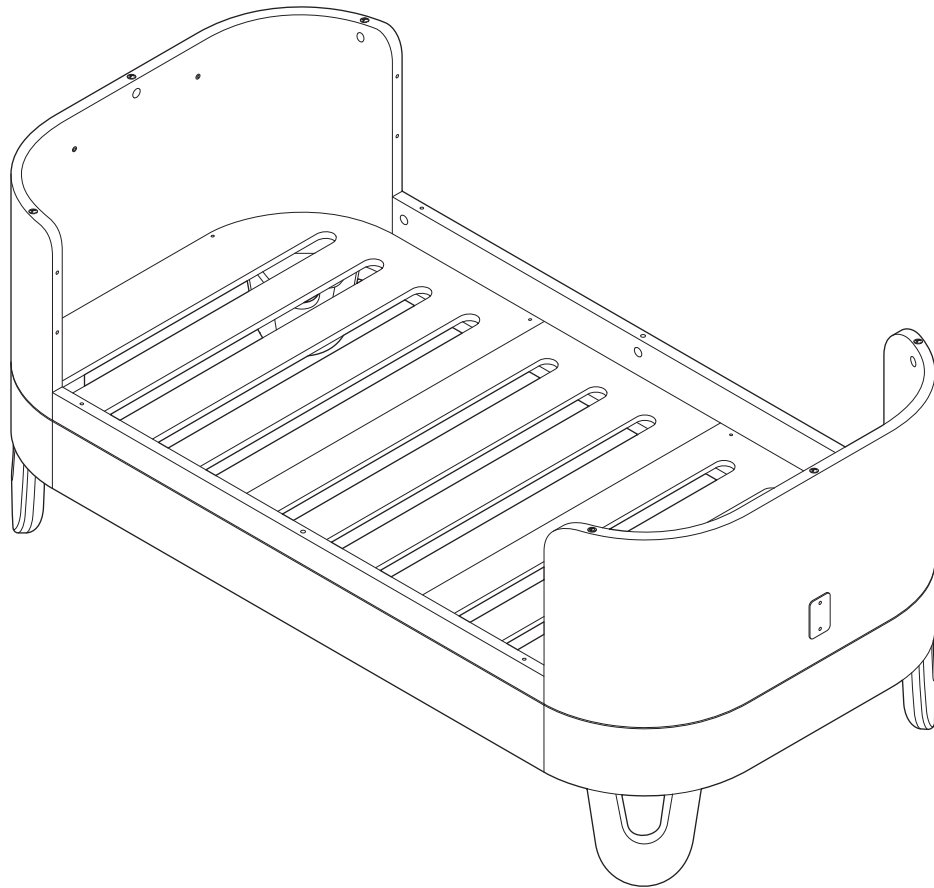
TODDLER BED 4



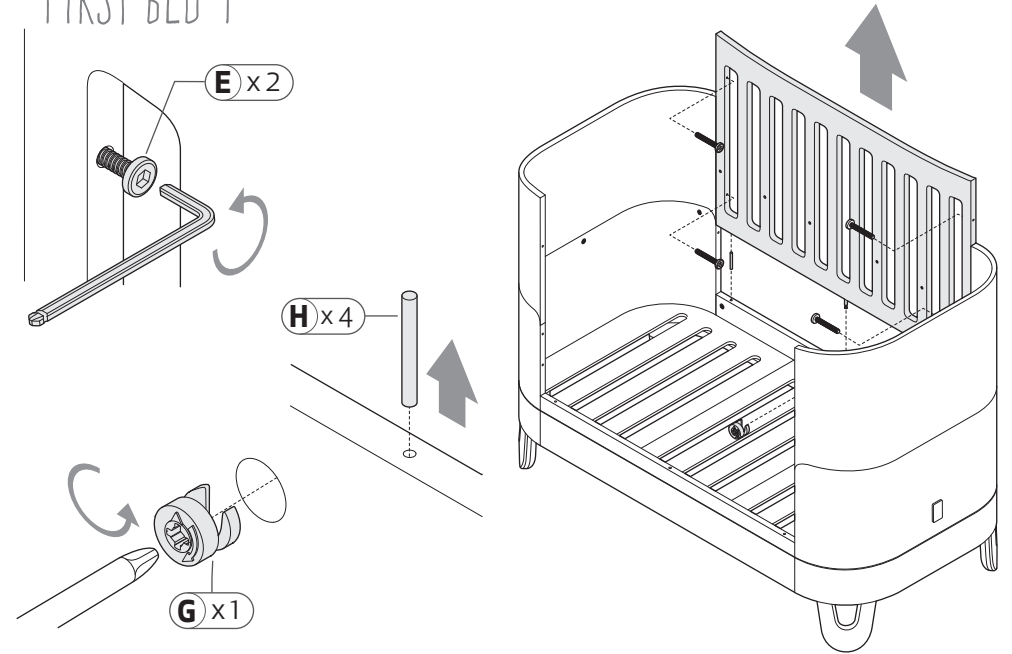
ASSEMBLY COMPLETE



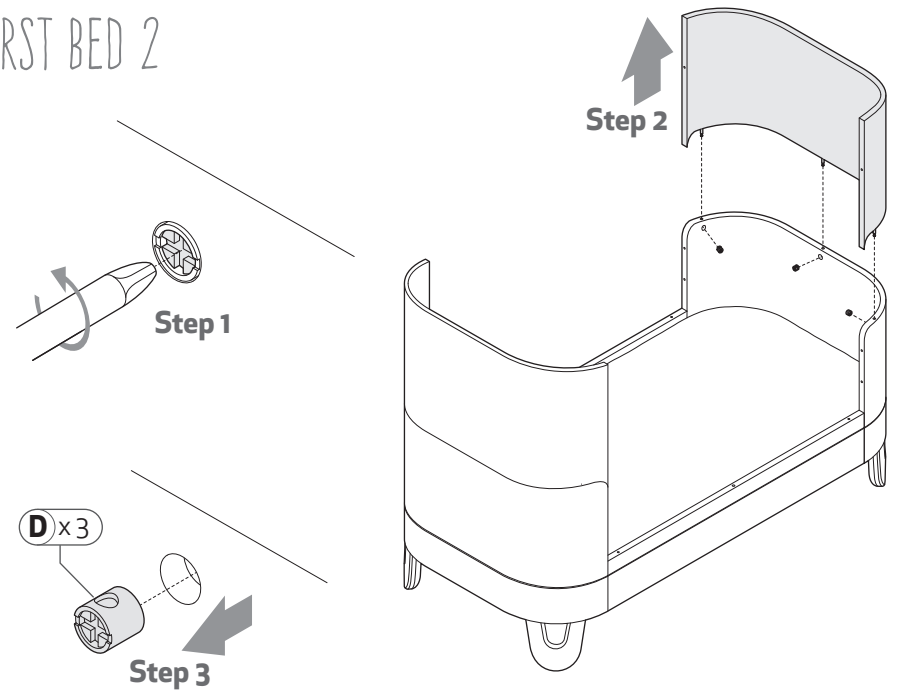
FIRST BED CONVERSION



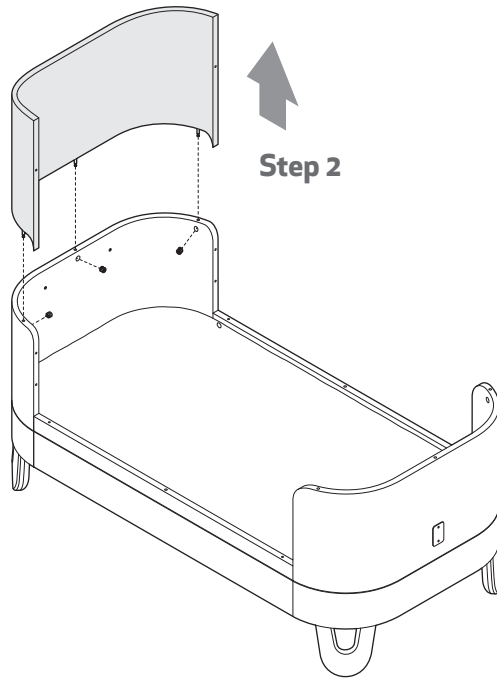
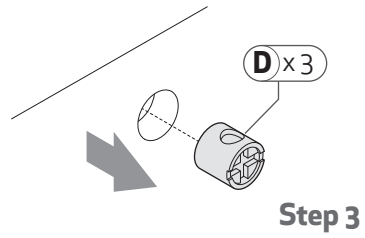
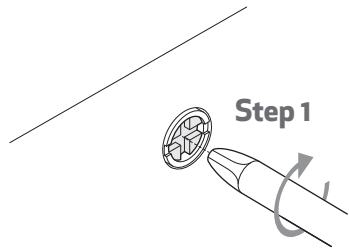
FIRST BED 1



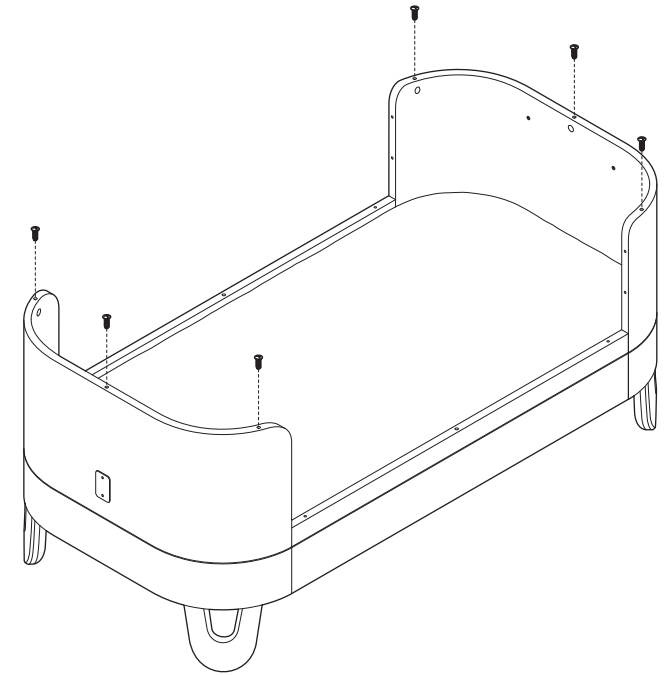
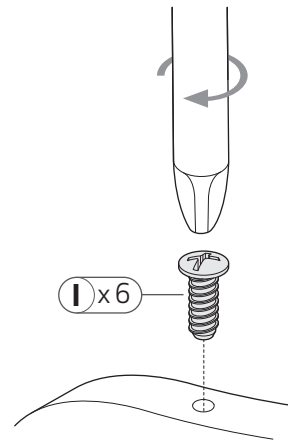
FIRST BED 2



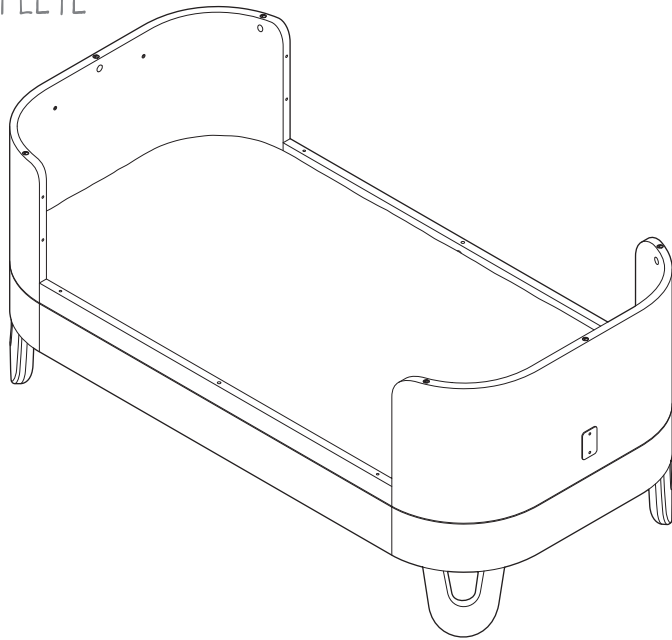
FIRST BED 3



FIRST BED 4



ASSEMBLY COMPLETE



NOTES

Guide to using the different cot-bed positions.

Position Maxi Cot - When you first assemble the cot you have two choices of mattress height, upper position designed for new born and lower position for toddler onwards .

WARNING: TO PREVENT FALLS, THE MATTRESS BASE OF THIS COT SHOULD BE ADJUSTED TO THE LOWEST POSITION BEFORE THE CHILD CAN SIT UP.

Position Toddler bed - To allow your child to get in or out of the cot by themselves you can simply remove one of the side panels. This is usually when the child starts to try and get out of the cot by themselves and helps to avoid injuries from falling. To use the cot in this position you must always keep one of the side panels in place. Please refer to instructions to see conversion.

Position First bed- When the baby has developed further, you may convert the cot to create a 'first-bed' suitable up until the age of 5 years. This can be extended further with the use of the 'Gaia Baby Junior Bed Extension Kit' (sold separately)

Manufacturer Warranty

All Gaia Baby furniture carries a full 2 year manufacturer's warranty.

The warranty does not cover wear & tear or damage caused by the product not being used in accordance with correct care instructions.

The warranty period is effective from date of purchase. The warranty applies to product presented with an original receipt or proof of purchase. The warranty applies to the territory in which the product was purchased.

During the warranty period, Gaia Baby will repair or replace any defective part.

In the event of a product being replaced in entirety, the guarantee on the replacement will expire two years from the original purchase date.

This is a natural wood product. Some variation in surface finish and colour may occur. While every attempt is made to colour match replacement parts, colour matching cannot be guaranteed.

This guarantee excludes accidental damage, misuse and or damage caused by improper transport or handling.

This warranty is void if the original product has been altered in design or colour in anyway and/ or if not presented with an original receipt as proof of purchase.



Gaia Baby Limited

#2, Kinsealy Business Park,
Malahide
Dublin K36 DK81
Ireland

Web:

www.gaia-baby.com

Email:

customercare@gaia-baby.com