

GAIA BABY BED RAIL

Assembly instructions

IMPORTANT: Please read carefully and retain for future reference

TOOLS

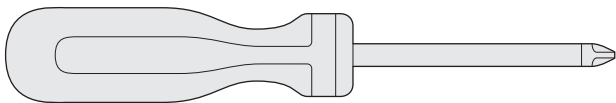
Allen key

Supplied



Cross head screwdriver

Not supplied



IMPORTANT: Keep all fittings and components not used in a safe place away from young children for future use.

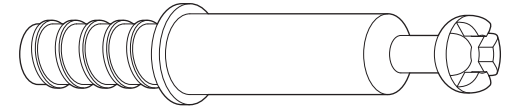
FITTINGS

IMPORTANT: Please re-use the following fittings from your current first bed.

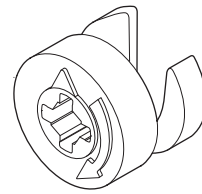
H x1



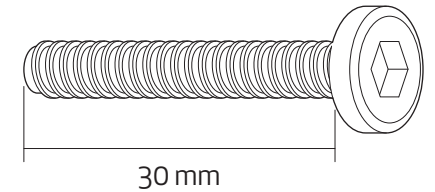
F x2



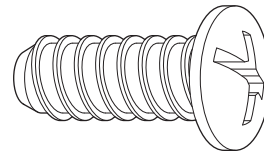
G x2



B x4

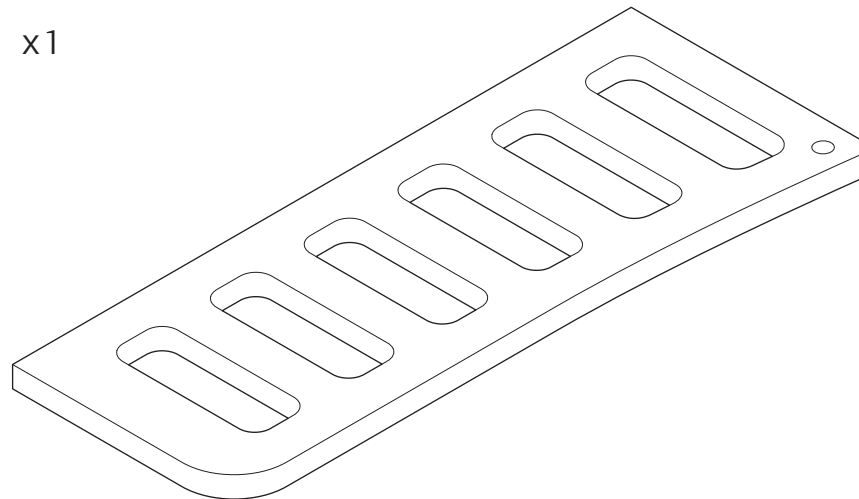


I x6



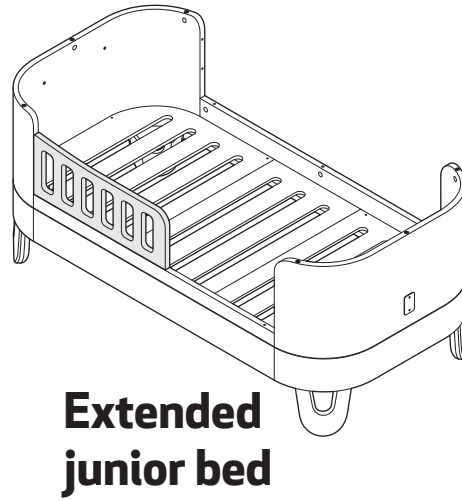
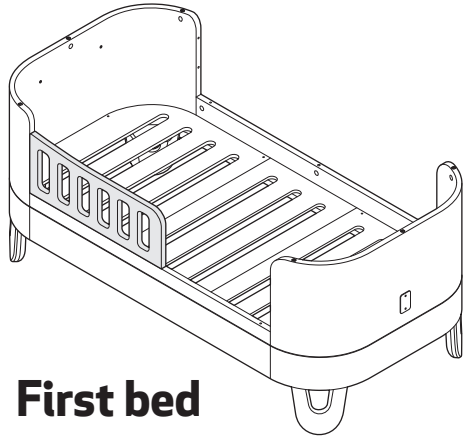
COMPONENTS

23 x1

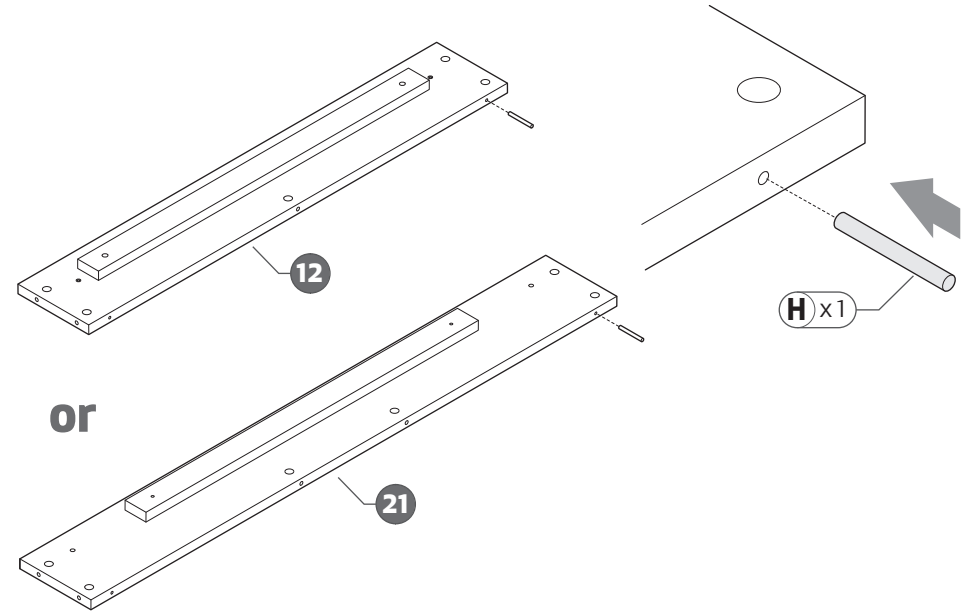


BED RAIL 1

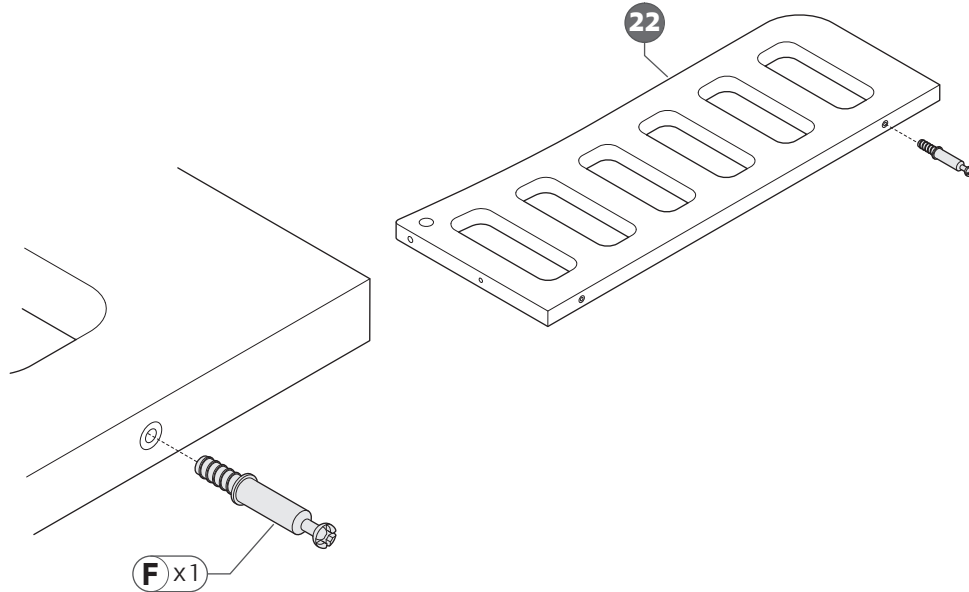
IMPORTANT: The bed rail can be fitted to either the first bed or the extended junior bed.



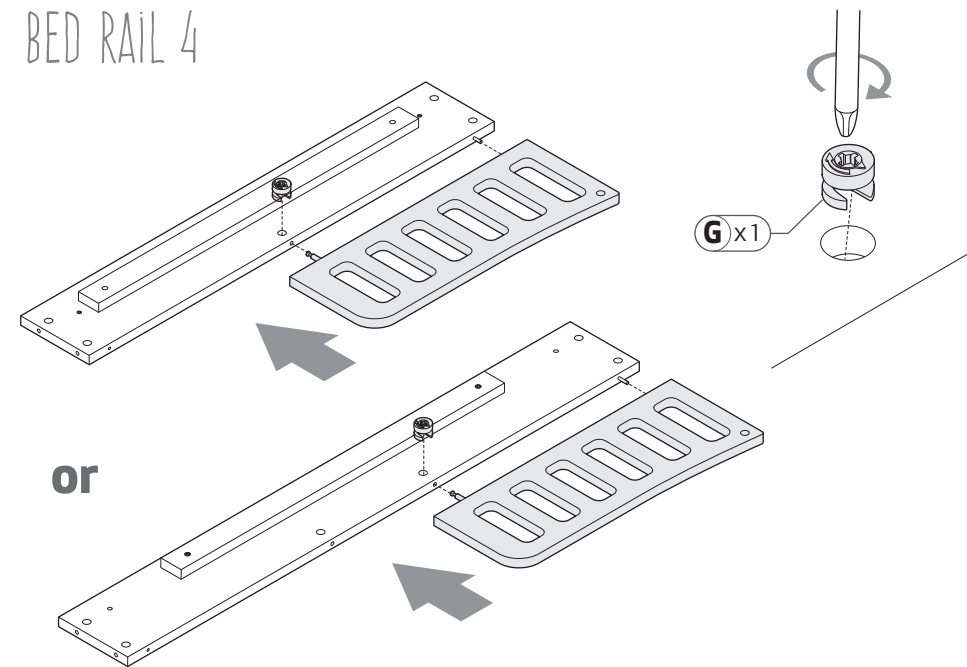
BED RAIL 2



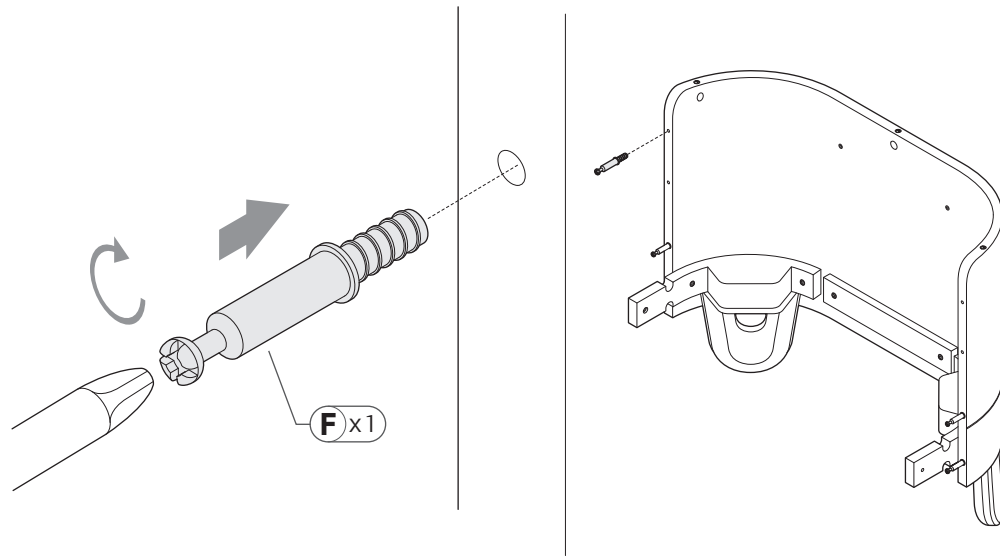
BED RAIL 3



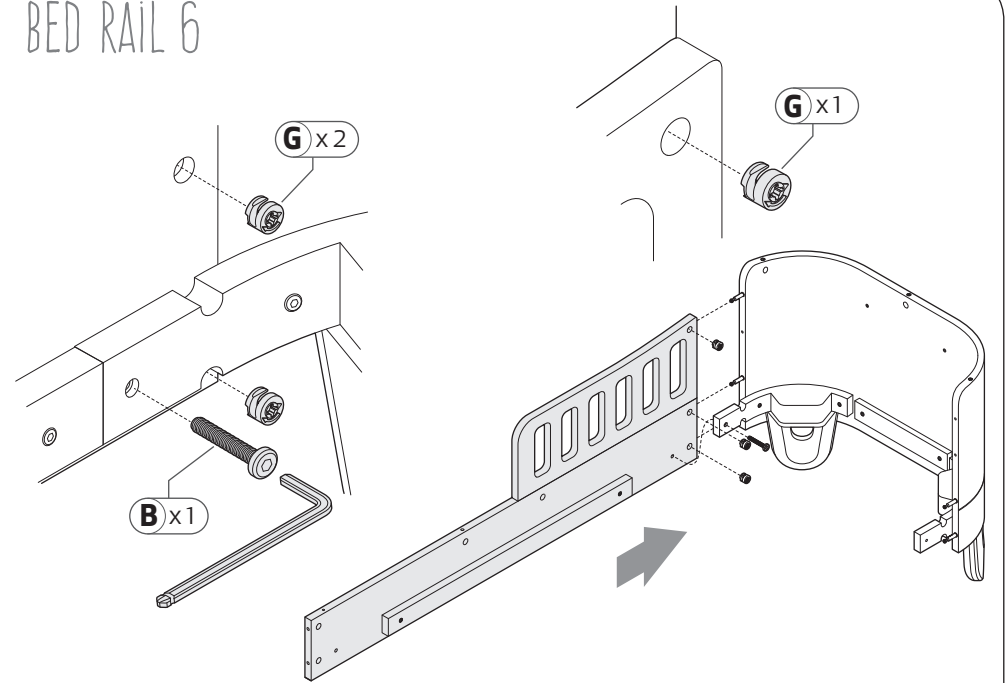
BED RAIL 4



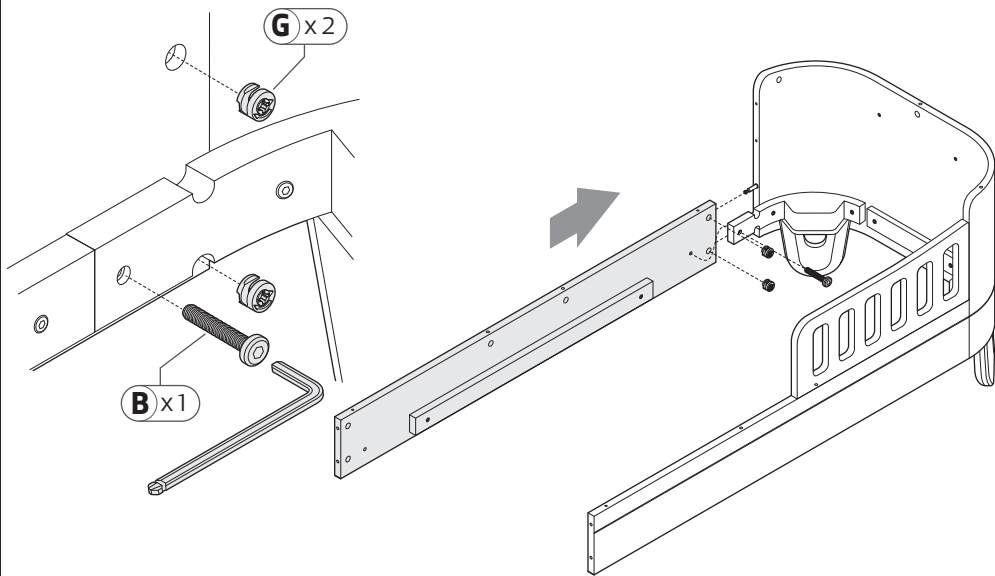
BED RAIL 5



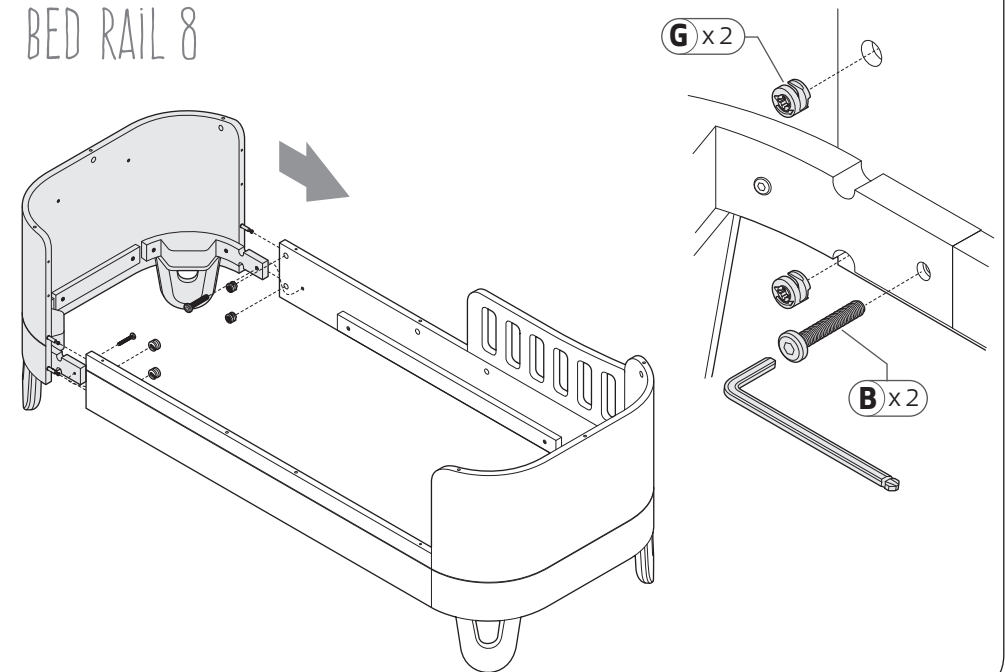
BED RAIL 6



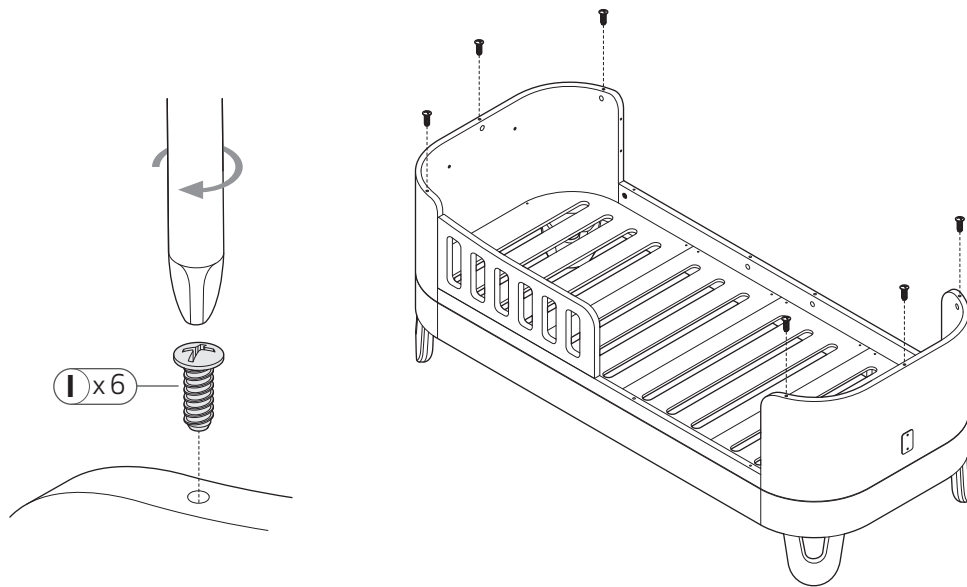
BED RAIL 7



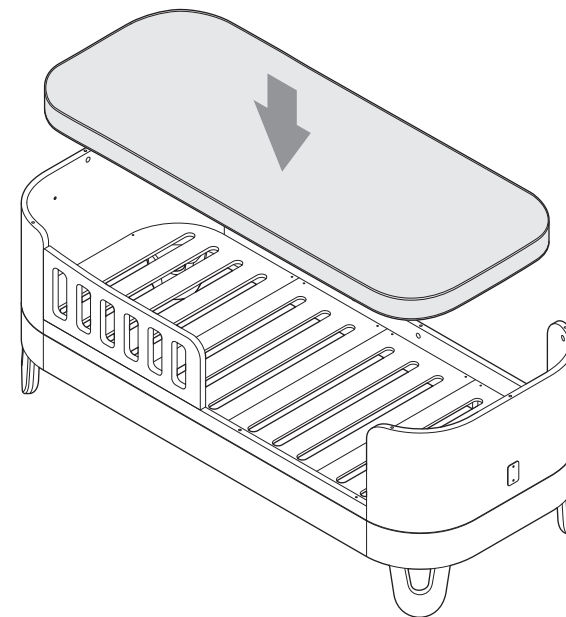
BED RAIL 8



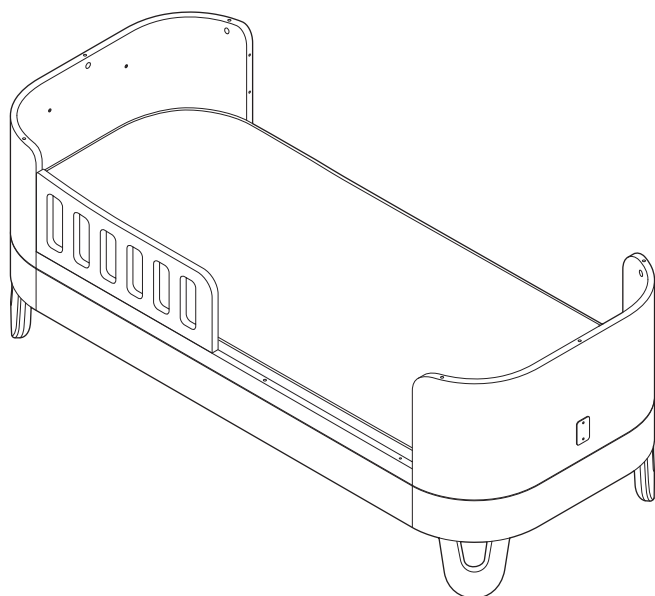
BED RAIL 9



BED RAIL 10



BED RAIL COMPLETE



NOTES

Manufacturer Warranty

All Gaia Baby furniture carries a full 2 year manufacturer's warranty.

The warranty does not cover wear & tear or damage caused by the product not being used in accordance with correct care instructions.

The warranty period is effective from date of purchase. The warranty applies to product presented with an original receipt or proof of purchase. The warranty applies to the territory in which the product was purchased.

During the warranty period, Gaia Baby will repair or replace any defective part.

In the event of a product being replaced in entirety, the guarantee on the replacement will expire two years from the original purchase date.

This is a natural wood product. Some variation in surface finish and colour may occur. While every attempt is made to colour match replacement parts, colour matching cannot be guaranteed.

This guarantee excludes accidental damage, misuse and or damage caused by improper transport or handling.

This warranty is void if the original product has been altered in design or colour in anyway and/ or if not presented with an original receipt as proof of purchase.



Gaia Baby Limited

#2, Kinsealy Business Park,
Malahide
Dublin K36 DK81
Ireland

Web:

www.gaia-baby.com

Email:

customercare@gaia-baby.com