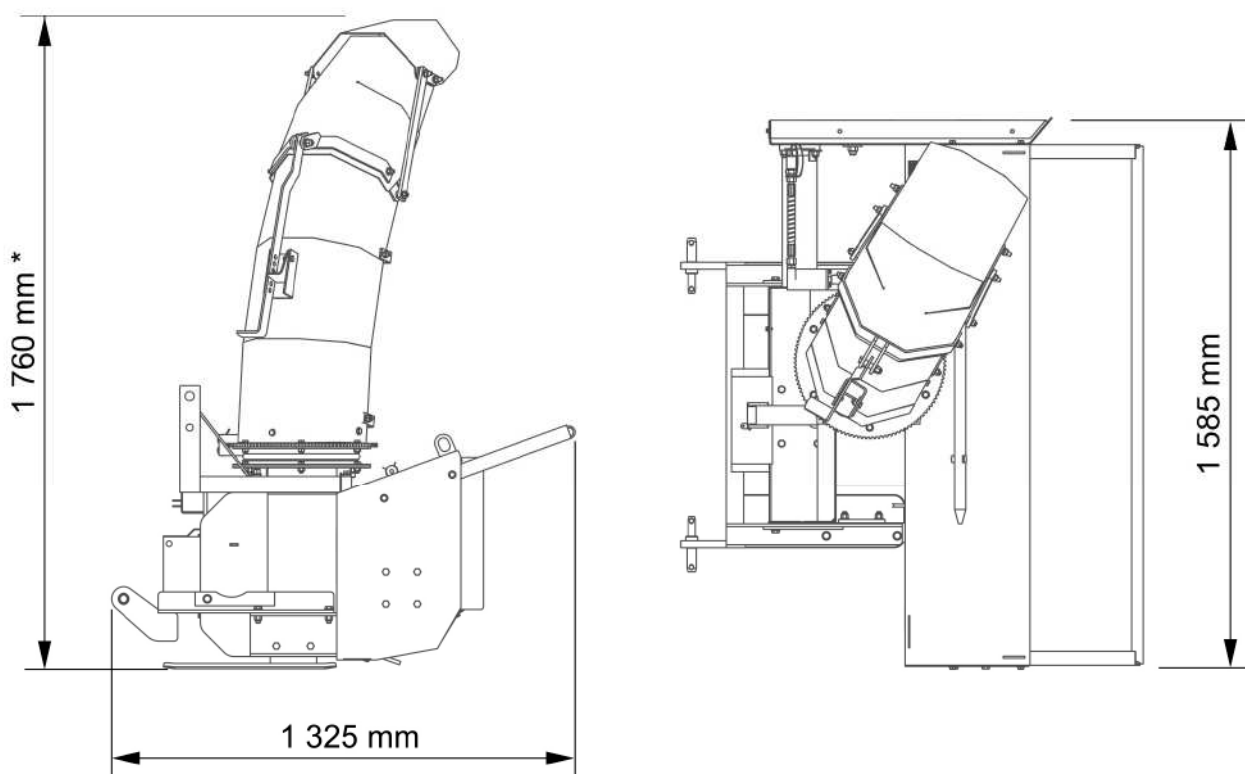


### 3.1 TECHNICAL SPECIFICATION

**TAB. 3.1 BASIC SPECIFICATIONS OF ROTARY SNOW BLOWER**

|                    | Unit                |   |
|--------------------|---------------------|---|
| Model              | -                   | PRONAR OW1.5  |
| Mounting method    | -                   | Front or rear three-point linkage Cat I and II according to ISO 730-1 |
| Working width      | mm                  | 1,500   |
| Working height     | mm                  | 580   |
| Discharge distance | m                   | 5 – 20  |
| Productivity       | m <sup>3</sup> /min | 5 – 7   |
| Auger diameter     | mm                  | 320   |
| Rotor diameter     | mm                  | 440   |
| Drive and control  | -                   | PTO and the tractor external hydraulic system                         |
| Weight             | kg                  | 320   |
| Other information  | -                   | Single person operation   |



**FIG. 3.1 External dimensions**

\* - The total height of the machine is given to the lowest setting of the discharge chute