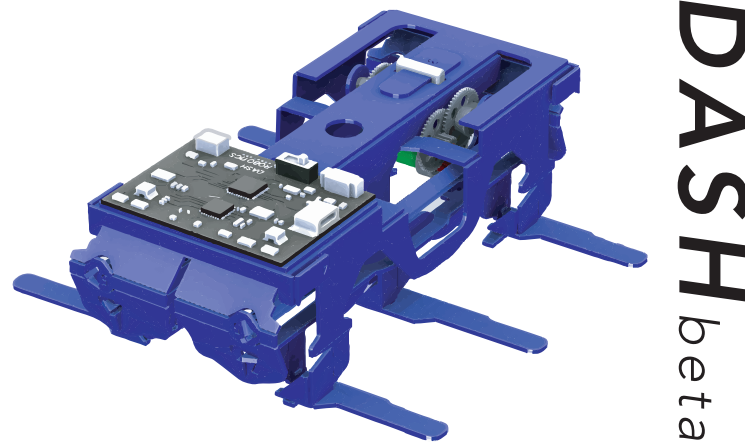


DASH ROBOTICS

Build instructions

Get ready to build your own Dash Robot! The following pages will guide you through the build. A few things to keep in mind while building your robot:

- 1) Read instructions **CAREFULLY!!** Orientation of every part matters, take care to align numbers as instructed.
- 2) Gluing: You will need a small bottle of white glue (like Elmer's) to get started. Place a small dab of glue where needed, a small drop is enough. After gluing, you must squeeze and hold for 30 seconds.
- 3) Check Boxes: each step has a check box. Be sure to check the boxes as you go along to ensure you have not missed a step!
- 4) Handle parts carefully - hold them closely to not bend them.

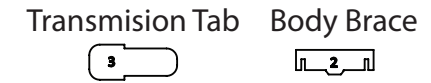
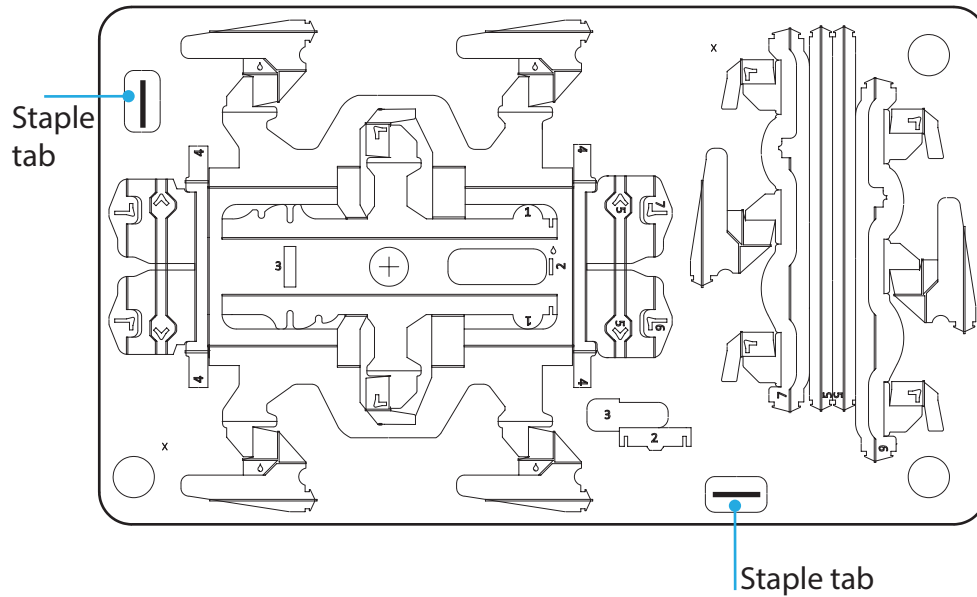


DASH ROBOTICS

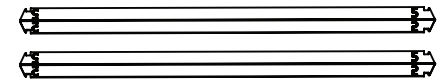
Build instructions

Punch out components

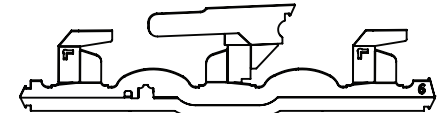
- Pull cardboard frame from package by ripping from staple tabs
- Identify and detach all components from cardboard frame



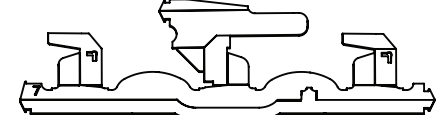
Mid Rails



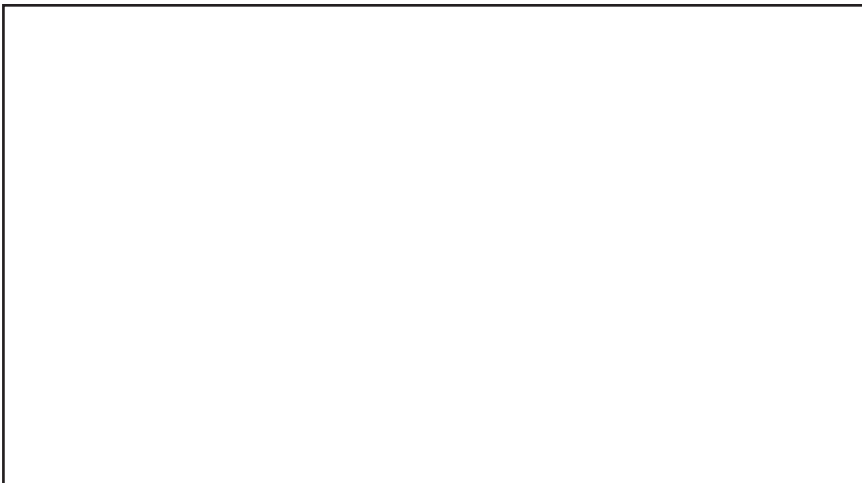
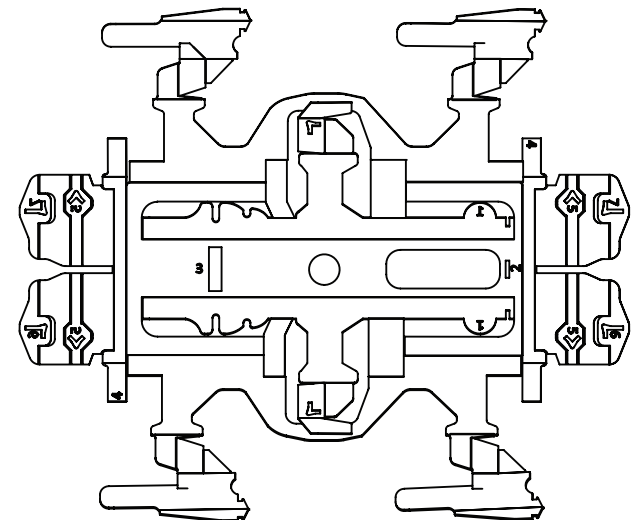
Hip Rail 6



Hip Rail 7



Main Body

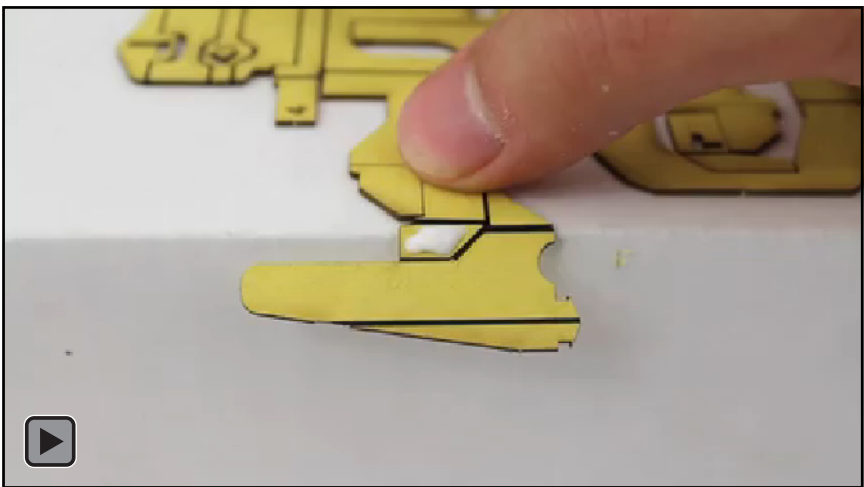
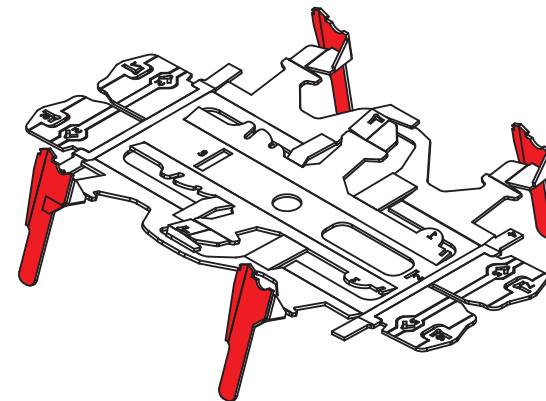
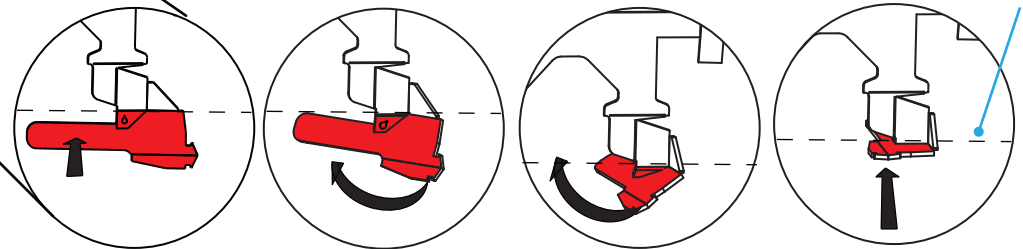
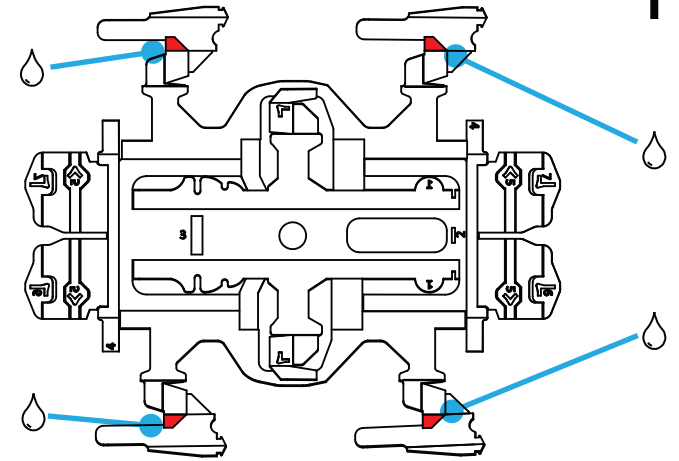
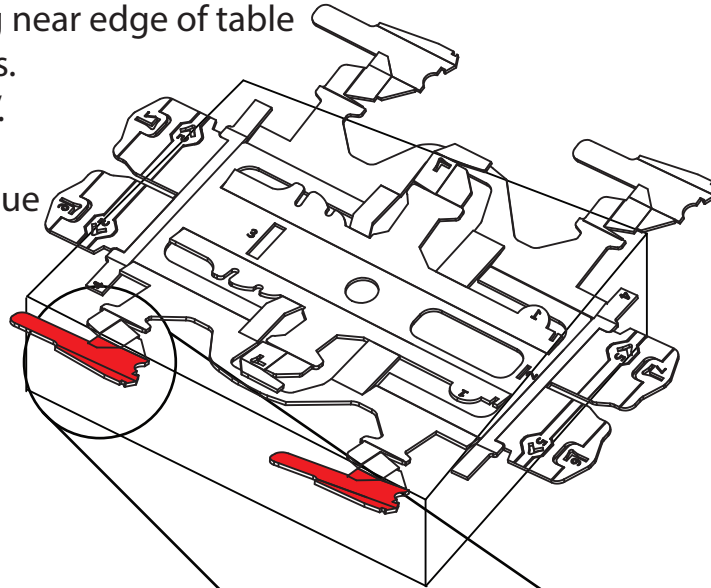


DASH ROBOTICS

Build instructions

Fold Legs

- Orient body with number "1"s facing up.
- Hold body so legs are hanging near edge of table
- Find four "💧" on body near legs.
- Put a drop of glue on each "💧".
- Rotate tip of leg down
- Squeeze leg against drop of glue
- Hold for 30 seconds
- Do this for all four legs

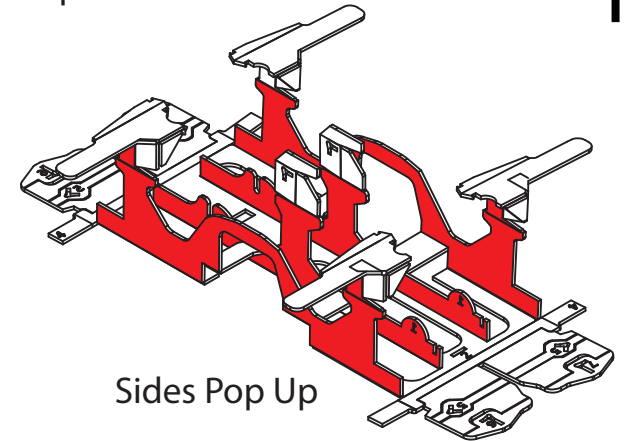
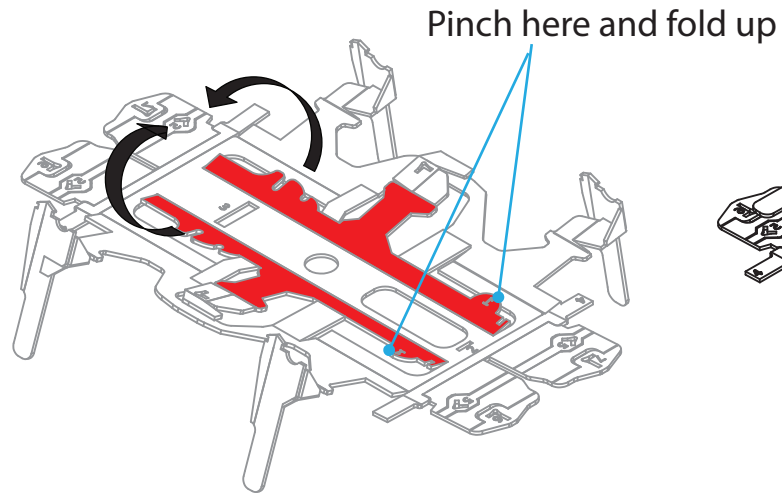


DASH ROBOTICS

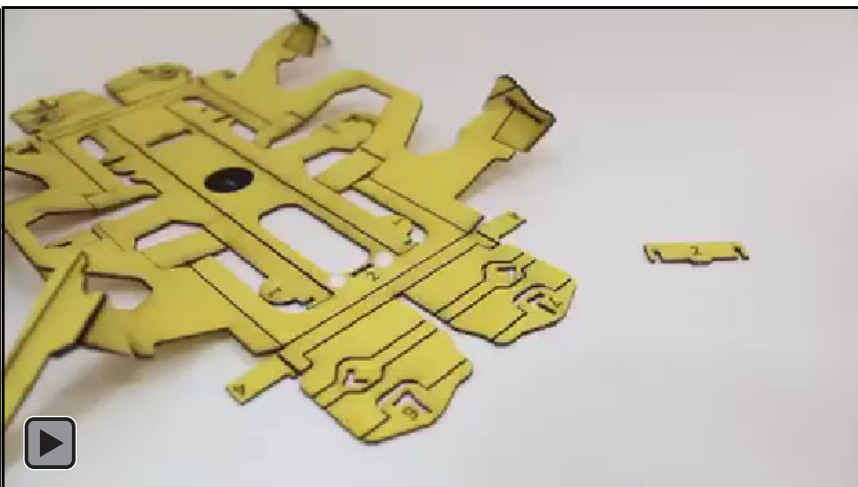
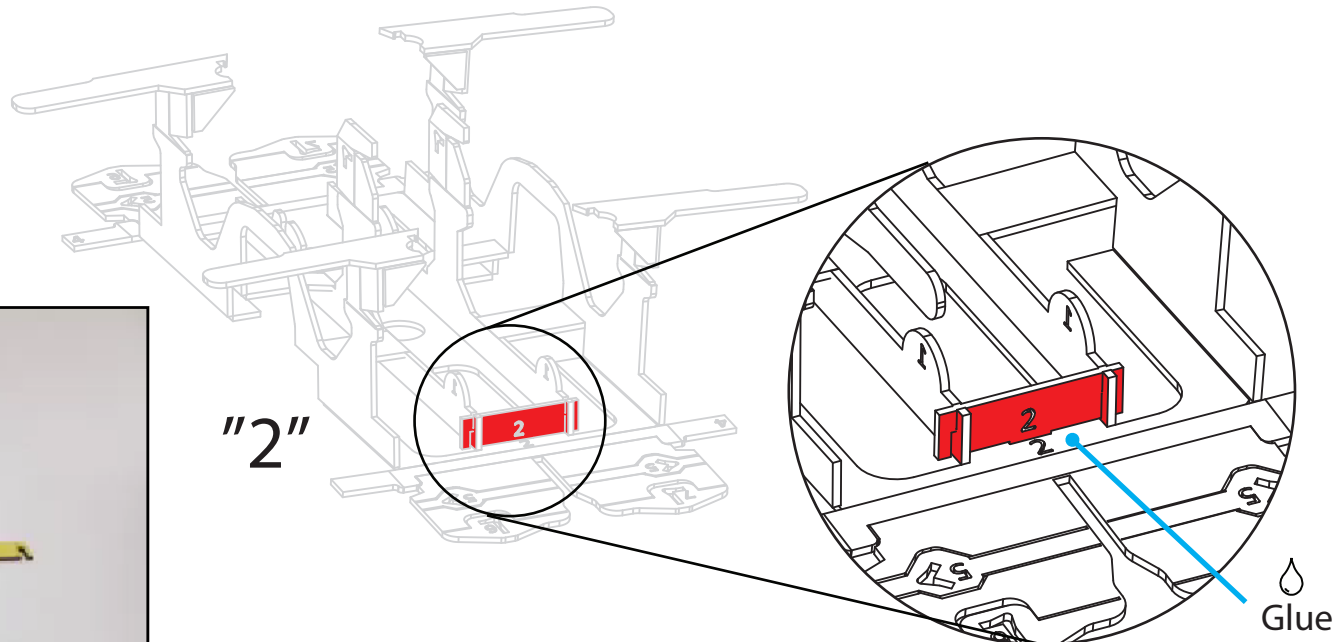
Build instructions

Insert Body Brace

- Find "1" on body.
- Pinch at each "1" and fold up.
- Sides of robot will pop up.
- Find "2" on Body
- Insert Body Brace
- Glue the Body Brace into the slot so "2"s are stacked.



Body Brace



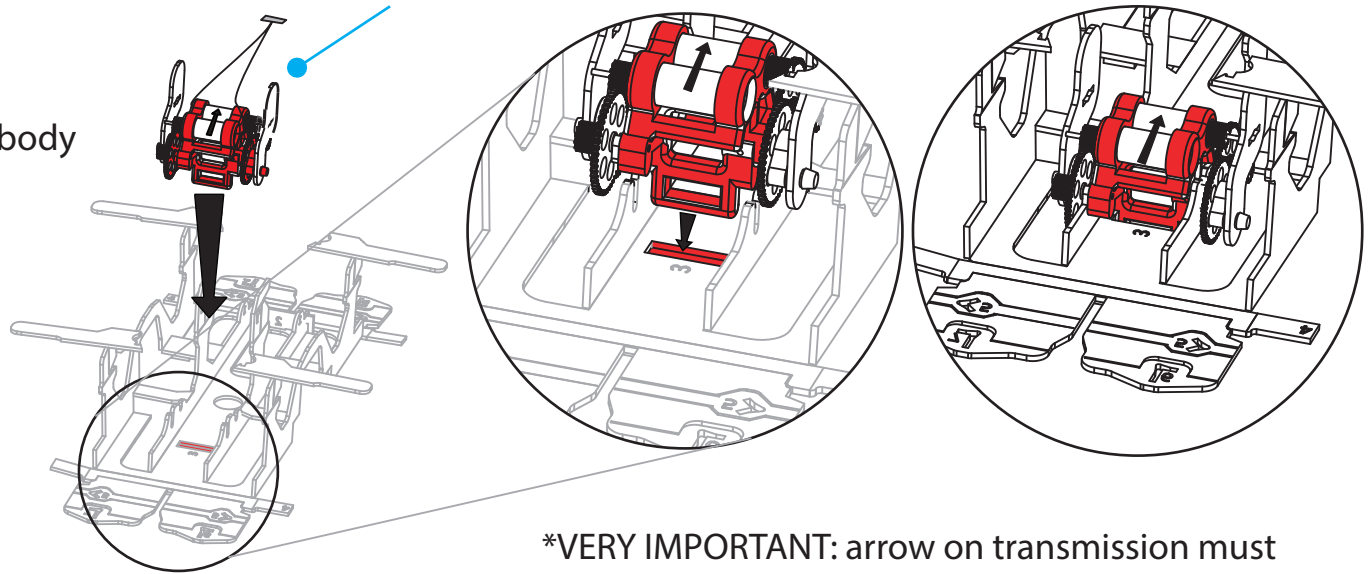
DASH ROBOTICS

Build instructions

Insert Transmission

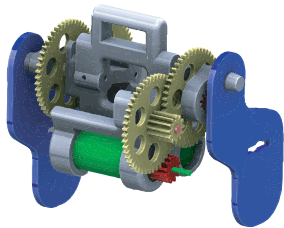
- Find "3" on under side of body
- Slide transmission into tab, arrow facing towards wire guide
- Check to ensure gears clear side of body
- Find "3" on Transmission Tab
- Place dab of glue on transmission tab
- Insert Transmission Tab through slot in transmission on top of Body

Arrow towards center

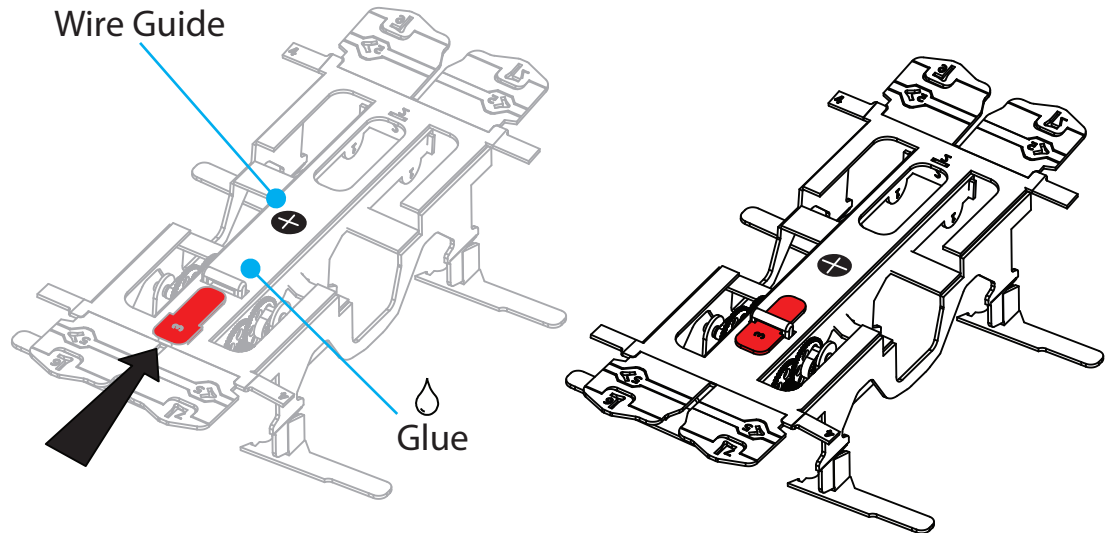


VERY IMPORTANT: arrow on transmission must point towards wire guide

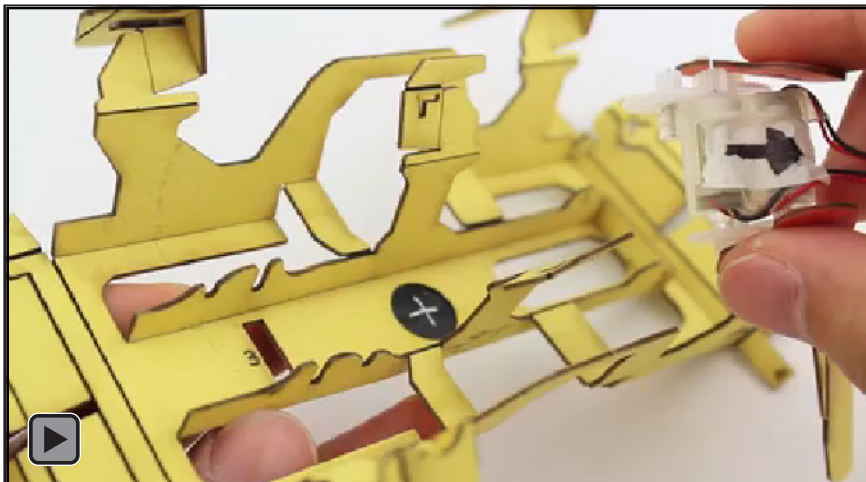
Transmission Tab



Wire Guide



Glue

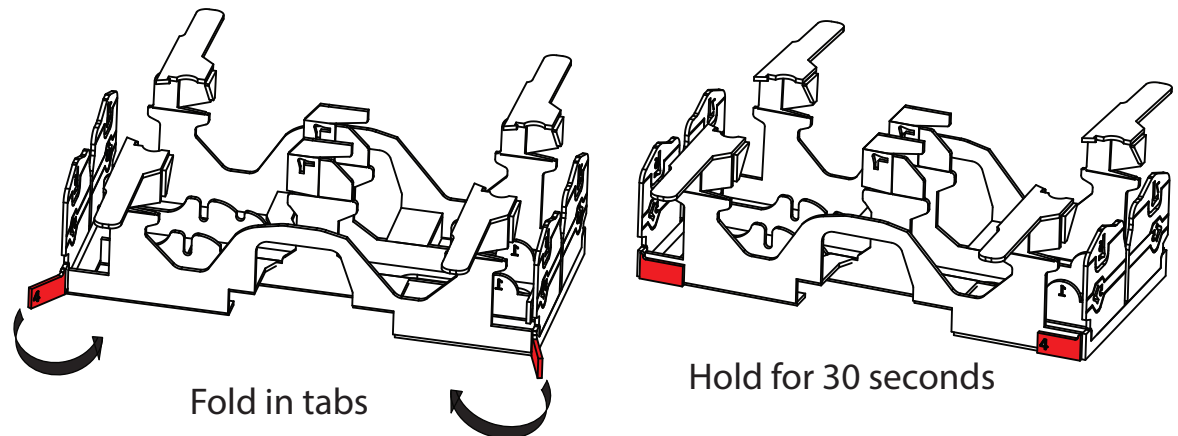
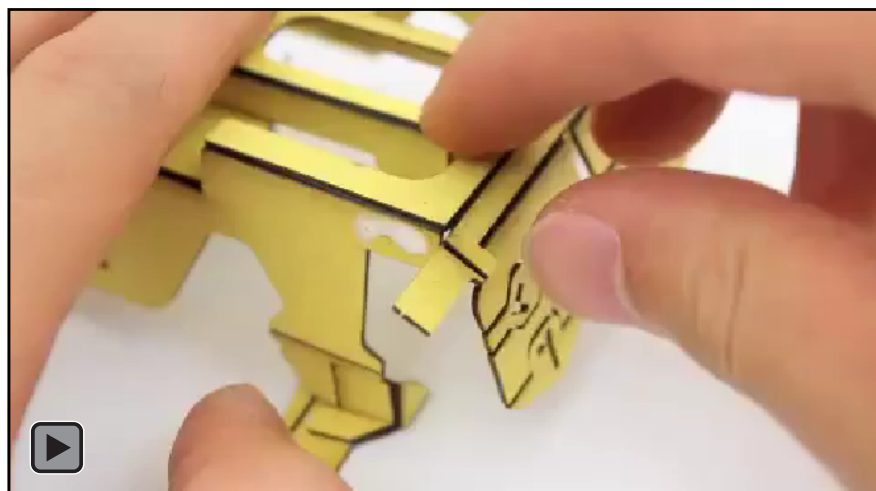
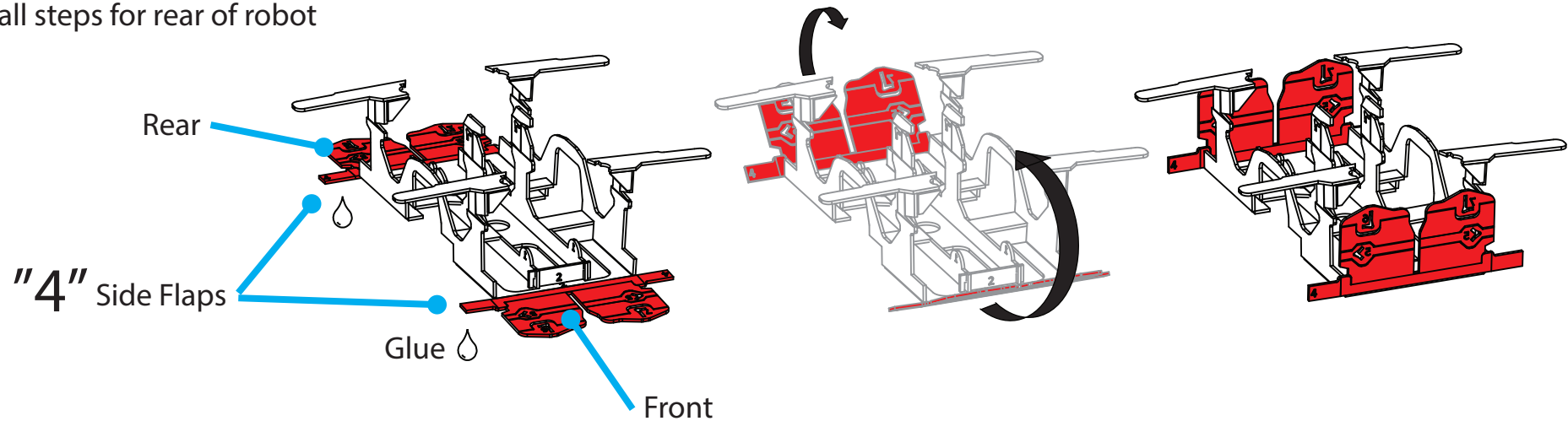


DASH ROBOTICS

Build instructions

Fold & Glue Front & Rear

- Find number "4" on side flaps
- Place dab of glue on all four side flaps
- Fold up front as shown
- Fold side flaps onto side of body
- Hold side flaps in place for 30 seconds
- Repeat all steps for rear of robot

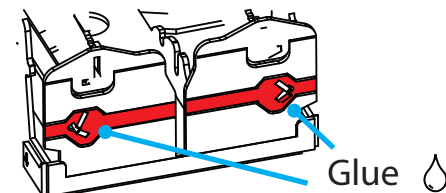
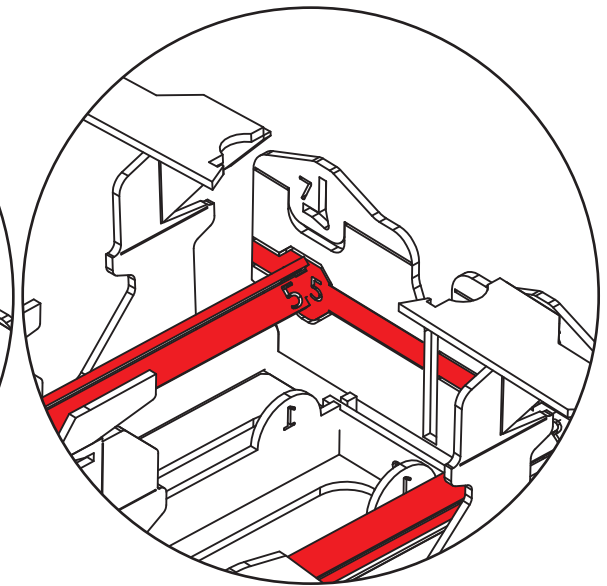
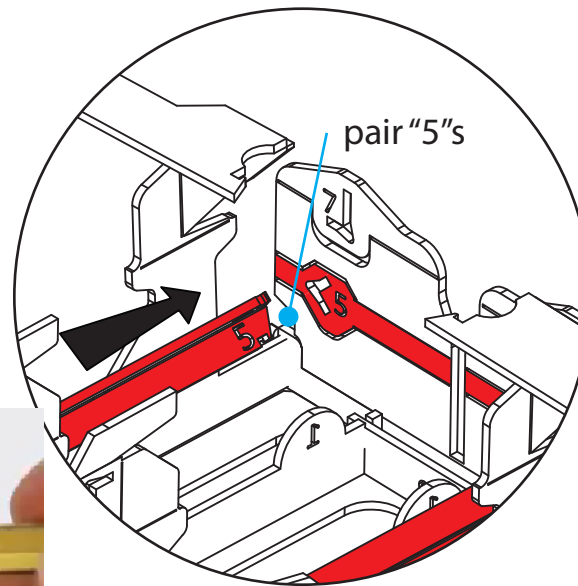
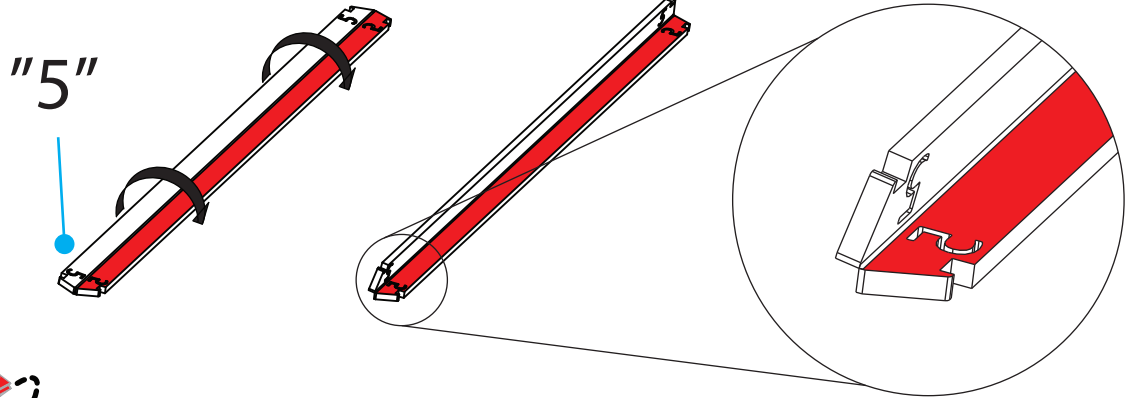
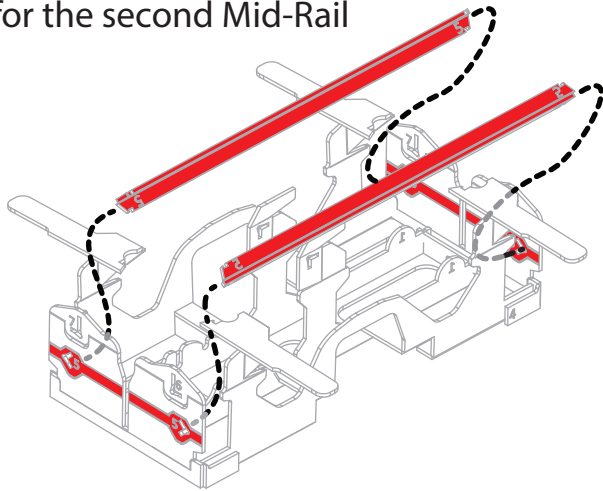


DASH ROBOTICS

Build instructions

Insert Mid-Rails

- Find "5" on the Mid-Rail
- Fold Mid-Rail with the "5" facing in
- Match "5" on Mid-Rail to "5" on the front
- Align the 2 "5"s side-by-side
- Gently press into place, hold like a pencil
- Glue in place on the outside of body
- Repeat for the second Mid-Rail

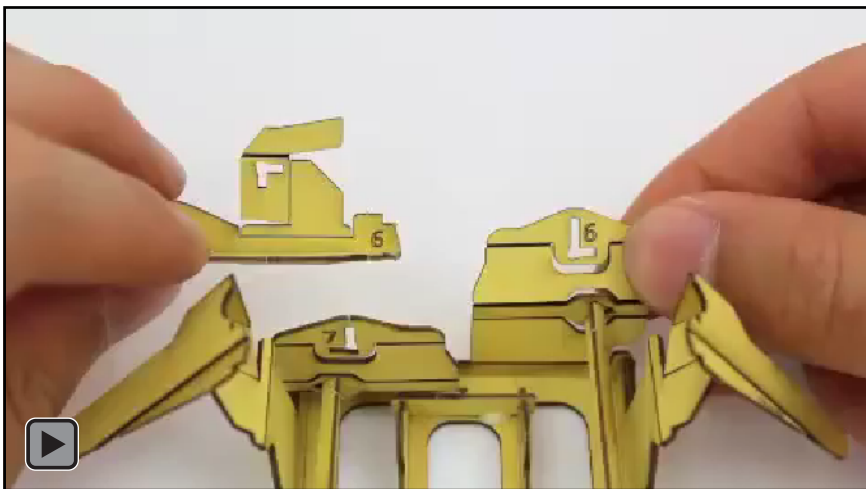
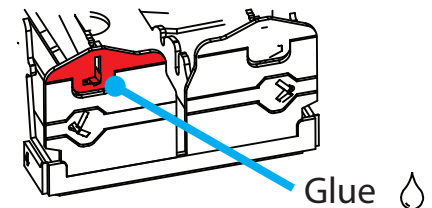
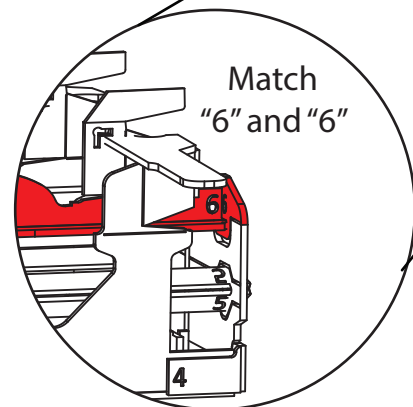
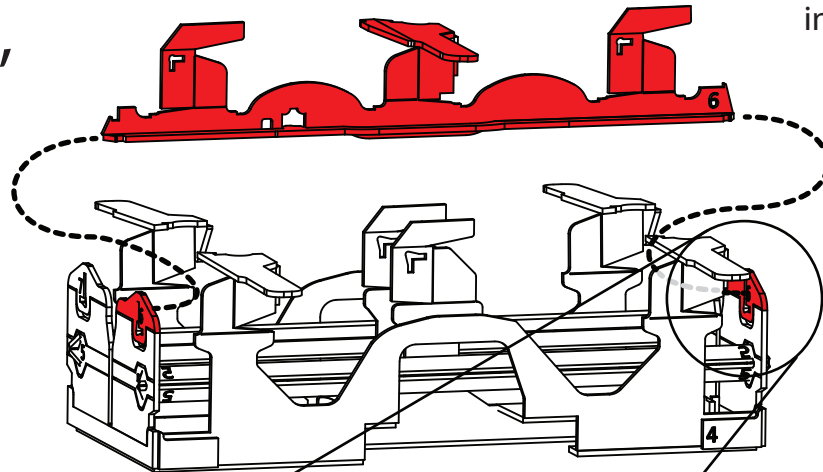
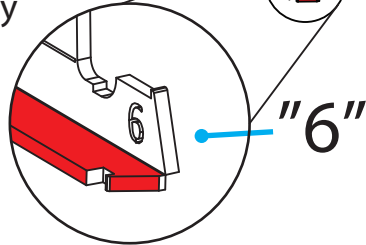
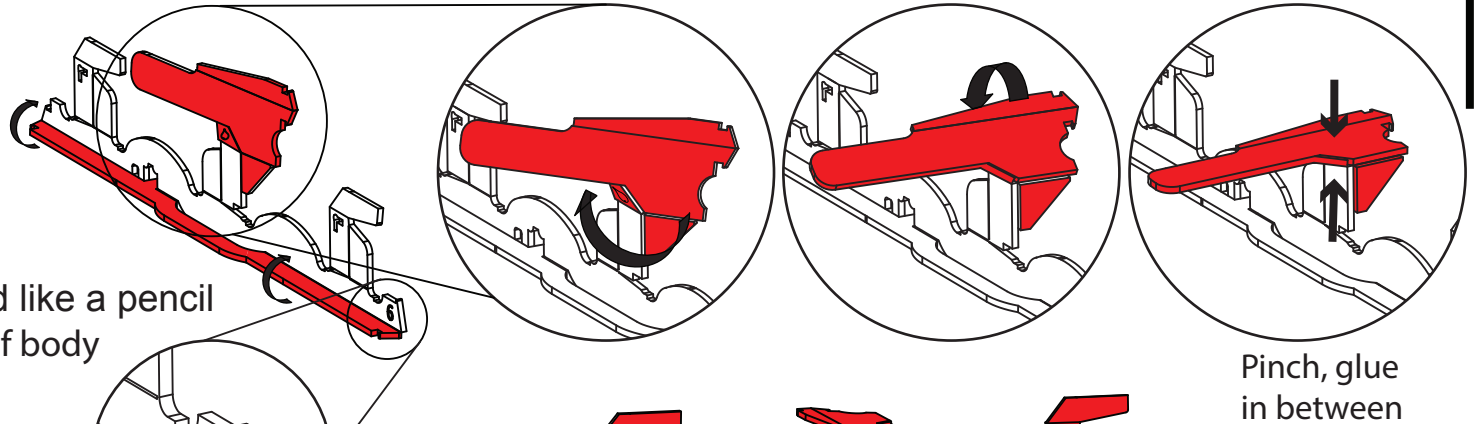


DASH ROBOTICS

Build instructions

Insert Hip Rail #6

- Find "6" on Hip Rail
- Place dab of glue on "6"
- Fold leg on Hip Rail
- Fold Hip Rail with "6" facing in
- Find "6" on front of robot
- Align the 2 "6"s side-by-side
- Gently press into place, hold like a pencil
- Glue in place on the outside of body

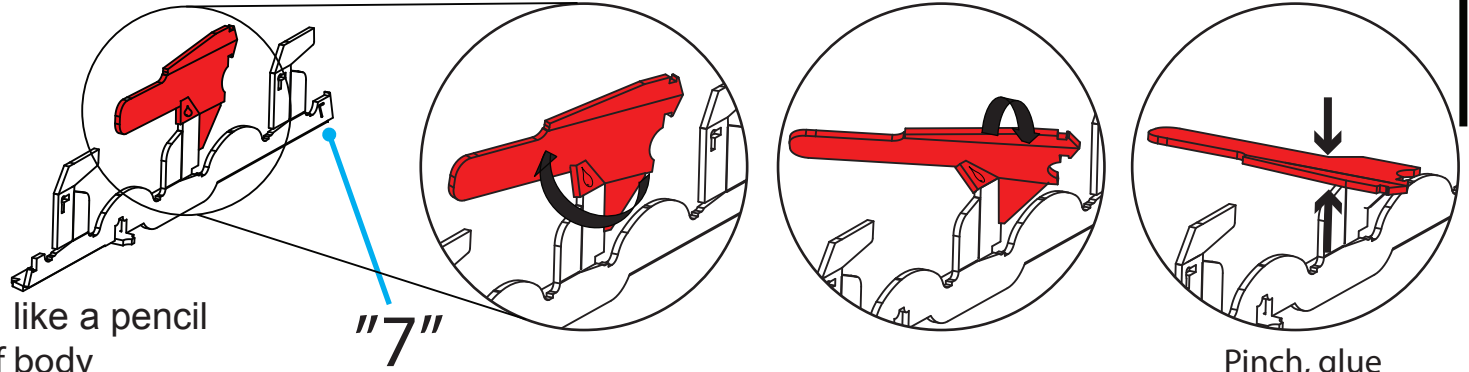


DASH ROBOTICS

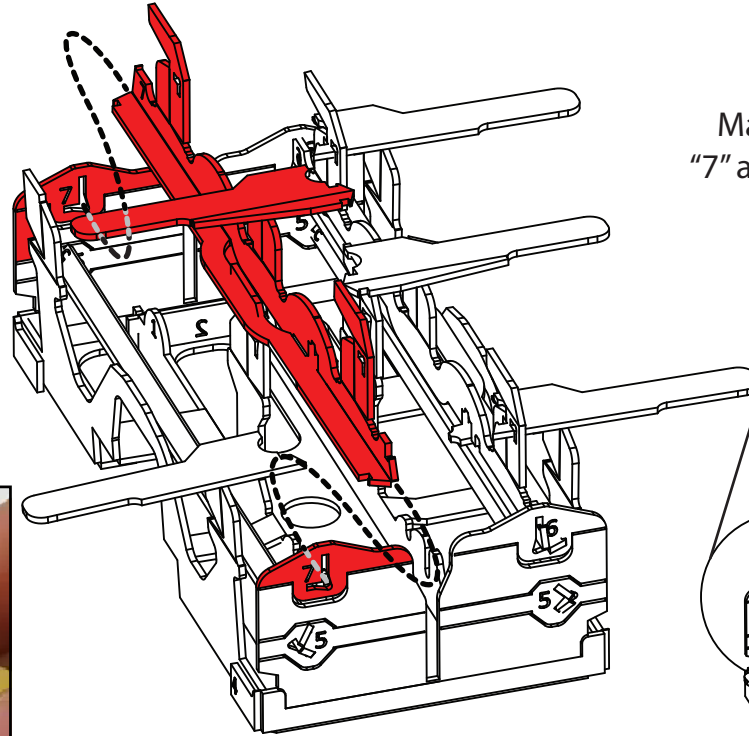
Build instructions

Insert Hip Rail #7

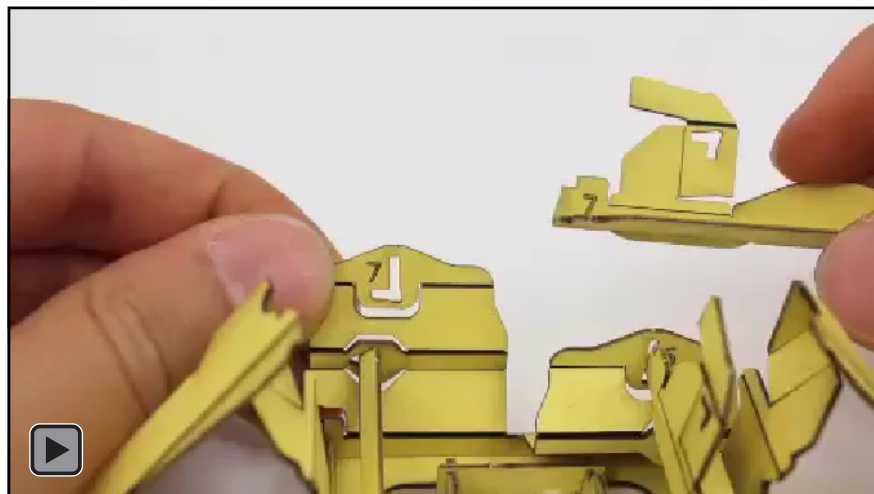
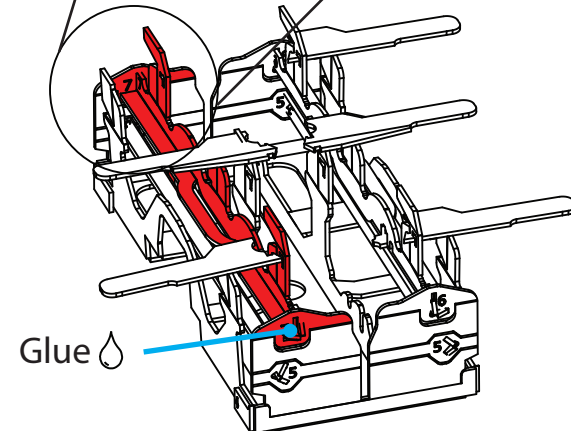
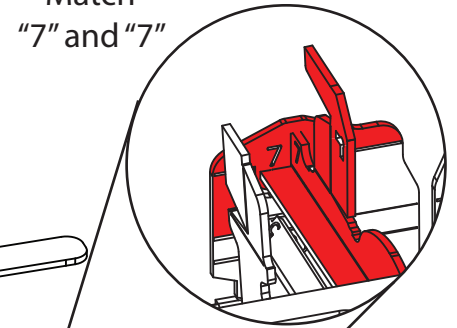
- Find "7" on Hip Rail
- Place dab of glue on "7"
- Fold leg on Hip Rail
- Fold Hip Rail with "7" facing in
- Find "7" on front of robot
- Align the 2 "7"s side-by-side
- Gently press into place, hold like a pencil
- Glue in place on the outside of body



Pinch, glue
in between



Match
"7" and "7"

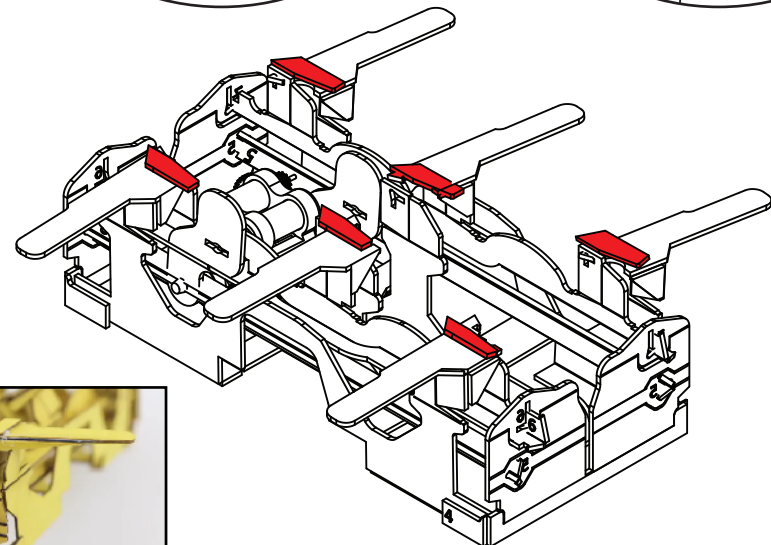
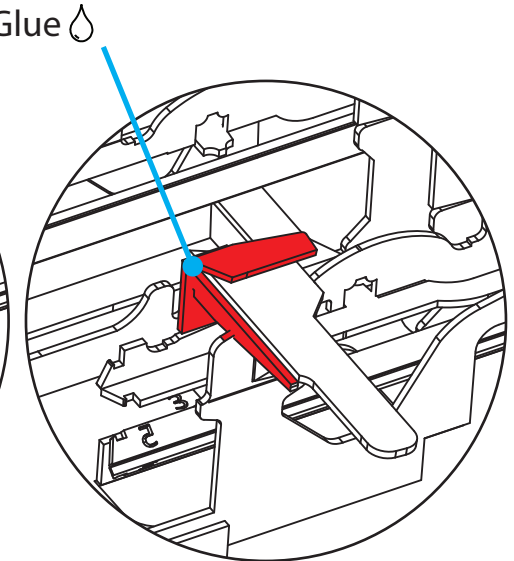
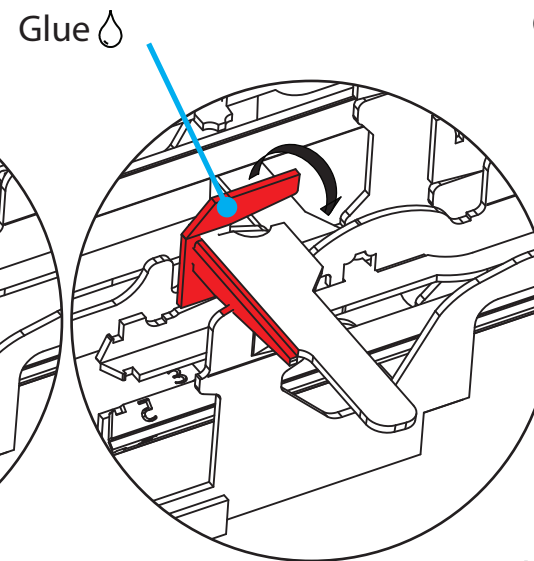
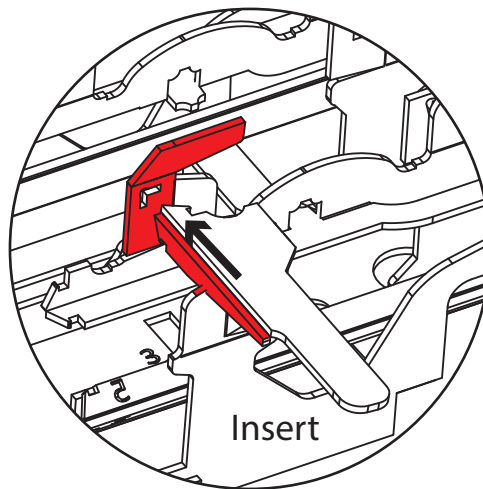
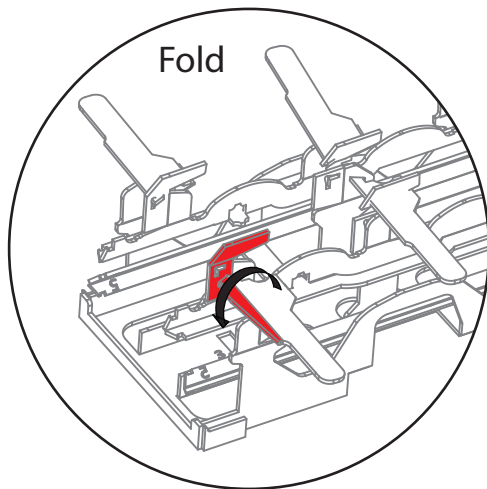


DASH ROBOTICS

Build instructions

Fold 6 Leg Flaps



- Fold over leg flap
- Insert into hip hole
- Place dab of glue on hip flap
- Fold hip flat onto leg
- Hold in place for 30 seconds
- Repeat for all 6 legs

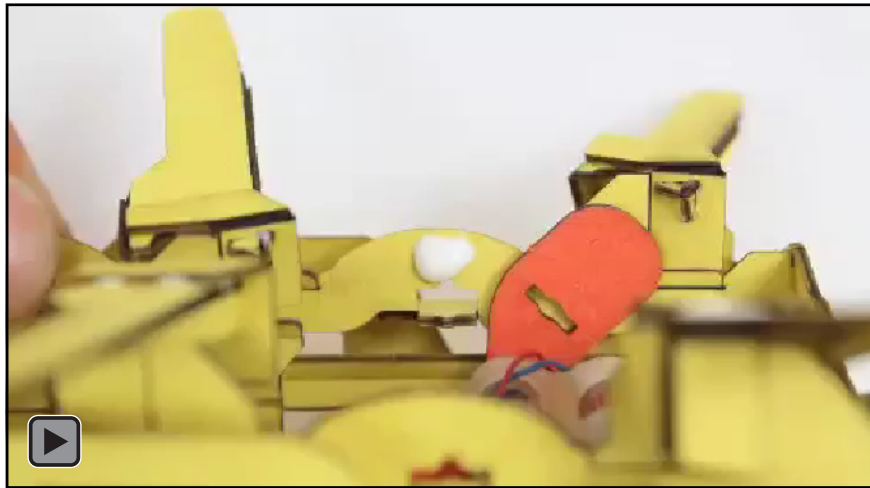
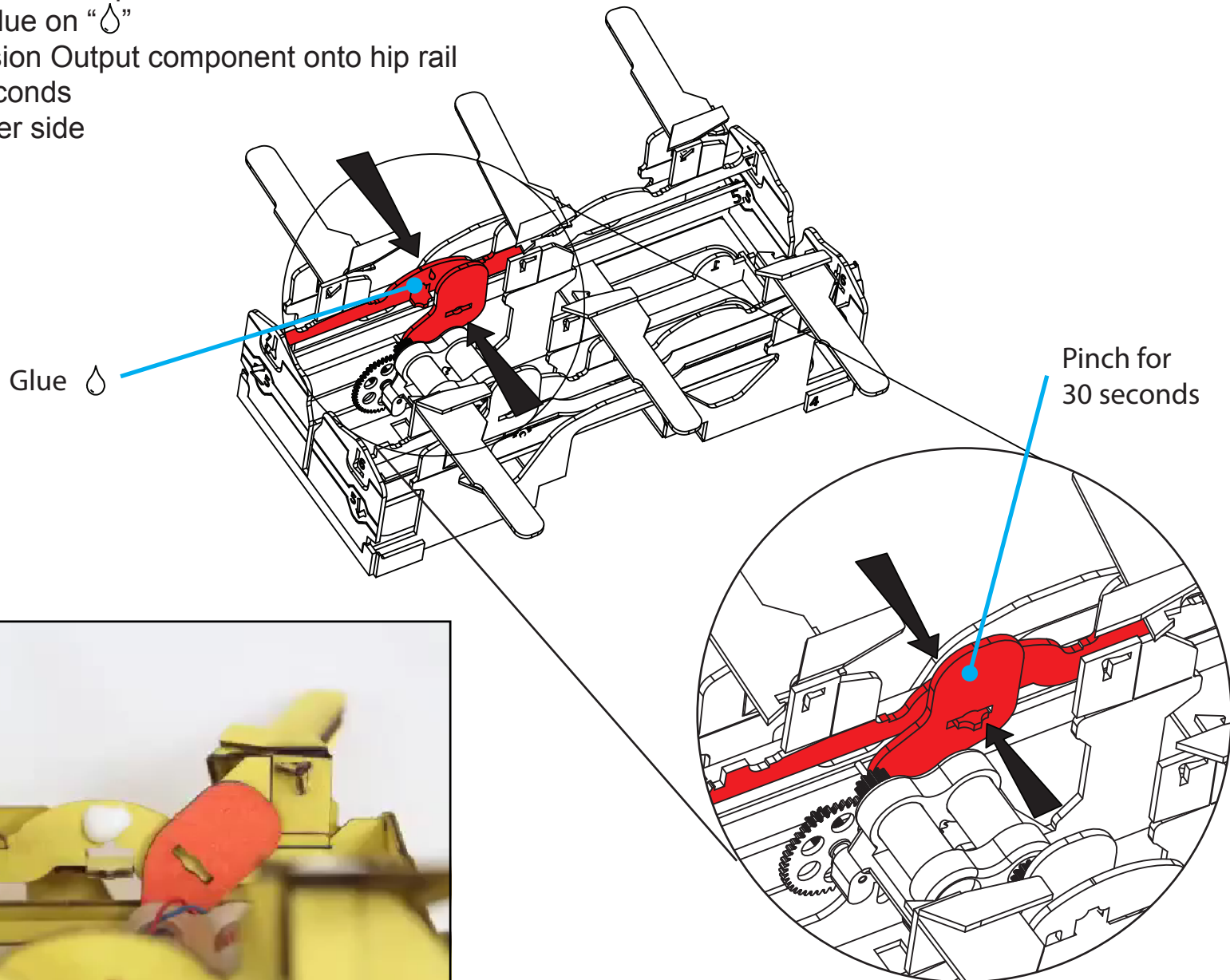


DASH ROBOTICS

Build instructions

Transmission Outputs

- Find “” on inside of Hip Rail
- Place dab of glue on “”
- Slot Transmission Output component onto hip rail
- Hold for 30 seconds
- Repeat for other side

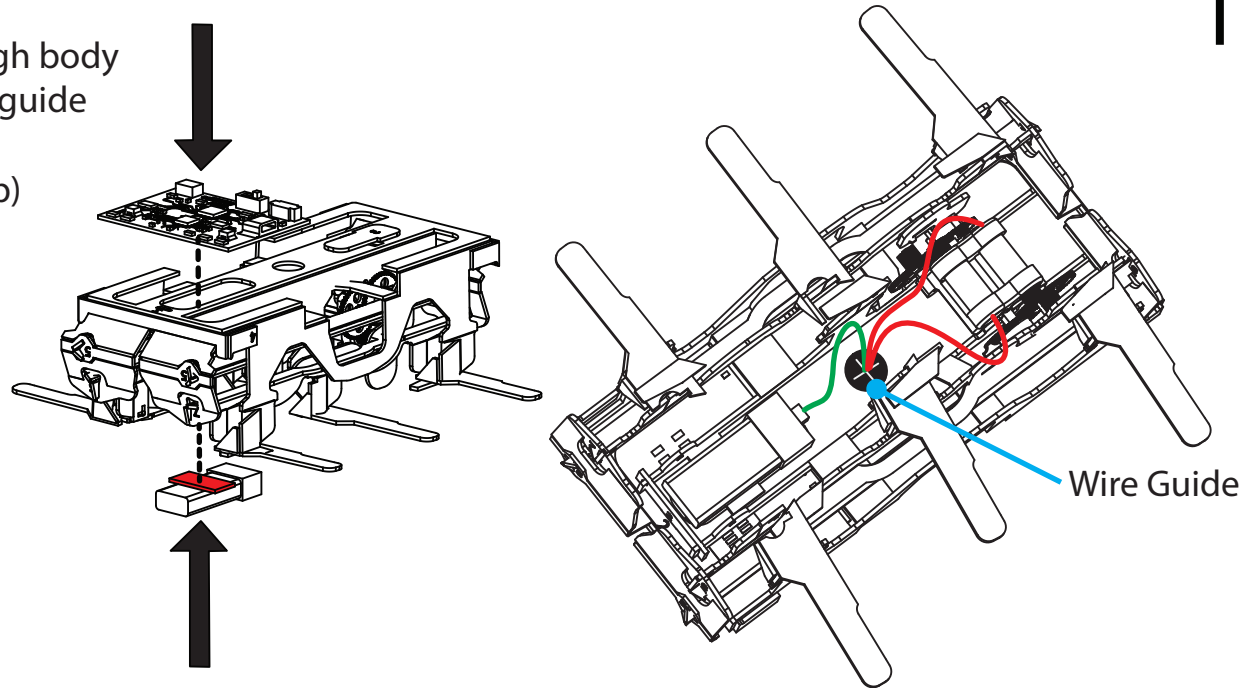
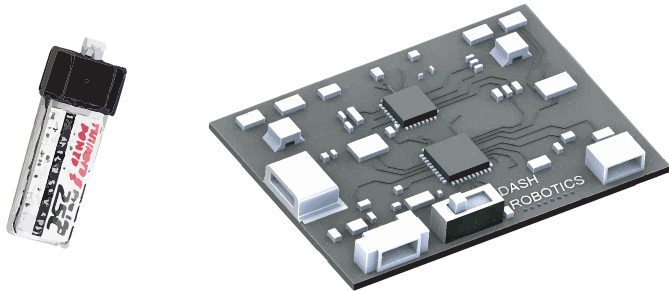


DASH ROBOTICS

Build instructions

Attach DashBoard

- Slot DashBoard into hole on top of Body
- Motor/Battery ports facing wire guide
- Attach battery to bottom of DashBoard through body
- Thread battery and motor wires through wire guide
- Plug battery wire into DashBoard
- Plug motor wires into DashBoard (Black dot up)



Motor Wires
(Black dot up)

