

Deluxe Water Park • Parc aquatique de luxe • Parque Acuatico De Luxe
Instructions for Installation and Operation • Instructions d'installation et d'utilisation
Instrucciones de instalación y funcionamiento

Ages: 5 years and up • Âge : 5 ans et plus • Edades: 5 años adelante

CAUTION: ELECTRICALLY OPERATED PRODUCT.

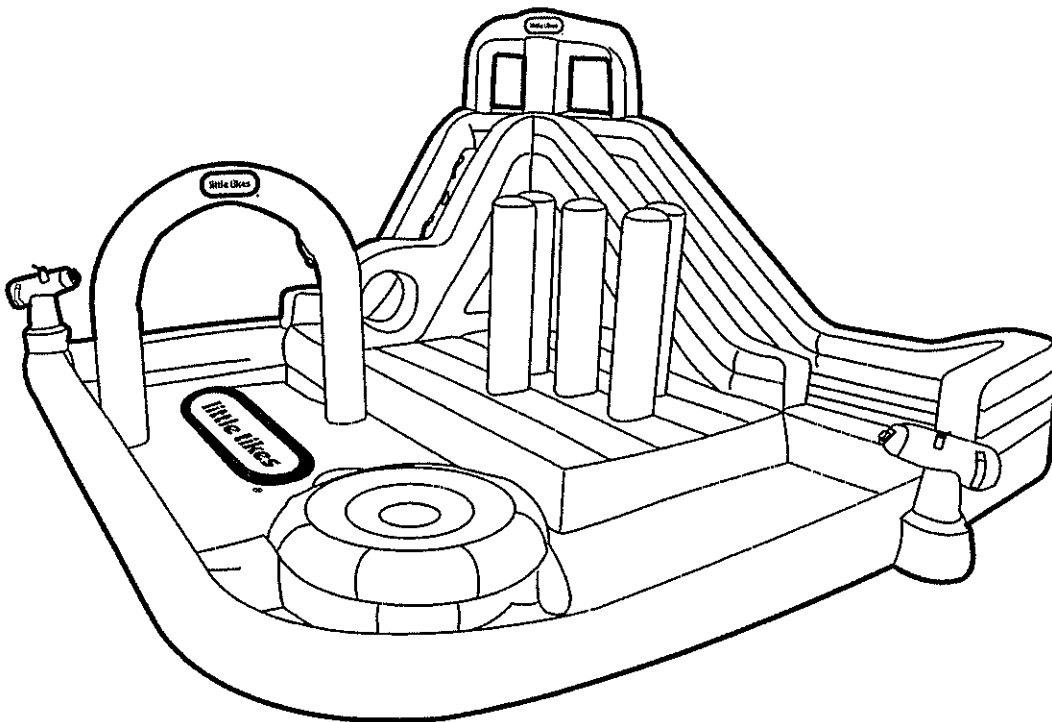
NOT RECOMMENDED FOR CHILDREN UNDER 5 YEARS OF AGE. AS WITH ALL ELECTRIC PRODUCTS, PRECAUTIONS SHOULD BE OBSERVED DURING USE AND HANDLING TO PREVENT ELECTRIC SHOCK.

ATTENTION : PRODUIT FONCTIONNANT À L'ÉLECTRICITÉ.

DÉCONSEILLÉ POUR LES ENFANTS DE MOINS DE 5 ANS. COMME AVEC TOUS LES PRODUITS ÉLECTRIQUES, PRENEZ LES PRÉCAUTIONS NÉCESSAIRES POUR MANIPULER ET UTILISER LE PRODUIT AFIN DE PRÉVENIR LES RISQUES DE CHOC ÉLECTRIQUE

PRECAUCION: PRODUCTO ELECTRICO.

NO SE RECOMIENDA PARA NIÑOS MENORES DE 5 AÑOS DE EDAD. COMO CON TODO PRODUCTO ELECTRICO DEBEN OBSERVARSE CIERTAS PRECAUCIONES DURANTE EL MANEJO Y USO PARA EVITAR CHOQUES ELECTRICOS.



ATTENTION:
IF YOU ENCOUNTER PROBLEMS, OR HAVE QUESTIONS, PLEASE DO NOT RETURN TO THE PLACE OF PURCHASE. PLEASE CALL OUR QUALIFIED CUSTOMER SERVICE TECHNICIANS AT 1-800-321-0183

ATTENTION:
POUR TOUT PROBLÈME OU TOUTE QUESTION, NE RETOURNEZ PAS AU LIEU D'ACHAT. VEUILLEZ CONTACTER NOS TECHNICIENS QUALIFIÉS DU SERVICE À LA CLIENTÈLE AU 1-800-321-0183

ATENCIÓN:
SI TIENE PROBLEMAS, O ALGUNA PREGUNTA, POR FAVOR NO SE DIRJA AL ESTABLECIMIENTO DE COMPRA. POR FAVOR LLAME A NUESTROS TECNICOS DEL SERVICIO DE ATENCIÓN AL CLIENTE AL NUMERO NUMERO 01-800-52-27289

IMPORTANT SAFETY RULES
Read, Understand, Follow and Retain All Instructions Carefully Before Installing and Using this Product.

RÈGLES IMPORTANTES SUR LA SÉCURITÉ
Lisez, comprenez, suivez attentivement et gardez toutes les instructions avant de monter et d'utiliser ce produit

IMPORTANTES REGLAS DE SEGURIDAD
Lea, Entienda, Siga y Guarde Todas Las Instrucciones Atentamente Antes de Instalar y Usar este Producto.

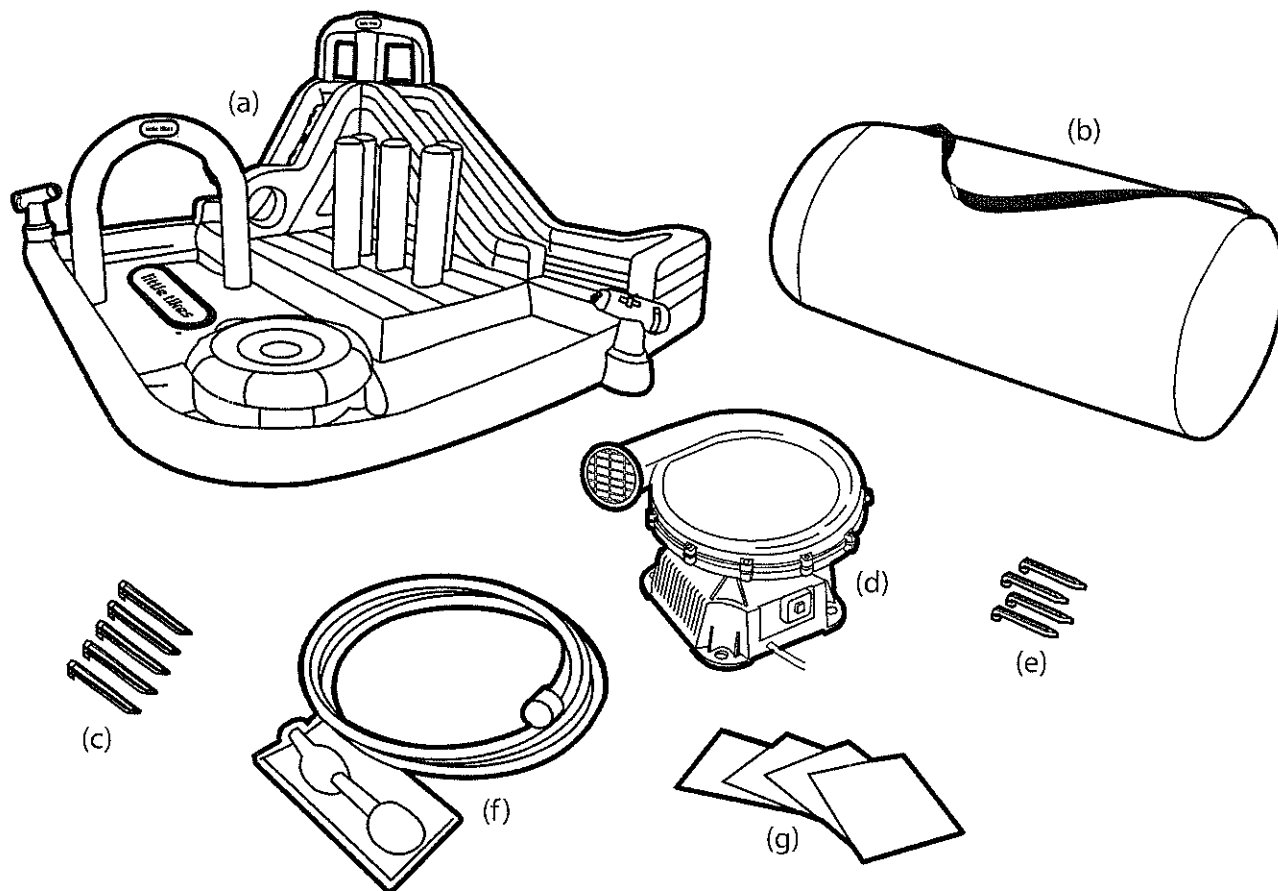


457C

INTRODUCTION

This huge inflatable water park and play area measures over 20 x 20 x 12 feet! With its tall, strong, inflatable walls, fun slide, tunnel, water cannons, red bop bags, play area and pool, the Deluxe Water Park provides tons of water fun, while the heavy duty blower maintains a continuous air flow! It's the perfect water play area for the Little Tikes® in your life!

CONTENTS



- (a) 1 inflatable deluxe water park
- (b) 1 carrying strap
- (c) 5 water park stakes
- (d) 1 blower with GFCI plug
- (e) 4 blower stakes
- (f) 1 complete hose assembly including:
 - 1 faucet connector section
 - 2 valves for "cannons"
 - 2 single-hole spray heads for "cannons"
 - 1 double-outlet sprinkler head for slide
 - 1 single-outlet sprinkler head for arch
- (g) 1 set of repair patches

WARNINGS: ELECTRICAL

DANGER

BLOWER SPECIFICATIONS

MODEL: FJ-28

ELECTRICAL RATING: 120V AC, 60 HZ, 8.7A, 1040W



LISTED
3FW2
E234531

⚠ CAUTION: ELECTRICALLY OPERATED PRODUCT

DANGER - TO PREVENT ELECTRIC SHOCK, DO NOT IMMERSE IN WATER
WIPE CLEAN WITH DAMP CLOTH.

⚠ WARNING: FAILURE TO FOLLOW THESE INSTRUCTIONS COULD RESULT IN SERIOUS INJURY OR DEATH.
ADULT SET-UP AND SUPERVISION REQUIRED.

⚠ CAUTION: The blower is a high volume blower, and is capable of moving lots of air very quickly. Place the blower in an area where it will not suck in dirt or leaves. Keep the blower and power cord away from children, pets, bodies of water, pools, spas, and traffic.

INSTRUCTIONS FOR BLOWER INSTALLATION

NOTE: Set up as close to the power source as possible. The product should be periodically examined for potentially unsafe conditions such as: damaged cord, plug, housing or parts, and in the event such damage is found, the product should not be used until properly repaired. Never leave the blower outside in the rain or elements when not in use. When in use, do not place the cord across traffic areas, water or damp areas. The blower should be placed on a stable surface and anchored per product instructions.

- 1) Make sure that the blower switch is in the "OFF" position (see figure A). Plug the blower into a properly grounded 110V-120V GFCI outlet (Ground Fault Circuit Interrupt - see below)
- 2) To disconnect the plug, have an adult grip it tightly and pull it from the wall outlet.

⚠ WARNING:

- This blower is for residential use only (110V-120V GFCI outlet). It is not intended to be used in commercial or industrial settings.
- Never insert fingers, pencils or any other object through the grill at ANY time.
- Do not operate any appliance with a damaged cord or plug, after the appliance malfunctions or has been dropped or damaged in any manner.
- Do not operate in the presence of explosive and/or flammable fumes.
- WARNING - To reduce the risk of fire or electric shock, do not use this fan with any solid - state speed control device.

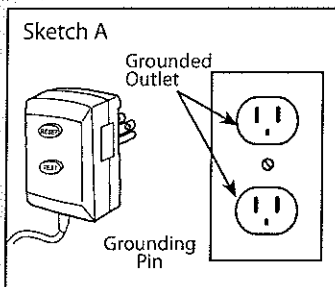
⚠ INSTRUCTIONS FOR BLOWER CLEANING AND STORAGE

Do not immerse the blower in water. Unplug the blower before cleaning. To clean: wipe with a damp cloth. The blower does not require any lubrication and has no user serviceable parts. Do not attempt to service the blower. When not in use, store the blower indoors in a dry place. Store the blower upright on a stable surface. Loosely coil the cord and place it beside the blower.

⚠ WARNING: FAILURE TO FOLLOW THESE INSTRUCTIONS COULD RESULT IN SERIOUS INJURY OR DEATH.
ADULT SET-UP AND SUPERVISION REQUIRED.

- Use only with Ground Fault Circuit Interrupt (GFCI) receptacle.
- Do not use extension cords with this product.
- Outdoor use only.

GROUNDING METHODS



USE ONLY ON GFCI PROTECTED RECEPTACLES

⚠ CAUTION ⚠

GROUNDING INSTRUCTIONS FOR ALL GROUNDED, CORD-CONNECTED PRODUCTS

This product should be grounded. In the event of an electrical short circuit, grounding reduces the risk of electric shock by providing an escape wire for the electric current. This product is equipped with a cord having a grounding wire with an appropriate grounding plug. This plug must be plugged into an outlet that is properly installed and grounded in accordance with all local codes and ordinances. DANGER - Improper installation of the grounding plug can result in a risk of electric shock. If repair or replacement of the cord or plug is necessary, do not connect the grounding wire to either flat blade terminal. The wire with insulation having an outer surface that is green, with or without yellow stripes, is the grounding wire. Check with a qualified electrician or serviceman if the grounding instructions are not completely understood, or if in doubt as to whether the product is properly

grounded. Do not modify the plug provided; if it will not fit the outlet, have the proper outlet installed by a qualified electrician. For a grounded, cord-connected product, rated less than 15 amperes and intended for use on a nominal 100-120-volt supply circuit, these instructions should be followed. This product is for use on a nominal 100-120-volt supply circuit, and has a grounding plug that looks like the plug illustrated in sketch A. Temporary adapters should not be used. Do not use product until a properly grounded outlet (sketch A) can be installed by a qualified electrician.

NOTE: The product should be periodically examined for potentially unsafe conditions such as: damaged cord, plug, housing, or parts, and in the event such damage is found, the product should not be used until properly repaired. Never leave the blower outside in the rain or elements when not in use. The blower should be placed on a stable surface and anchored per product instructions. Refer to the instructions for set-up, storage and maintenance

SAFETY WARNINGS: USAGE

⚠ WARNING: CONSTANT, COMPETANT ADULT SUPERVISION OF CHILDREN AND OTHER POOL USERS IS REQUIRED AT ALL TIMES

⚠ WARNING: TO AVOID DANGER OF TRIPPING OVER THE AIR INTAKE AND/OR ELECTRICAL CORD, AND TO AVOID POTENTIAL INJURY, DO NOT WALK ON THE SIDE OF THE WATER SLIDE WHERE THE BLOWER MOTOR IS ATTACHED

⚠ WARNING: FAILURE TO FOLLOW THESE INSTRUCTIONS COULD RESULT IN SERIOUS INJURY OR DEATH



⚠ WARNINGS:

- Make sure the water slide area is secure by adding safety barriers, if necessary, to keep young children and pets from having access.
- Water Slide is to be assembled and disassembled by an ADULT only.
- DO NOT sit on the edges of the pool as damage and flooding may occur.
- DO NOT place toys or any other objects on or inside the Water Slide or in the surrounding area.
- Sudden gusts of wind may lift the product off the ground.
- Remove shoes, eyeglasses and sharp objects before playing.
- Use this Water Slide OUTDOORS only
- DO NOT slide down Water Slide head first or on your stomach
- Never dive, jump or slide into the pool area of the Water Slide.
- Keep any objects that a child could climb on at least six feet away from the Water Slide. Such objects include chairs, tables, boxes, toys or any other climbable objects.
- Always keep a list of emergency phone numbers handy.
- Never allow a child to play in the Water Slide area alone.
- Always drain the Water Slide after use. Do not leave it inflated or full of water overnight.
- Keep the area around the Water Slide clean, and clear of objects, to prevent slips and falls.
- Keep the pool water clean to prevent illness. Instruct all children to never drink pool water and to practice good hygiene.
- DO NOT use the Water Slide as a floatation or lifesaving device.
- As outdoor products, the Water Slide is subject to wear and deterioration. Keep the Water Slide properly maintained and watch for signs of fabric failure. Such failure can lead to injury and flooding of the pool area.

⚠ WARNING: Falls onto hard surfaces could result in head or other serious injuries. Never put Water Slide on concrete, asphalt, packed earth, wood or other hard surfaces. Outdoor use only. Product is heavy. Use caution when lifting.

SAFETY WARNINGS: SETUP

⚠ SETUP: ADULTS ONLY

ADULT SUPERVISION AND SETUP REQUIRED. This product should be inflated or deflated only by an adult.

DO NOT SET UP ON HARD SURFACES. FOLLOW ALL INSTRUCTIONS PROVIDED.

Do not allow children to play in the product until it is fully inflated.

- Set-up in outdoor location only that meets the following criteria:
 - Place on level ground on grass or non-packed dirt surface to allow proper use of stakes.
 - Secure the Water Slide to the ground with the included stakes.
 - Minimum clearance zones: Place at least 6.6 ft (2m) away from any other objects. Objects to be avoided include but are not limited to fences, buildings, trees, overhead branches, laundry lines, electrical wires, walls, or open bodies of water such as swimming pools, ponds, lakes, etc.
 - Placing on slanted or uneven surfaces may cause the product to tip.
1. After inflation, the blower should run continuously while children are playing
ATTENTION: Blowers should remain on and continuously inflate Water Slide during use. Air flow through seams is normal. Do not try to seal or repair seams.
 2. To deflate, switch the blower to the "OFF" position.
 3. Prior to deflating, remove all children.
 - ⚠ Attention: Intended for outdoor domestic family use only. Not for use in public areas or as a rental.
 - Instruct children on proper use of this product. Do not use in a manner other than intended.
 - Instruct children not to attach items to the product that are not specifically designed for use with the equipment, such as but not limited to, jump ropes, clothesline, pet leashes, cables and chains as they may cause a strangulation hazard.
 - Do not jump onto or off of product.
 - Ensure proper set up prior to use
 - Do not allow children to play together who are unevenly matched in weight and height.
 - Keep fabric clear of all flame and ignition sources.
 - Do not drag Water Slide across concrete, pavement or other rough surfaces.
 - Retain these instructions for future use.
 - Helmets, headgear, loose clothing, scarves, hoods, glasses, or clothing containing draw strings should not be worn when using this product.
 - Do not allow other toys or objects inside the product.
 - Keep pets away from product.

Water Park Placement

Designate a flat, level, grassy surface that allows for 6.6 feet of minimum clearance around the Water Park.

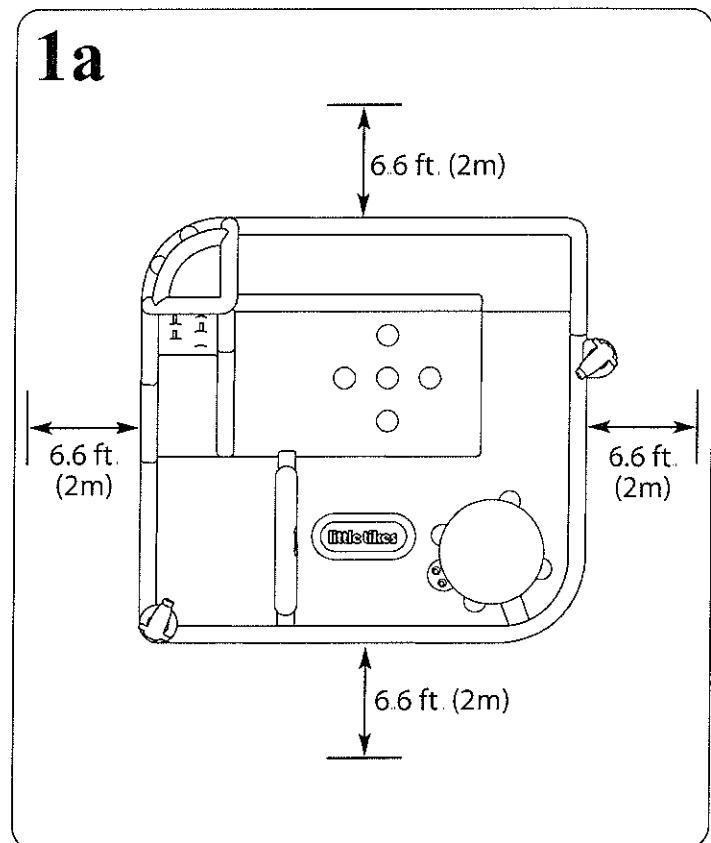
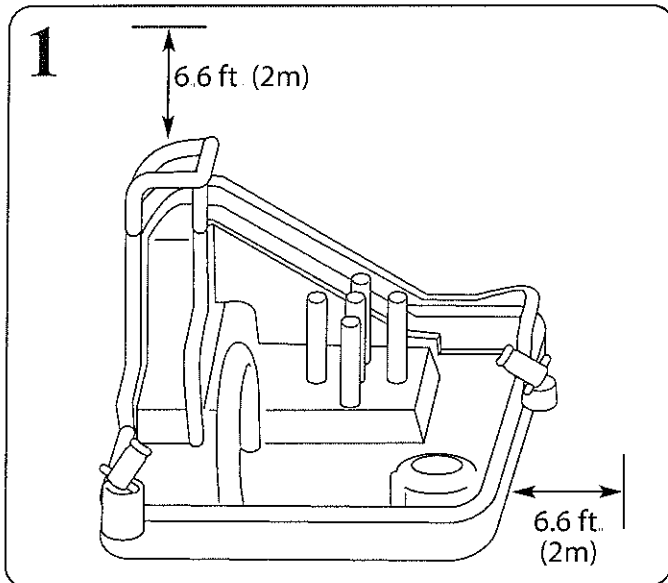
NOTE: DO NOT place the Water Park on a hard surface like asphalt, concrete or packed earth as both serious bodily injury and damage to the Water Park could result

ASSEMBLY AREAS

- Make sure the assembly area is flat and level and is free of rocks, sharp objects, etc.
- Do Not set up the Water Park on a slope or incline.
- Do Not set up the Water Park on hard-packed earth, asphalt, decking or any hard surface as doing so may result in physical injury and/or damage to the Water Park.
- Once the Water Park is inflated, DO NOT attempt to drag it to another location.
- Once the Water Park is filled with water, DO NOT attempt to drag it to another location.

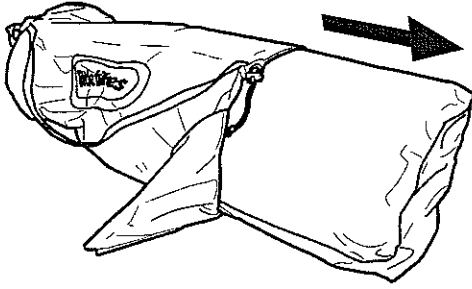
Minimum Clearance Zones

MINIMUM CLEARANCE ZONES: Make sure that there is a 6-foot obstacle-free zone around the Water Park and overhead. See Fig 1 and 1a below:



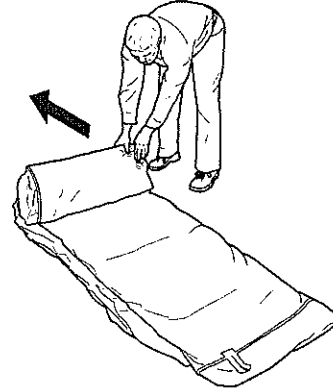
Unfolding Water Park

2



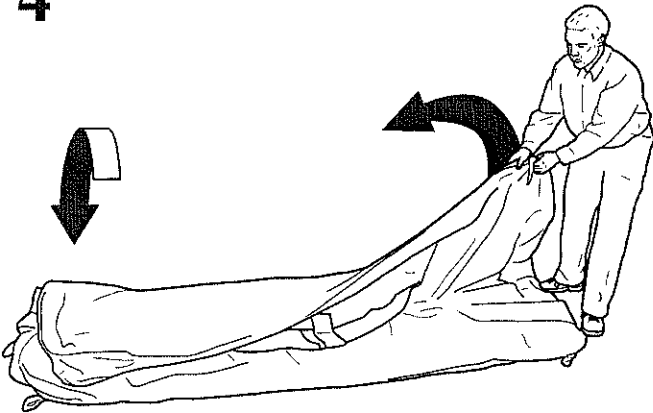
Remove Water Slide from Carrying Bag.

3

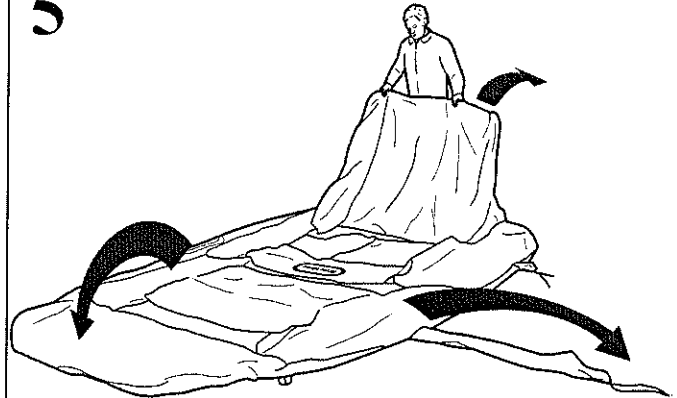


Unroll and unfold the Water Park in the center of the designated area.

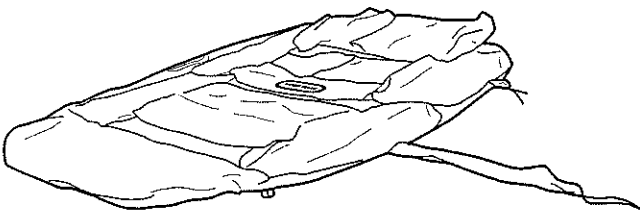
4



5

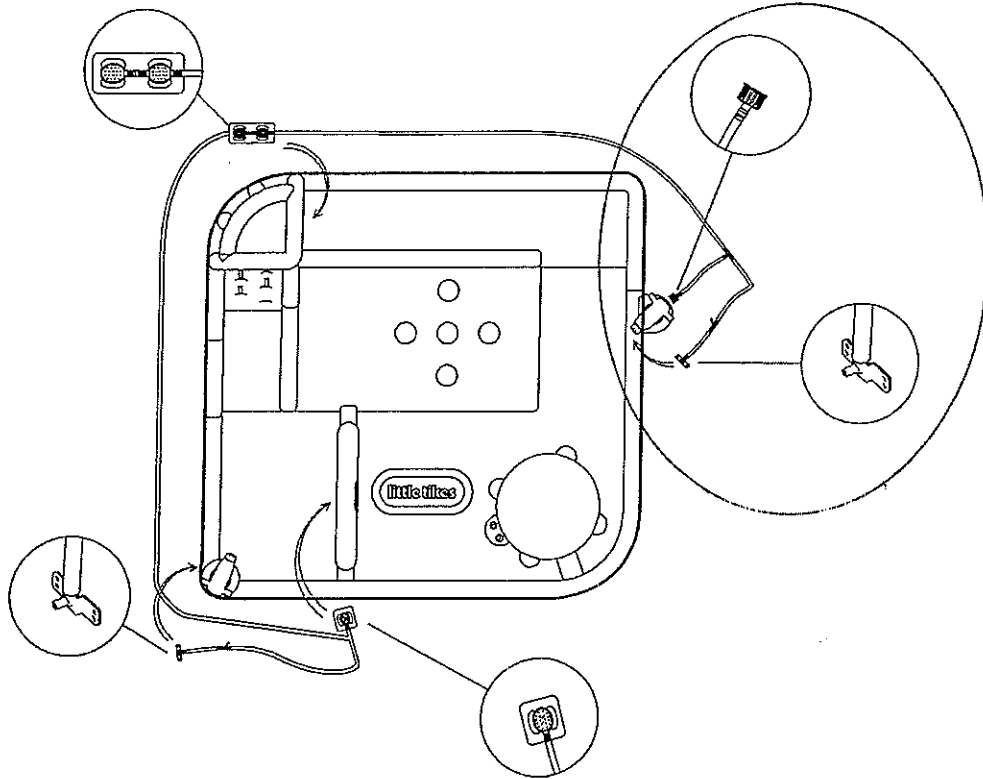


6



Water Park Spray Assembly, Part 1

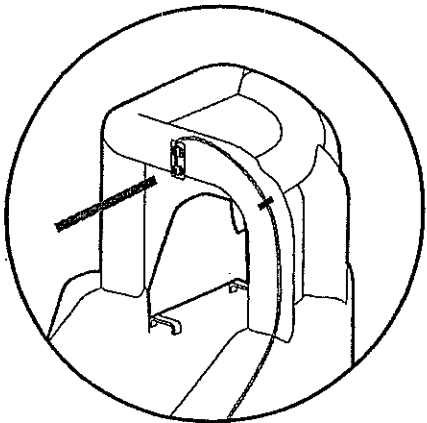
1



The Hose Assembly will attach to the Water Park as shown above.

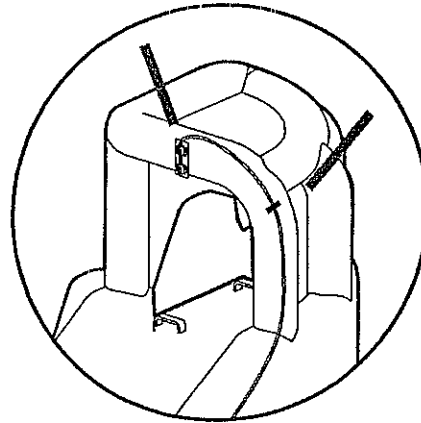
NOTE: Before inflating Water Park, perform steps 2 and 3 below:

2



Connect the Double - Outlet Sprayer to the top of the red arch with the hook and loop fastener.

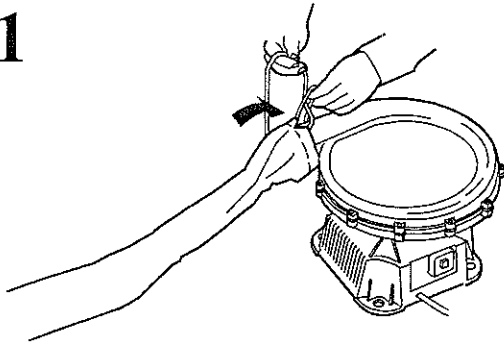
3



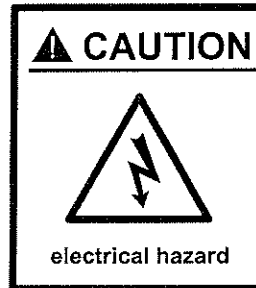
Attach the hose over the top and down the side of the red arch with the hook and loop fasteners on the arch.

Blower Setup

1



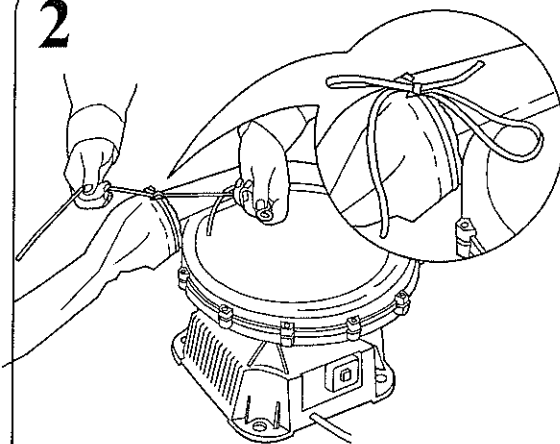
Attach the long Air Intake Tube on the Water Park to the mouth of the Blower Motor with the attached drawstring. Make sure the Intake Tube is free of twists or kinks.



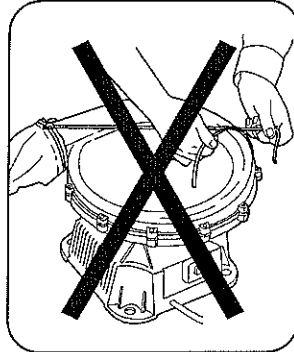
CAUTION: Heed all signs and warning labels on the blower motor.

NOTE: Position the blower motor perpendicular and level to the Water Park. Make sure that the blower is upright on a stable surface. Do not place the blower in an area where it can suck up dirt, leaves and other debris. Make sure that the blower is at least 6 feet away from any structure or obstacle such as a fence, garage, overhanging branches or electrical wires.

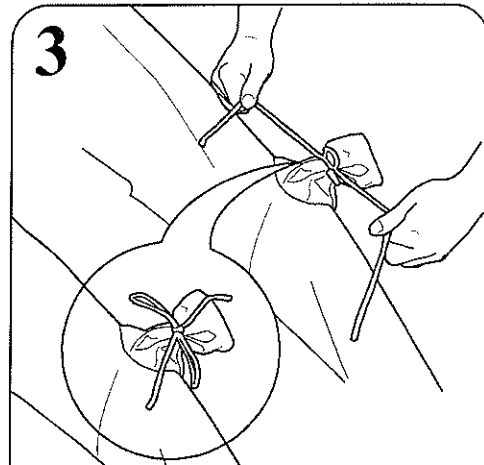
2



Wrap the drawstring once around the Intake Tube before tying it off. This ensures a tight seal.



3



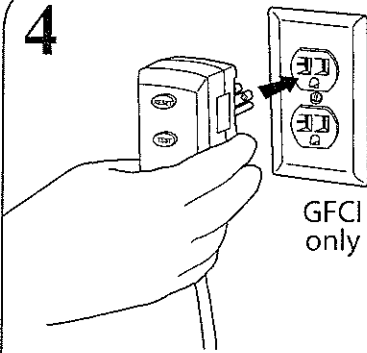
Tie off the short Air Outlet Tube tightly to make a good seal.

⚠ BLOWER CAUTIONS

- Do not open or try to service the blower. If blower needs servicing take it to a reputable dealer.
- Clearly mark the path of the power cord to avoid tripping and/or damage by yard equipment such as lawn mowers, etc.
- Do not leave the blower unattended.
- Do not allow blower to be used or played with by children.
- Do not cover the air intakes when the blower is being used and do not insert small objects into any part of the blower.
- Do not plug and connect the blower from the power supply before servicing.
- Do not use extension cords to power the blower.
- Disconnect the blower from the power source and Water Park when moving the slide.
- WARNING - To reduce the risk of fire or electric shock, do not use this fan with any solid - state speed control device.

Inflating the Water Park

4



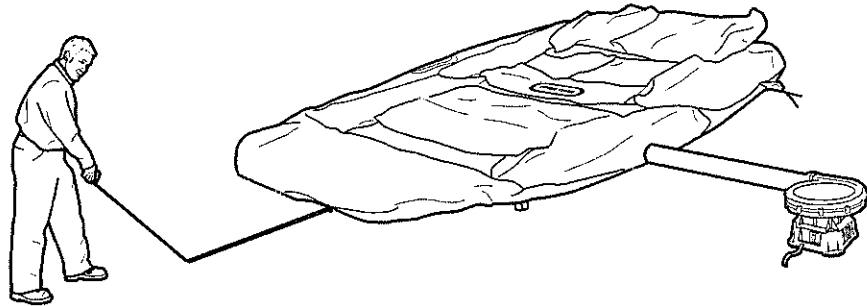
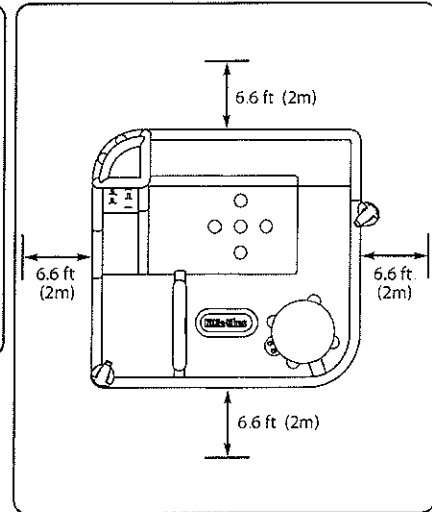
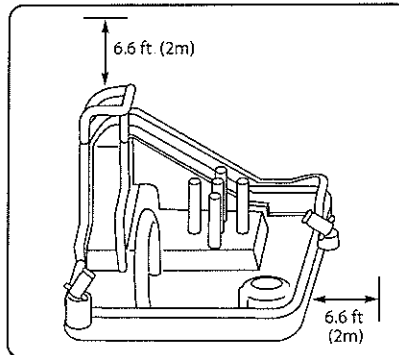
Test the Blower AC Adapter:
 a Plug GFCI into receptacle.
 b Press reset button.
 c Press test button.
 d Press reset button to use product. Do not use product if the test button fails to disable the blower



WARNING:

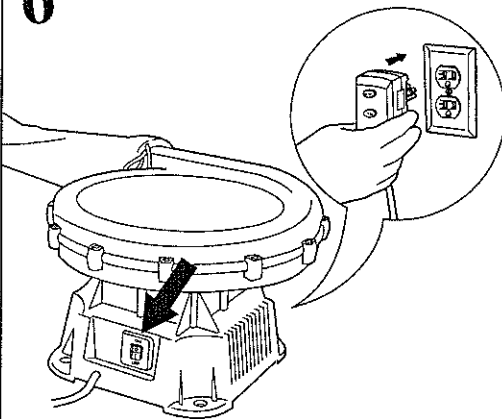
If the blower remains ON when the "test" button is pushed, the unit is NOT working properly. DO NOT USE THE UNIT. Take the unit to a certified electrician immediately.

5



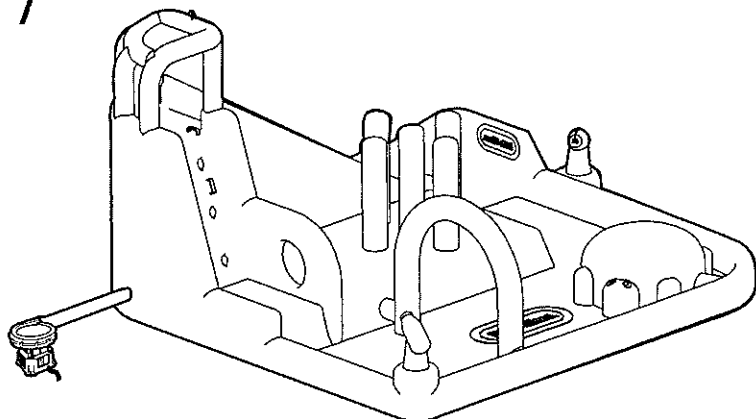
Re-measure minimum clearance zone prior to inflation.

6



Switch power on. If blower does not operate when switched on, press reset button on GFCI adaptor

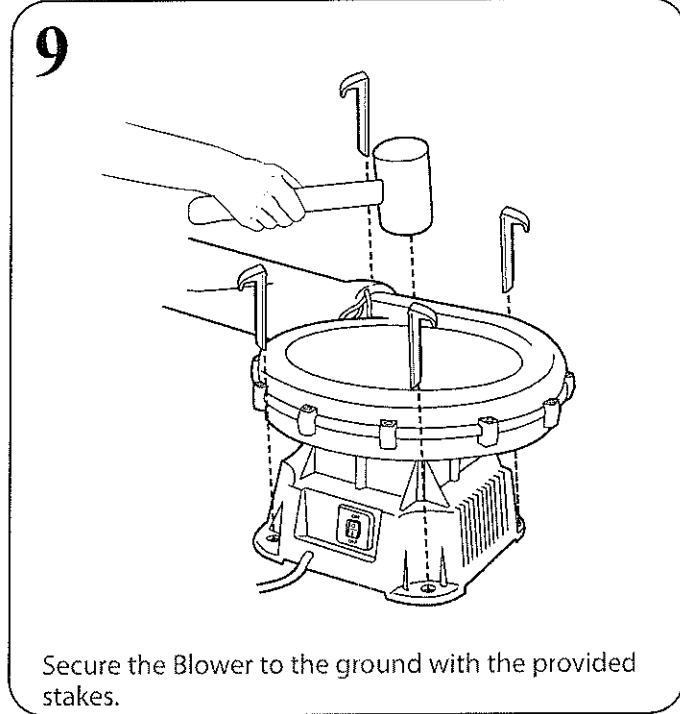
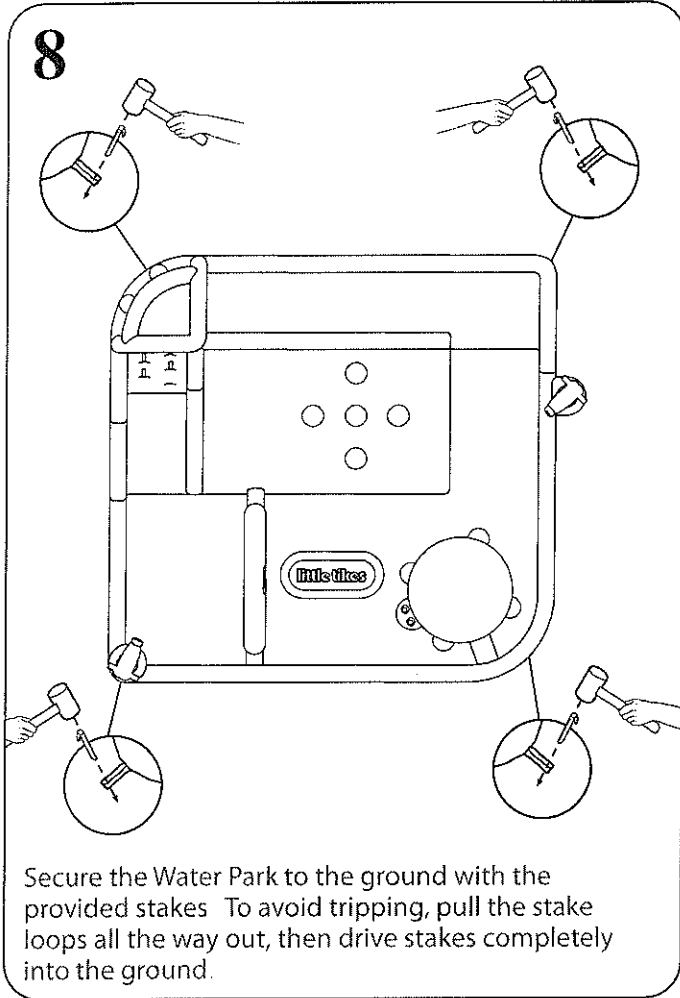
7



Water Park will inflate in 2 - 3 minutes. Blower should remain on to continuously inflate the Water Park during use. Air flow through seams is normal. Do not try to repair or seal seams
 NOTE: You may need to lift the yellow arch to help it stand up.

Inflating the Water Park

⚠ CAUTION: DO NOT let children play on the water park until it is fully inflated!

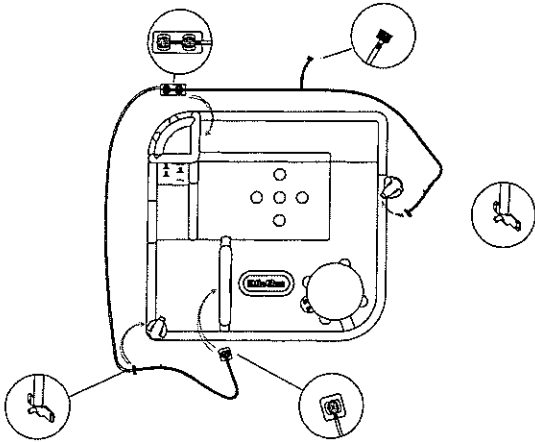


⚠ WATER PARK CAUTIONS

- Drive ground stakes completely into the ground to avoid tripping hazard.
- Do not use the Water Park until an Adult has assembled, staked down, and fully inflated it.
- Do not set up or inflate the Water Park in windy and/or rainy conditions as wind gusts may cause the slide to become unstable and possibly be lifted from the ground.

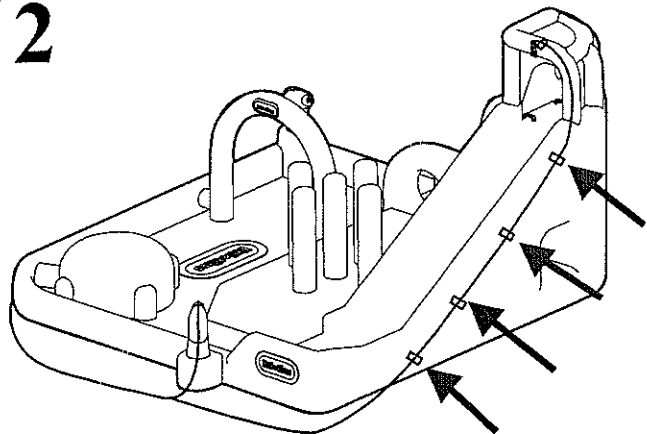
Water Park Spray Assembly, Part 2

1



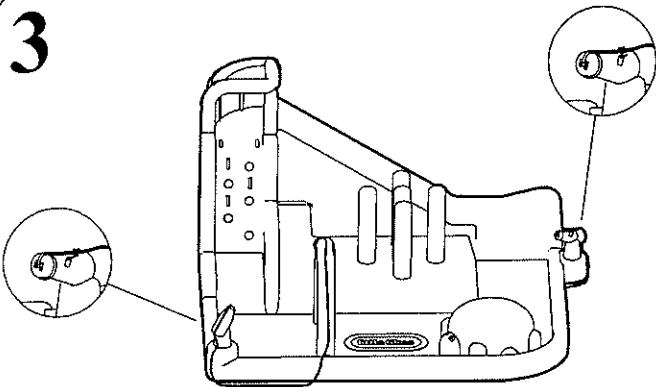
Make sure that the Hose Assembly is still oriented as shown.

2



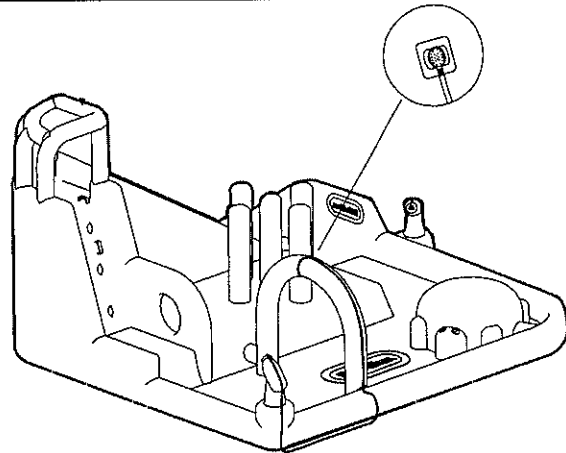
Connect the Tubing to the hook and loop fasteners down the side of the slide.

3



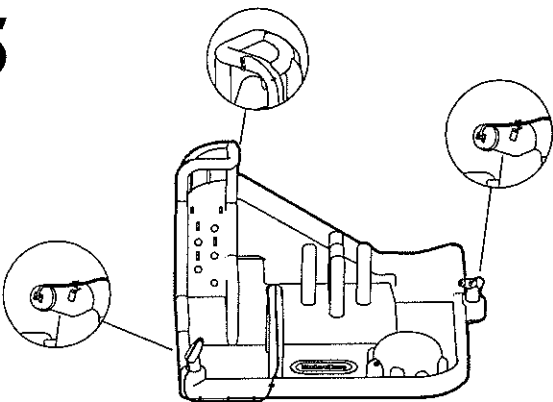
Connect the Single Hole Sprayers and valves to the water cannons with hook and loop fasteners as shown.

4



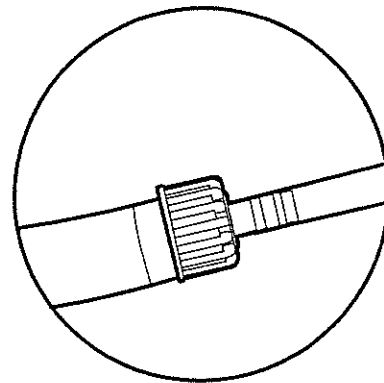
Attach the final Sprayer to the yellow arch with hook and loop fasteners as shown

5



Make sure that the Tubing Assembly is securely attached to the Water Park sides, water cannons and arches with hook and loop fasteners.

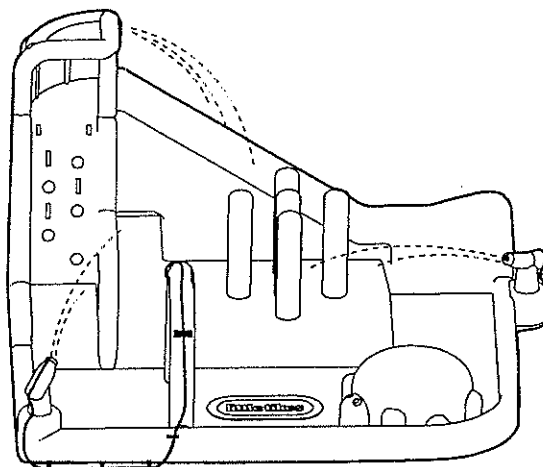
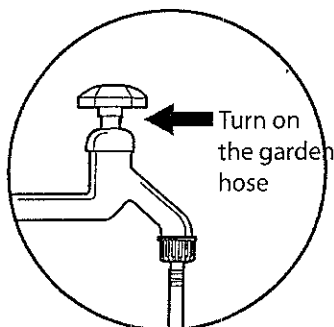
6



Attach a garden hose to the end of the Tubing Assembly behind the slide

Water Park Spray Assembly, Part 2

7



Turn on the garden hose and adjust the pressure as desired. Make sure that a steady spray of water comes out of the sprayer and keeps the slide wet.

CAUTION

WATER DEPTH NOT TO EXCEED THIS LINE!

CAUTION: DO NOT FILL THE POOL AREA ABOVE THE LINE AS MARKED ON THE POOL WALL.

Playing in the Water Park

NOTE: It is normal to see air bubbles rising from the pool floor and other wet areas of the Water Park.

SLIDING

1. Climb up the climbing wall to the top of the slide.
2. Sit at the top with your feet pointing down the slide.
3. Scoot forward and slide down into the splashdown area.
4. DO NOT slide down on your stomach or head first.

⚠ CAUTION:

- To avoid the risk of injury, ALWAYS slide down the slide feet first. NEVER slide down on your stomach or head first.
 - Only one child should climb up the climbing wall at a time.
 - Only one child should slide at a time.
 - Maximum overall weight allowed on the slide = 350 lbs.
 - NEVER slide down the slide until the splashdown area is clear.
 - NEVER slide or jump down the Climbing Wall.
5. After you have landed, move away from the splashdown area and try some of the other features of the Water Park!

WATER CANNONS

1. Stand behind the water cannon.
2. Adjust the valve lever to the desired pressure.
3. The water cannon base is flexible to allow you to aim the cannon up, down, left or right.

OTHER FEATURES

- Crawl under the big yellow arch for a quick shower!
- Make your way through the forest of red bop-bags!
- Lounge and relax on the green turtle's shell - he doesn't mind!
- Find the secret tunnel under the slide and make your escape!

Water Signs in Water Park

IMPORTANT:

To avoid serious injury and death, heed all warning Signs that are printed on the Water Park. These signs are shown below:

! DANGER

NO DIVING OR JUMPING SHALLOW WATER

DIVING MAY RESULT IN PERMANENT INJURY OR DEATH

- BE SAFE SWIM WITH A FRIEND.
- CHILDREN MUST BE ACCOMPANIED BY AN ADULT.
- DON'T SWIM WHEN USING ALCOHOL OR DRUGS
- BE FAMILIAR WITH THE POOL BEFORE SWIMMING.
- NO RUNNING, JUMPING, OR HORSEPLAY IN OR AROUND POOL
- NO GLASS IN POOL AREA.

TO AVOID SERIOUS INJURY ALL POOL USERS MUST KNOW AND FOLLOW THESE SAFETY RULES.

WARNING:
NEVER JUMP OR DIVE FROM ANY PART OF THE WATER PARK !

DO NOT GO DOWN THE CHUTE BACKWARDS

NO DIVING, BACKFLIPS OR SOMERSAULTS

WARNING:
ONLY SLIDE DOWN THE WATER PARK IN A SITTING POSITION WITH FEET IN FRONT OF YOU.

DANGER
SLIPPERY

DANGER
TRIP HAZARD

WARNING:
BE CAREFUL! MANY OF THE WATER PARK SURFACES ARE SLIPPERY AND MAY PRESENT A TRIPPING HAZARD.

CAUTION

THIS IS A LOUNGE NOT INTENDED FOR BOUNCING.

WARNING:
DO NOT STAND, BOUNCE OR JUMP ON THE TURTLE. IT IS MEANT FOR LOUNGING ONLY

Maximum number of children on slide and pool area: 3
Nombre maximal d'enfants sur la glissade et dans la piscine: 3

WARNING:
MAXIMUM NUMBER OF CHILDREN ON SLIDE AND POOL AREA: 3

NO OUTDOOR FOOTWEAR

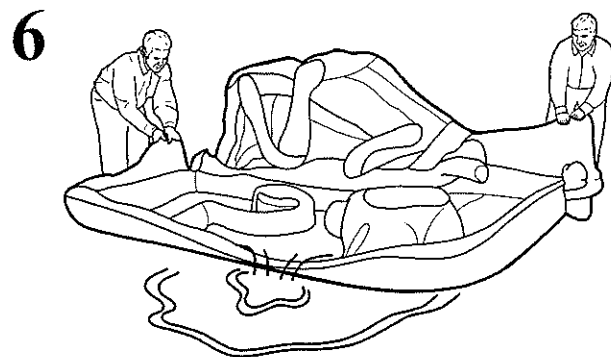
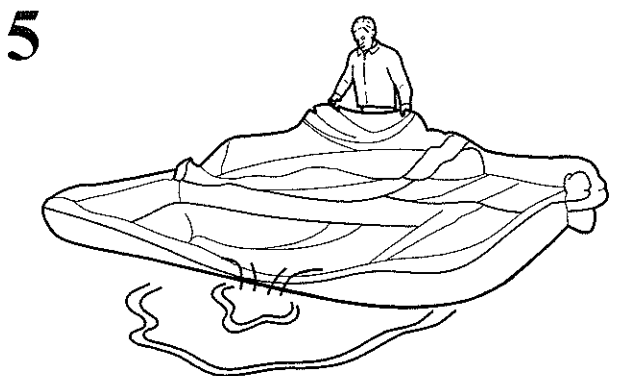
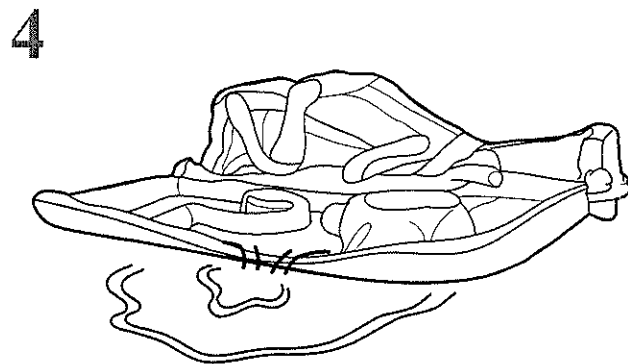
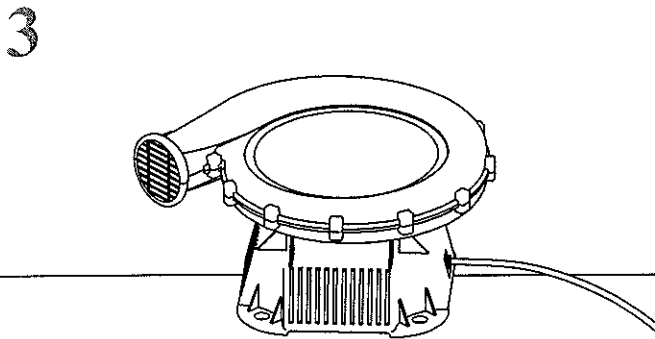
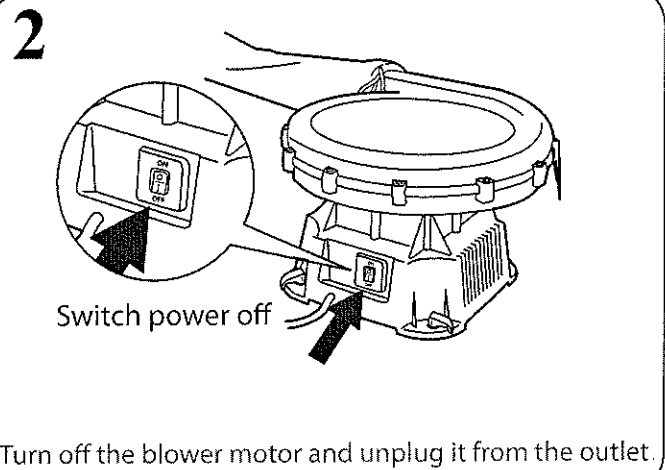
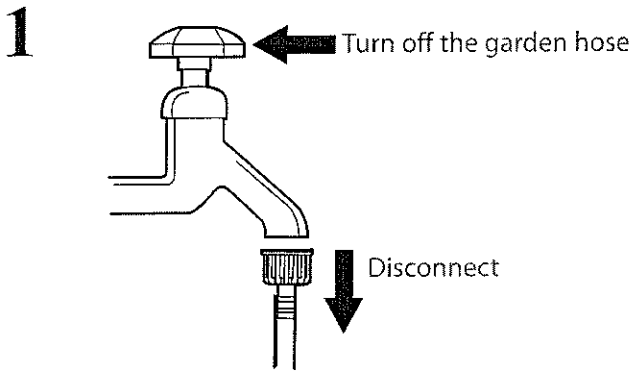
WARNING:
DO NOT USE OUTDOOR FOOTWEAR ON ANY PART OF THE WATER PARK AS THE WATER PARK MAY BECOME DAMAGED.

Draining, Deflation & Storage

IMPORTANT – Inflatable Water Park **MUST** be drained of all water and be **COMPLETELY DRY** before storage in order to avoid mold and mildew. **DO NOT** fold and store Water Park if any moisture remains.

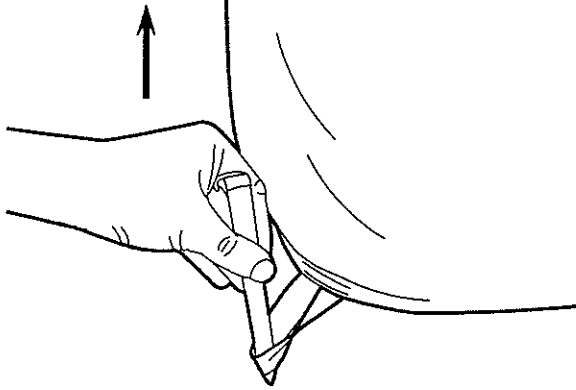
IMPORTANT – Remove all children from Water Park before deflation or draining water.

NOTE – For best results, 2 - 3 people should drain and move the Water Park.



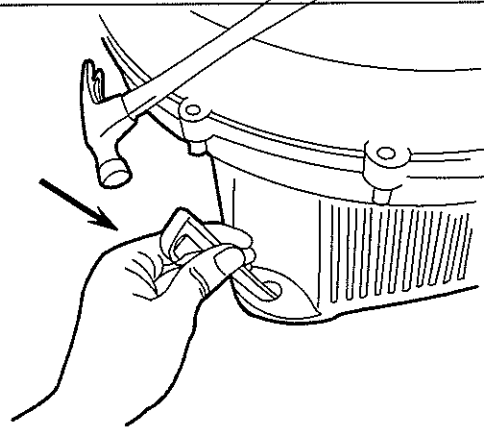
Deflation & Storage

7



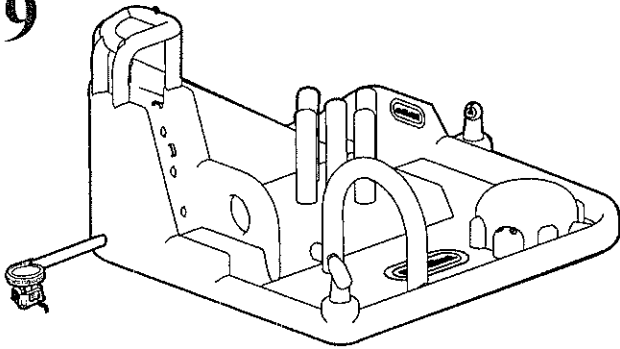
Remove stakes and drag the Water Park away from the drained water to a dry area.

8



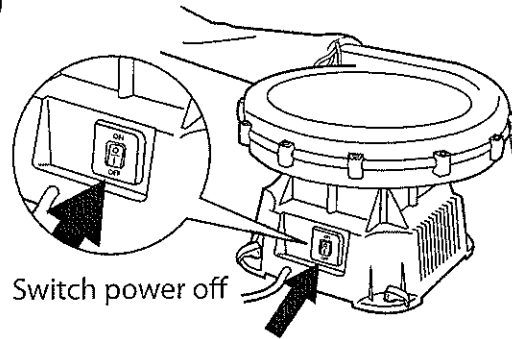
Re-stake the Water Park and the blower, tie the Outlet tube to the blower, then reattach and power up the blower.

9



Leave the Water Park inflated until all remaining water has evaporated and the Water Park is dry. This may take 2 hours or more depending on weather conditions.

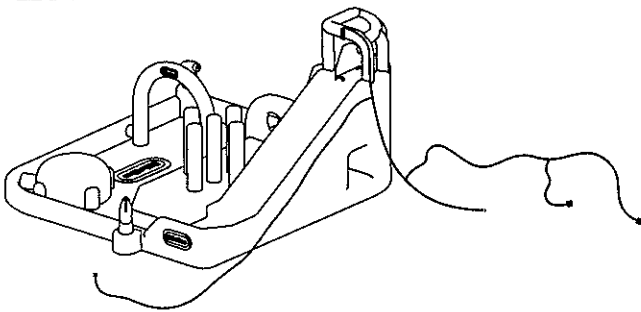
10



Switch power off

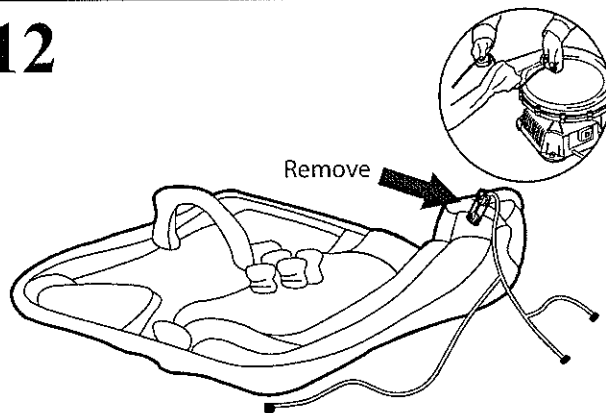
Once the Water Park is completely dry, turn off blower motor and unplug it from the outlet.

11



Remove and drain the Hose Assembly from the Water Park except for the red archway

12

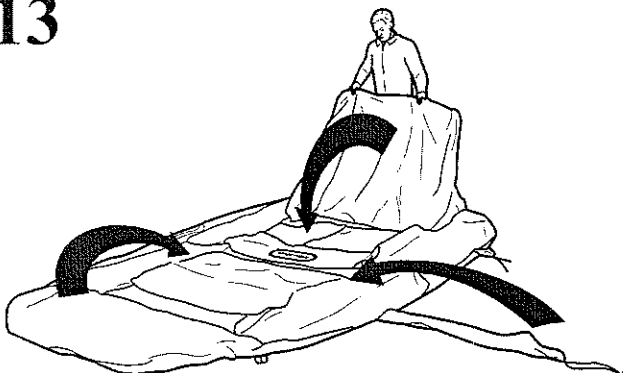


Remove

Untie the drawstring from the short Outlet Tube and allow the Water Park to fully deflate. Remove the Hose Assembly from the arch and wrap it up with no kinks

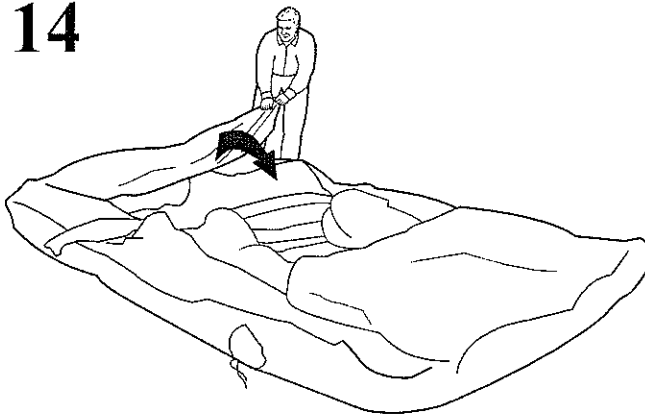
Draining, Deflation & Storage

13



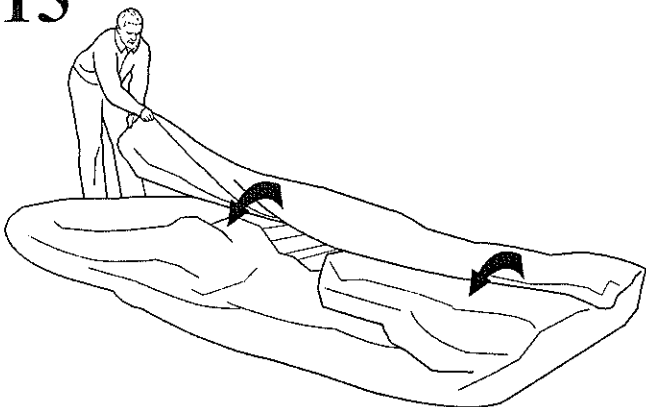
Fold all pieces of the Water Park (i.e. Slide, Air Inlet Tube, etc.) toward the center.

14



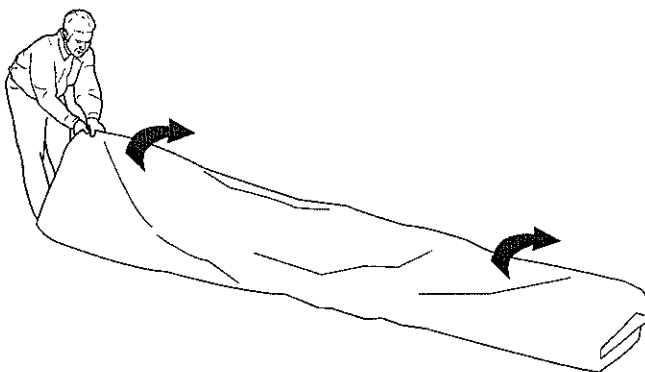
NOTE: Do not place the Water Spray Tubing inside the Water Park when rolling it up

15



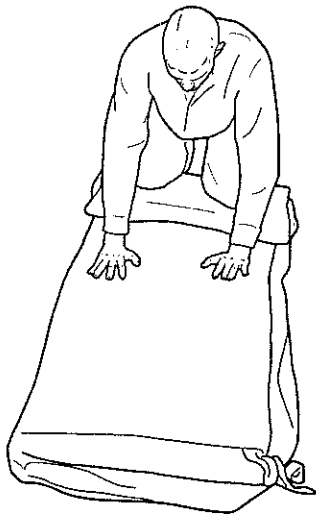
Fold the Water Park in half.

16



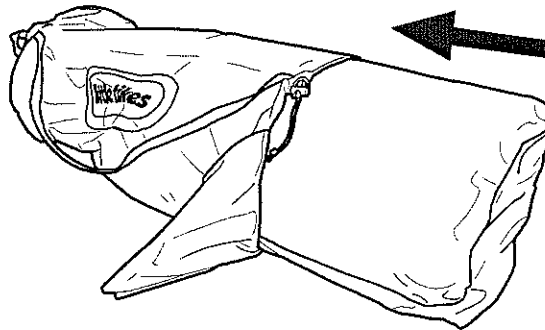
Then fold the Water Park in half again.

17



Roll up the Water Park tightly and compress the fabric to expel all of the remaining air.

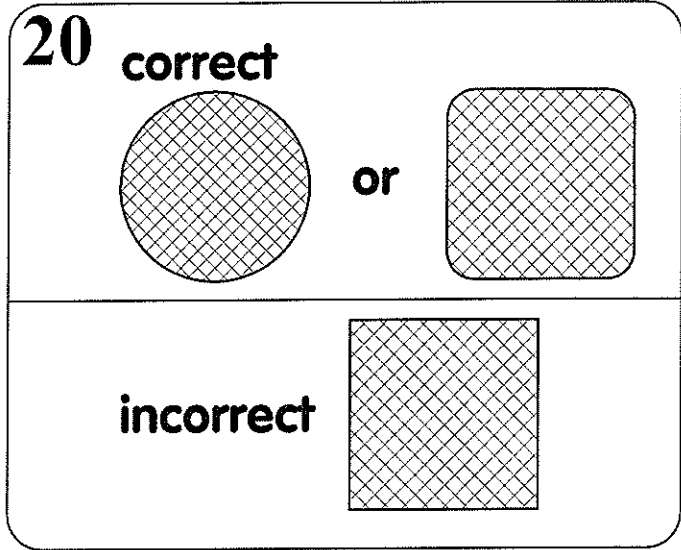
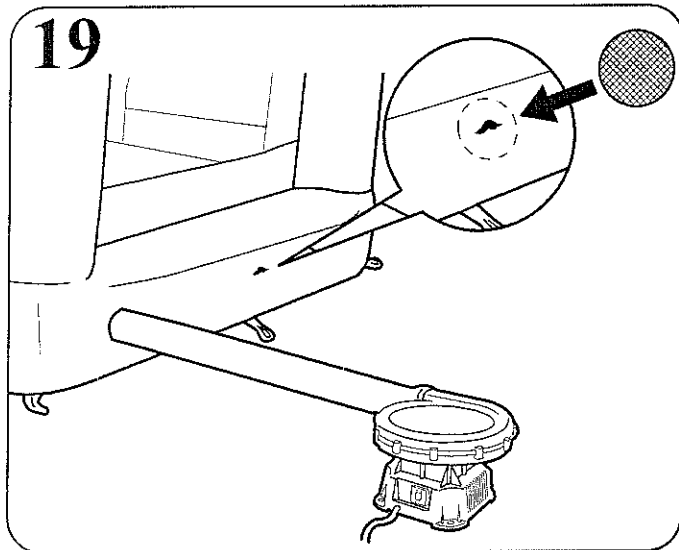
18



Wrap the Carrying Bag around the rolled-up Water Park.

Repair Kit Instructions

⚠ WARNING: NOT A TOY. ADULT USE ONLY
Repair kit. Keep away from children.



WARNING: Patches are for Adult use and application only. KEEP OUT OF REACH OF CHILDREN.

REPAIR PATCH INSTRUCTION

- 1 Deflate the item, clean the patch area and allow it to dry thoroughly.
- 2 Cut a portion of the patch allowing approximately 1 ½" of excess patch material on all sides of the opening to be patched and round the corners (See Fig. 19 and 20).
- 3 Remove the adhesive backing from the patch material, position the patch over the damaged area and smooth out any bubbles with a paper towel.

Maintenance

- Product should be periodically examined for potentially unsafe conditions such as damaged cord, plug, housing, or parts, and in the even such damage is found, the product should not be used until properly repaired.
- Product should never be stored wet. Allow to dry before rolling up.
- Surface washable only

Disposal

- Disassemble and dispose of the equipment in such a manner that no hazardous conditions exist at the time the equipment is discarded

Instructions for Blower Maintenance

- Do not plug and connect the blower from the power supply before servicing.
- Product should be periodically examined for potentially unsafe conditions such as damaged cord, plug, housing, or parts, and that in the even such damage is found, the product should not be used until properly repaired.
- The fan does not require any lubrication and has no user serviceable parts. Do not attempt to service the blower.
- Do not immerse the blower in water. To clean, wipe with a damp cloth
- Regularly check the intake and output openings and keep free of dirt, leaves, etc
- When not in use, store the blower indoors in a dry place.
- Do not store outside when not in use.
- Store the blower upright on a stable surface
- Loosely coil the cord and place it beside the blower.
- When in use, do not place the cord across traffic areas, water or damp areas
- The blower is a high volume blower, and is capable of moving lots of air very quickly. Place the blower in an area where it will not suck in dirt or leaves.

Please keep this manual as it contains important information.



TM & © The Little Tikes Company,
An MGA Entertainment Company.
LITTLE TIKES™ and all related logos, names, characters,
distinctive likenesses and slogans are the exclusive
property of The Little Tikes Company.
Little Tikes Consumer Services
2180 Barlow Road
Hudson, OH 44236 USA
Printed in China

Visit us at www.littletikes.com

0107-1