



**Tactical Support Equipment**  
www.tserecon.com

# Elevated Multi-Band Antenna and Mast (3 Radio)

The **TSE-ANT-EMB-MST-3** is a tactical 3-Radio, single-port antenna with Mast that covers 30-88 MHz, 225-450 MHz and 1200-2000 MHz. It is a one piece tactical antenna designed for use with all modern in service radios covering the band from 30-88 and 225-450 MHz. The extra port covering the modern SRW, ANW2, TSM-X, Wave Relay and Silvus waveforms allows for a full network centric system. Simultaneous transmit and receive.

The modern design gives improved gain and radiation characteristics across the full frequency range. For urgent use or stealth requirements, the antenna can also be sat on the ground with only the tripod support, without the mast.

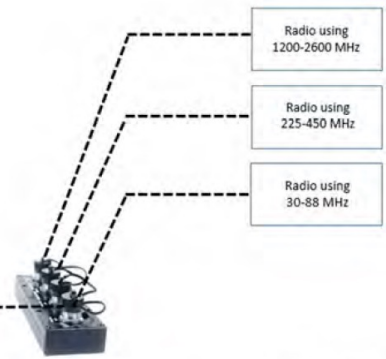
Includes a Triplexer to allow operators to combine multiple carrier frequencies onto a single run of coax, resulting in reduced cost, lower wind-loads and reduced weight. The antenna is the easiest and quickest antenna of this type to mount. All the parts needed to erect a high gain tactical antenna are supplied in the transit bag.



Three radio communication ports from one elevated antenna:

- 1 x VHF (30-88 MHz)
- 1 x UHF (225-450 MHz)
- 1 x L-S Band (1200-2600 MHz)

\* Simultaneous transmit or receive



Antenna and mast kit supplied in one compact carrying bag



Antenna and mast kit contents

## Part #: TSE-ANT-EMB-MST-3

### Features

- Triplexer to reduce Cabling and Weight
- Easy to Erect in less than 10 mins
- 1-Year Warranty
- 75 Watts Power Handling
- Replaces the COM201B & OE-254
- One antenna handles three Bands

**Tactical Support Equipment Inc.**  
4039 Barefoot Road  
Fayetteville, NC 28306  
[www.tserecon.com](http://www.tserecon.com)

For More Information  
Contact [sales@tserecon.com](mailto:sales@tserecon.com)

**Phone: 800.889.4030**  
**Phone: 910.425.3360**  
**Fax: 910.425.3361**

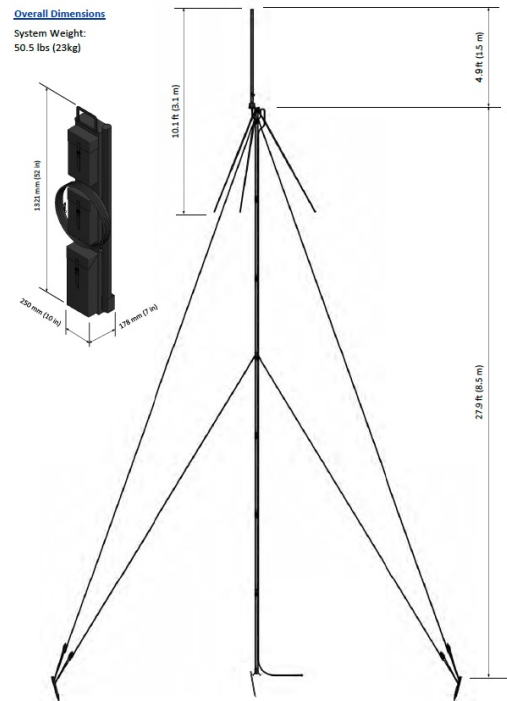
## Specifications (TSE-ANT-EMB-MST-3):

### Antenna and Tripod Assembly

<b>Frequency Range:</b>	VHF: 30-88 MHz	UHF: 225-450 MHz	L-S Band: 1200-2600 MHz
<b>VSWR:</b>	VHF: < 3.5	UHF: < 3.0	L-S Band: < 3.0
<b>Nominal Impedance:</b>	50Ω		
<b>Power Rating:</b>	VHF: 75W	UHF: 75W	L-S Band: 50W
<b>Radiation Pattern:</b>	Omnidirectional within ±2dB		
<b>Polarization:</b>	Vertical		
<b>Connector:</b>	N Type Female		
<b>Design:</b>	VHF monopole, UHF dipole, L-S band dipole elements. Radiating elements completely enclosed in epoxy/fiberglass laminate. Metal parts are brass, aluminum and stainless steel.		
<b>Height</b>	10ft. (3.1m) – Antenna + Tripod		
<b>Weight</b>	Whip: 3.1 lbs. (1.4 kg), Tripod: 8.3 lbs. (3.8 kg)		
<b>Temperature Range</b>	-55°C to +71°C (-67°F to +160°F)		

#### Overall Dimensions

System Weight:  
50.5 lbs (23kg)



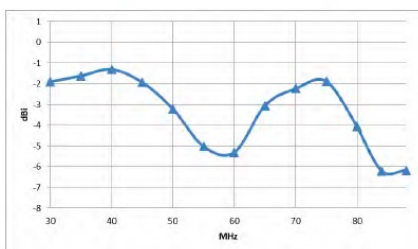
### Mast

<b>Mast Sections:</b>	Fiberglass tube outside diameter Ø1.75in (Ø44.5mm), 52in (132cm) long. Green, Tan or Black paint finish
<b>Guy:</b>	4 x Upper and 4 x Middle, 1/8 in braided line on winder with adjustable lock/snap hooks each end
<b>Guy Pegs:</b>	5 pcs powder coated steel
<b>Base Support:</b>	Baseplate
<b>Wind Speed (Max):</b>	60 mph (96 km/h), including gust
<b>Weight:</b>	32.7 lbs. (14.9 kg)
<b>Temperature Range</b>	-55°C to +55°C (-67°F to +131°F)

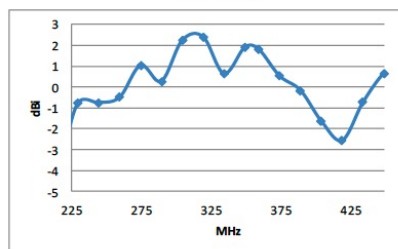


**Triplexer**  
(Combines three radio/frequency bands into a single antenna port)

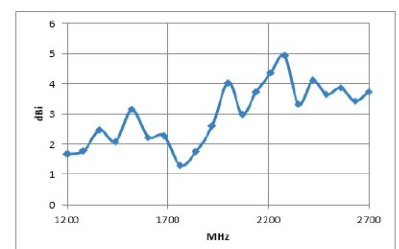
VHF gain, dB rel. 1/4 wave resonant whip.



UHF gain, dBi



L-S band gain, dBi



**Tactical Support Equipment Inc.**  
4039 Barefoot Road  
Fayetteville, NC 28306  
[www.tserecon.com](http://www.tserecon.com)

For More Information  
Contact [sales@tserecon.com](mailto:sales@tserecon.com)

**Phone: 800.889.4030**  
**Phone: 910.425.3360**  
**Fax: 910.425.3361**