



Installation Manual

for

Safe Cracker Hinge Kit
with doors (330.128.000)

and

Safe Cracker Hinge Kit
(330.129.000)

Version 1.0 June 24, 2023



Contents

Warnings and Agreements	2
1. What's included in the Kits	3
Safe Cracker Hinge Kit with Doors	3
Safe Cracker Hinge Kit	3
1. Requirements	4
2. Preparation	4
3. Back box installation for machines without doors	5
4. Decals	7
5. Door hinge installation for machines with existing doors	8
6. Adjustments	9
7. Closing Statements	9

Warnings and Agreements

Welcome! The Pinnovators Safecracker kit has been designed for simplicity of installation! As with any pinball machine modification and add on kit there is a required level of expertise for the installation. If you are not proficient in basic pinball parts installation, we recommend having our kit installed by someone who is proficient with the basics of pinball repair. Pinnovators requires our kit to be installed by an experienced pinball service technician with basic electrical skills. As with any electrical piece of equipment a danger does exist and you must agree not to hold Pinnovators responsible for any injury, damages, etc. before continuing.



Power Cord: ALWAYS UNPLUG THE POWER CORD for safety when working on your pinball machine!






Playfield Propping: Pinnovators highly advise following playfield propping instruction for your pinball machine. These instructions are typically found inside the Operators Manual for each machine. Failure to follow these instructions can cause fatal injuries or even death. Pinnovators also recommends having an assistant hold a propped playfield in the up position when servicing under the playfield.

1. What's included in the Kits

Safe Cracker Hinge Kit with Doors

Item	Part Number	Picture
1 & 2 Doors	Left: 600.067 Right: 600.068	
3. Hardware Kit: Black 8/32 x 3/4 Machine Screw	600.065	

Safe Cracker Hinge Kit

Item	Part Number	Picture
1. Hinge assemblies	600.066	
2. Hardware kit	600.070	
3. Hardware kit: Black 8/32 x 3/4 Machine Screw	600.065	

1. Requirements

Tools: Phillips screwdriver. Some systems may require a security bit to remove the attached doors.

2. Preparation

Unplug the pinball machine!

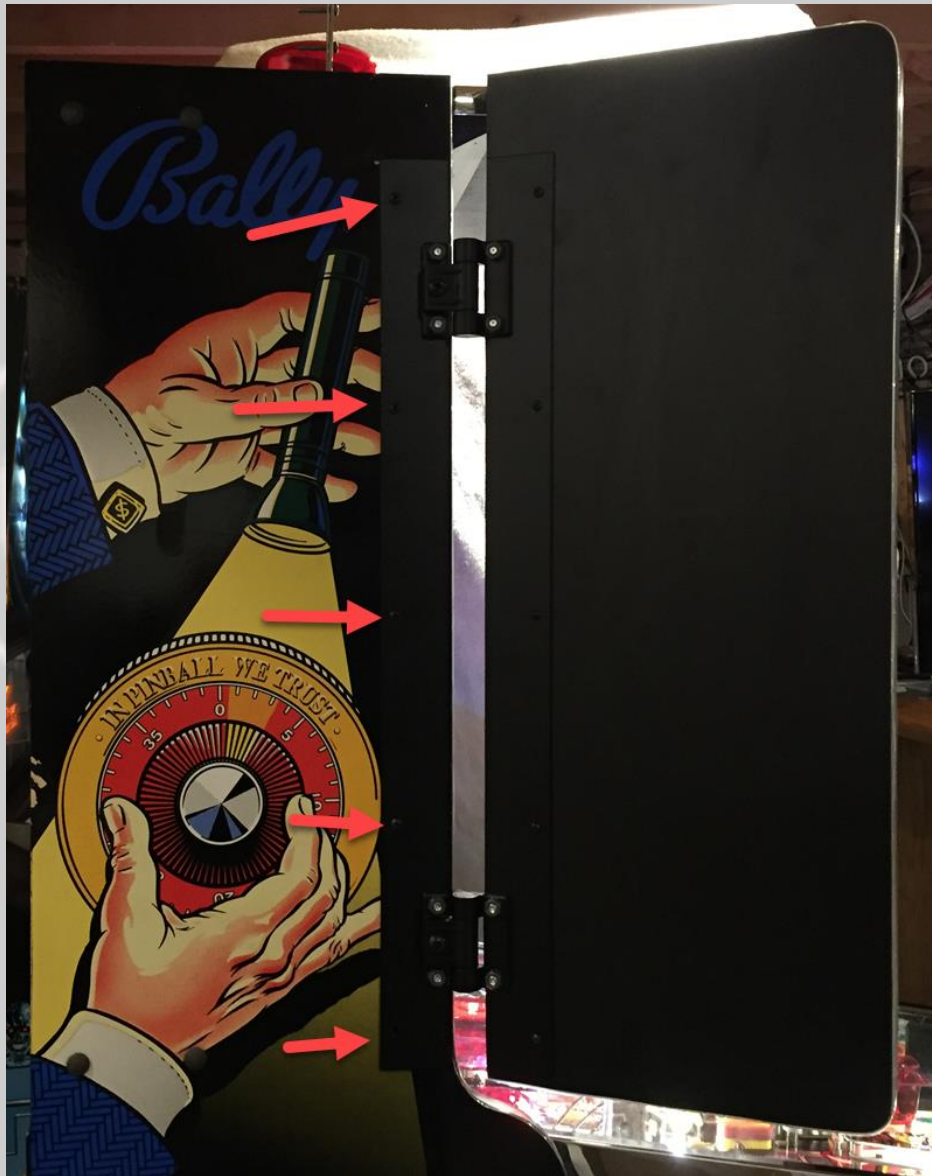


3. Back box installation for machines without doors

Remove the five mounting screws on each side of the backbox. Some machines may have security screws in these locations. You can try and use a small tipped screwdriver to remove those security screws.




Install the left door panel as shown using the included black 8/32 x 3/4 machine screws (Item #3). If for some reason your machine does not have the factory holes on the back box you can use the included black sheet metal screws to attach the doors.




Install the right door the same manner.

4. Decals

Decals are available on eBay.

Shop by category All Categories Advanced

[back to home page](#) | Listed in category: [Collectibles & Art](#) > [Arcade, Jukeboxes & Pinball](#) > [Arcade Gaming](#) > [Replacement Parts](#) Share [Add to Watchlist](#)



Safecracker Pinball Wings Decal :Next Generation Printing! : Mr Pinball

Condition: **New**

Quantity: 4 available / 3 sold

Price: **AU \$110.00**
Approximately US \$73.44

[Buy it Now](#)


[Add to cart](#)

[Add to watchlist](#)

Shop with confidence

eBay Money Back Guarantee
Get the item you ordered or your money back.
[Learn more](#)

Seller information


[pinball-sales](#) (2825) 
100% positive feedback


[Save seller](#)

[Contact seller](#)

[Visit store](#)

[See other items](#)

 **People are checking this out.** 6 have added this to their watchlist.

Shipping: AU \$28.00 (approx US \$18.69) Standard International Flat Rate Postage. [See details](#)
International shipment of items may be subject to customs processing and additional charges. 
Located in: Victoria, Australia

5. Door hinge installation for machines with existing doors

Remove the existing left and right doors by removing the five mounting screws on each side of the back box. Some machines may have security screws in these locations. You can try and use a small tipped screwdriver to remove those security screws.



Remove the angle brackets from the back of the doors.

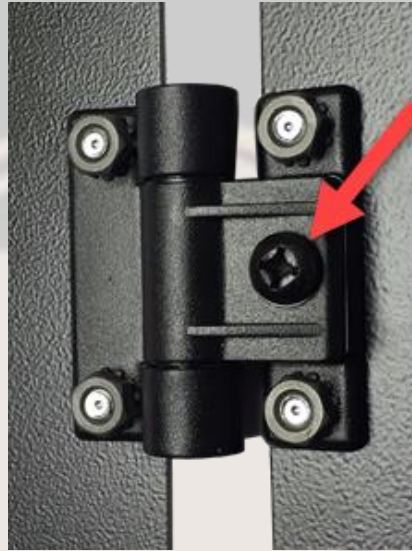
Attach the new Pinnovators brackets to the doors using the original hardware or the included screws in your kit. (Item #2)

Install the left door panel as shown using the included black 8/32 x 3/4 machine screws (Item #3). If for some reason your machine does not have factory holes in the back box you can use the included black sheet metal screws to attach the doors.



6. Adjustments

The door friction can be adjusted using the large Phillips screw on the hinges. The hinges friction is set for a reasonable amount but you may want to adjust it to your liking.



7. Closing Statements

We appreciate your business!

Thank you for purchasing our products. We try our best to make pinball products that we find useful and sell them for a fair price. We keep our eyes open for useful pinball product ideas we are pinball people too!

Warranty and repairs

Pinnovators will stand behind everything we sell. If our product ever fails, contact us and we will make it right!
(Even if you didn't make the original purchase or break our product)

Contact Us

Please contact us with any ideas or suggestions for making our products better!

We can be reached at: Sales@Pinnovators.com

Thanks,

The Pinnovators team