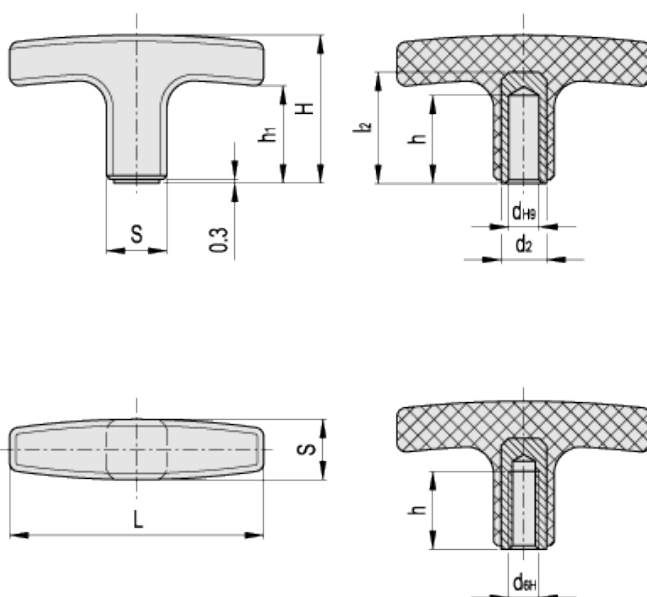


# L.652

## Handles



ELESA Original design



\* Complete with colour index, example: 32447 L.652/67 B-M8-C2



Elesa Standards			Description	Main dimensions						Mounting hole			F	Weight
C9	C2	C6		L	S	H	h <sub>1</sub>	l <sub>2</sub>	d <sub>2</sub>	d <sub>H9</sub>	d <sub>6H</sub>	h	[N]	g
Code														
32421	-	-	L.652/40 B-6*	40	13x13	30	20	23	9	6	-	18	2500	16
32426	-	-	L.652/40 B-M6*	40	13x13	30	20	-	-	-	M6	16	2500	16
32431	-	-	L.652/55 B-6*	55	15x15	33	22	27	10	6	-	18	3300	27
32436	-	32438	L.652/55 B-M6*	55	15x15	33	22	-	-	-	M6	18	3300	27
32432	-	-	L.652/55 B-M8*	55	15x15	33	22	-	-	-	M8	20	3300	28
32441	-	-	L.652/67 B-6*	67	16,5x16,5	37	25	30	11	6	-	20	4500	38
32443	-	-	L.652/67 B-8*	67	16,5x16,5	37	25	30	11	8	-	20	4500	36

Elesa Standards				Main dimensions						Mounting hole			F	Weight
C9	C2	C6		L	S	H	h <sub>1</sub>	l <sub>2</sub>	d <sub>2</sub>	d <sub>H9</sub>	d <sub>6H</sub>	h	[N]	g
Code			Description											
32446	32447	32448	L.652/67 B-M8*	67	16,5x16,5	37	25	-	-	-	M8	20	4500	36
32451	-	-	L.652/80 B-6*	80	20x20	41	26	33	13	6	-	25	7000	58
32453	-	-	L.652/80 B-8*	80	20x20	41	26	33	13	8	-	25	7000	52
32456	-	-	L.652/80 B-M8*	80	20x20	41	26	-	-	-	M8	25	7000	50
32458	32459	32457	L.652/80 B-M10*	80	20x20	41	26	-	-	-	M10	25	7000	56
32460	-	-	L.652/80 B-M12*	80	20x20	41	26	-	-	-	M12	18	7000	62
32471	-	-	L.652/95 B-6*	94	21x21	46	28.5	33	13	6	-	25	8000	74
32478	-	-	L.652/95 B-M10*	94	21x21	46	28.5	-	-	-	M10	25	8000	70
32480	-	-	L.652/95 B-M12*	94	21x21	46	28.5	-	-	-	M12	18	8000	66

#### Material

Glass-fibre reinforced polyamide based (PA) technopolymer. Resistant to solvents, oils, greases and other chemical agents.

#### Colour

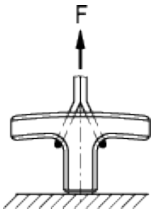
Black, orange, red, matte finish.

#### Standard execution

Brass boss, plain or threaded blind hole.

#### Technical data

Tensile stress: F values reported in the table are the result of breaking tests carried out with the appropriate dynamometric equipment under the test conditions shown in the figure with ambient temperature.



**elesa**

STANDARD MACHINE ELEMENTS WORLDWIDE

ELESA models all rights reserved in accordance with the law. Always mention the source when reproducing our drawings.