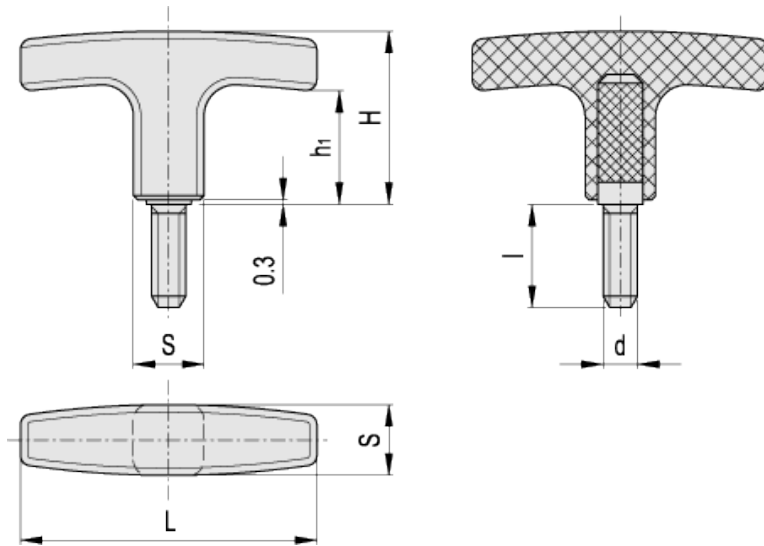


L.652 p

Handles



ELESA Original design



Elesa Standards		Main dimensions				Threaded stud		F	Weight
Code	Description	L	S	H	h_1	d_{eg}	l	[N]	g
32429	L.652/40 p-M6x20	40	13x13	30	20	M6	20	2500	17
32439	L.652/55 p-M8x20	55	15x15	33	22	M8	20	3300	28
32449	L.652/67 p-M8x25	67	16,5x16,5	37	25	M8	25	4500	38
32461	L.652/80 p-M10x20	80	20x20	41	26	M10	20	7000	52
32462	L.652/80 p-M10x30	80	20x20	41	26	M10	30	7000	58
32943	L.652/95 p-M12x30	94	21x21	46	28.5	M12	30	8000	68

Material

Glass-fibre reinforced polyamide based (PA) technopolymer. Resistant to solvents, oils, greases and other chemical agents.

Colour

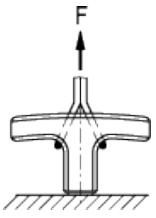
Black, matte finish.

Standard execution

Zinc-plated steel threaded stud, chamfered flat end UNI 947 : ISO 4753 (see [Technical Data](#)).

Technical data

Tensile stress: F values reported in the table are the result of breaking tests carried out with the appropriate dynamometric equipment under the test conditions shown in the figure with ambient temperature.



STANDAARD MACHINE ELEMENTS WORLDWIDE

ELESA models all rights reserved in accordance with the law. Always mention the source when reproducing our drawings.