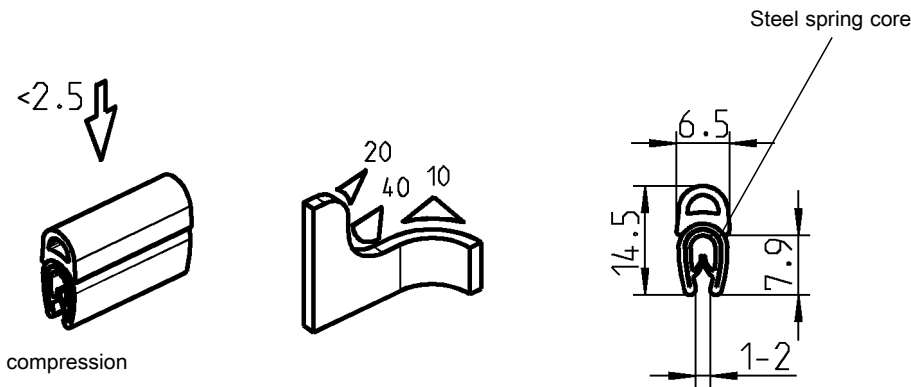
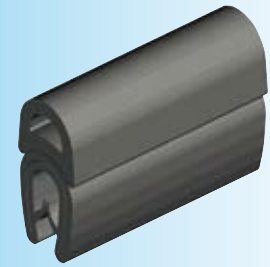


Self-gripping gasketing

PROGRAM 1011

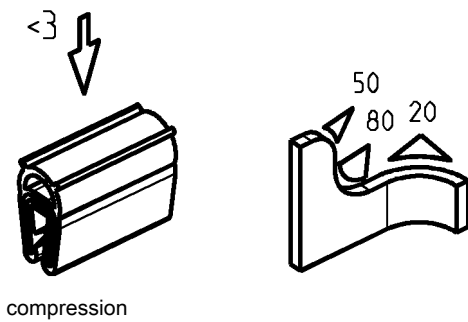


compression



Sponge-rubber (EPDM) black / Gasket PVC

1011-24

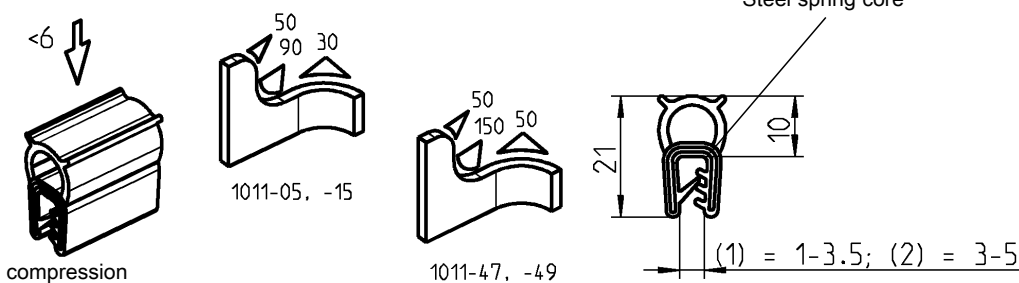


compression

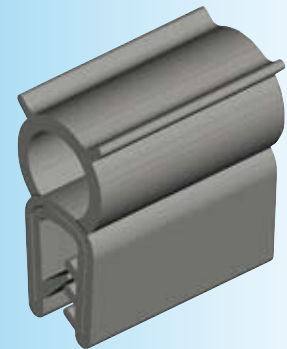


Material for gasket depends upon choice

Sponge-rubber (EPDM) black (gasket EPDM 65° ± 5 Shore)	1011-10*
Foam rubber (NBR) black (gasket NBR 60° ± 5 Shore A)	1011-50



compression



Material for gasket depends upon choice

	A	
Sponge-rubber (EPDM) black (gasket EPDM 65° ± 5 Shore)	20	1011-05* (1)
Foam rubber (NBR) black (gasket NBR 60° ± 5 Shore A)	21	1011-15 (1)
Sponge-rubber (EPDM) black (gasket EPDM 65° ± 5 Shore)	21	1011-49 (2)
Foam rubber (NBR) black (gasket NBR 60° p ± Shore A)	21	1011-47 (2)



UL 50
UL 50E
UL 94-HB