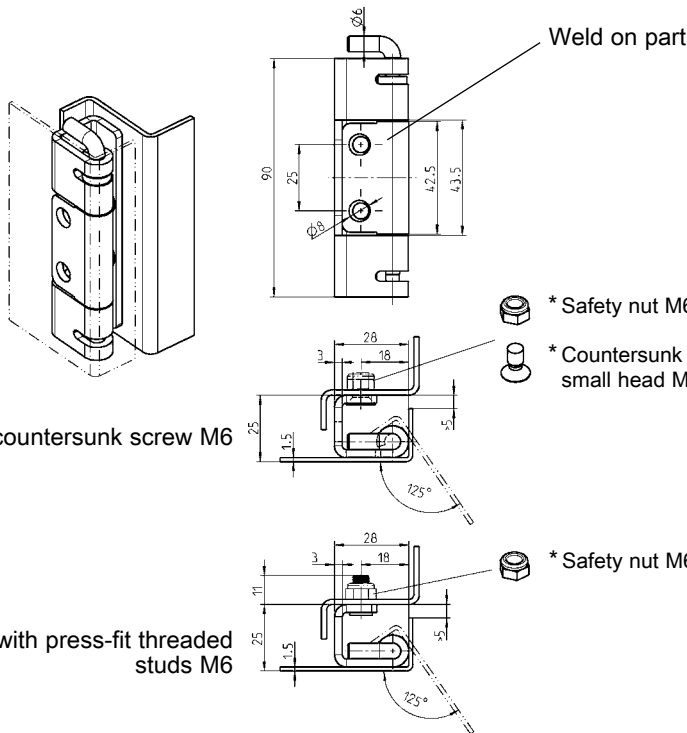


125° hinge with captive pin

PROGRAM 1031

125° hinge for single cabinets
for 25 mm door return



Hinge frame part, pin and threaded studs m.s. zinc-plated; door part m.s. raw;
pin clamping ring POM red

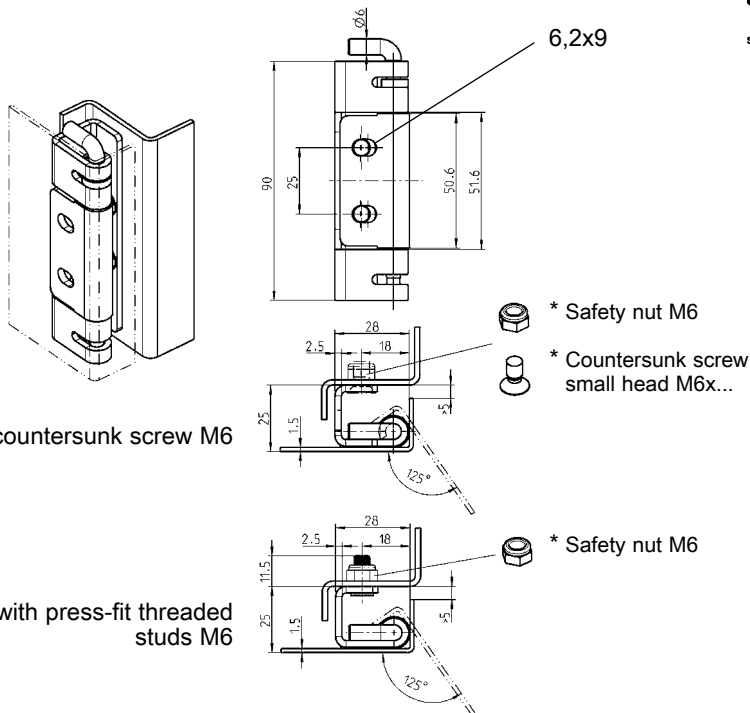
for countersunk small head M6

1031-U12

with press-fit threaded studs M6x15

1031-U19

125° hinge for single cabinets
for 25 mm door return



125° hinge AISI 304 or AISI 316Ti; threaded studs stainless steel; pin clamping ring POM red

AISI 304 for countersunk small head M6

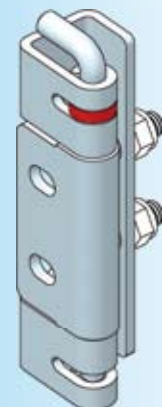
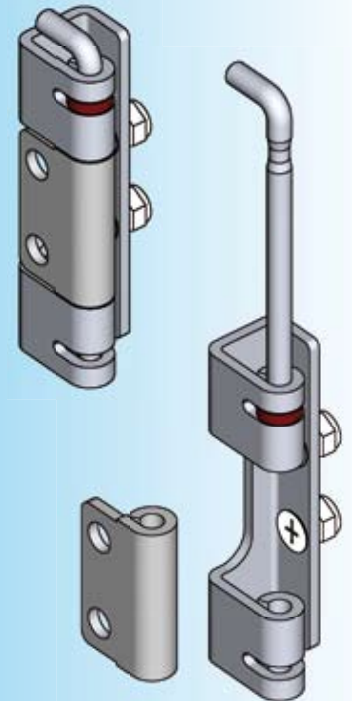
1031-U13

AISI 316Ti for countersunk small head M6

1031-U22

AISI 304 with press-fit threaded studs M6x15

1031-U20



* not included

small head = DIN ISO 2009, 2010, 7046-1, 7046-2, 7047