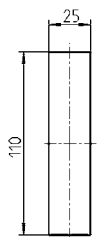
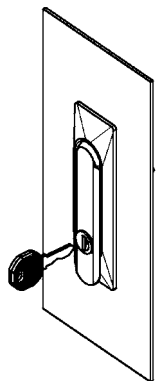


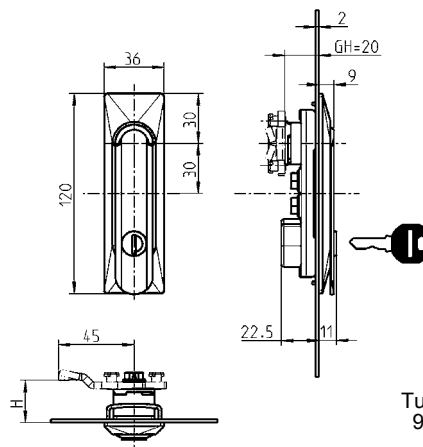
Swinghandle 1150

PROGRAM 1150

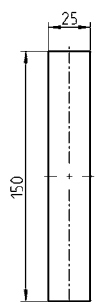
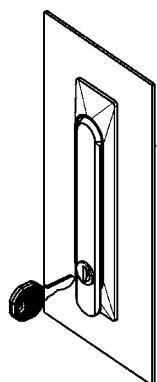
Version A (small)



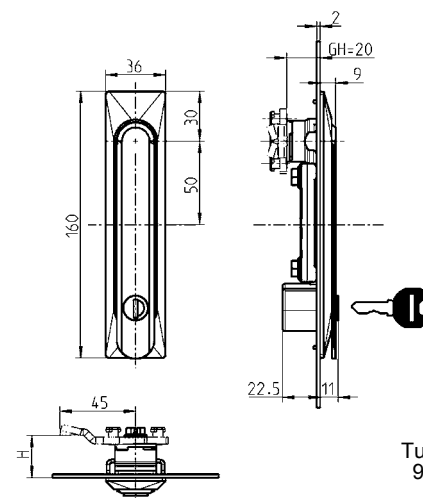
Cut out

Turn = Stroke
90° = 26 mm

Version B (normal)



Cut out

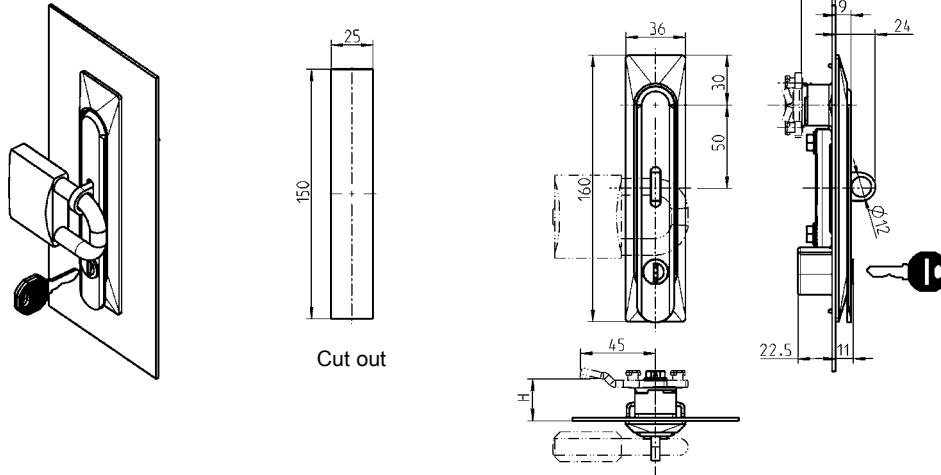
Turn = Stroke
90° = 26 mm

* EMC-Version 1150-U2-E

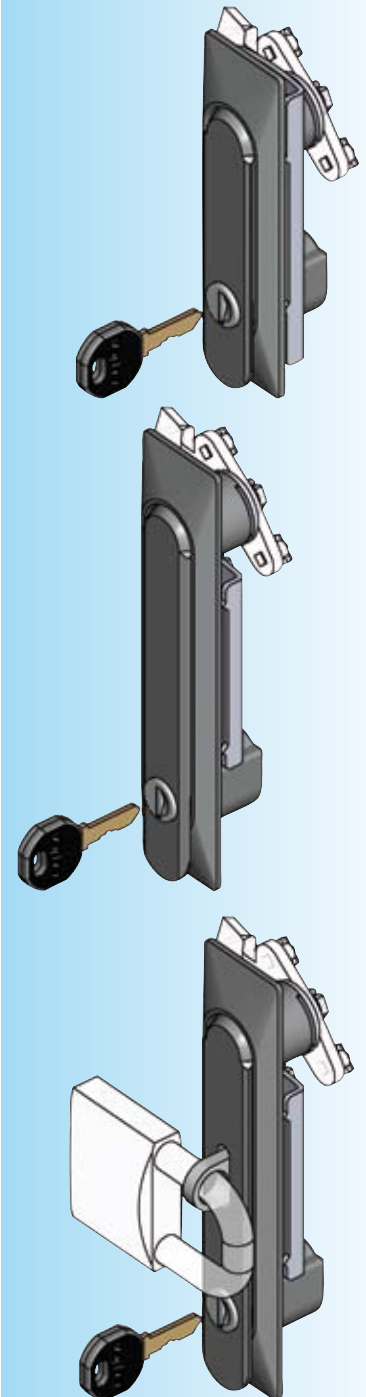
	Swinghandle zinc die black powder coated, round cylinder with stainless steel cap and shutter, fixing material m.s. zinc plated, shaft zinc die zinc plated, with seal, swinghandle is earthed		Swinghandle polyamide GF black, round cylinder with stainless steel cap and shutter, fixing material m.s. zinc plated, shaft zinc die zinc plated, with seal		Swinghandle zinc die black powder coated and es-cutcheon polyamide black, round cylinder with stainless steel cap and shutter, fixing material m.s. zinc plated, shaft zinc die zinc plated, with seal	
Version	A	B	A	B	A	B
keyed EK 333	1150-U1	1150-U2*	1150-U1-02	1150-U2-02	1150-U1-03	1150-U2-03
keyed different	1150-U3	1150-U4	1150-U3-02	1150-U4-02	1150-U3-03	1150-U4-03
Insert zinc die chrome pl.						
Square 6	1150-U20	1150-U9	1150-U20-02	1150-U9-02	1150-U20-03	1150-U9-03
Square 7	1150-U21	1150-U10	1150-U21-02	1150-U10-02	1150-U21-03	1150-U10-03
Square 8	1150-U22	1150-U11	1150-U22-02	1150-U11-02	1150-U22-03	1150-U11-03
Triangular 6,5 CNOMO	1150-U32	1150-U31	1150-U32-02	1150-U31-02	1150-U32-03	1150-U31-03
Triangular 7	1150-U23	1150-U12	1150-U23-02	1150-U12-02	1150-U23-03	1150-U12-03
Triangular 8	1150-U24	1150-U13	1150-U24-02	1150-U13-02	1150-U24-03	1150-U13-03
Double bit 3	1150-U25	1150-U14	1150-U25-02	1150-U14-02	1150-U25-03	1150-U14-03
Double bit 5	1150-U26	1150-U15	1150-U26-02	1150-U15-02	1150-U26-03	1150-U15-03
Daimler Benz	1150-U27	1150-U16	1150-U27-02	1150-U16-02	1150-U27-03	1150-U16-03
Slot 2x4	1150-U28	1150-U17	1150-U28-02	1150-U17-02	1150-U28-03	1150-U17-03
Hexagon 8 mm female with pin	1150-U29	1150-U18	1150-U29-02	1150-U18-02	1150-U29-03	1150-U18-03
Male hexagon 11 mm	1150-U30	1150-U19	1150-U30-02	1150-U19-02	1150-U30-03	1150-U19-03
Push button	on request	on request	on request	on request	1150-U55-03	on request



Version B for padlock



Each round cylinder has one silver steel key with polyamide grip GF black.



Swinghandle zinc die black powder coated, round cylinder with stainless steel cap and shutter, fixing material m.s. zinc plated, shaft zinc die zinc plated with seal, swinghandle is earthed

Version B for padlock

keyed EK 333	1150-U2-01
keyed different	1150-U4-01

Insert zinc die chrome pl.

Square 6	1150-U9-01
Square 7	1150-U10-01
Square 8	1150-U11-01
Triangular 6,5 CNOMO	1150-U31-01
Triangular 7	1150-U12-01
Triangular 8	1150-U13-01
Double bit 3	1150-U14-01
Double bit 5	1150-U15-01
Daimler Benz	1150-U16-01
Slot 2x4	1150-U17-01
Hexagon 8 female with pin	1150-U18-01
Hexagon 11 male	1150-U19-01
Push button	on request

Further parts see page

- Key 12B-120
- Spare key 12B-140
- Cam (GH = 20) 3YC-140

On request:
- handle blank
(no locking system)